

US00D520122S

(12) **United States Design Patent**
Kennard

(10) **Patent No.:** **US D520,122 S**

(45) **Date of Patent:** **** May 2, 2006**

(54) **FAUCET SPOUT**

(75) **Inventor:** **Dan Kennard**, Norcross, GA (US)

(73) **Assignee:** **Fusion Hardware Group, Inc.**,
Norcross, GA (US)

(**) **Term:** **14 Years**

(21) **Appl. No.:** **29/206,246**

(22) **Filed:** **May 28, 2004**

(51) **LOC (8) Cl.** **23-01**

(52) **U.S. Cl.** **D23/256; D23/238**

(58) **Field of Classification Search** **D23/238-257;**
4/675-678; 137/801

See application file for complete search history.

(56) **References Cited**

U.S. PATENT DOCUMENTS

D53,558 S	*	7/1919	Bloch	D23/241
D149,196 S	*	4/1948	Little et al.	D23/238
D227,762 S	*	7/1973	Arbon	D23/238
D311,438 S	*	10/1990	Strignano	D23/242

D321,039 S	*	10/1991	Robbins	D23/255
D350,183 S	*	8/1994	Joerger	D23/242
D380,809 S	*	7/1997	Warshawsky	D23/238
D465,270 S	*	11/2002	Gottwald	D23/257

* cited by examiner

Primary Examiner—Louis S. Zarfes

Assistant Examiner—Gregory Andoll

(74) *Attorney, Agent, or Firm*—Troxell Law Office, PLLC

(57) **CLAIM**

The ornamental design for faucet spout, as show and described.

DESCRIPTION

FIG. 1 is a top, left, front, perspective view of faucet spout showing my new design;

FIG. 2 is a front elevational view thereof;

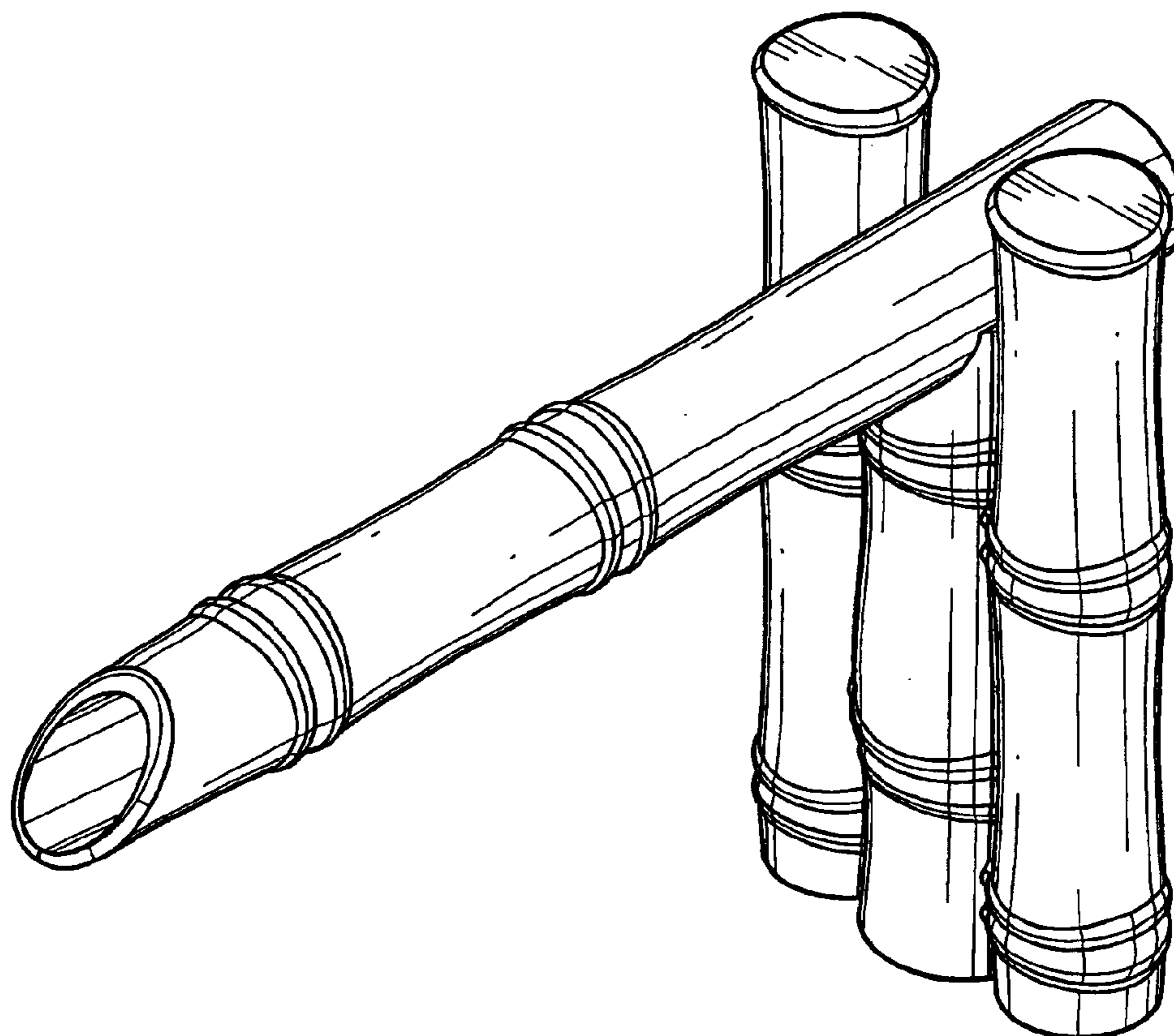
FIG. 3 is a rear elevational view thereof;

FIG. 4 is a left elevational view thereof;

FIG. 5 is a right elevational view thereof; and,

FIG. 6 is a top plan view thereof.

1 Claim, 4 Drawing Sheets



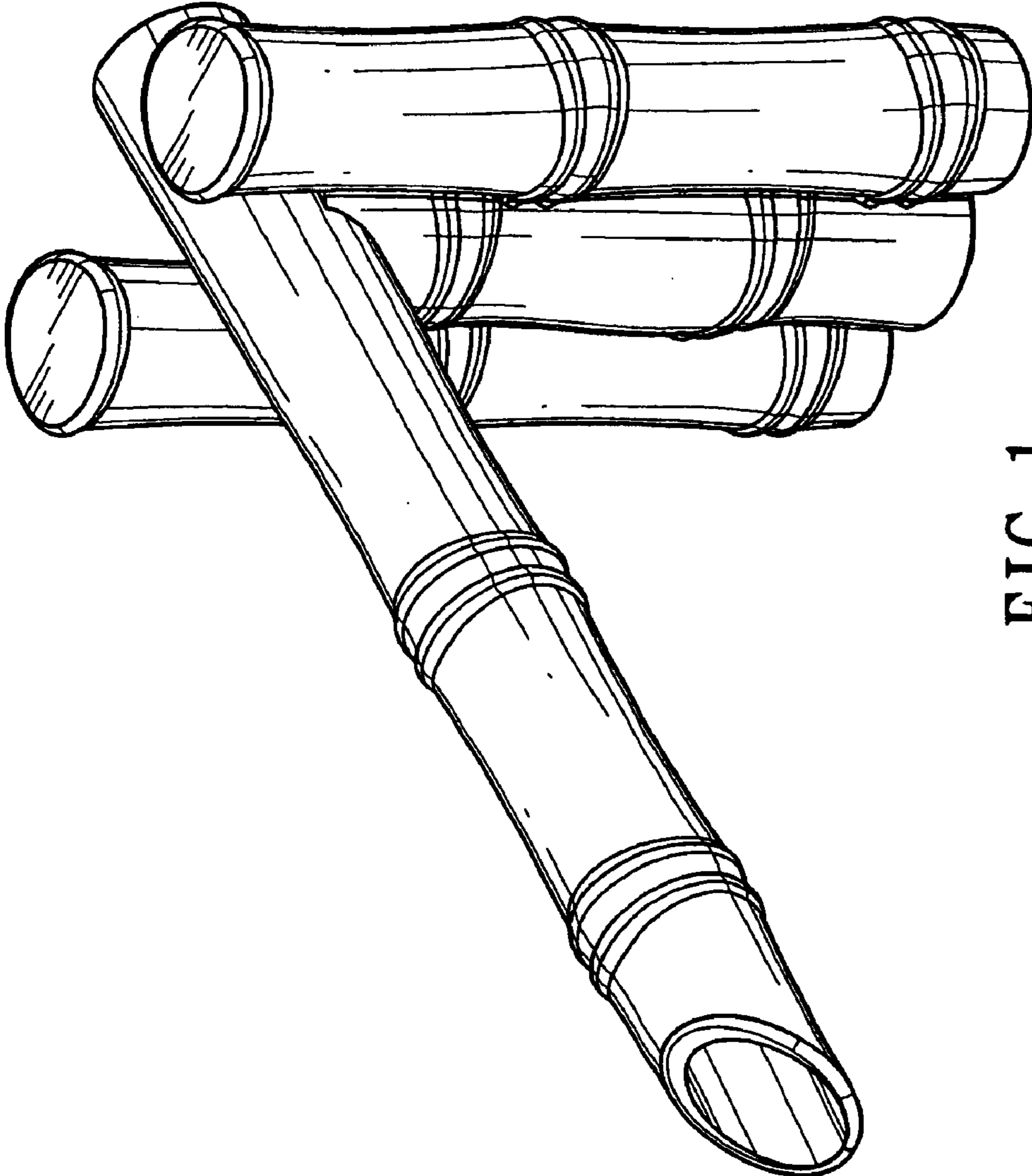


FIG. 1

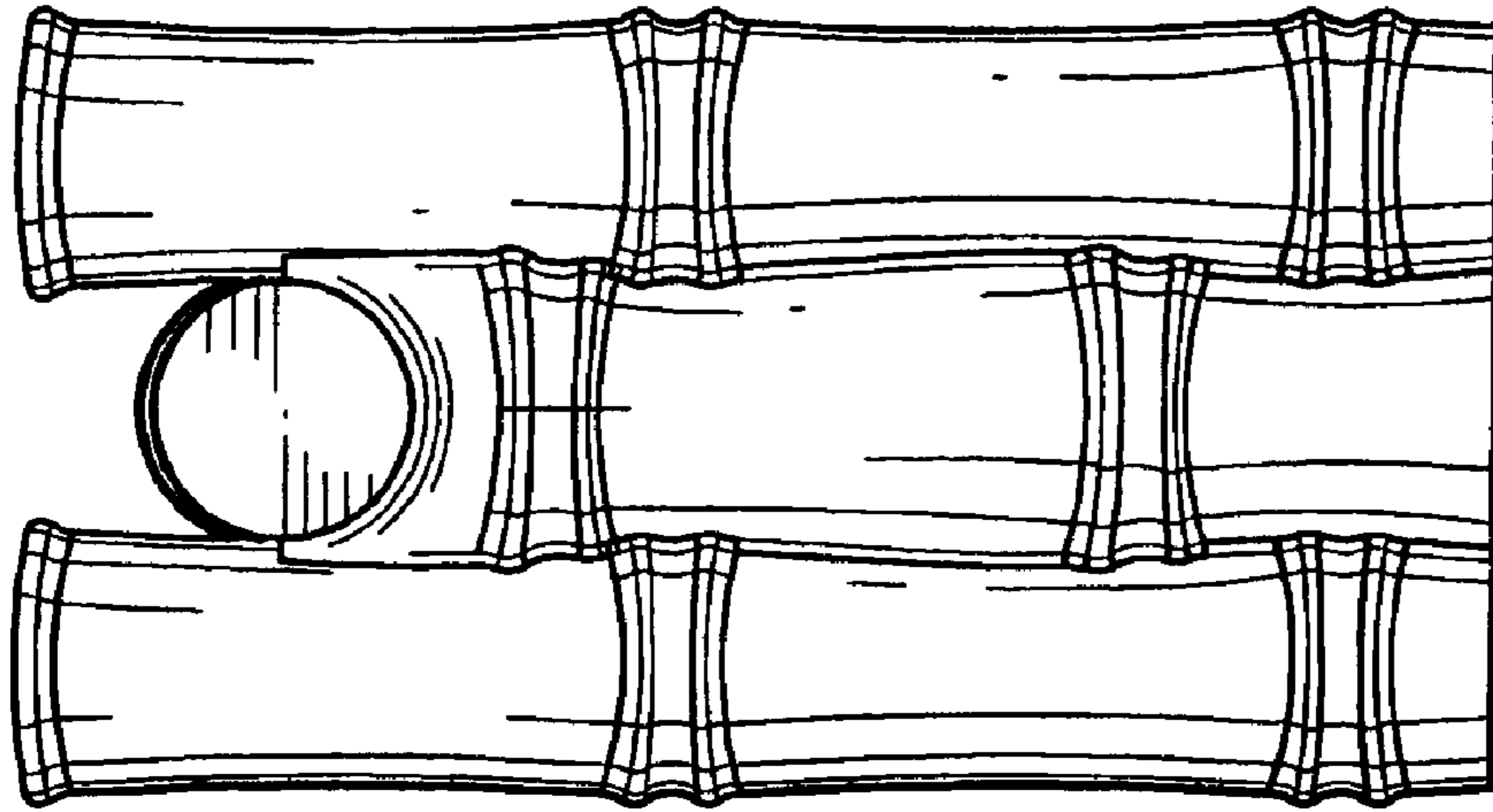


FIG. 3

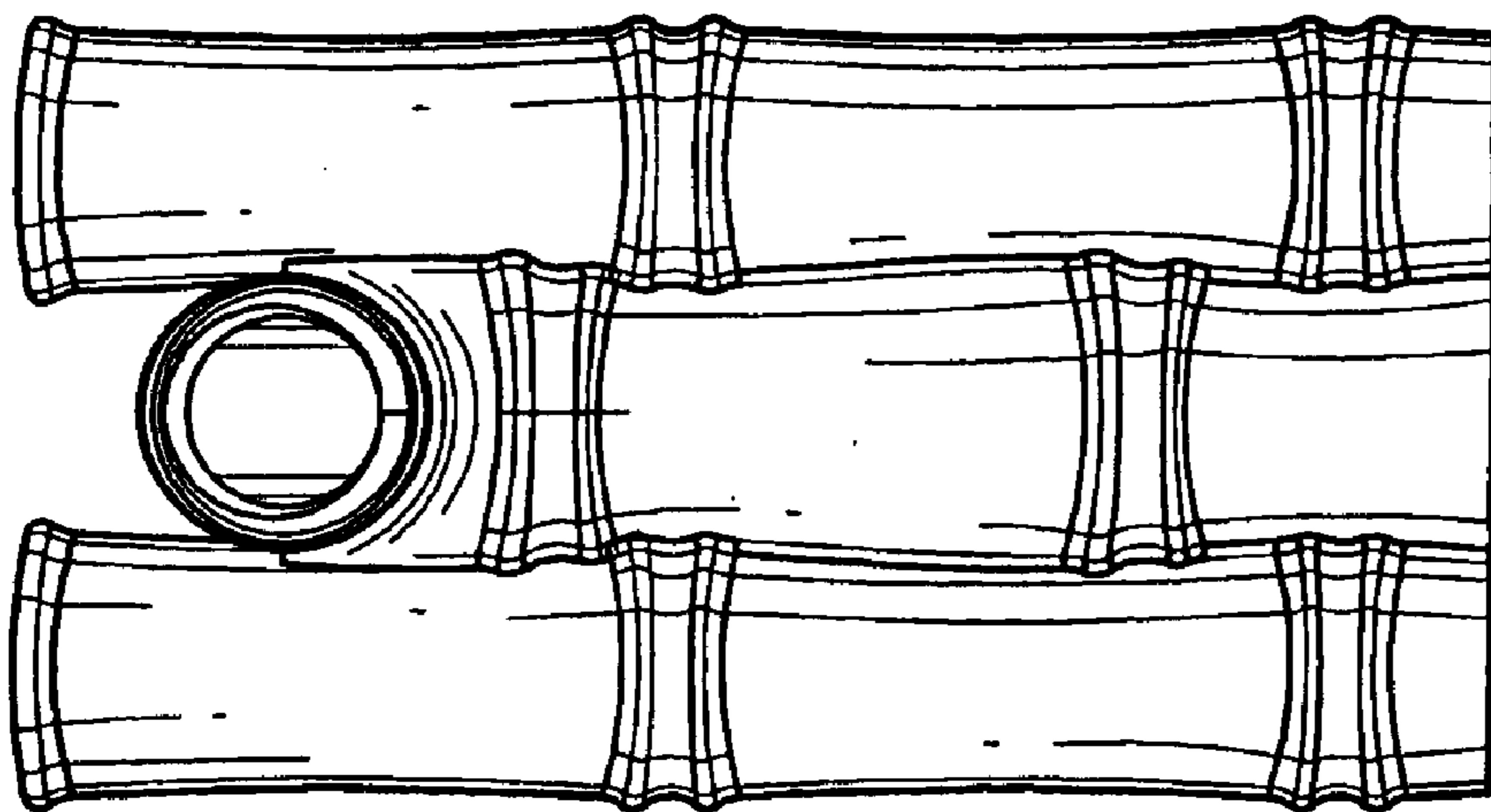


FIG. 2

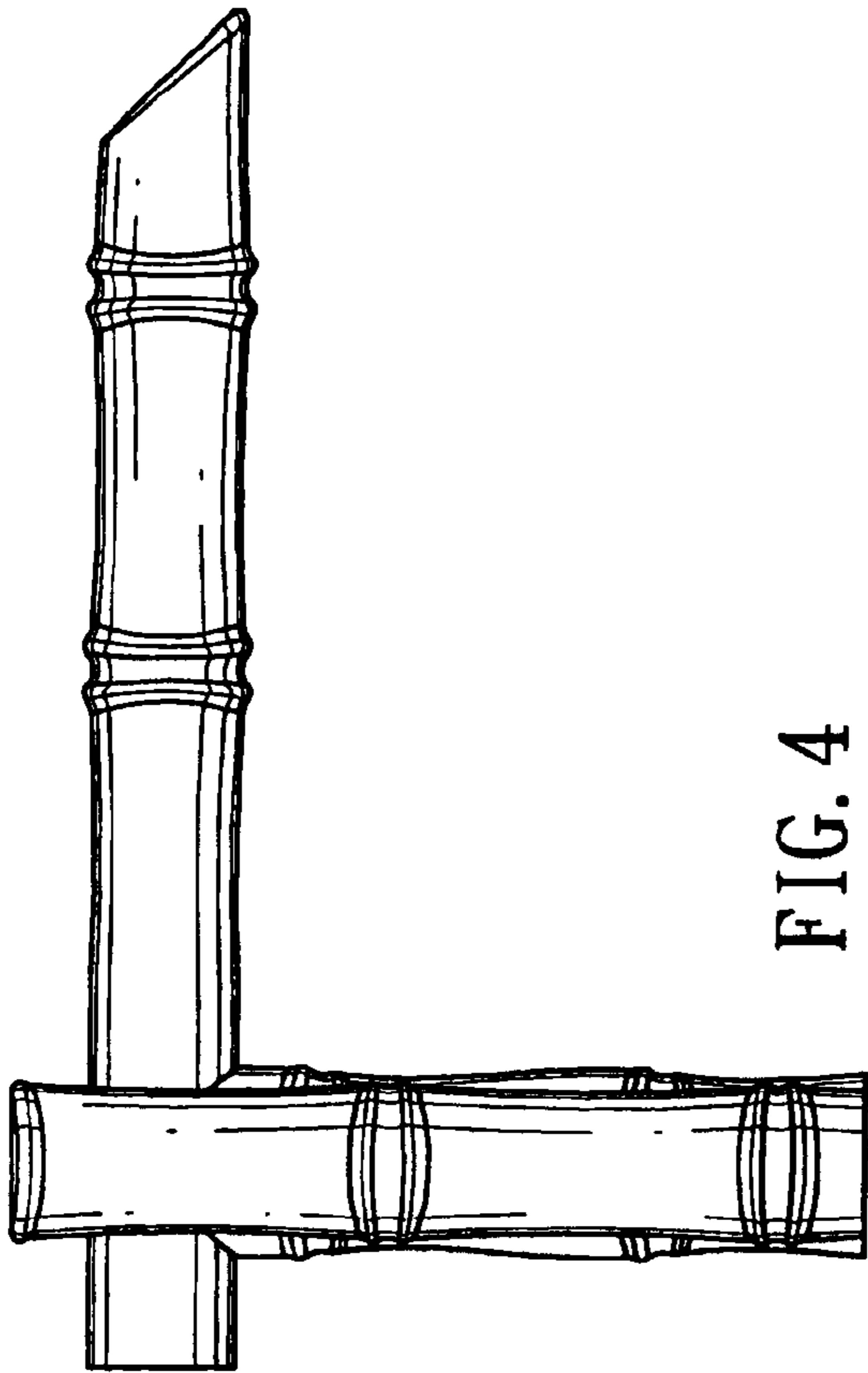


FIG. 4

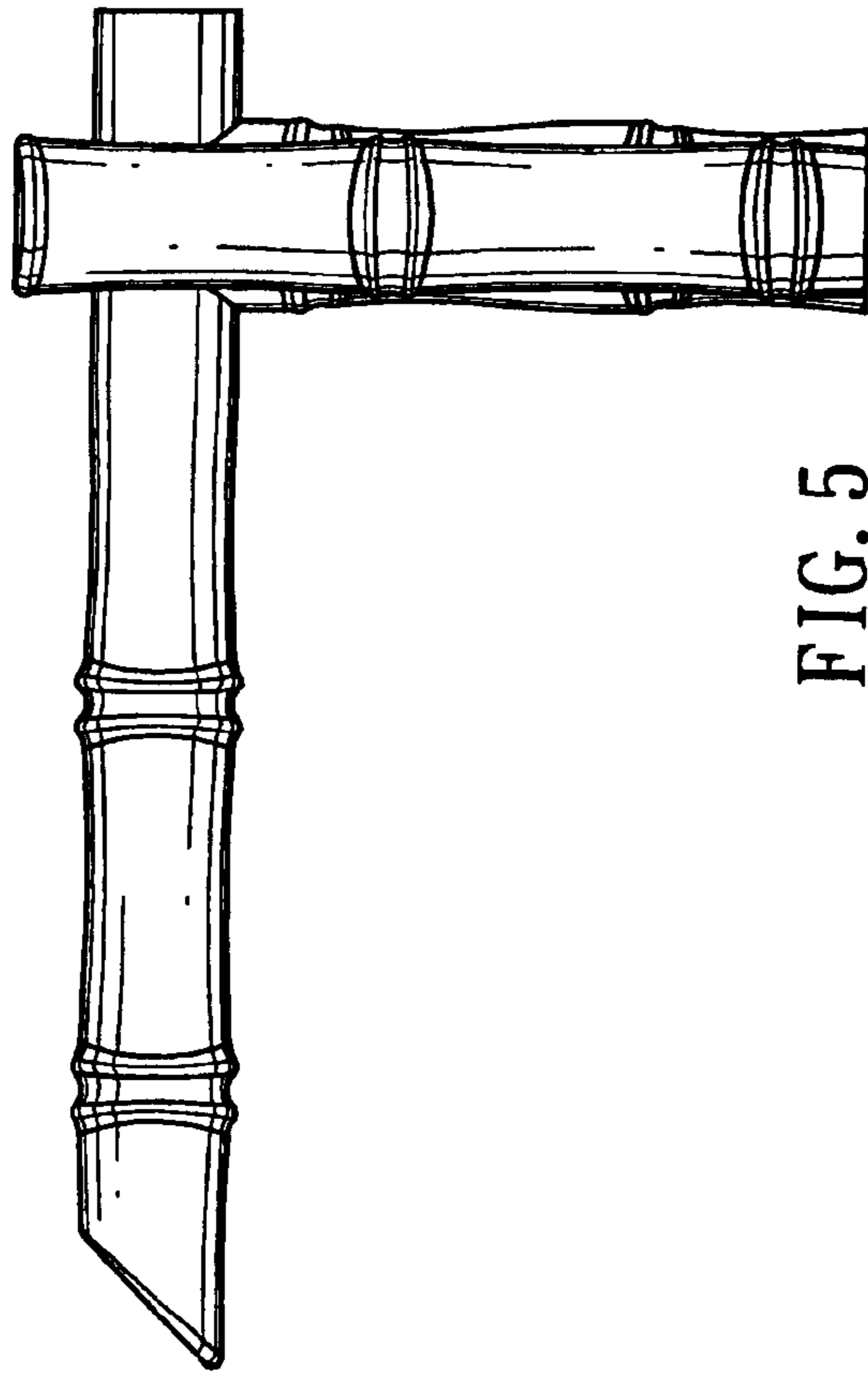


FIG. 5

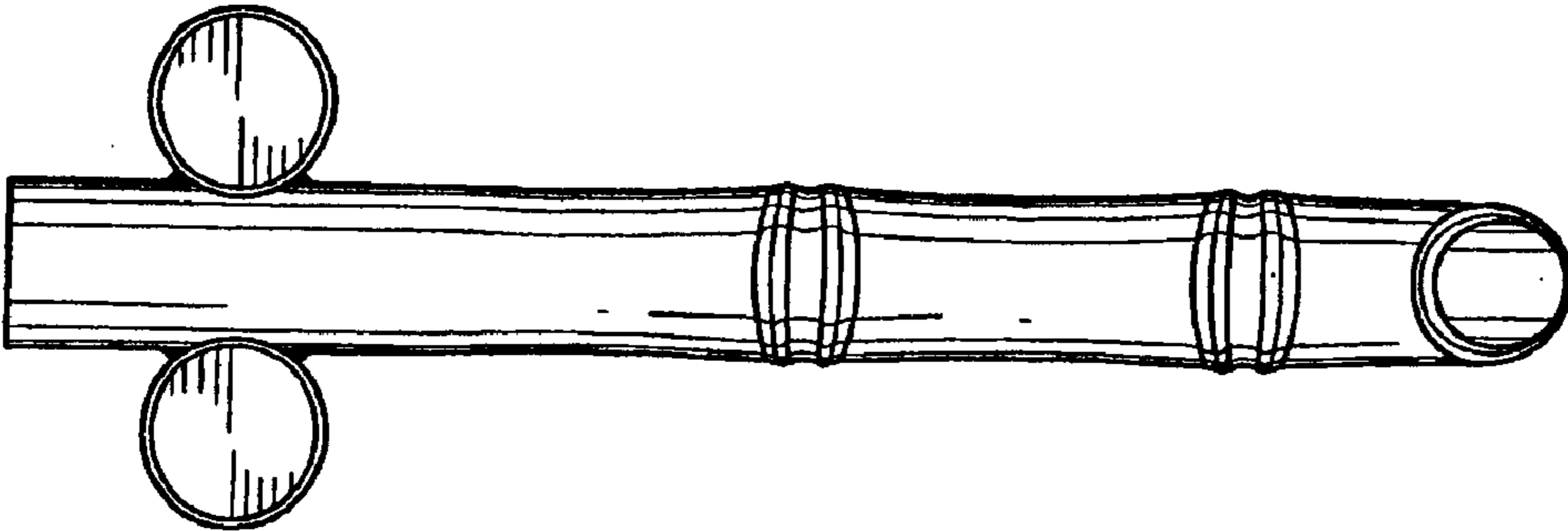


FIG. 6