



US00D520120S

(12) **United States Design Patent** (10) **Patent No.:** **US D520,120 S**
Fritz (45) **Date of Patent:** **** May 2, 2006**

(54) **FAUCET SPOUT**

D461,540 S * 8/2002 Gottwald D23/255
D472,308 S * 3/2003 Hundley D23/255

(75) Inventor: **Seth A. Fritz**, Kendallville, IN (US)

* cited by examiner

(73) Assignee: **Masco Corporation of Indiana**,
Indianapolis, IN (US)

Primary Examiner—Louis S. Zarfes
Assistant Examiner—G. Andoll

(**) Term: **14 Years**

(74) *Attorney, Agent, or Firm*—Kwadjo Adusei-Poku;
Lloyd D. Doigan

(21) Appl. No.: **29/219,950**

(57) **CLAIM**

(22) Filed: **Dec. 23, 2004**

The ornamental design for a faucet spout, as shown and described.

(51) **LOC (8) Cl.** **23-01**

DESCRIPTION

(52) **U.S. Cl.** **D23/255; D23/257**

(58) **Field of Classification Search** D23/238–257;
4/675–678; 137/801
See application file for complete search history.

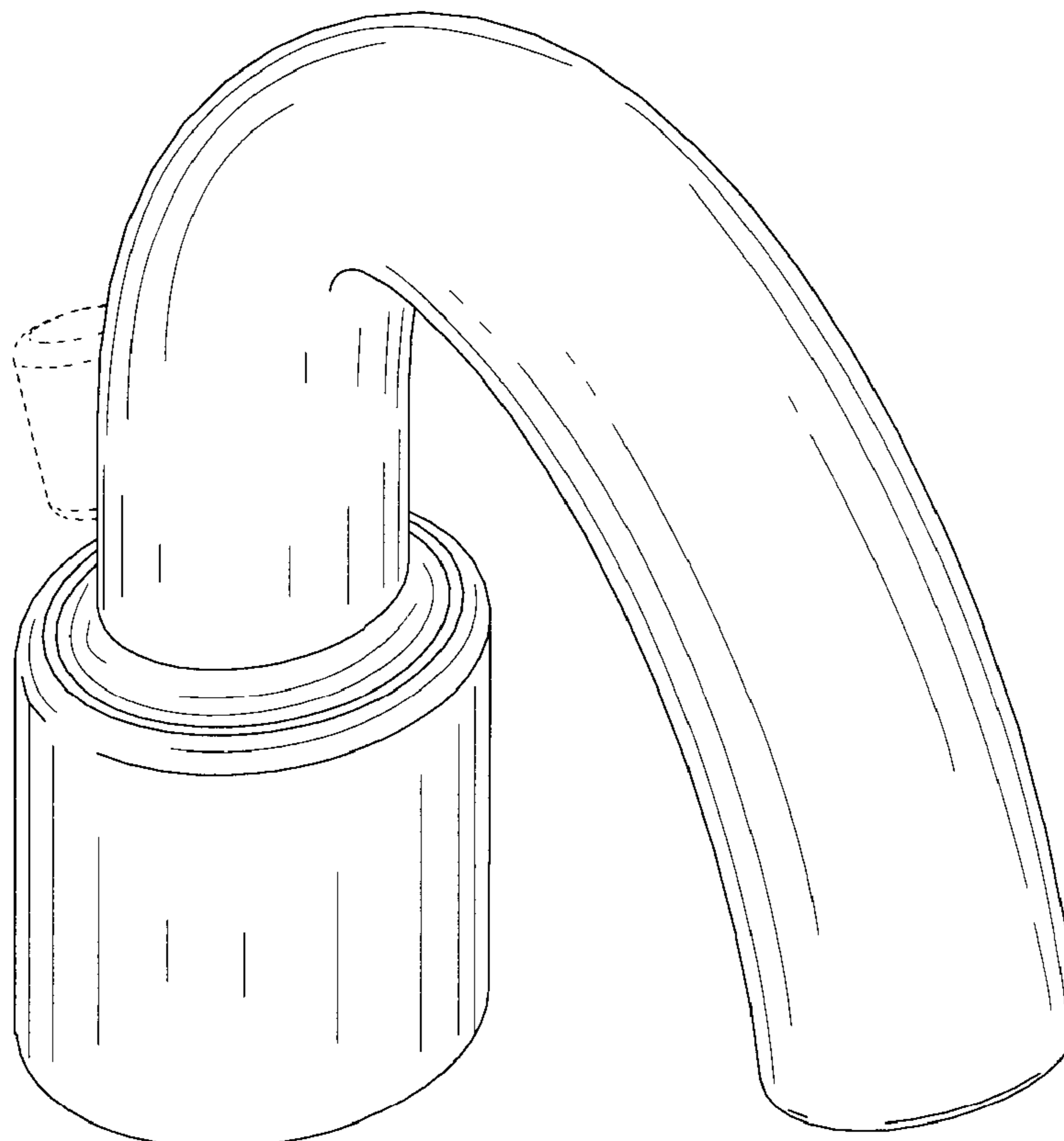
FIG. 1 is a front perspective view of a faucet spout showing my design;
FIG. 2 is a front elevational view thereof;
FIG. 3 is a rear elevational view thereof;
FIG. 4 is a right side elevational view thereof, the left side elevational view being a mirror image thereof;
FIG. 5 is a top plan view thereof; and,
FIG. 6 is a rear perspective view thereof.
The broken lines in the figures are for illustrative purposes only and form no part of the claimed design.

(56) **References Cited**

U.S. PATENT DOCUMENTS

D267,110 S * 11/1982 Arnolds D23/242
D322,658 S * 12/1991 Kohler et al. D23/255
D406,323 S * 3/1999 Snyder D23/255

1 Claim, 6 Drawing Sheets



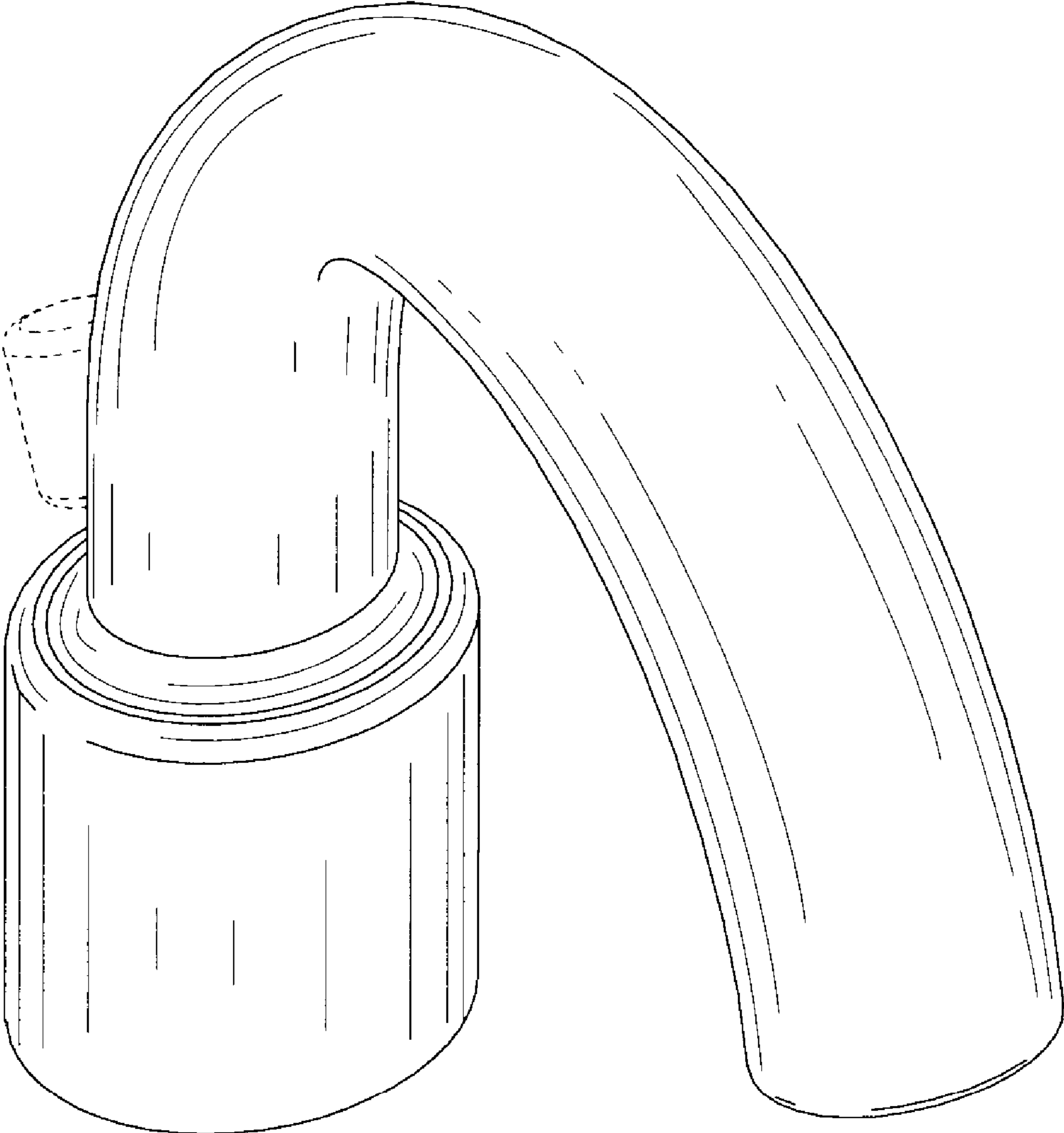


FIG. 1

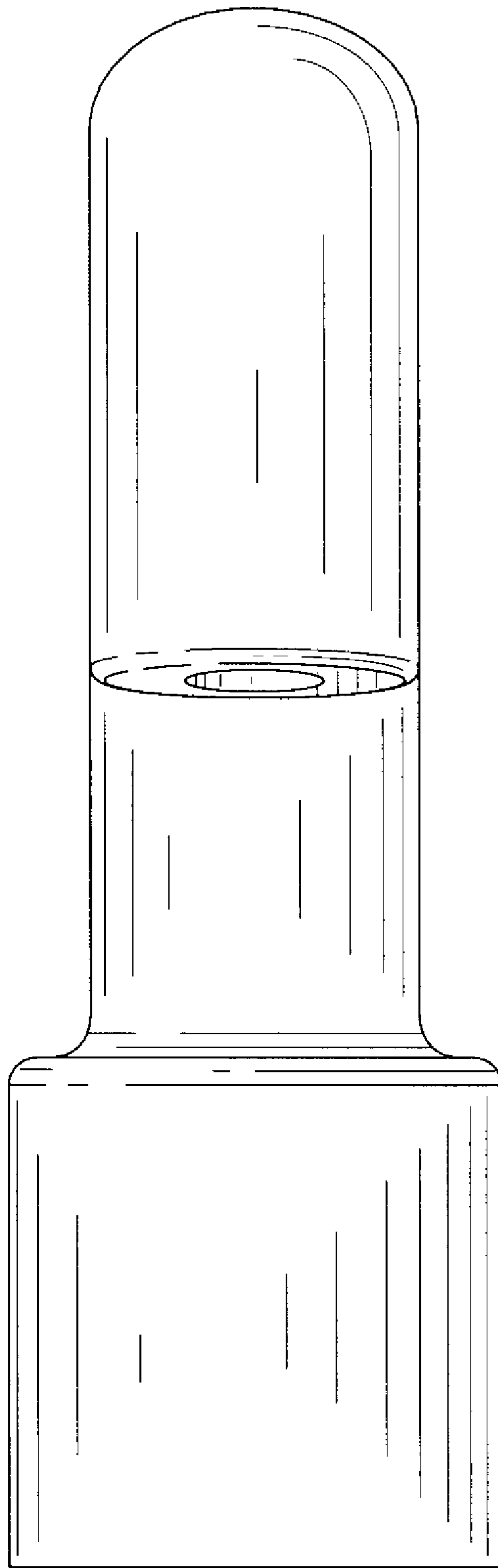


FIG. 2

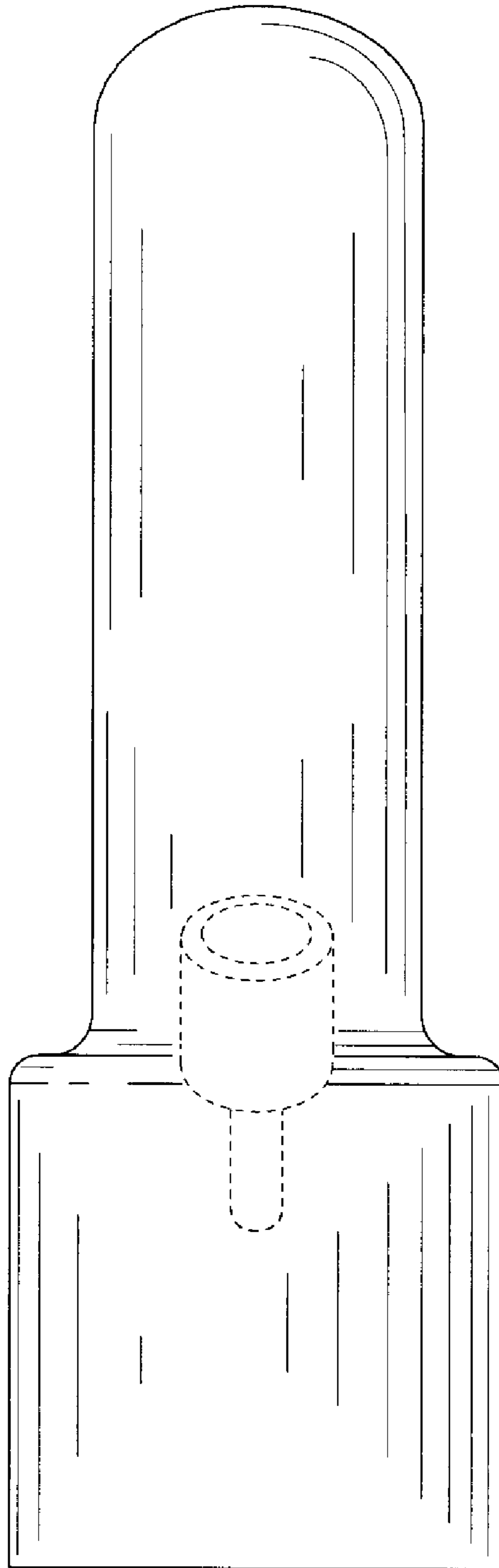


FIG. 3

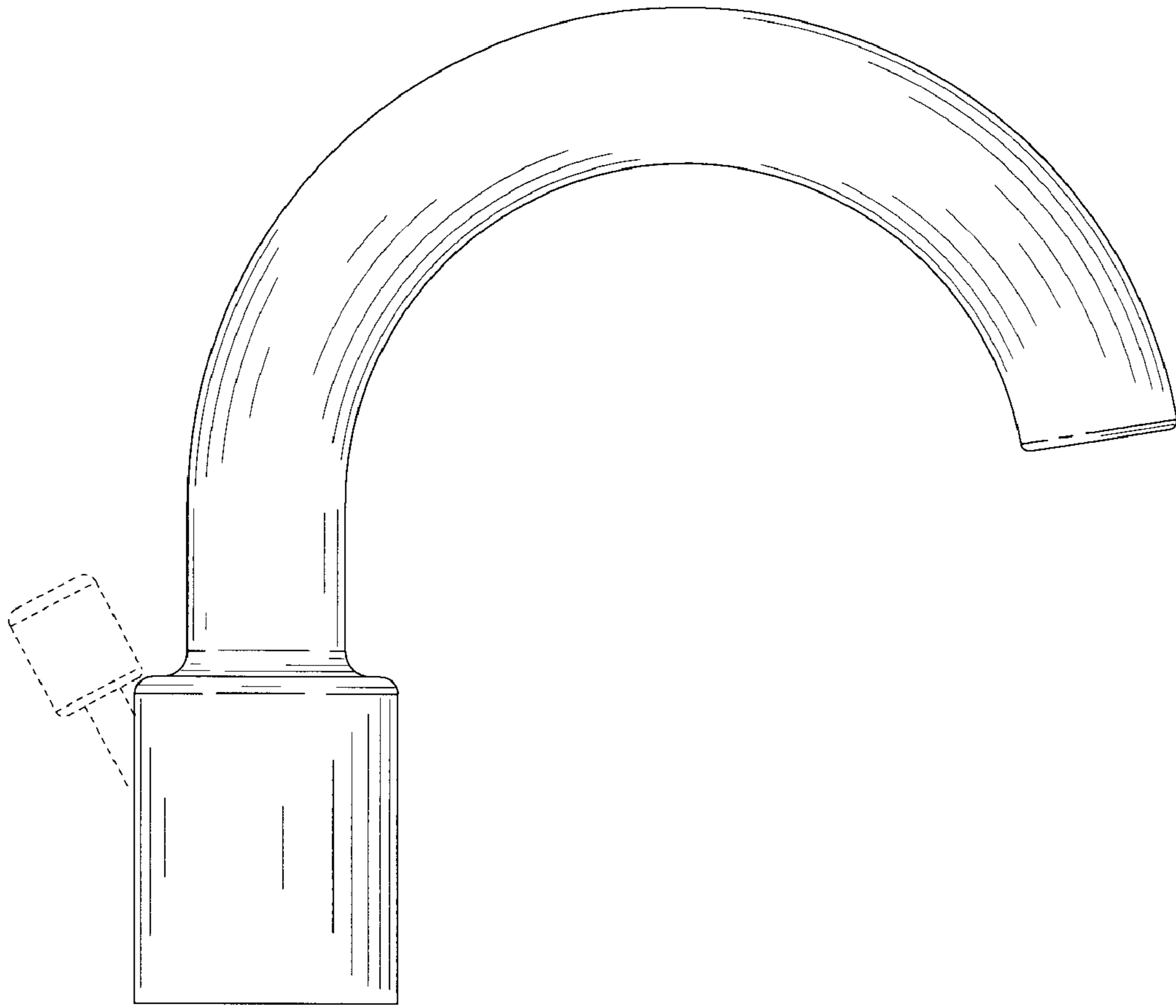


FIG. 4

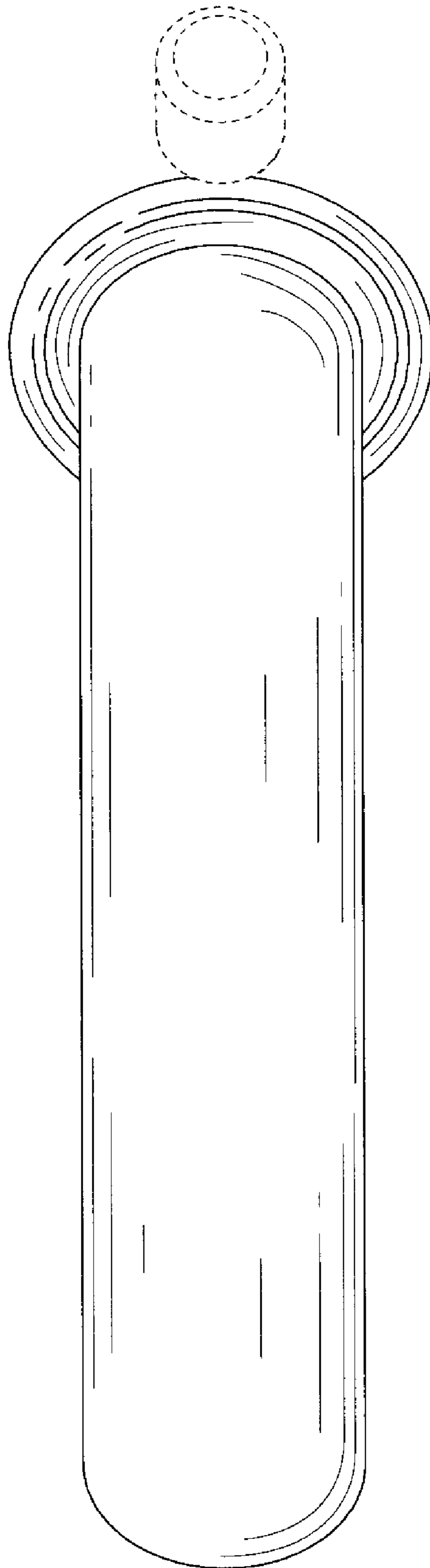


FIG. 5

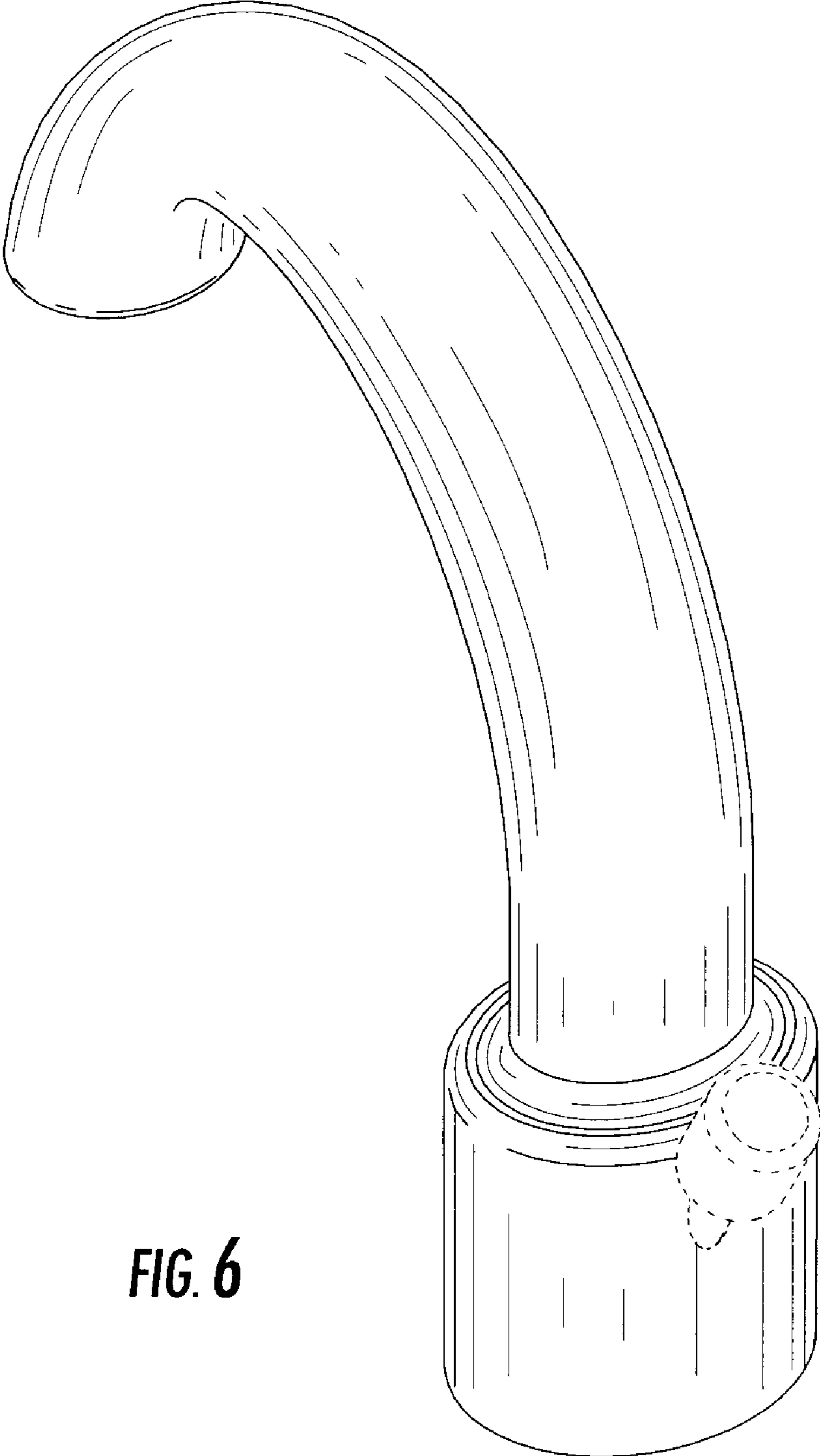


FIG. 6