



US00D520119S

(12) **United States Design Patent** (10) **Patent No.:** **US D520,119 S**
Kulig (45) **Date of Patent:** **** May 2, 2006**

(54) **FAUCET**

(75) Inventor: **Zbigniew Kulig**, Milwaukee, WI (US)

(73) Assignee: **Graff Faucets**, Milwaukee, WI (US)

(**) Term: **14 Years**

(21) Appl. No.: **29/200,362**

(22) Filed: **Feb. 26, 2004**

(51) **LOC (8) Cl.** **23-01**

(52) **U.S. Cl.** **D23/242**; D23/241

(58) **Field of Classification Search** D23/238–257;
4/675–678; 137/801

See application file for complete search history.

(56) **References Cited**

U.S. PATENT DOCUMENTS

D351,218 S	*	10/1994	Sieger	D23/241
D463,848 S	*	10/2002	Haug et al.	D23/241
D489,795 S	*	5/2004	Kulig et al.	D23/238

OTHER PUBLICATIONS

Kulig, U.S. Appl. No. 29/210,960, filed Aug. 9, 2004, allowed May 17, 2005, entitled "Faucet".

Kulig, U.S. Appl. No. 29/200,374, filed Feb. 26, 2004, allowed May 17, 2005, entitled "Faucet".

Kulig, U.S. Appl. No. 29/200,372, filed Feb. 26, 2004, allowed May 17, 2005, entitled "Faucet".

Kulig, U.S. Appl. No. 29/200,370, filed Feb. 26, 2004, allowed May 17, 2005, entitled "Faucet".

Kulig, U.S. Appl. No. 29/200,367, filed Feb. 26, 2004, entitled "Faucet".

Kulig, U.S. Appl. No. 29/200,363, filed Feb. 26, 2004, allowed May 17, 2005, entitled "Faucet".

Kulig, U.S. Appl. No. 29/200,364, filed Feb. 26, 2004, allowed May 17, 2005, entitled "Faucet".

Kulig, U.S. Appl. No. 29/200,375, filed Feb. 26, 2004, allowed May 17, 2005, entitled "Faucet".

Kulig, U.S. Appl. No. 29/200,361, filed Feb. 26, 2004, allowed May 17, 2005, entitled "Faucet".

Kulig, U.S. Appl. No. 29/200,369, filed Feb. 26, 2004, entitled "Faucet".

Kulig, U.S. Appl. No. 29/200,368, filed Feb. 26, 2004, allowed May 17, 2005, entitled "Faucet Handle".

Kulig, U.S. Appl. No. 29/200,371, filed Feb. 26, 2004, allowed May 17, 2005, entitled "Faucet Handle".

Kulig, U.S. Appl. No. 29/200,366, filed Feb. 26, 2004, allowed May 17, 2005, entitled "Faucet".

Kulig, et al., U.S. Appl. No. 29/200,373, filed Feb. 26, 2004, entitled "Faucet Handle".

Kulig, U.S. Appl. No. 29/200,365, filed Feb. 26, 2004, entitled "Faucet".

Kulig, U.S. Appl. No. 29/200,423, filed Feb. 26, 2004, allowed May 17, 2005, entitled "Faucet".

BLANCO America, *Decorative Bar Faucets*, http://www.blancoamerica.com/bar_faucets.html (pp. 1–3) (Apr. 16, 2004).

* cited by examiner

Primary Examiner—Louis S. Zarfaz

Assistant Examiner—Gregory Andoll

(74) *Attorney, Agent, or Firm*—Boyle Fredrickson Newholm Stein & Gratz S.C.

(57) **CLAIM**

The ornamental design for a faucet, as shown and described.

DESCRIPTION

FIG. 1 is a perspective view of a faucet incorporating my new design, viewed from in front of, above, and from the left side of the faucet;

FIG. 2 is a front elevation view thereof;

FIG. 3 is a rear elevation view thereof;

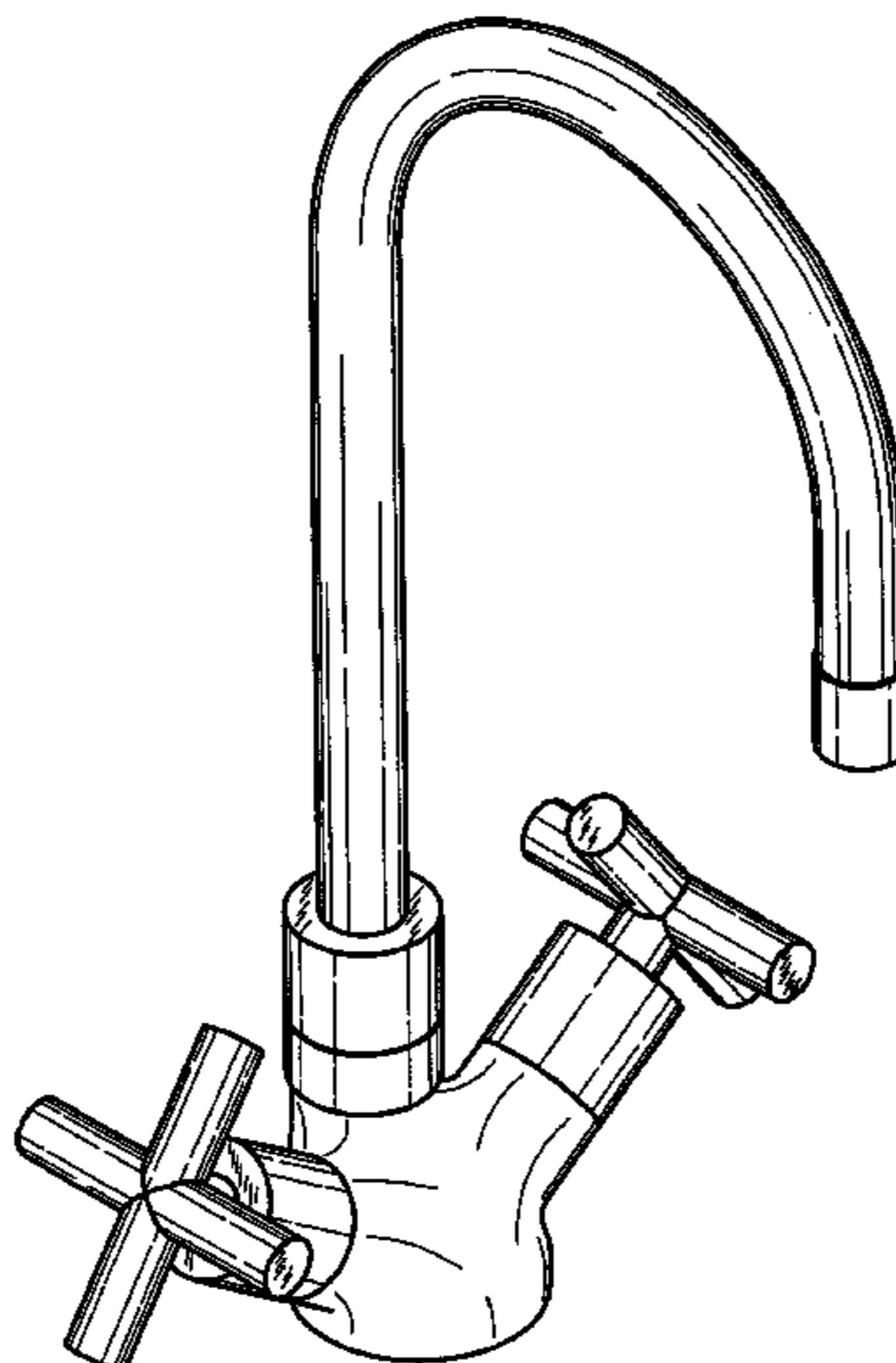
FIG. 4 is a top plan view thereof;

FIG. 5 is a bottom plan view thereof; and,

FIG. 6 is a left-side elevation view thereof, with the right side being a mirror image of the left side.

The broken lines in FIG. 5 are for illustrative purposes only and form no part of the claimed design.

1 Claim, 6 Drawing Sheets



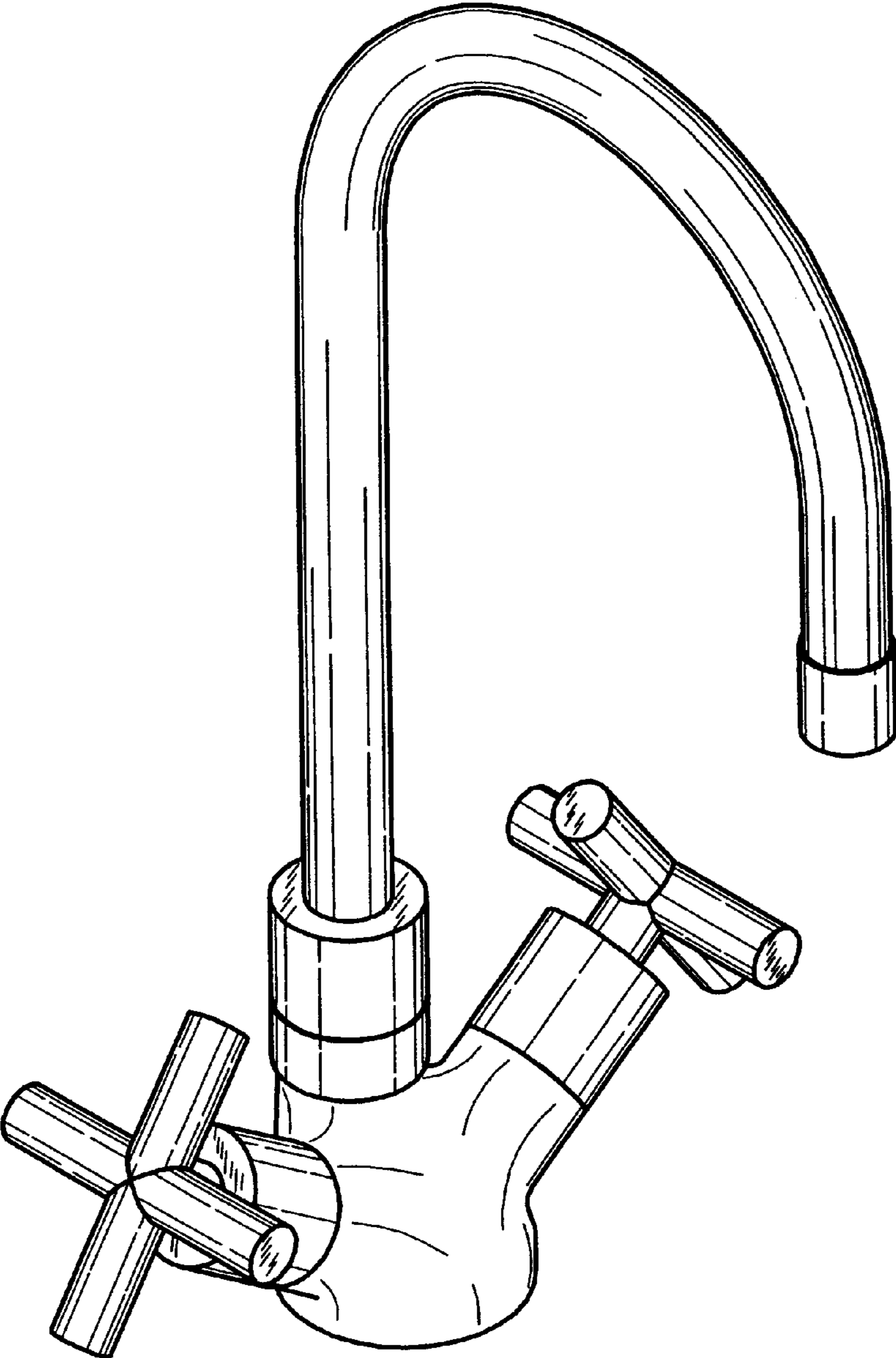


FIG. 1

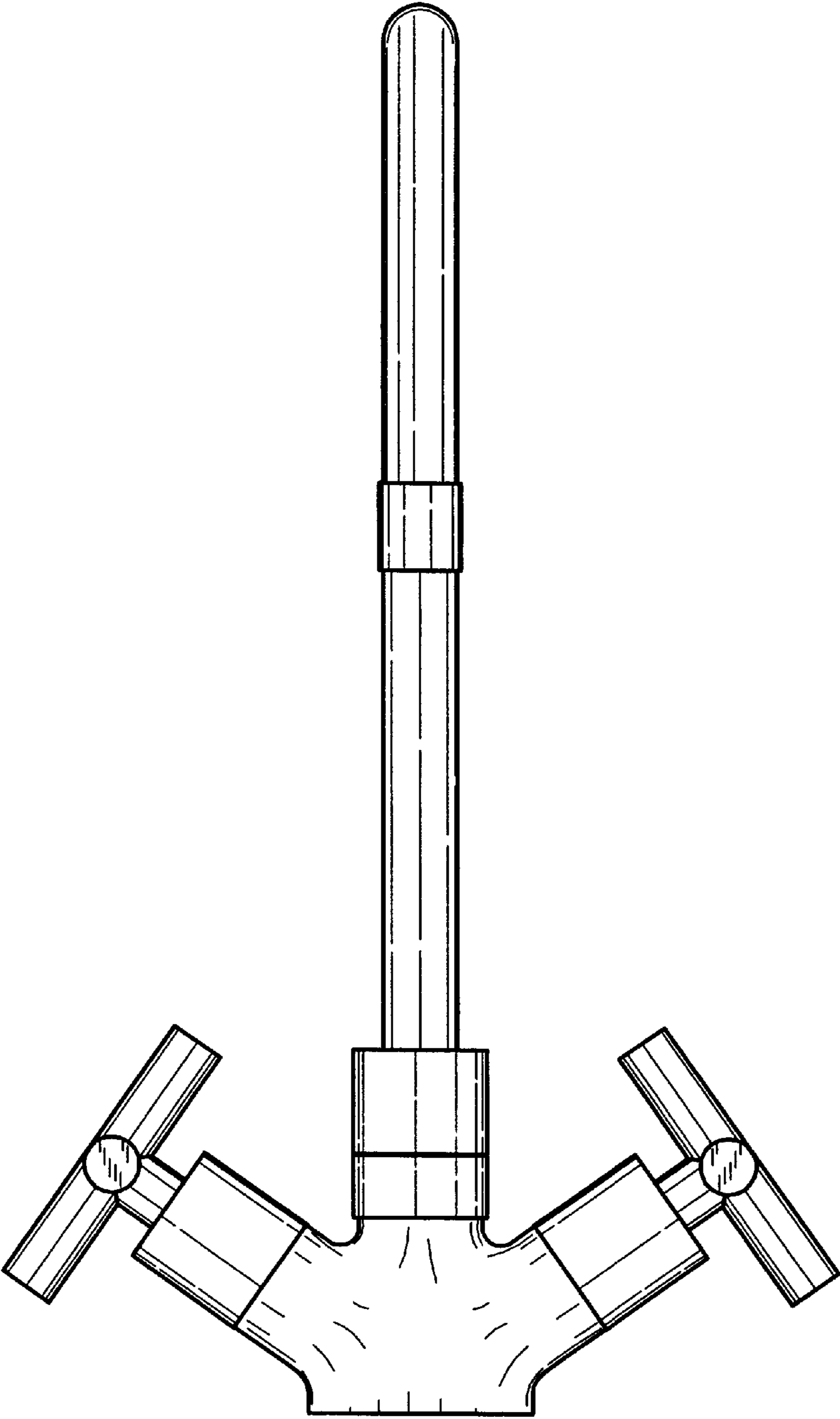


FIG. 2

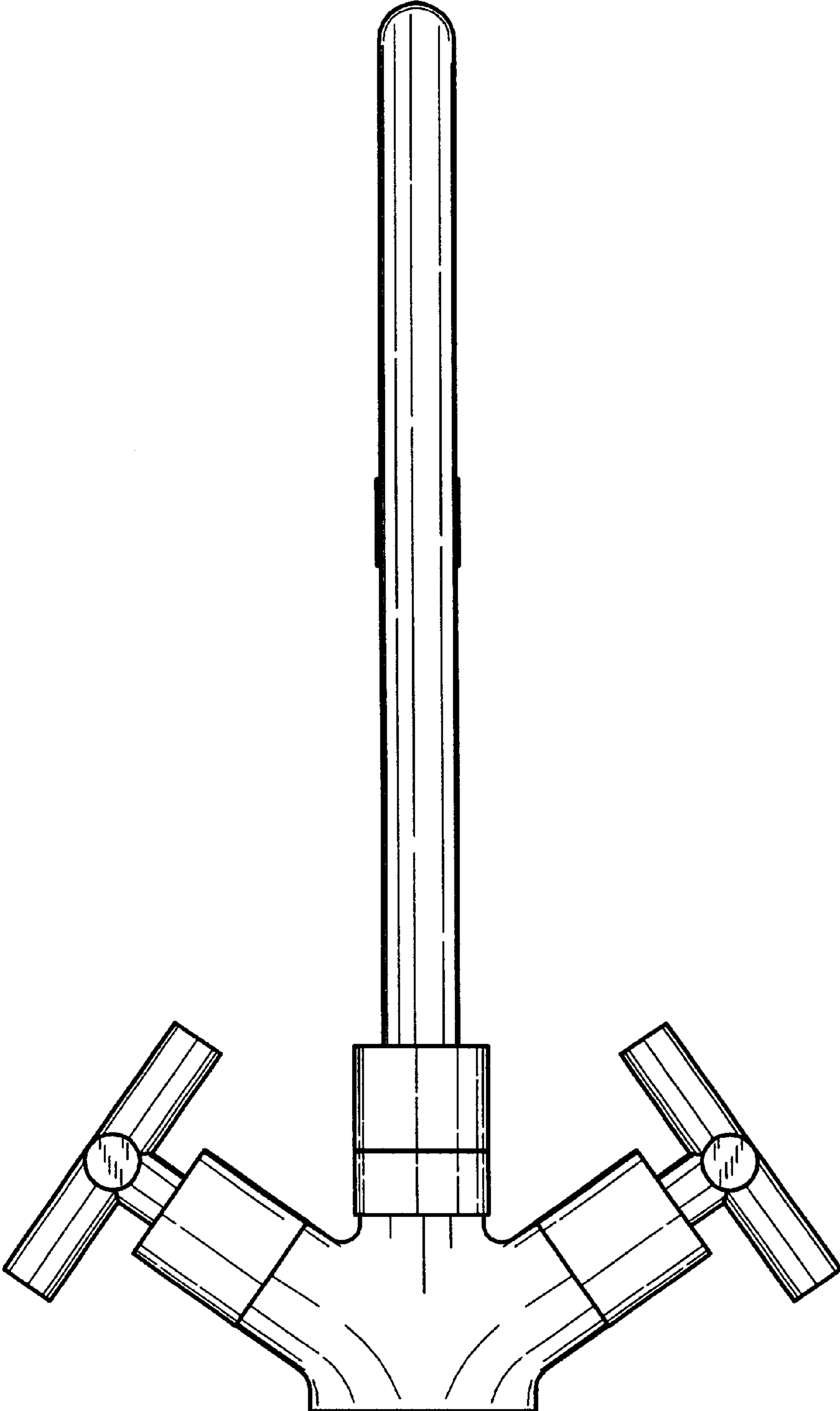


FIG. 3

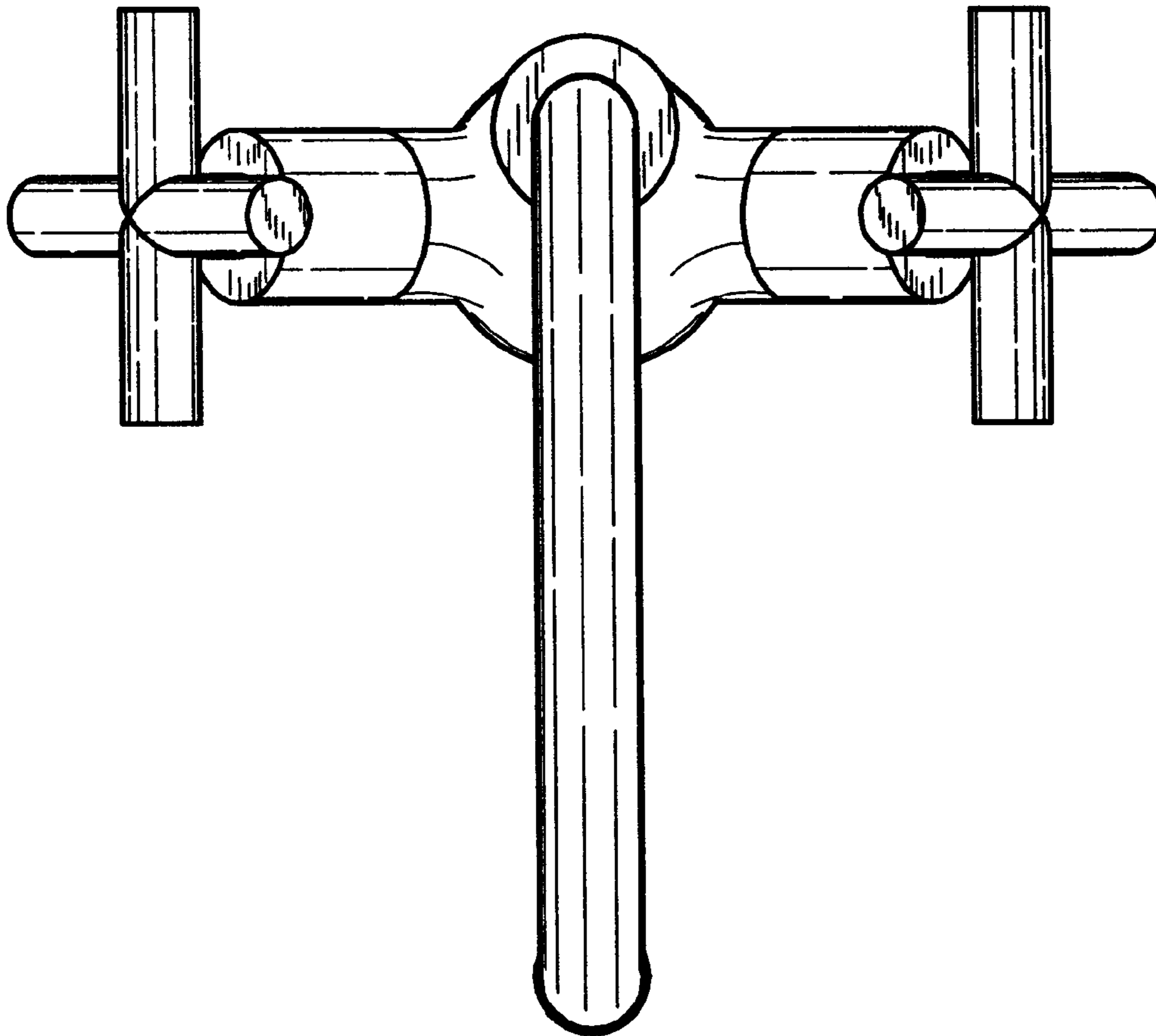


FIG. 4

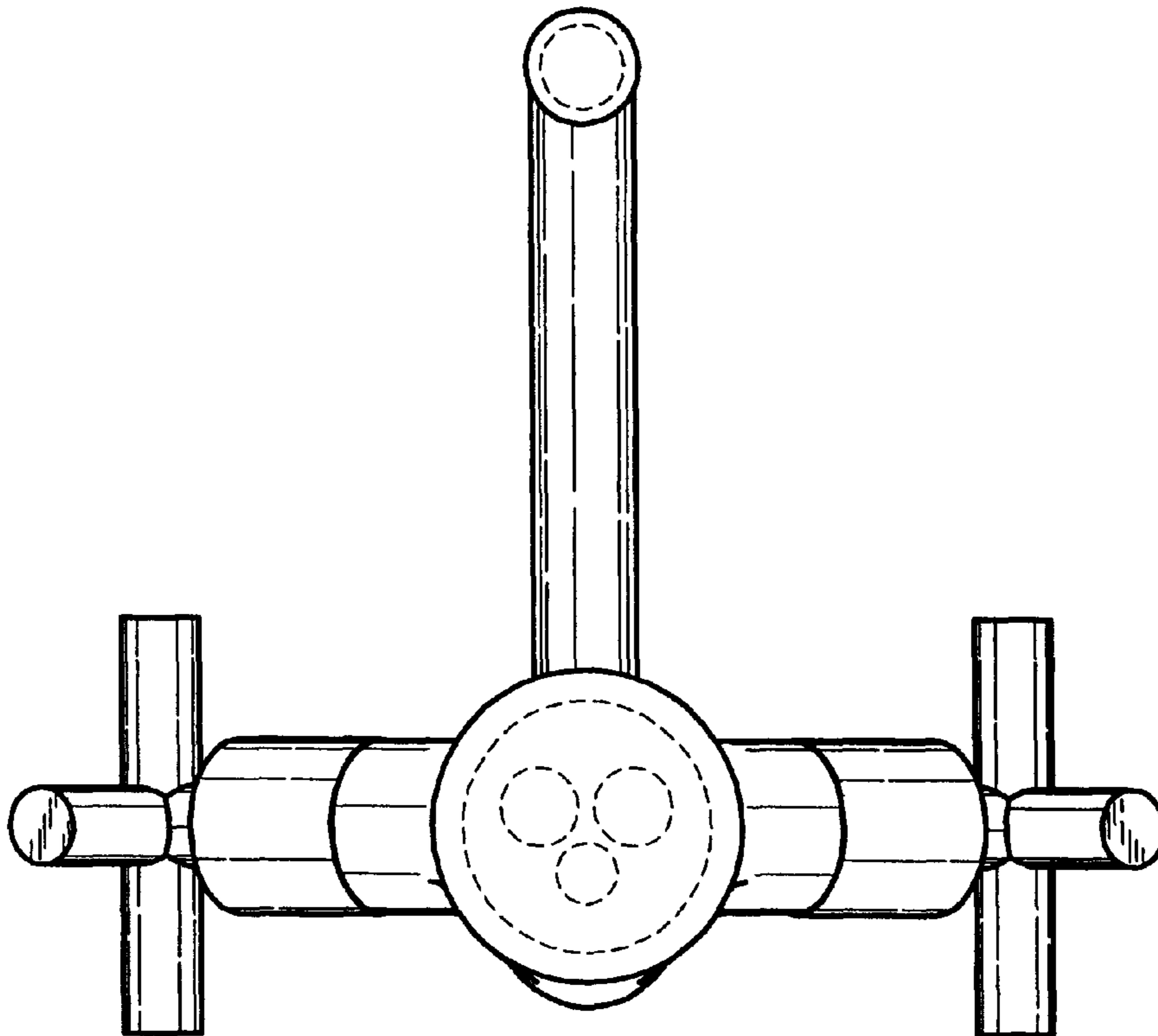


FIG. 5

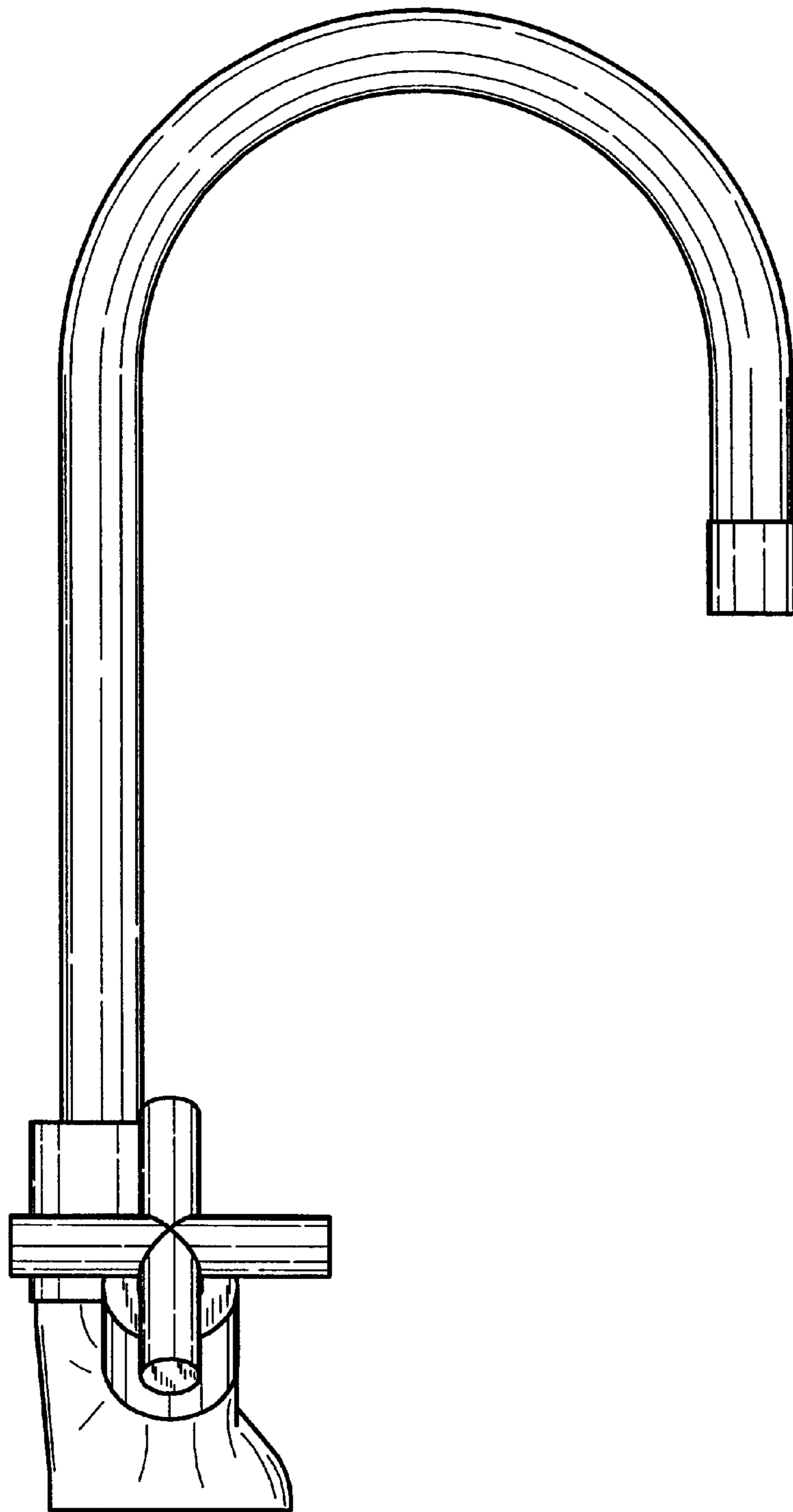


FIG. 6