

US00D520112S

(12) **United States Design Patent**
Beaton

(10) **Patent No.:** **US D520,112 S**

(45) **Date of Patent:** **** May 2, 2006**

(54) **SKIMMER PLUG VALVE**

(76) **Inventor:** **Dean Christopher Beaton**, 7309 Laura Ct., San Diego, CA (US) 92120

(**) **Term:** **14 Years**

(21) **Appl. No.:** **29/212,810**

(22) **Filed:** **Sep. 7, 2004**

(51) **LOC (8) Cl.** **23-01**

(52) **U.S. Cl.** **D23/233**

(58) **Field of Classification Search** D23/230-239,
D23/241-249, 259-262, 303, 309, 265; D8/387,
D8/398, 397; 251/148; 285/154; 137/216-218,
137/526, 540-542, 328, 527, 527.6, 527.8,
137/505.25, 543.17; 222/552, 554, 546, 562;
4/286, 287, 295; 114/197; 217/110; 220/188;
138/89, 91

See application file for complete search history.

(56) **References Cited**

U.S. PATENT DOCUMENTS

D296,232 S * 6/1988 Crossman D23/235

D319,866 S * 9/1991 Rogers D23/235
D363,767 S * 10/1995 Swaim D23/260
D368,300 S * 3/1996 Grenga D23/235

* cited by examiner

Primary Examiner—Caron D. Veynar

Assistant Examiner—Maurice Stevens

(74) *Attorney, Agent, or Firm*—Jerry R. Potts

(57) **CLAIM**

The ornamental design for a skimmer plug valve, as shown.

DESCRIPTION

FIG. 1 is a perspective view showing the new design;

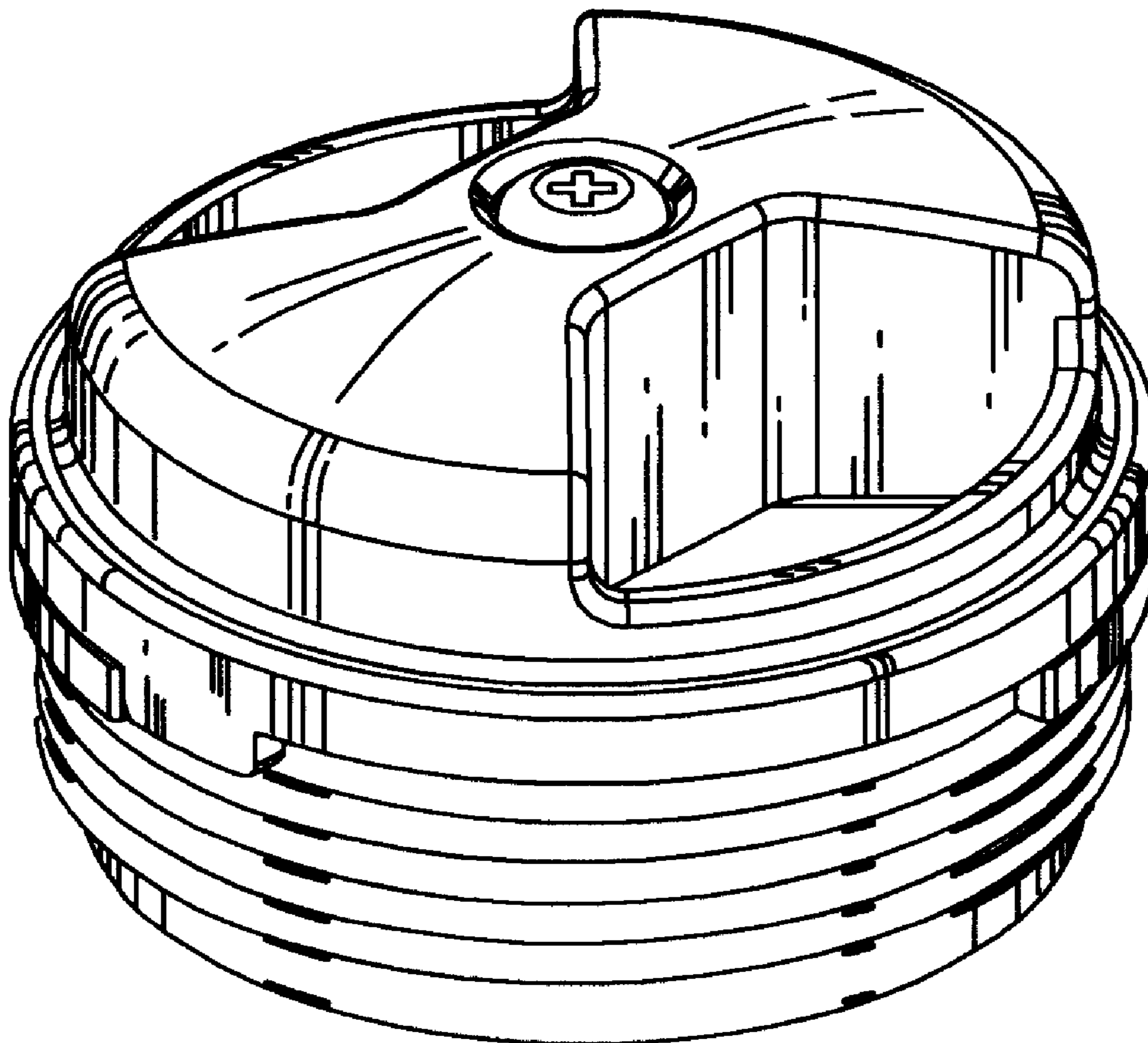
FIG. 2 is a top plan view thereof;

FIG. 3 is a right side elevational view thereof;

FIG. 4 is a left side elevational view thereof; and,

FIG. 5 is a bottom plan view thereof.

1 Claim, 5 Drawing Sheets



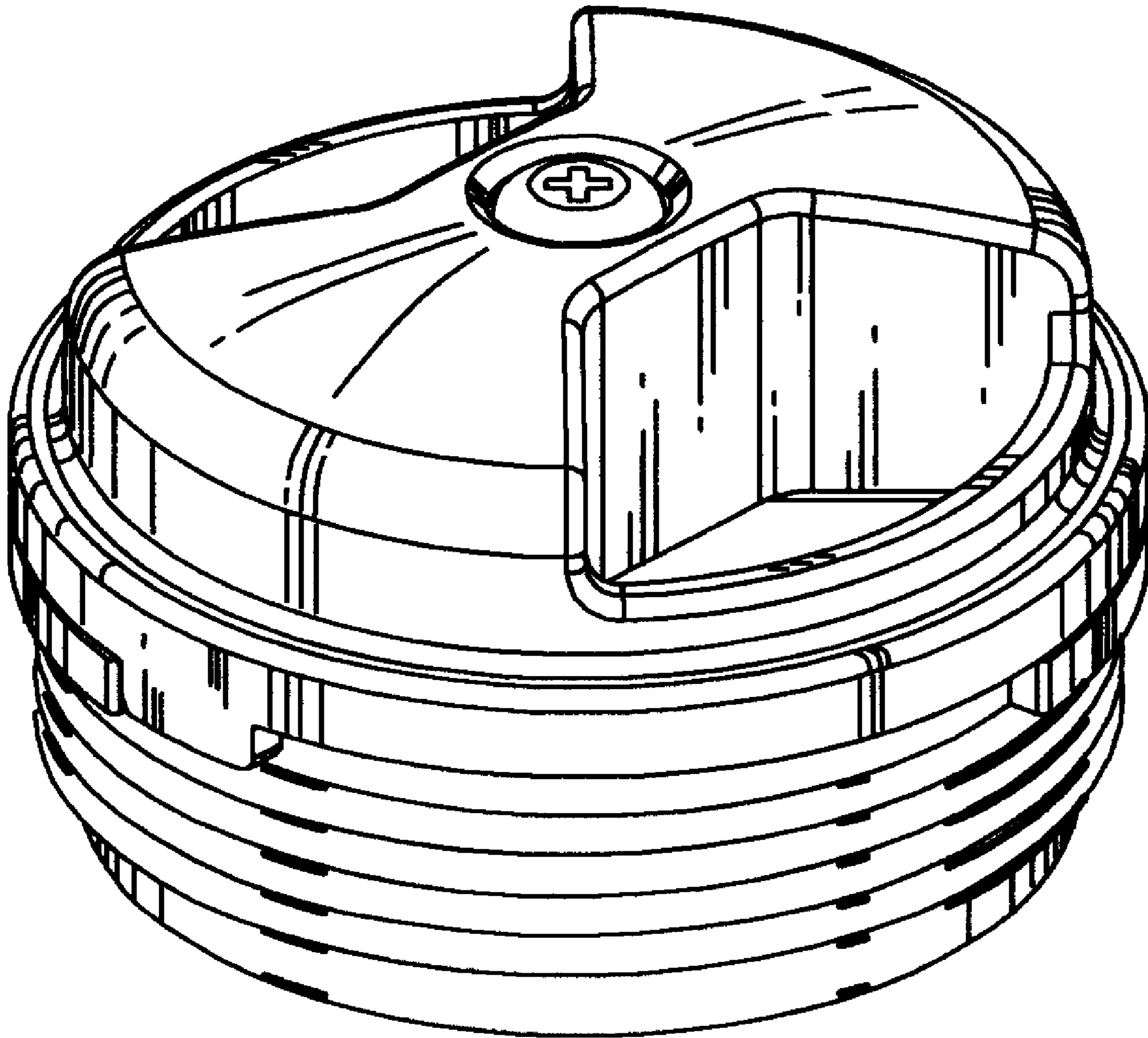


FIG. 1

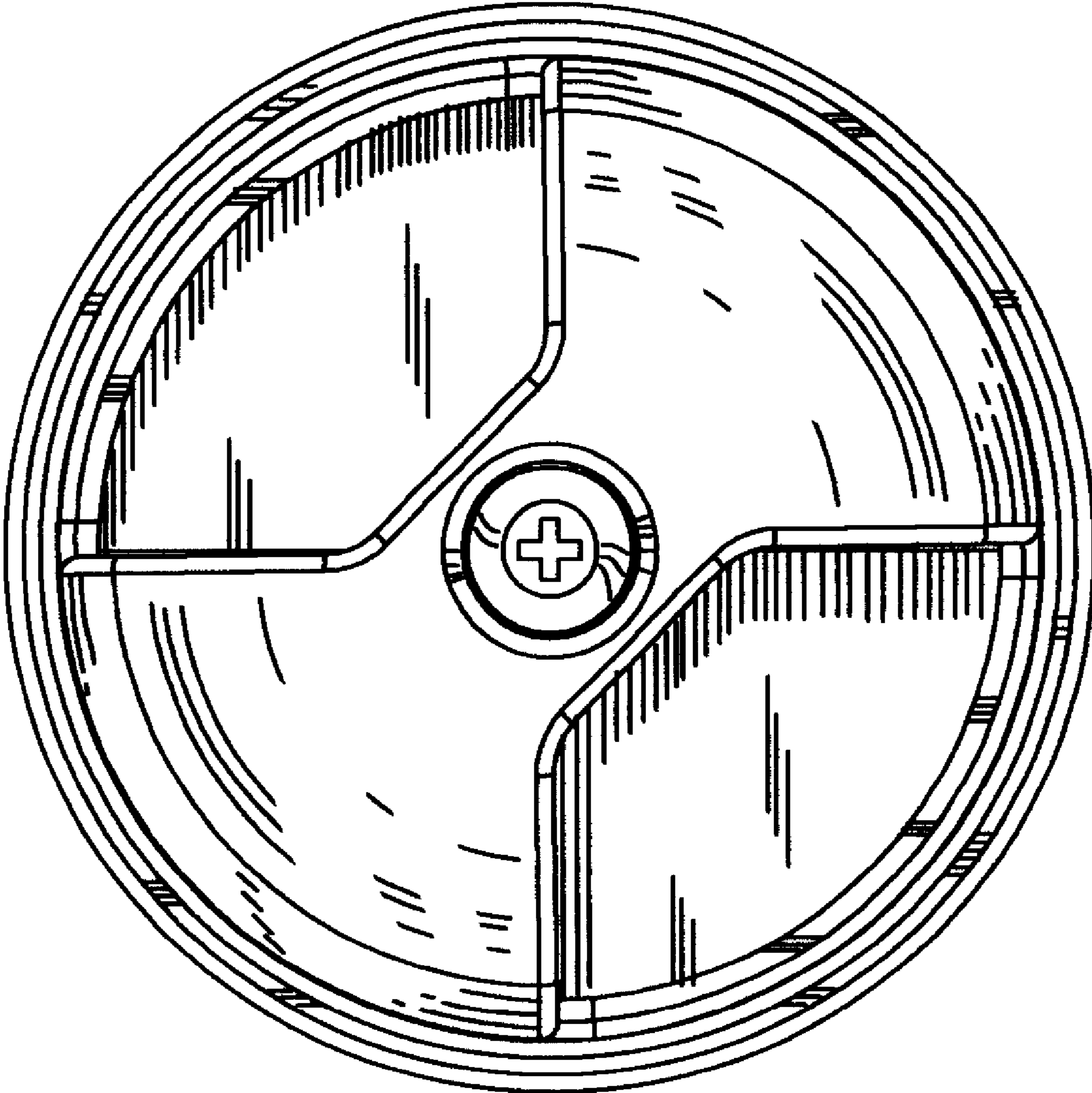


FIG. 2

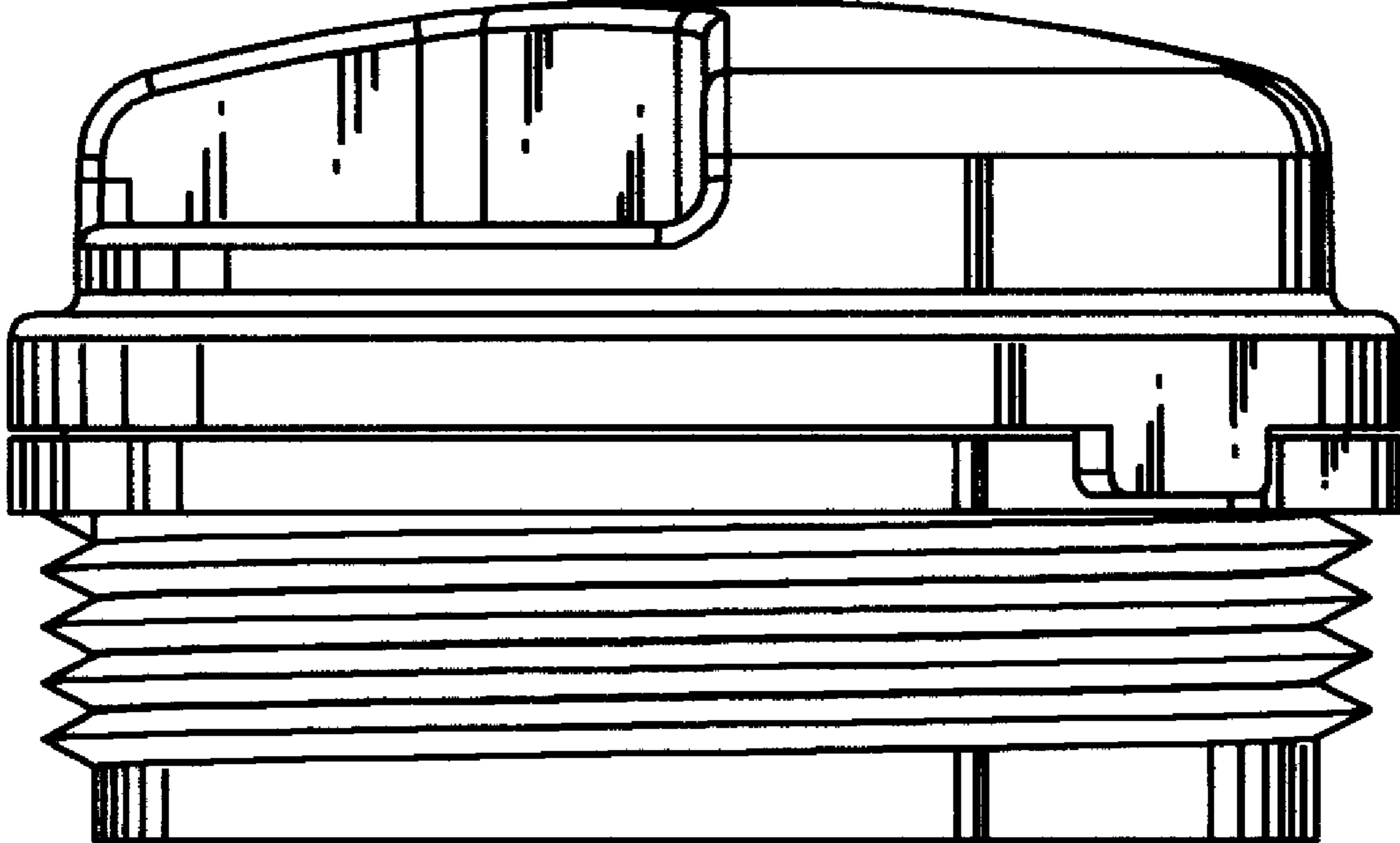


FIG. 3

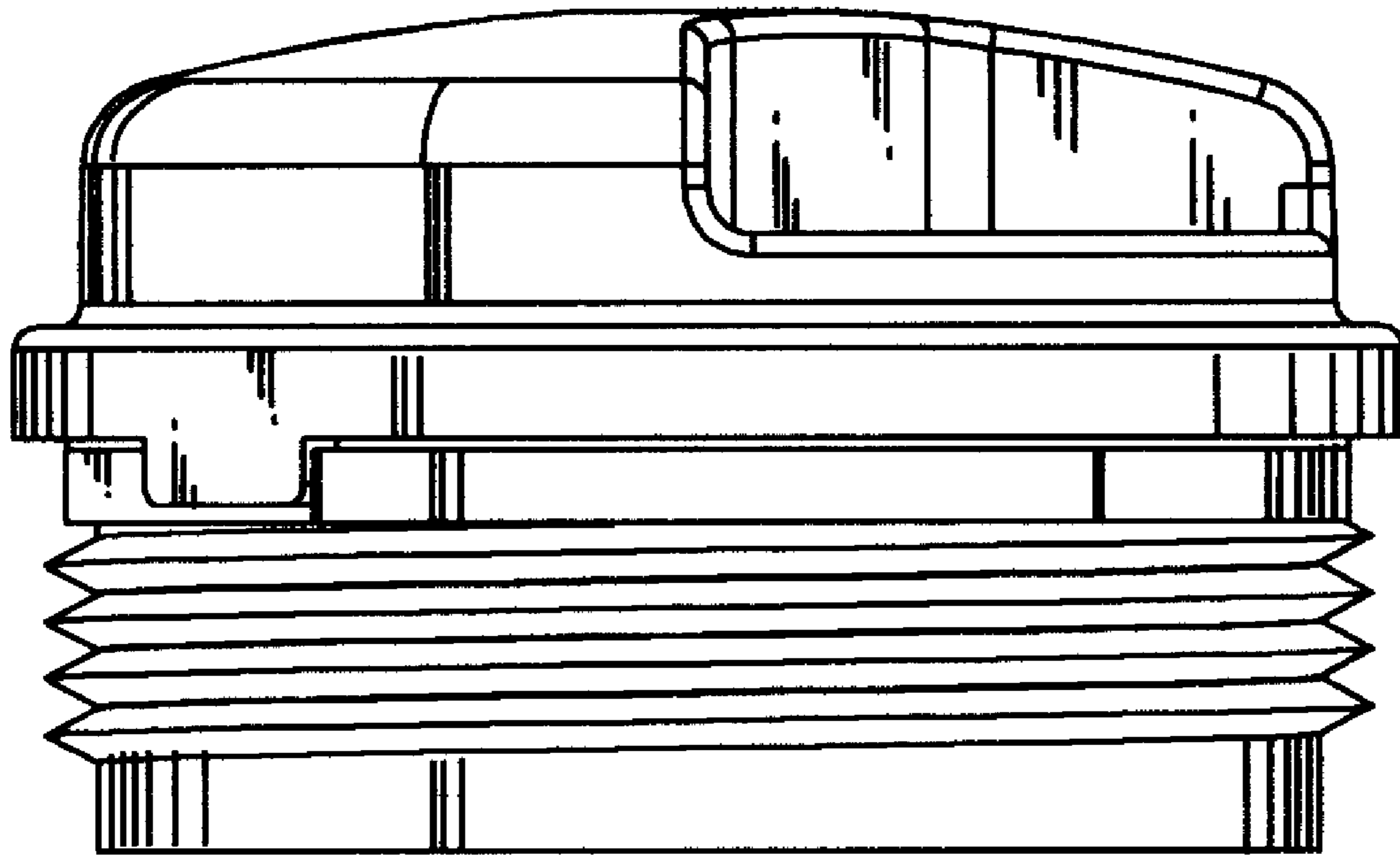


FIG. 4

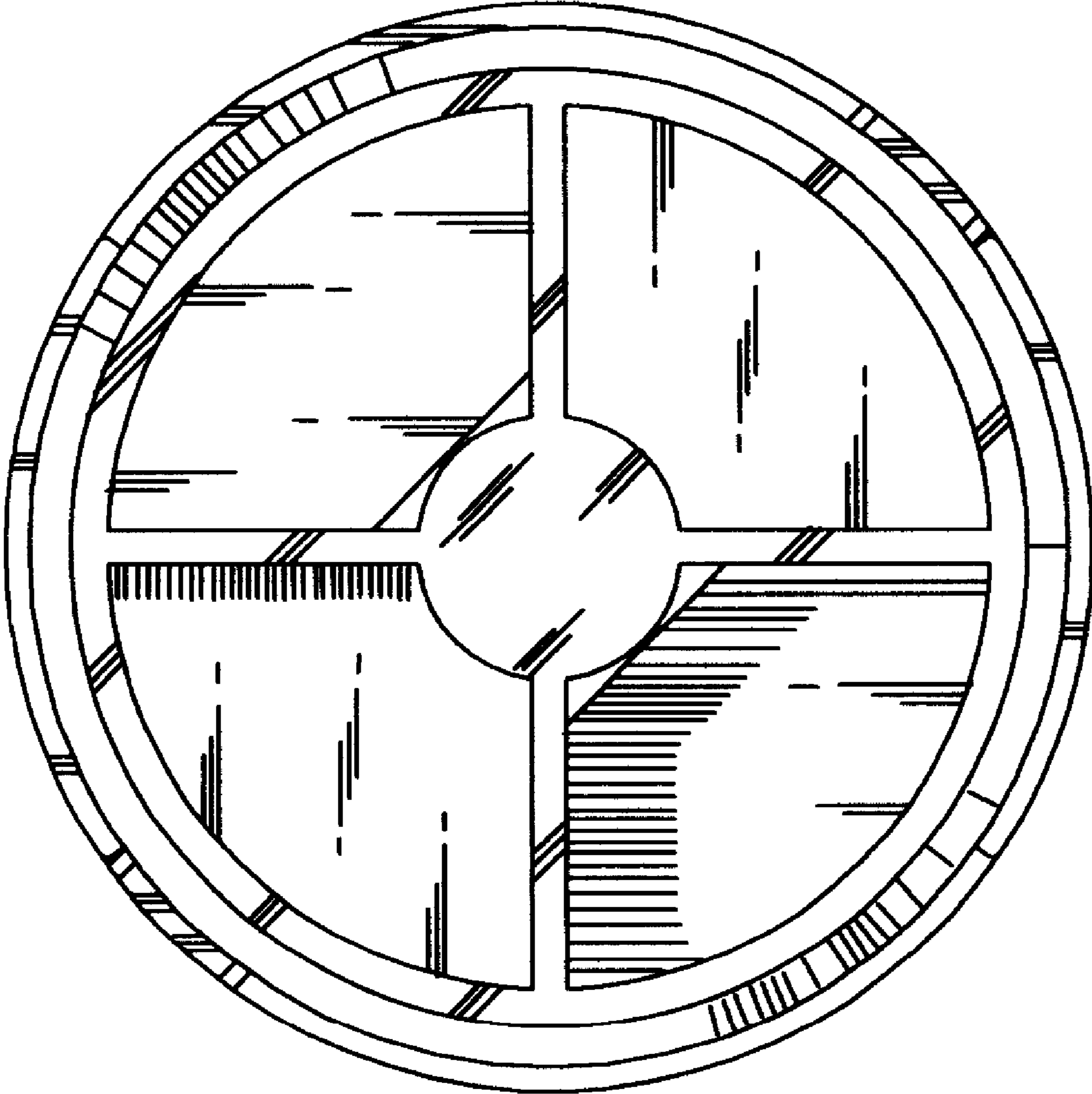


FIG. 5