

US00D520111S

(12) **United States Design Patent**
Cheng

(10) **Patent No.:** **US D520,111 S**

(45) **Date of Patent:** **** May 2, 2006**

(54) **FLUSH VALVE**

(75) **Inventor:** **Sunny Cheng**, Taichung (TW)

(73) **Assignee:** **Globe Union Industrial Corp.**,
Taichung (TW)

(**) **Term:** **14 Years**

(21) **Appl. No.:** **29/212,390**

(22) **Filed:** **Sep. 1, 2004**

(51) **LOC (8) Cl.** **23-01**

(52) **U.S. Cl.** **D23/233**

(58) **Field of Classification Search** D23/233-237,
D23/241-249, 252, 303, 259-260, 309; 251/15,
251/45, 17, 30.05, 38, 30.04, 40, 30.01, 243,
251/129.04, 236-238, 120, 299; 137/549,
137/360; 4/304-305, 422, DIG. 3, 378-404;
138/40

See application file for complete search history.

(56) **References Cited**

U.S. PATENT DOCUMENTS

D309,938 S * 8/1990 Schoepe et al. D23/236

D367,104 S * 2/1996 Allen et al. D23/245

D411,609 S * 6/1999 Stoltenberg et al. D23/233

D434,110 S * 11/2000 Kim D23/236

D470,222 S * 2/2003 Nortier D23/233

* cited by examiner

Primary Examiner—Caron D. Veynar

Assistant Examiner—Maurice Stevens

(74) *Attorney, Agent, or Firm*—Troxell Law Office, PLLC

(57) **CLAIM**

The ornamental design for a flush valve, as shown and described.

DESCRIPTION

FIG. 1 is a perspective view of flush valve showing my new design;

FIG. 2 is a front elevational view thereof;

FIG. 3 is a rear elevational view thereof;

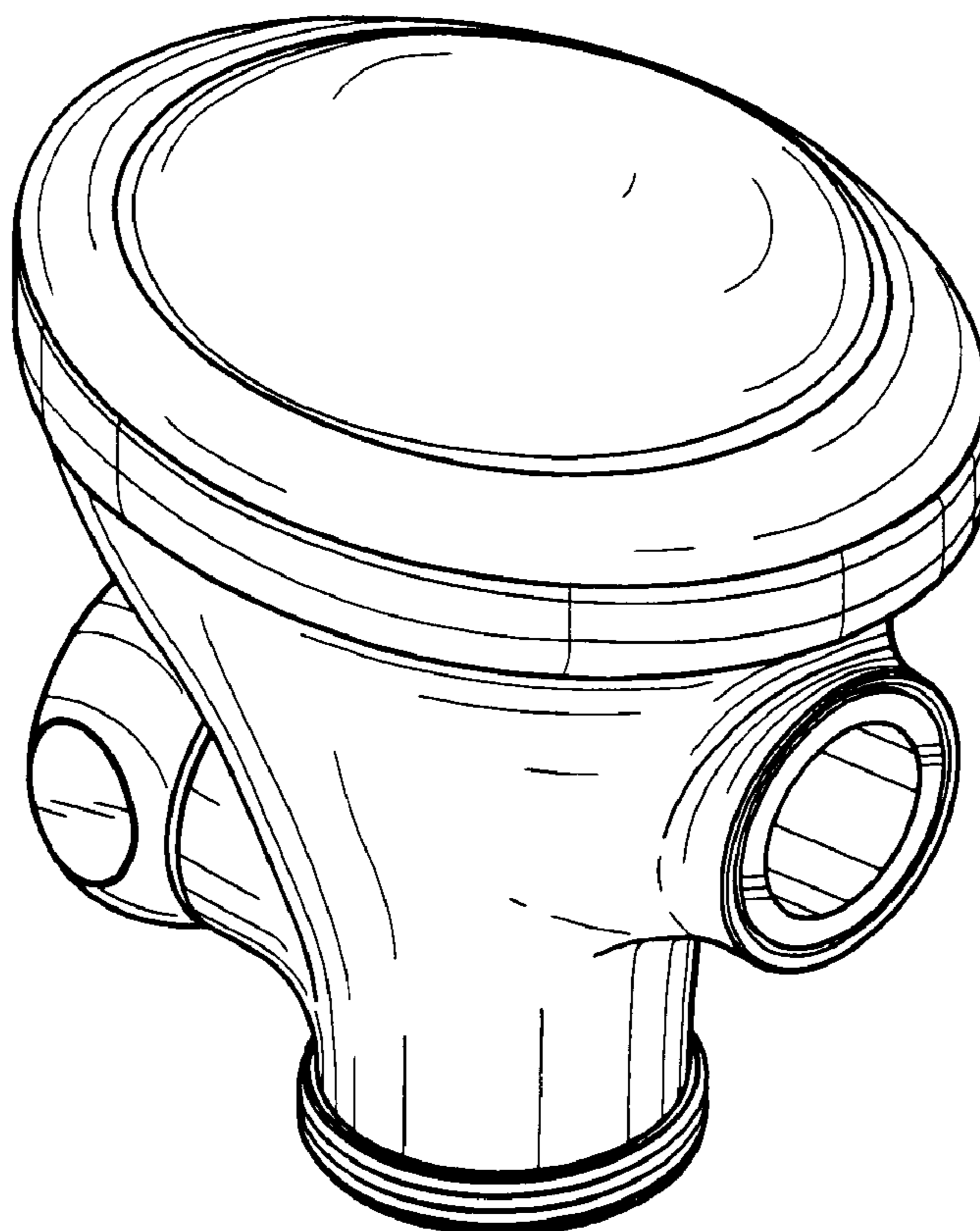
FIG. 4 is a left elevational view thereof;

FIG. 5 is a right elevational view thereof;

FIG. 6 is a top plan view thereof; and,

FIG. 7 is a bottom plan view thereof.

1 Claim, 4 Drawing Sheets



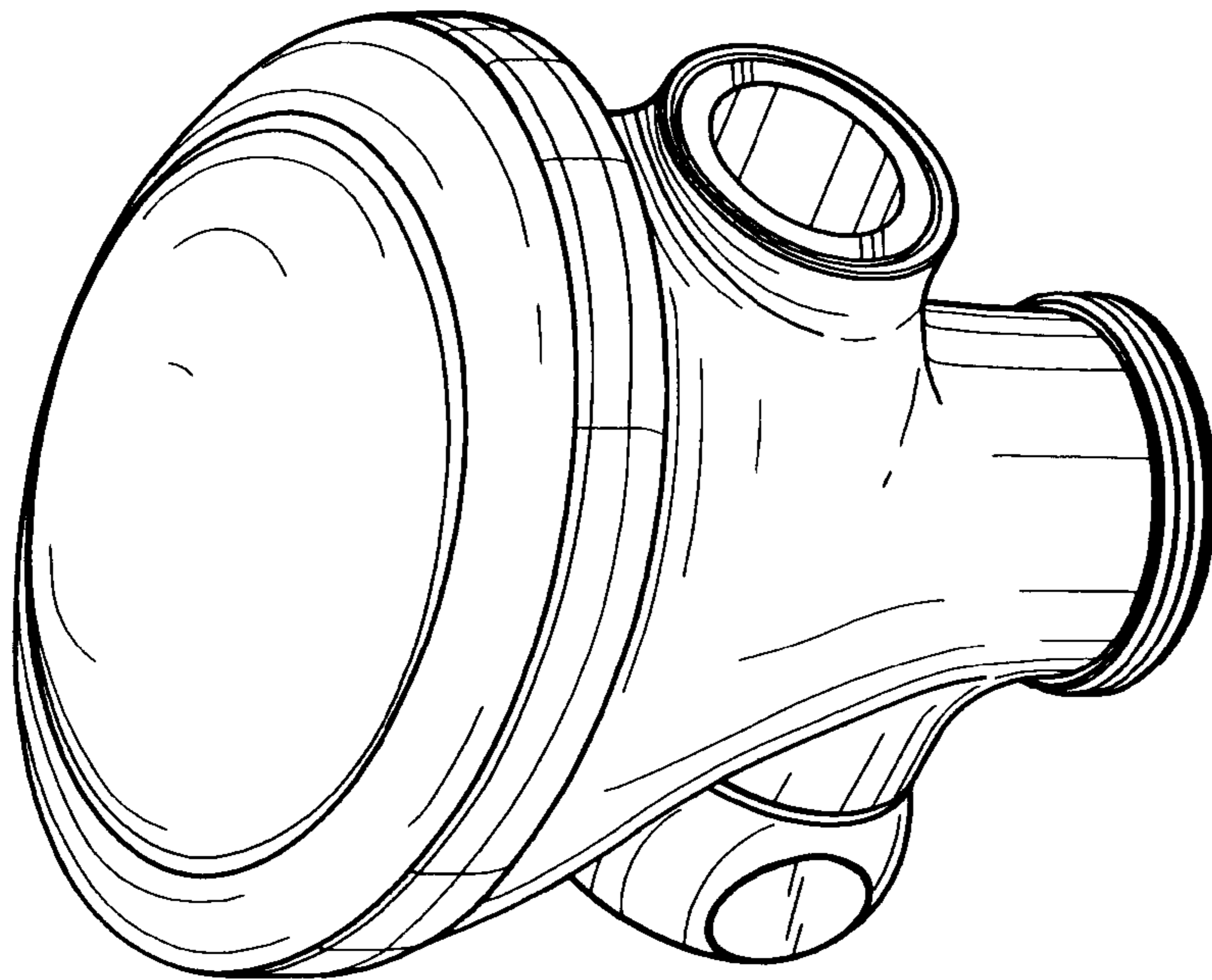


FIG. 1

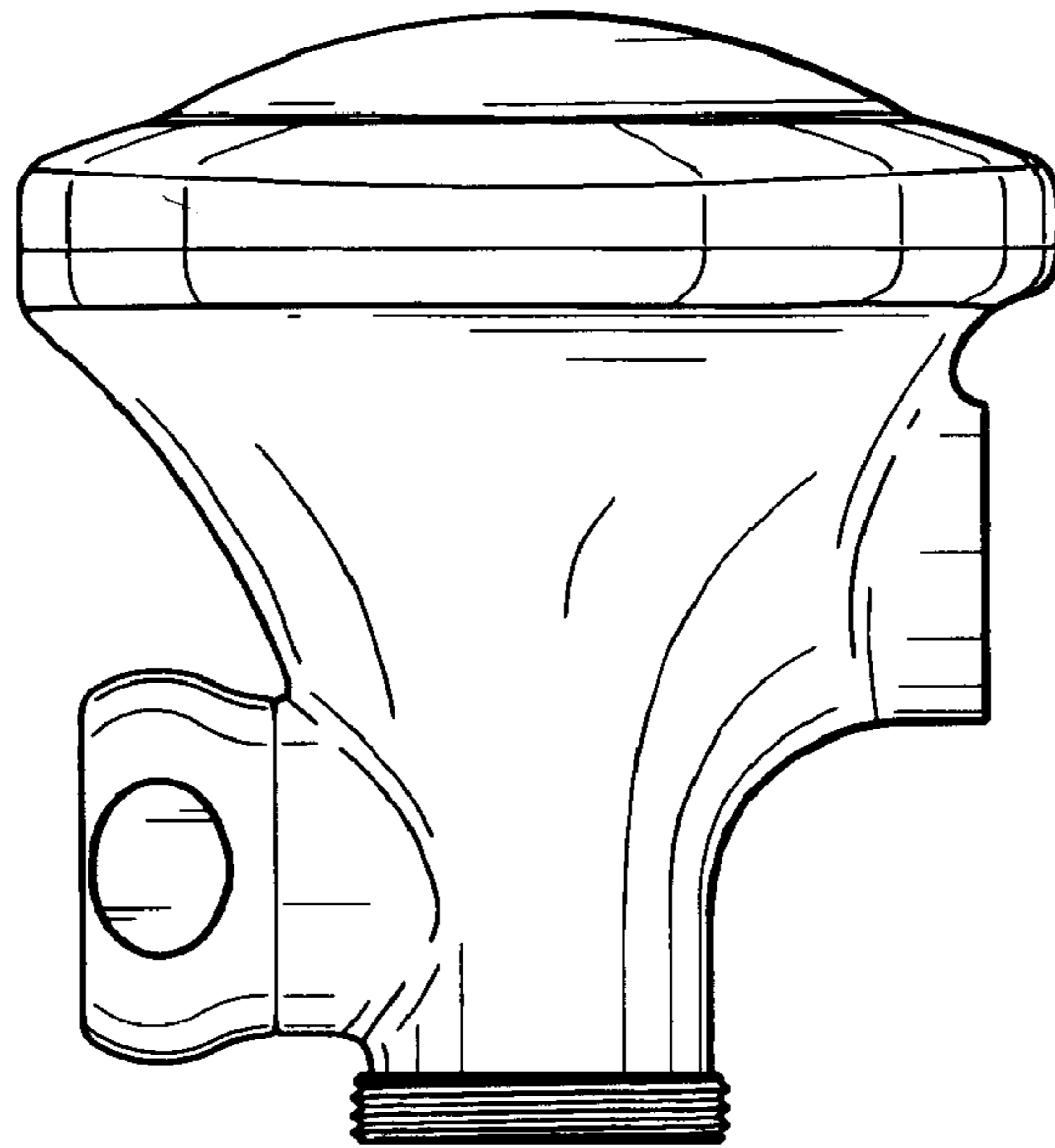


FIG. 2

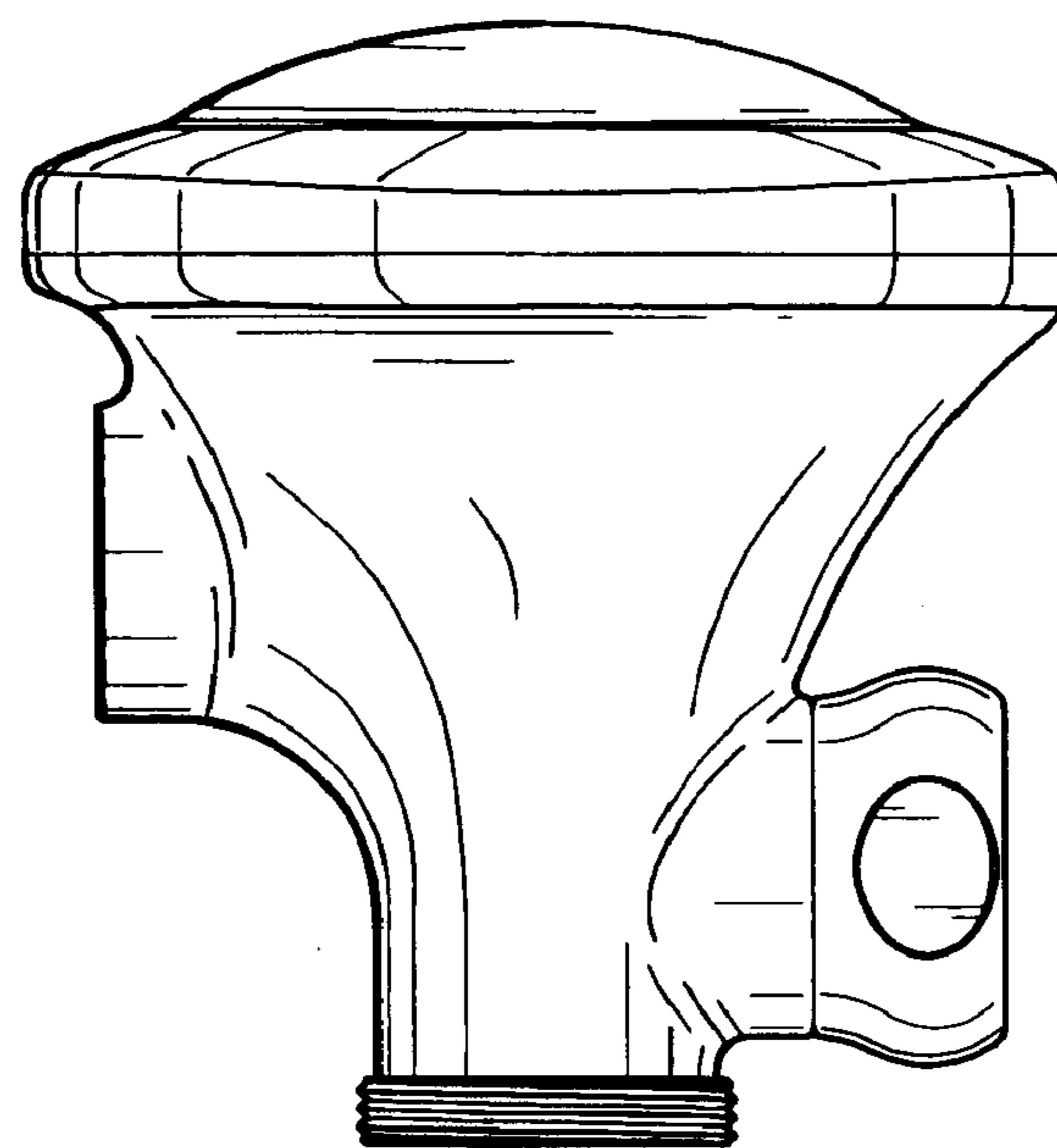


FIG. 3

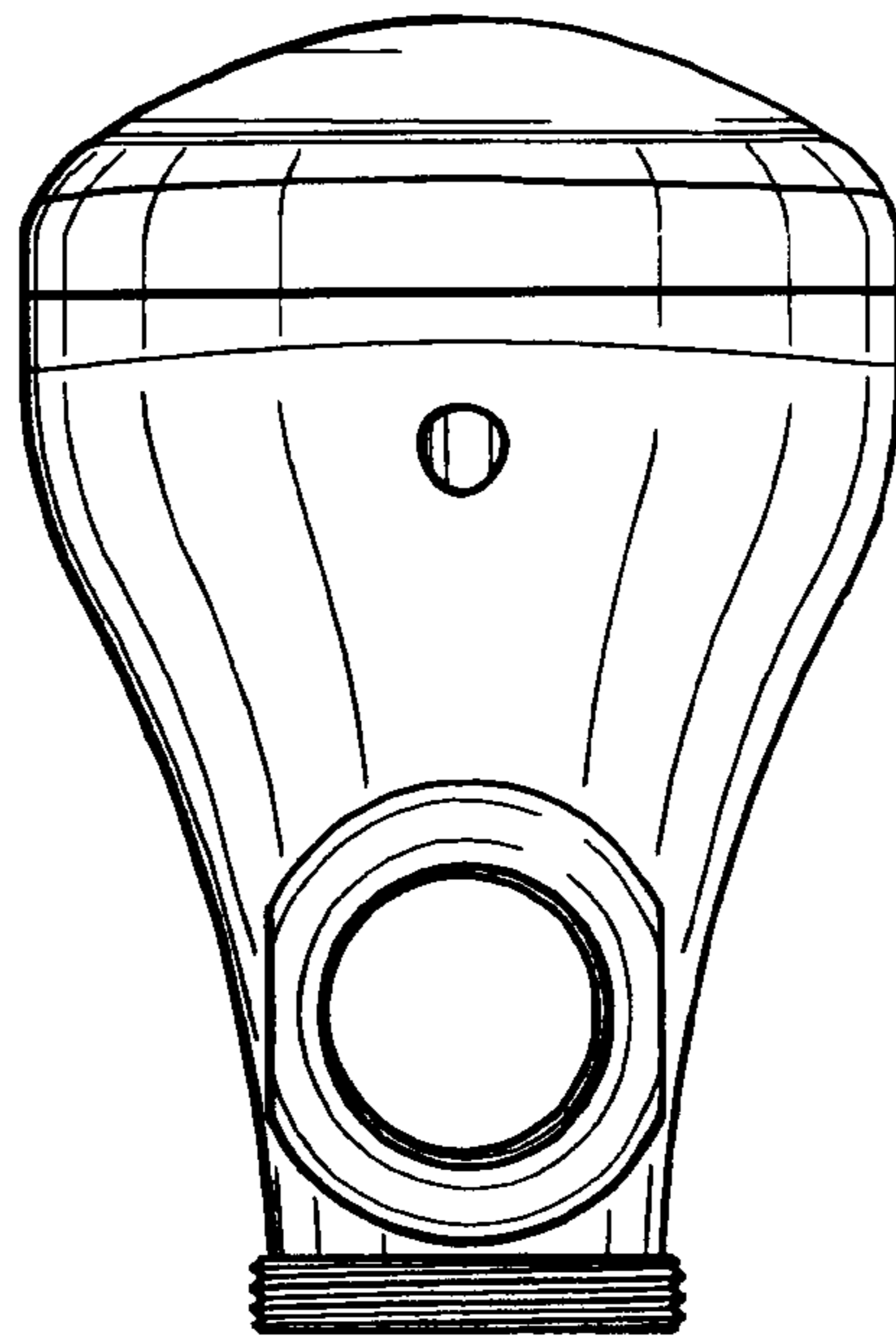


FIG. 4

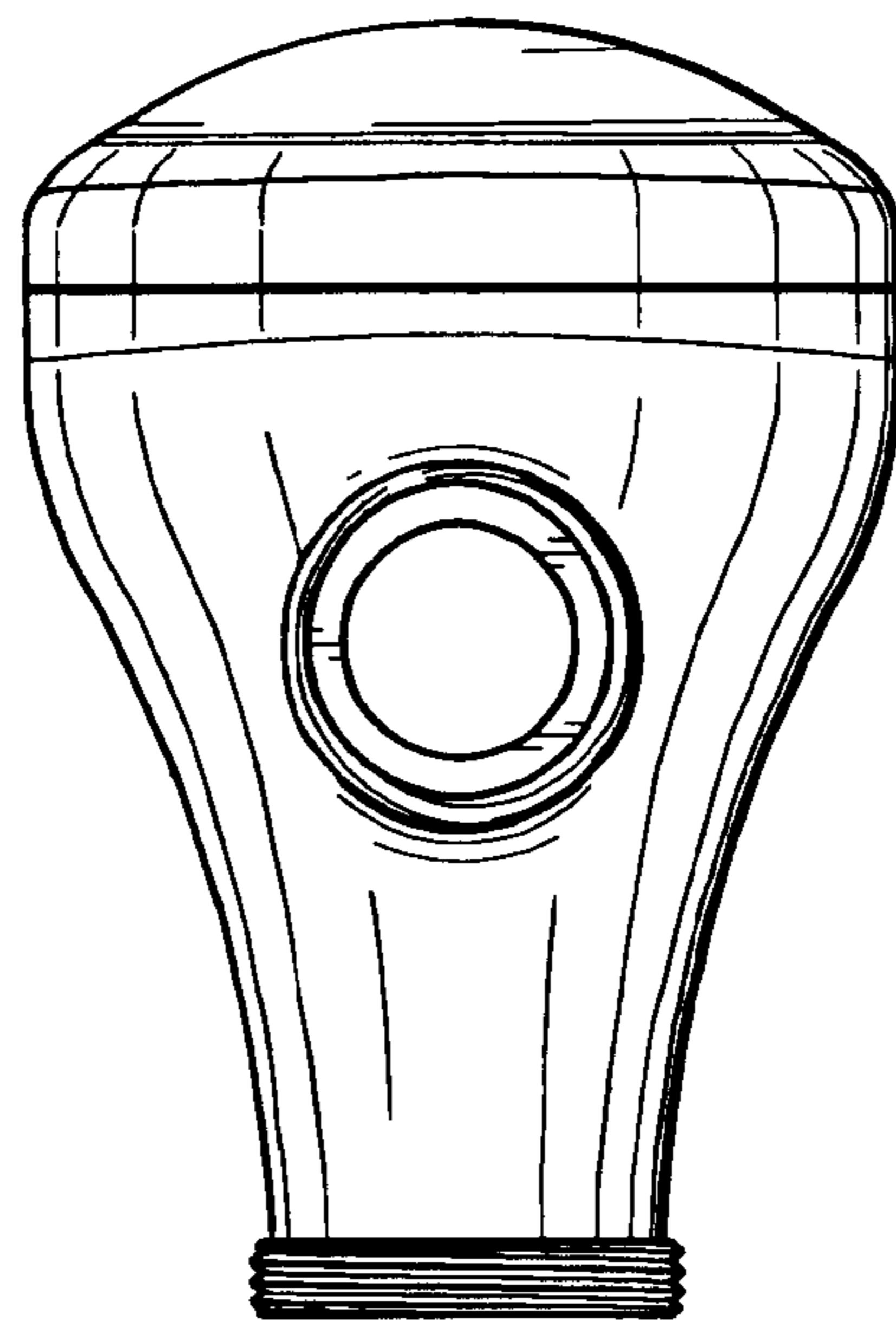


FIG. 5

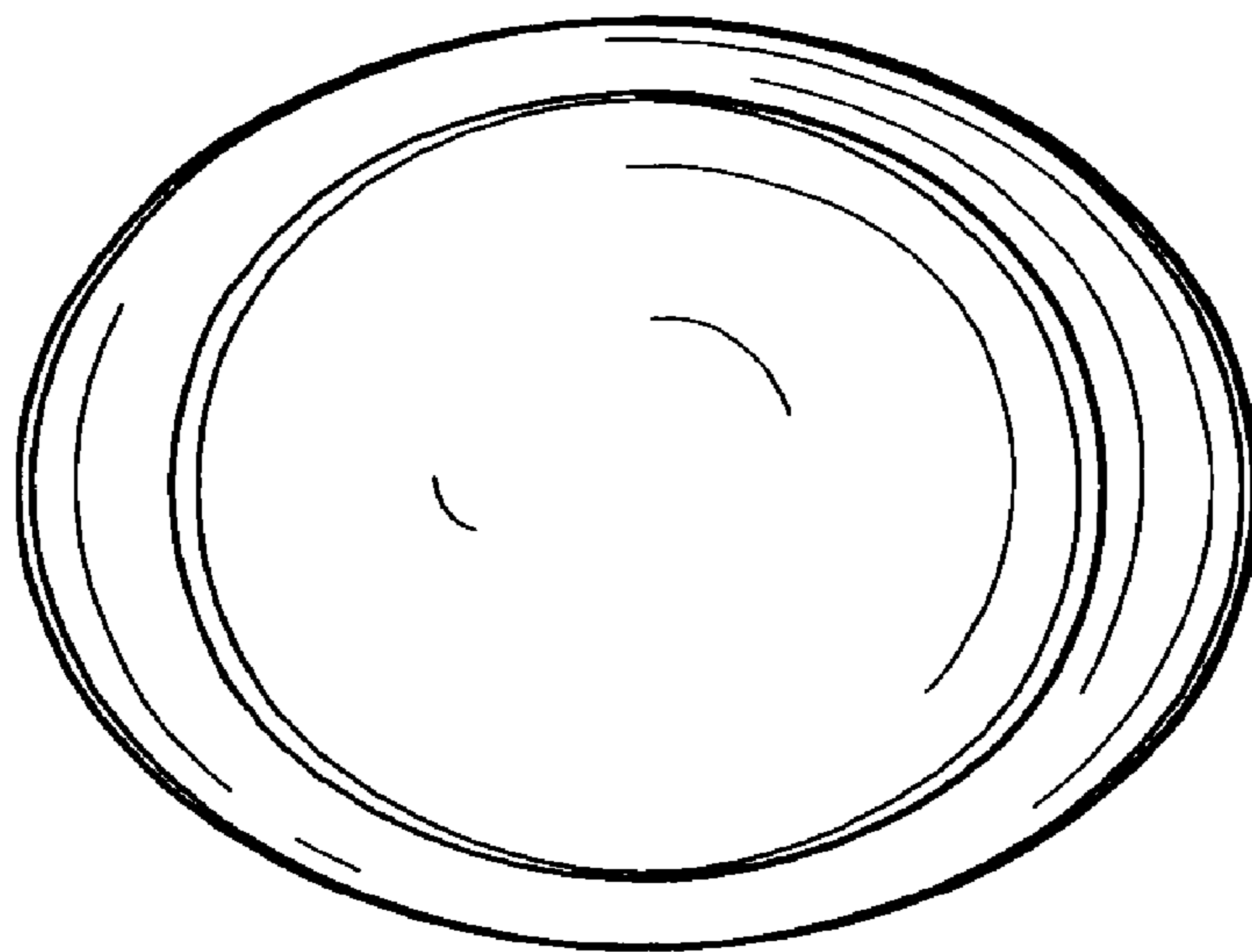


FIG. 6

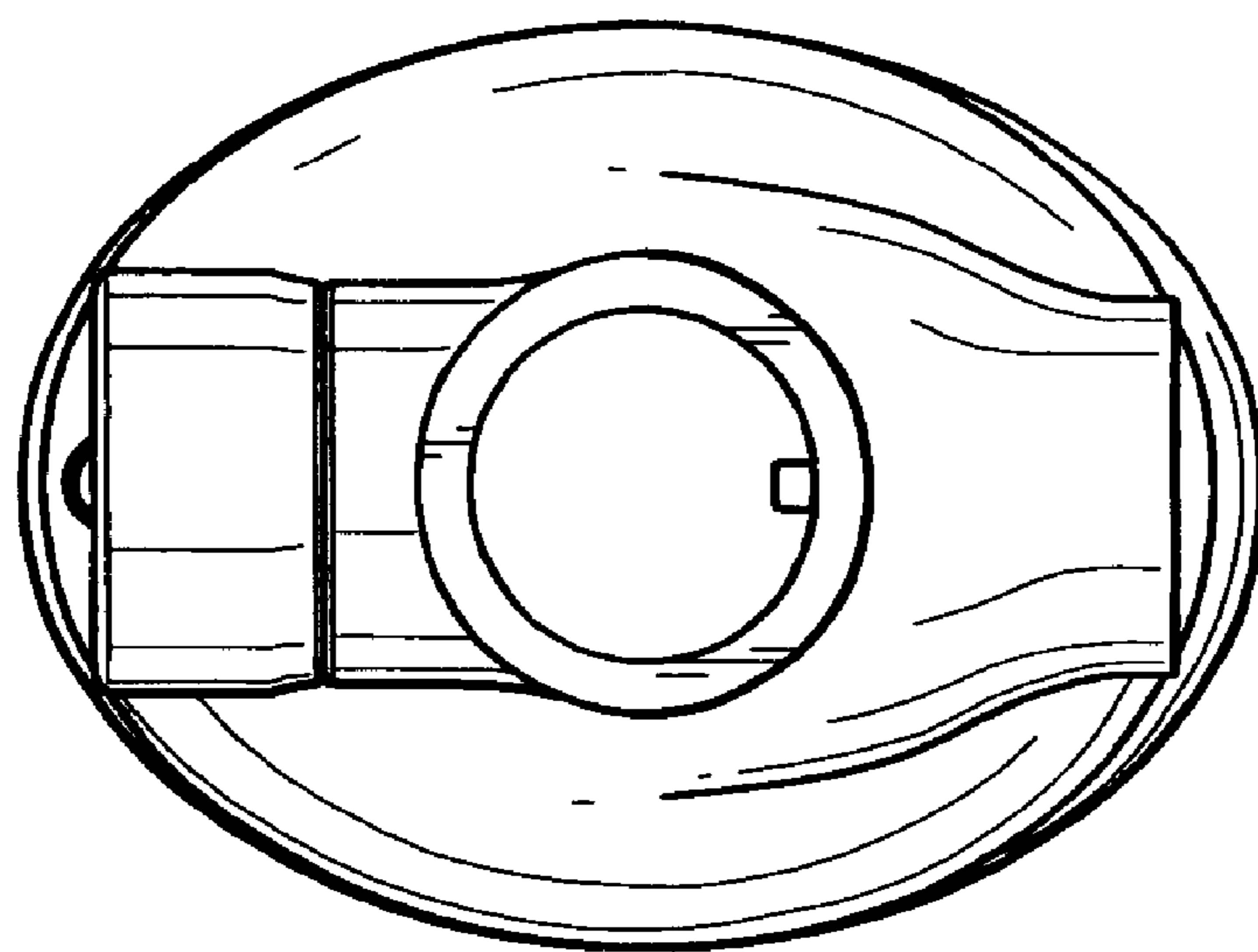


FIG. 7