

US00D520108S

(12) **United States Design Patent**
Patel et al.

(10) **Patent No.:** **US D520,108 S**

(45) **Date of Patent:** **** May 2, 2006**

(54) **FLUID DISTRIBUTION DEVICE**
(75) Inventors: **Kaushik Ishwarbhai Patel**, Northwood (GB); **Yui Phong Yung**, London (GB)

D305,791 S * 1/1990 Lang D23/214
D378,399 S * 3/1997 Simonetti et al. D23/214
D466,973 S * 12/2002 Clivio D23/214
D487,300 S * 3/2004 Clivio D23/214

(73) Assignee: **Hozelock Limited**, Aylesbury (GB)

* cited by examiner

(**) Term: **14 Years**

Primary Examiner—Robin V. Webster
(74) *Attorney, Agent, or Firm*—Barnes & Thornburg LLP

(21) Appl. No.: **29/218,903**

(22) Filed: **Dec. 9, 2004**

(57) **CLAIM**

(30) **Foreign Application Priority Data**

We claim the ornamental design for a fluid distribution device, as shown.

Jun. 11, 2004 (EM) 000191051

DESCRIPTION

(51) **LOC (8) Cl.** **23-01**

(52) **U.S. Cl.** **D23/214**

(58) **Field of Classification Search** D23/213,
D23/214, 221; 239/222, 222.13, 273, 276,
239/200

FIG. 1 is a top plan view of the fluid distribution device showing our new design;

FIG. 2 is a rear view thereof;

FIG. 3 is a side view thereof;

FIG. 4 is a front view thereof;

FIG. 5 is a bottom plan view thereof; and,

FIG. 6 is a perspective view thereof.

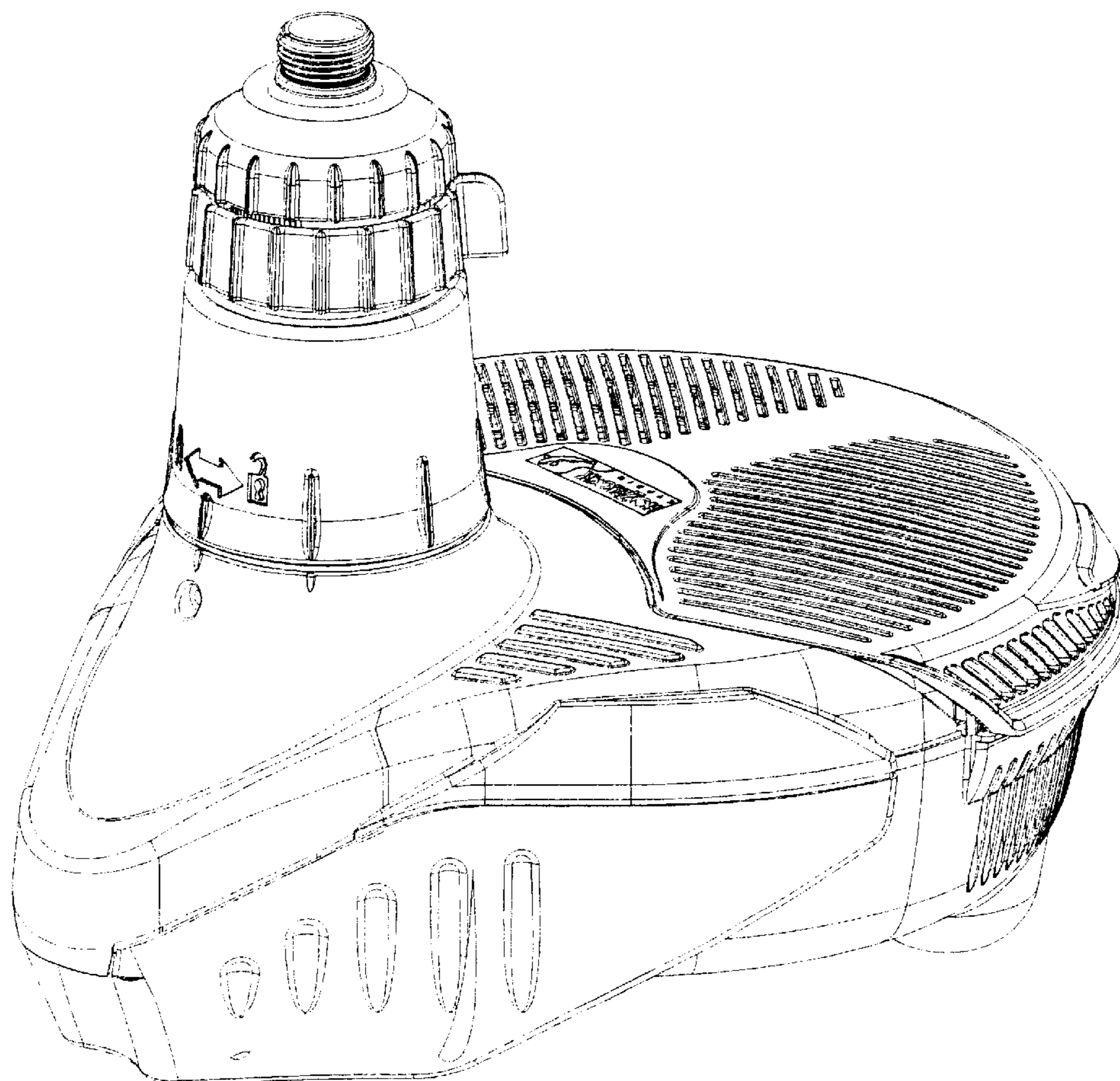
See application file for complete search history.

(56) **References Cited**

U.S. PATENT DOCUMENTS

2,231,422 A * 2/1941 Hoffman 239/251

1 Claim, 6 Drawing Sheets



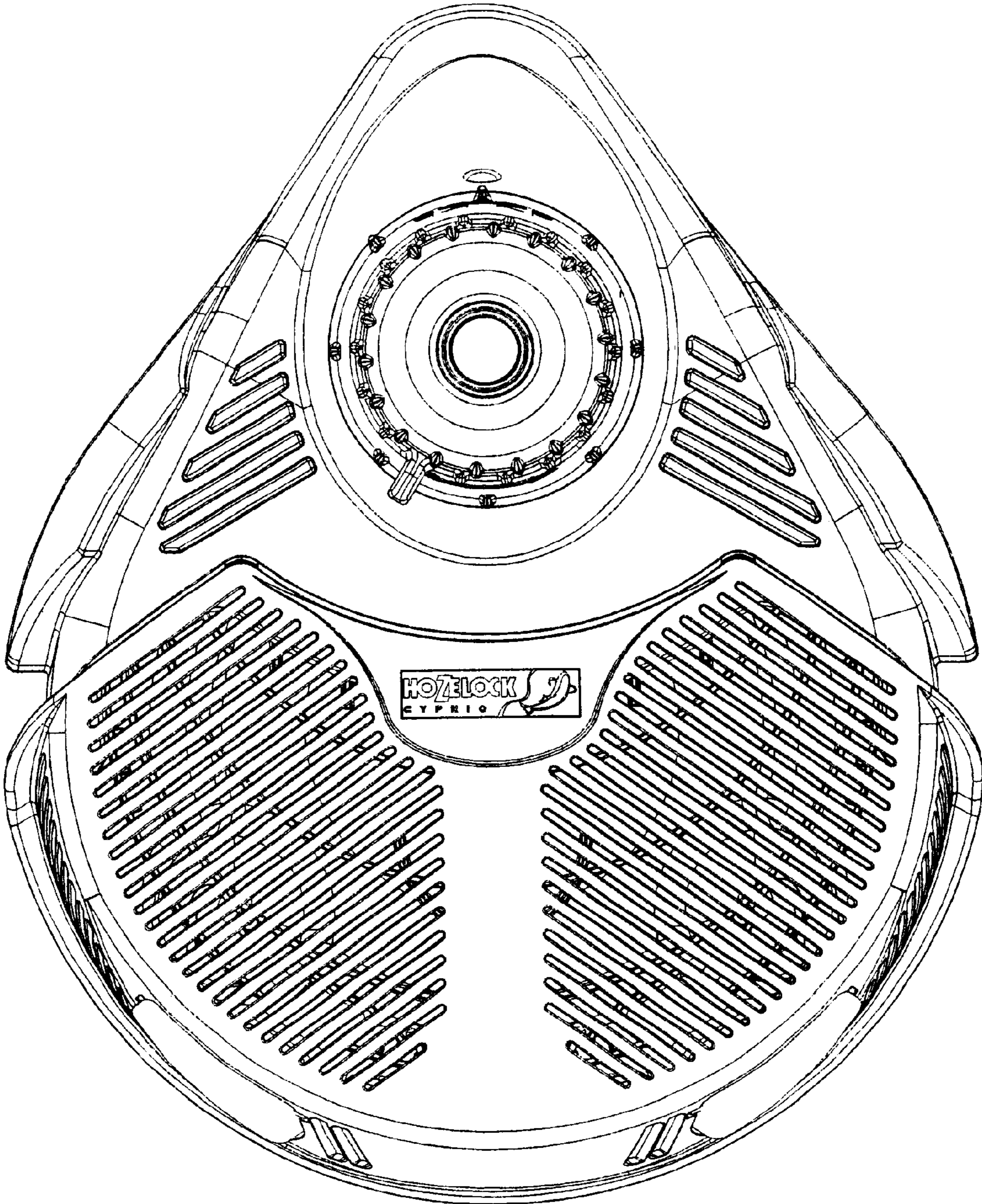


FIGURE 1

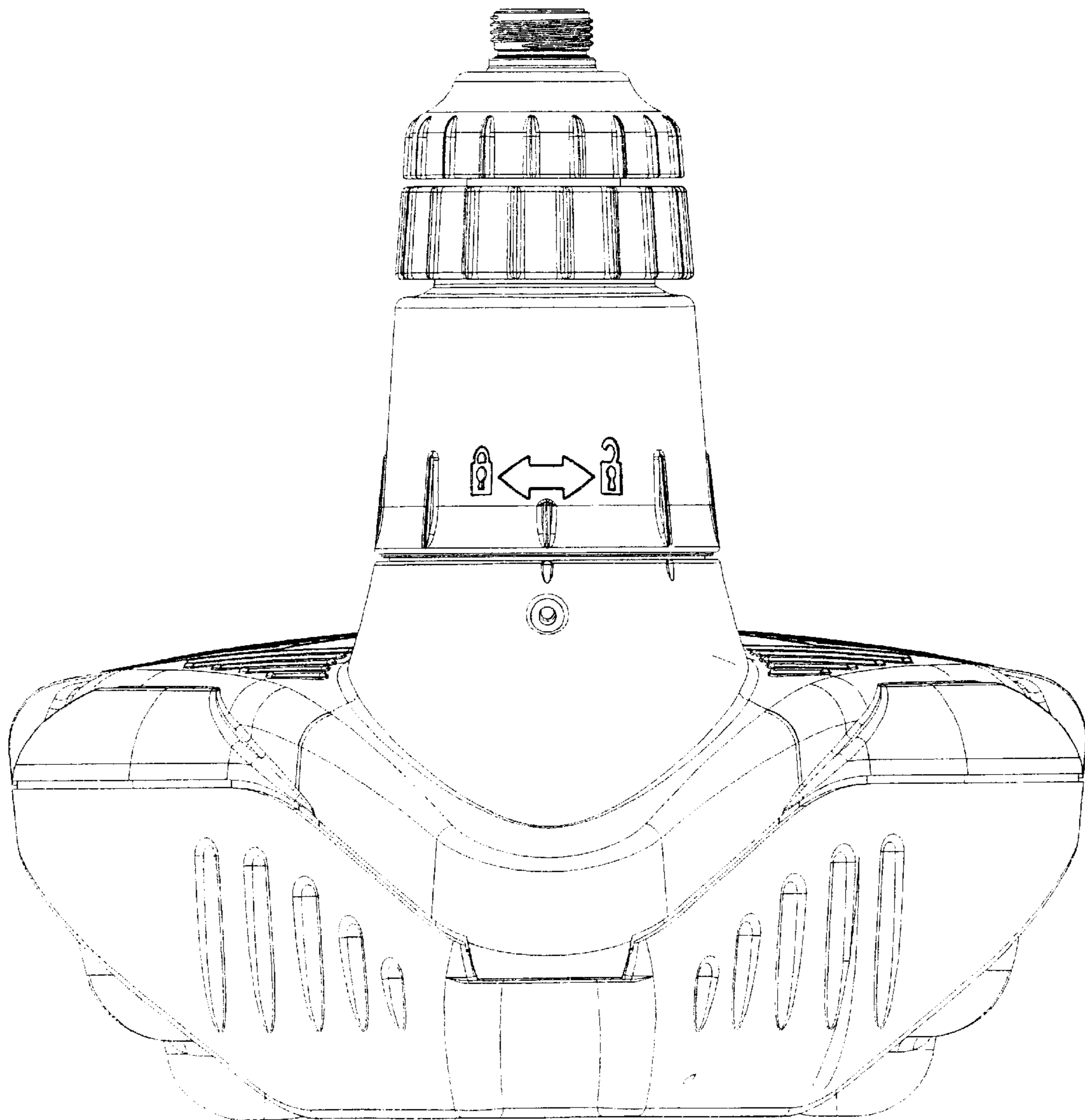


FIGURE 2

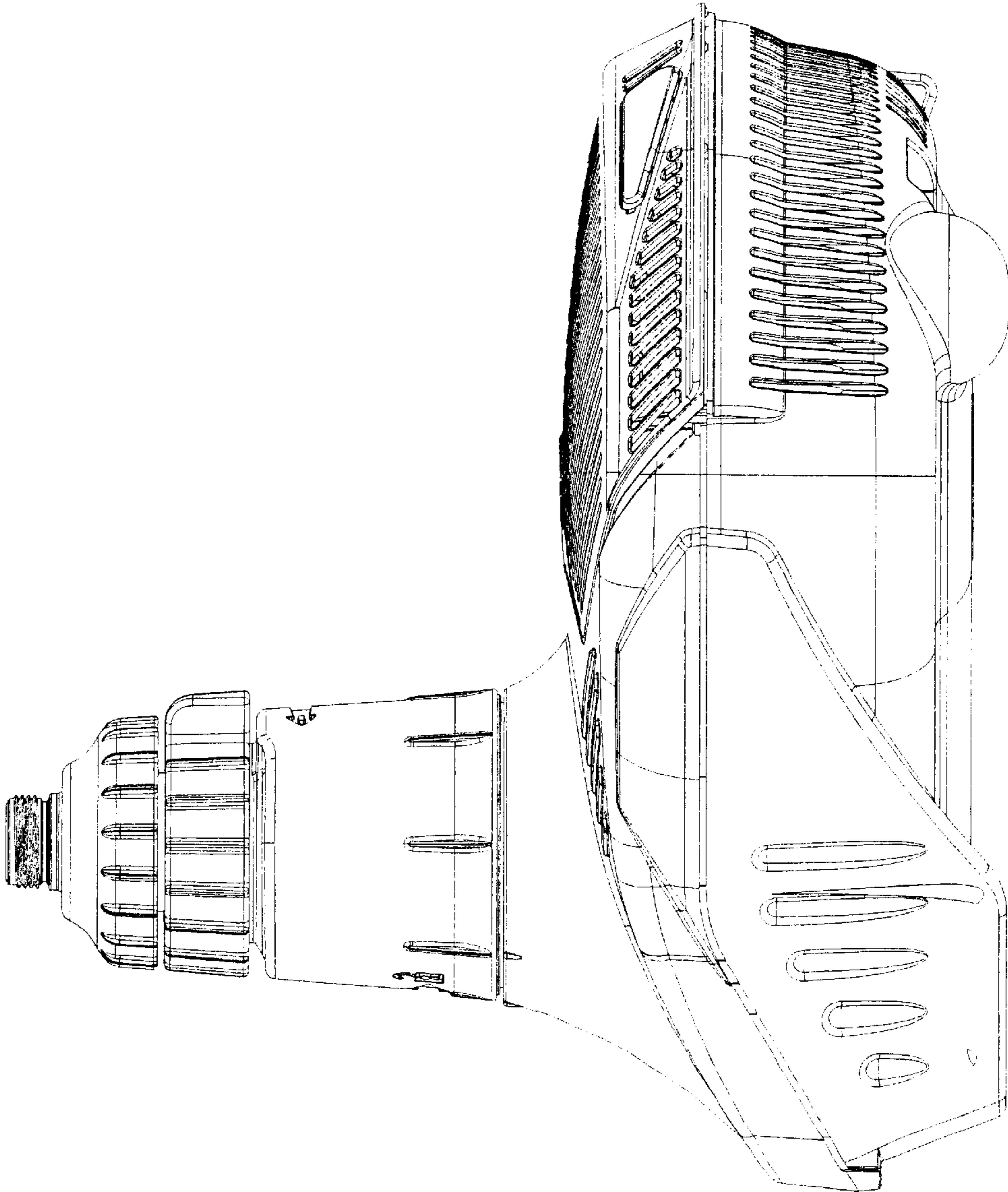


FIGURE 3

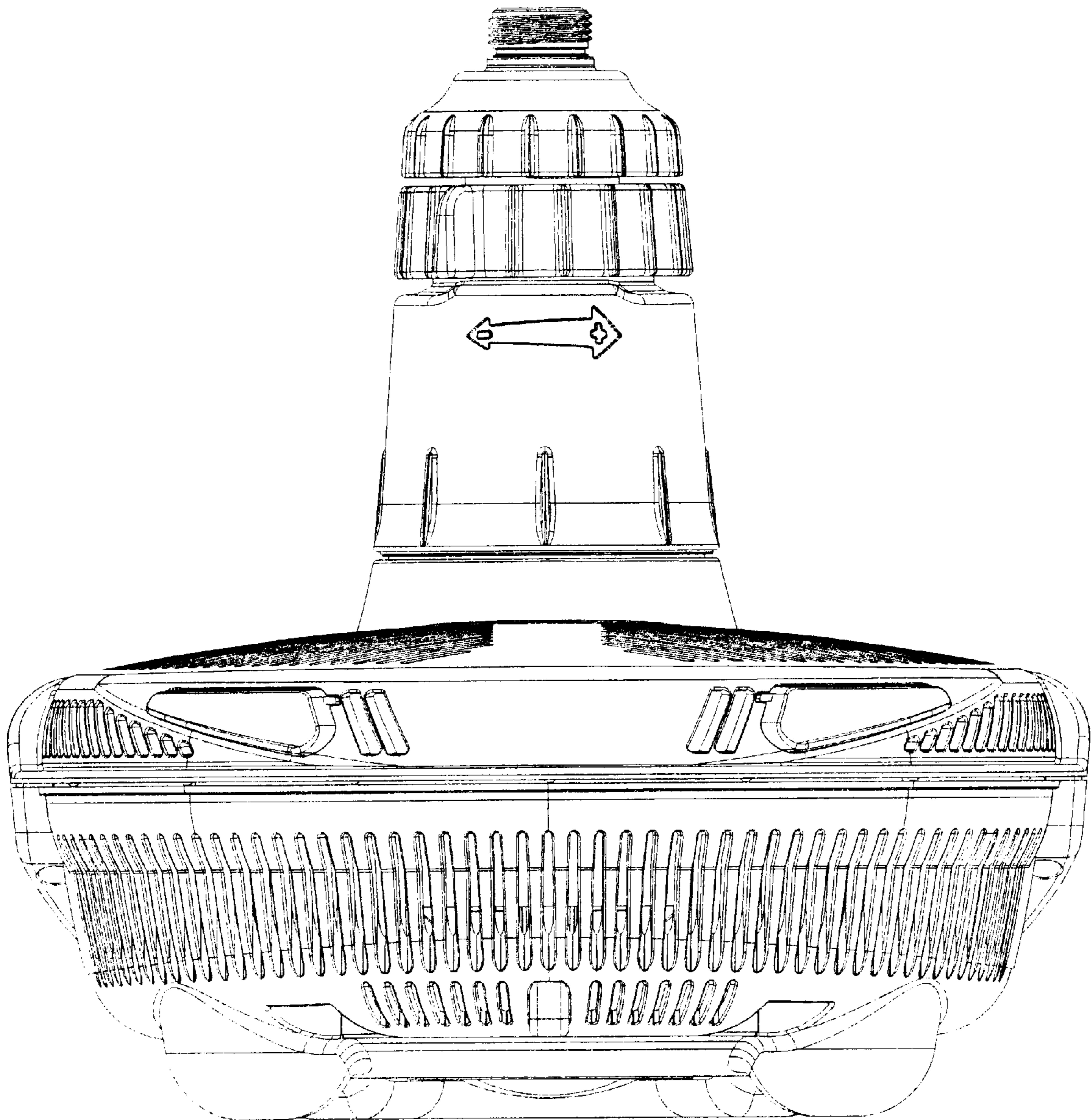


FIGURE 4

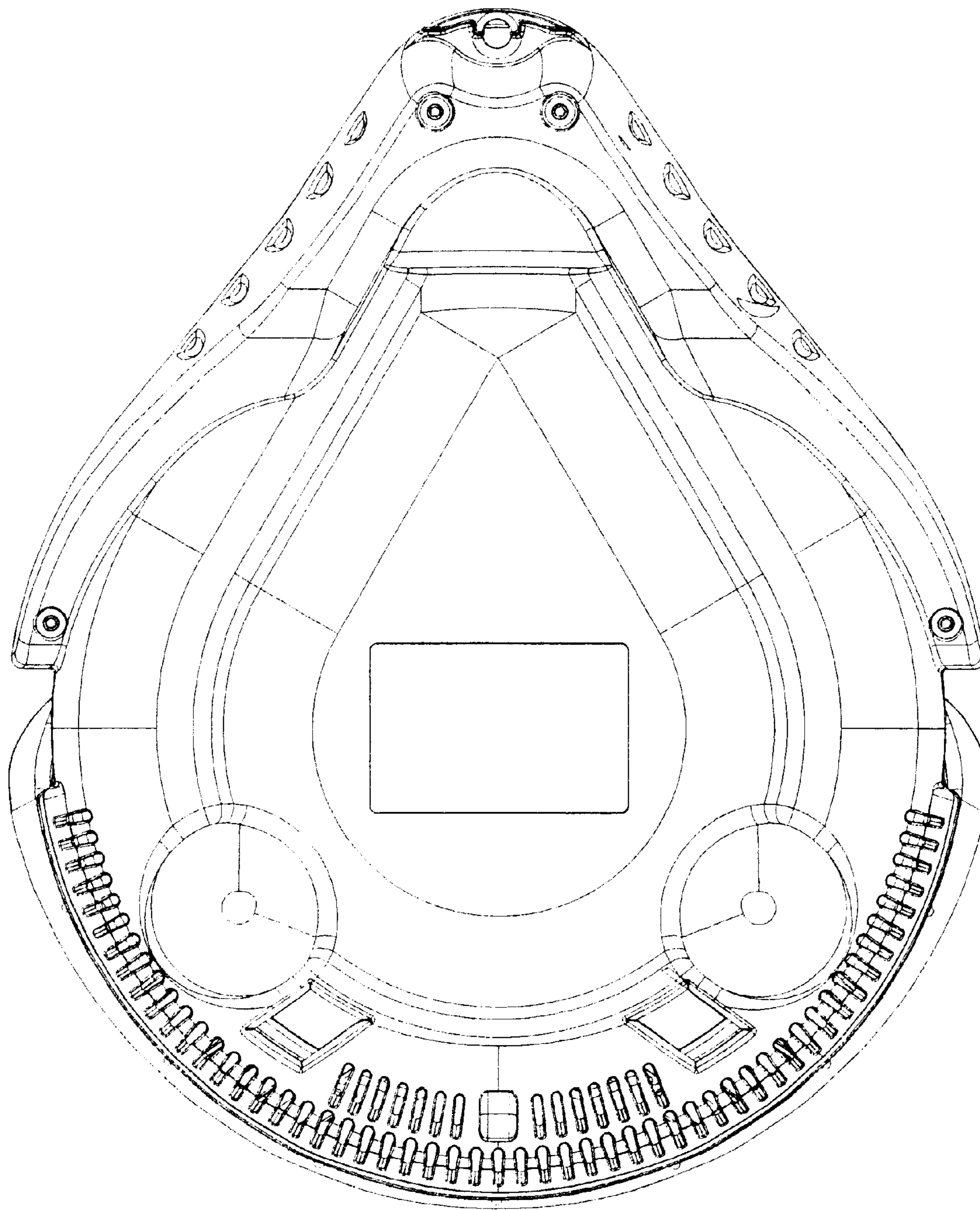


FIGURE 5

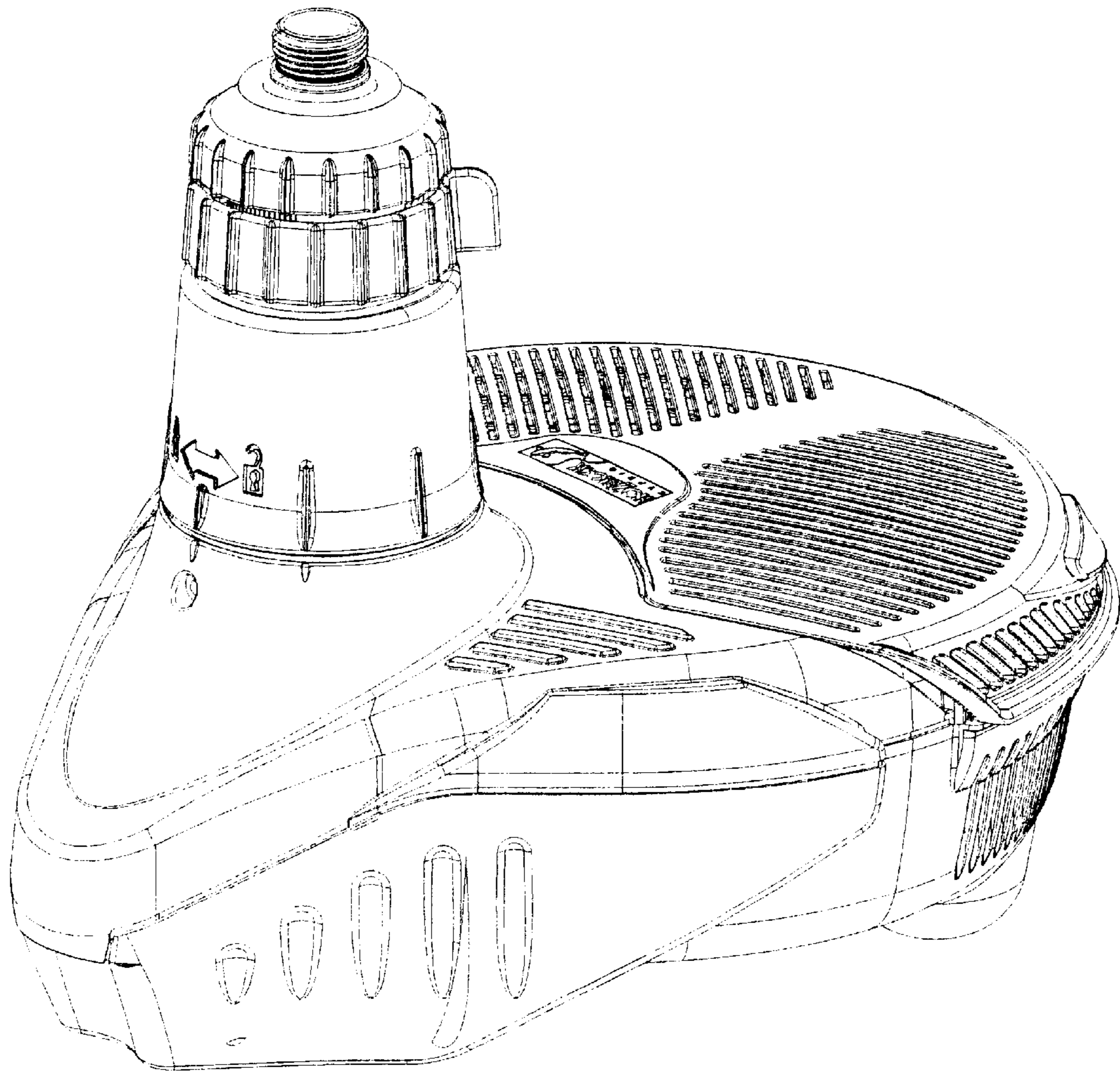


FIGURE 6