

US00D520107S

(12) **United States Design Patent**
Jones et al.

(10) **Patent No.:** **US D520,107 S**

(45) **Date of Patent:** **** May 2, 2006**

(54) **NOZZLE**

D330,407 S * 10/1992 Raffo D23/213
D371,426 S * 7/1996 Darin D23/213

(75) Inventors: **Garrett Wade Jones**, Lindale, TX (US); **Robert Wayne Jones**, Lindale, TX (US); **Kazuto Otsuba**, Longview, TX (US); **Christopher Michael Vasiliotis**, Lindale, TX (US)

* cited by examiner

Primary Examiner—Robin Webster
(74) *Attorney, Agent, or Firm*—Scott L. Harper; Carstens & Cahoon, LLP

(73) Assignee: **LJC Technologies, LLC**, Tyler, TX (US)

(57) **CLAIM**

The ornamental design for a nozzle, as shown and described.

(**) Term: **14 Years**

DESCRIPTION

(21) Appl. No.: **29/218,560**

FIG. 1 is a perspective view of the nozzle of the present invention;

(22) Filed: **Dec. 3, 2004**

FIG. 2 is a left elevation view of the nozzle of the present invention, with the right elevation view a mirror image of the left elevation view;

(51) **LOC (8) Cl.** **23-01**

(52) **U.S. Cl.** **D23/213**

(58) **Field of Classification Search** D23/213;
239/459; D12/345; 29/890.141, 890.142,
29/890.143

FIG. 3 is a front elevation view of the nozzle of the present invention;

FIG. 4 is a rear elevation view of the nozzle of the present invention; and,

See application file for complete search history.

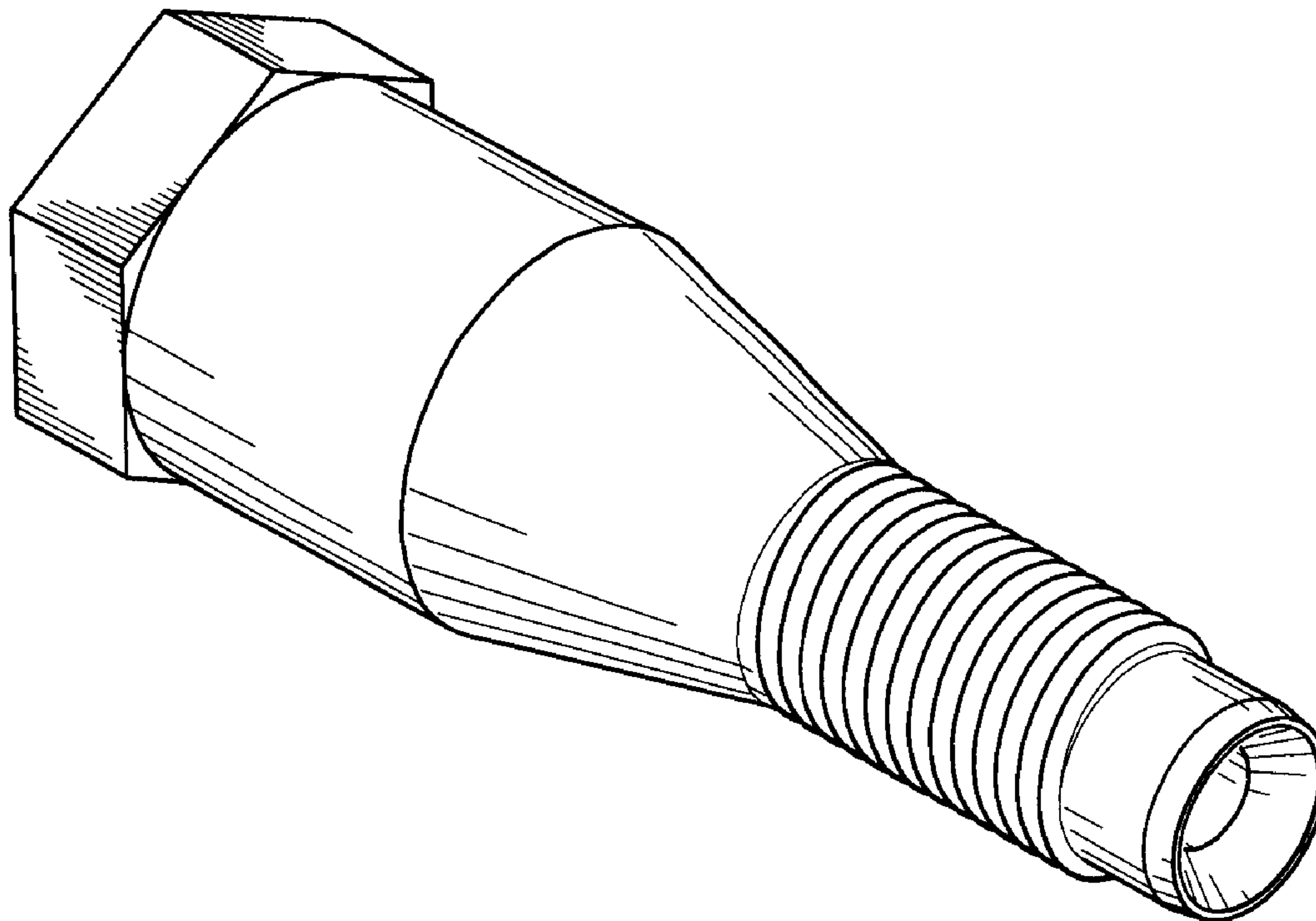
FIG. 5 is a top elevation view of the nozzle of the present invention, with the bottom elevation view a mirror image of the top elevation view.

(56) **References Cited**

U.S. PATENT DOCUMENTS

1,937,427 A * 11/1933 Hanlan 239/458

1 Claim, 1 Drawing Sheet



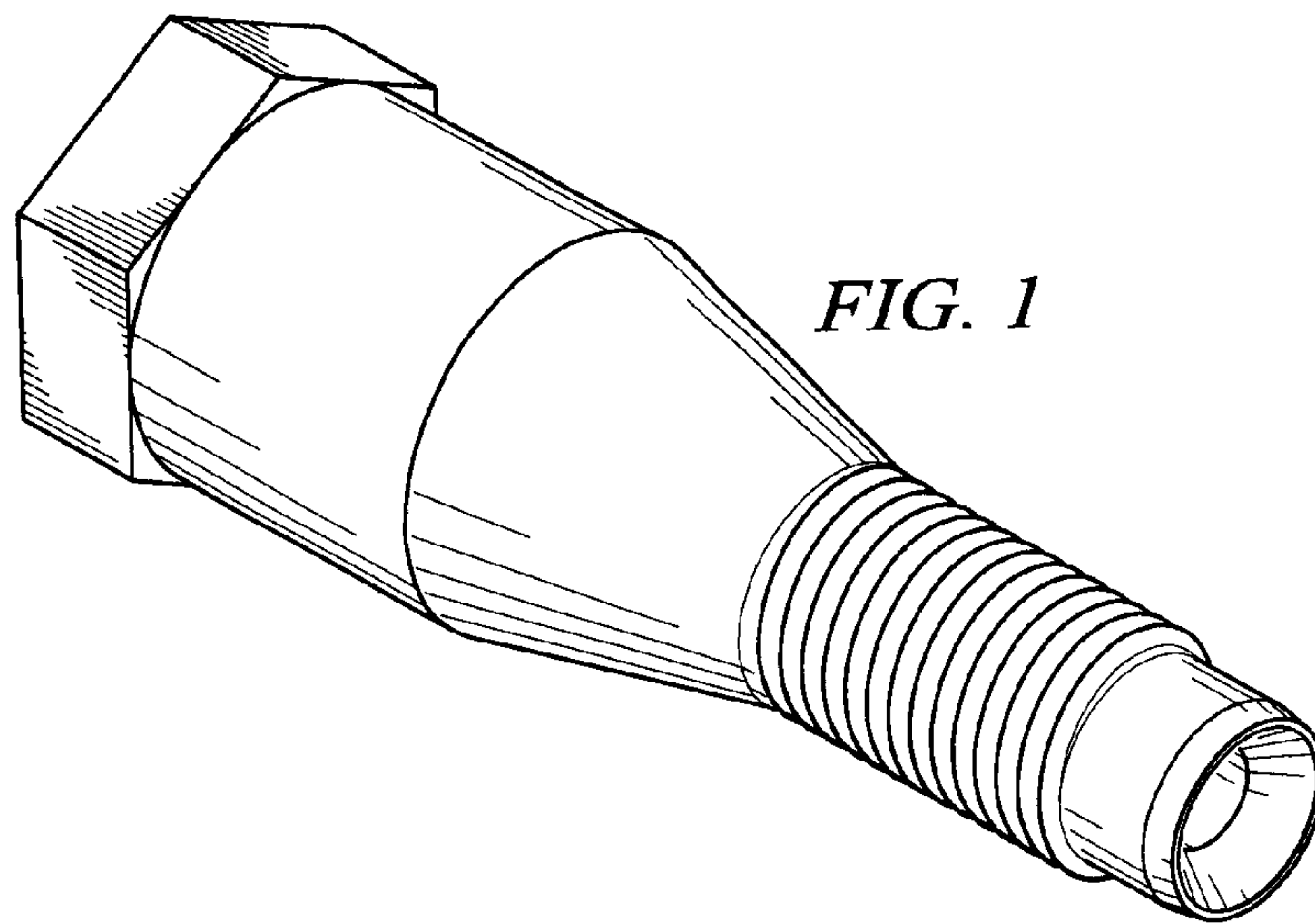


FIG. 1

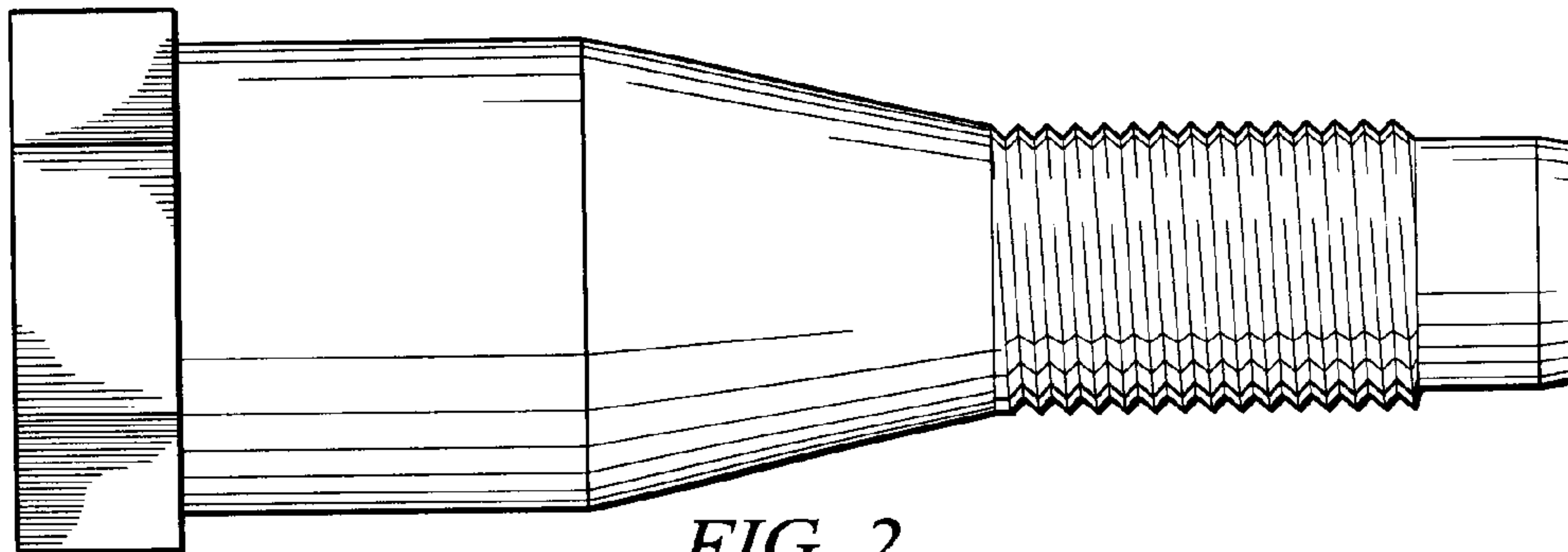


FIG. 2

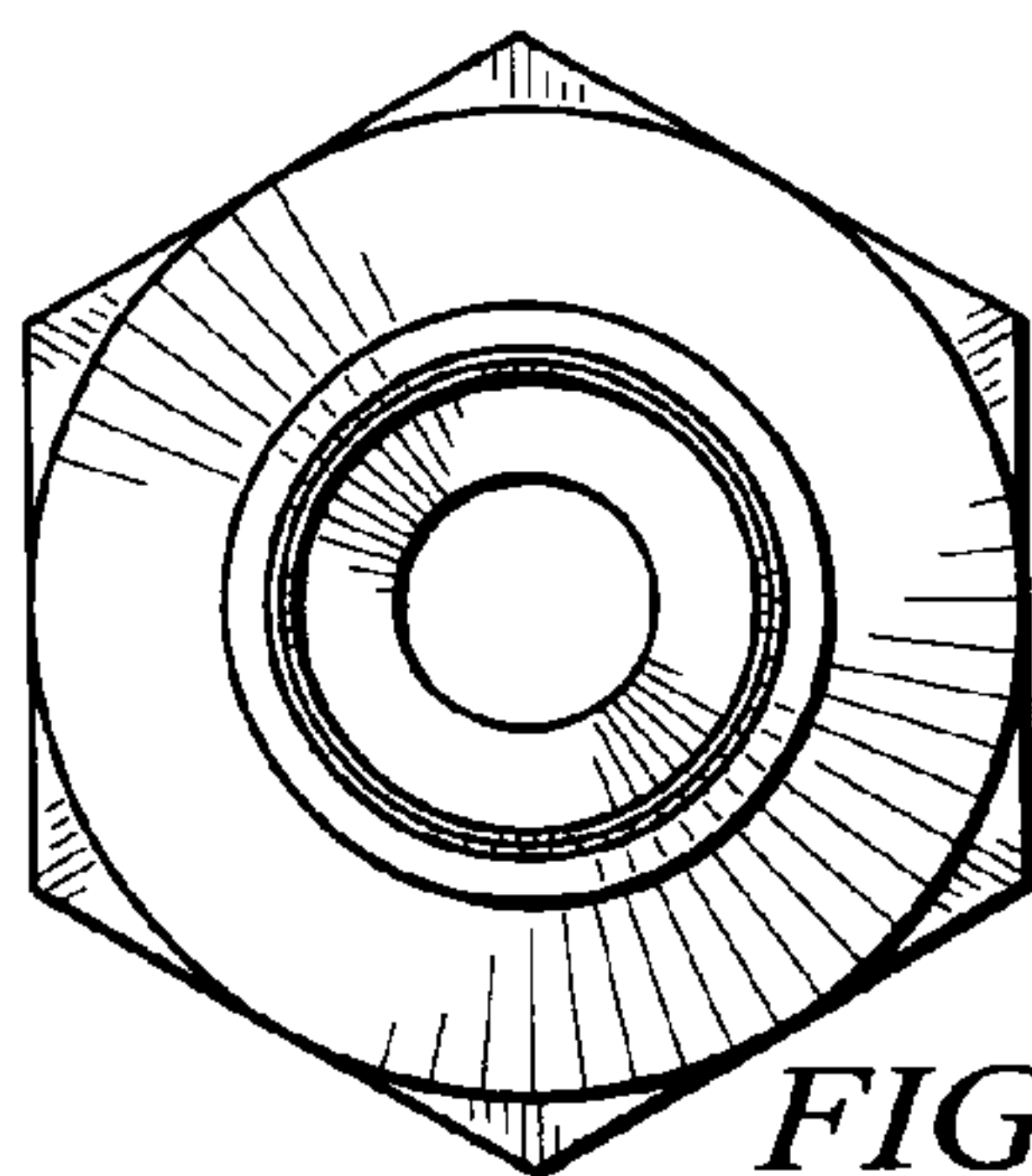


FIG. 3

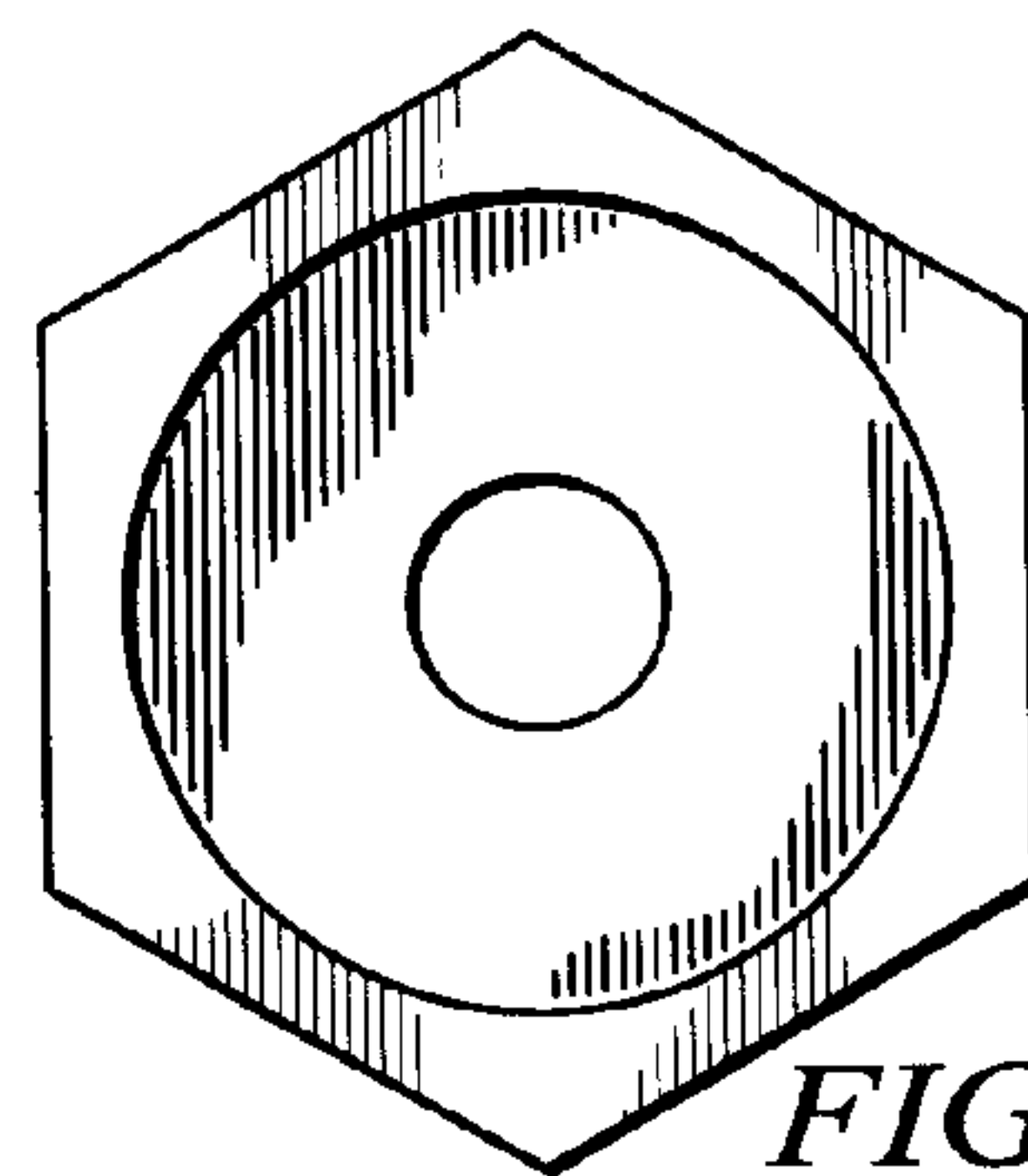


FIG. 4

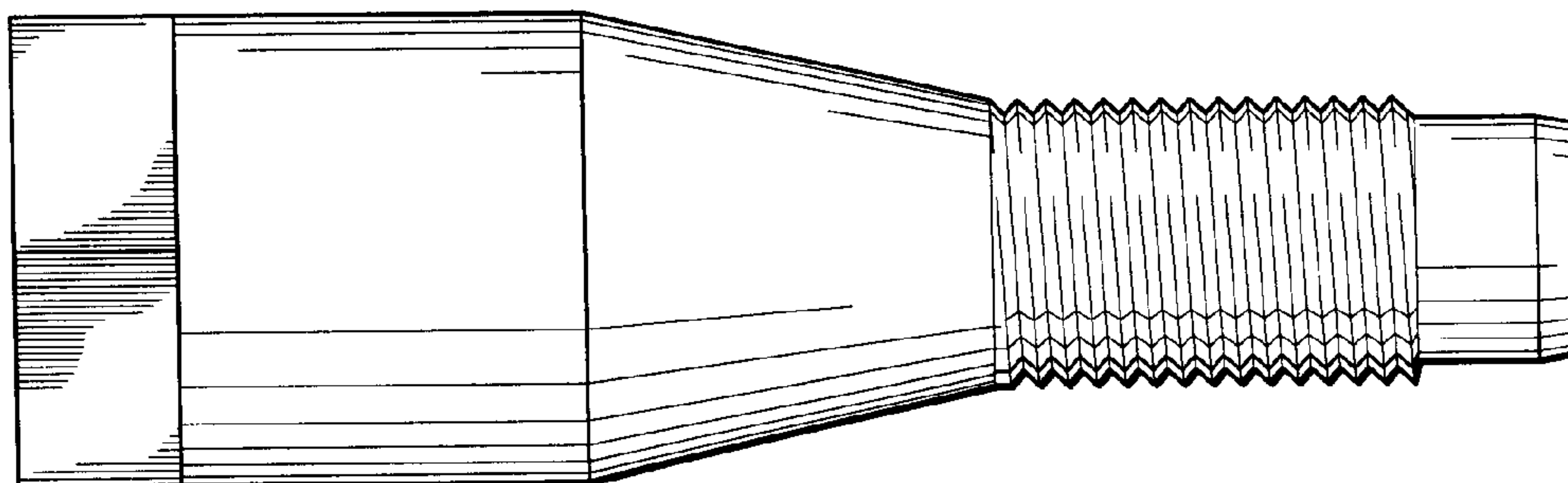


FIG. 5