

US00D520104S

(12) **United States Design Patent**  
**Wang**

(10) **Patent No.:** **US D520,104 S**

(45) **Date of Patent:** **\*\* May 2, 2006**

(54) **HANGING FILTER FOR AQUARIUM**

D441,829 S \* 5/2001 Wang ..... D23/210  
D473,282 S \* 4/2003 Lin ..... D23/210  
D505,711 S \* 5/2005 Wu ..... D23/210

(75) Inventor: **Chiao-Ming Wang**, Taichung Hsien  
(TW)

\* cited by examiner

(73) Assignee: **Meiko Pet Corporation**, Taichung  
Hsien (TW)

*Primary Examiner*—Robin Webster

(74) *Attorney, Agent, or Firm*—Troxell Law Office, PLLC

(\*\*) Term: **14 Years**

(57) **CLAIM**

(21) Appl. No.: **29/221,843**

The ornamental design for a hanging filter for aquarium, as shown and described.

(22) Filed: **Jan. 24, 2005**

**DESCRIPTION**

(51) **LOC (8) Cl.** ..... **23-01**

(52) **U.S. Cl.** ..... **D23/210**

(58) **Field of Classification Search** ..... D23/210;  
210/416.2, 169; D30/106

See application file for complete search history.

FIG. 1 is a perspective view of hanging filter for aquarium showing my new design;

FIG. 2 is a front elevation view thereof;

FIG. 3 is a rear elevation view thereof;

FIG. 4 is a left side elevation view thereof;

FIG. 5 is a right side elevation view thereof;

FIG. 6 is a top plan view thereof; and,

FIG. 7 is a bottom plan view thereof.

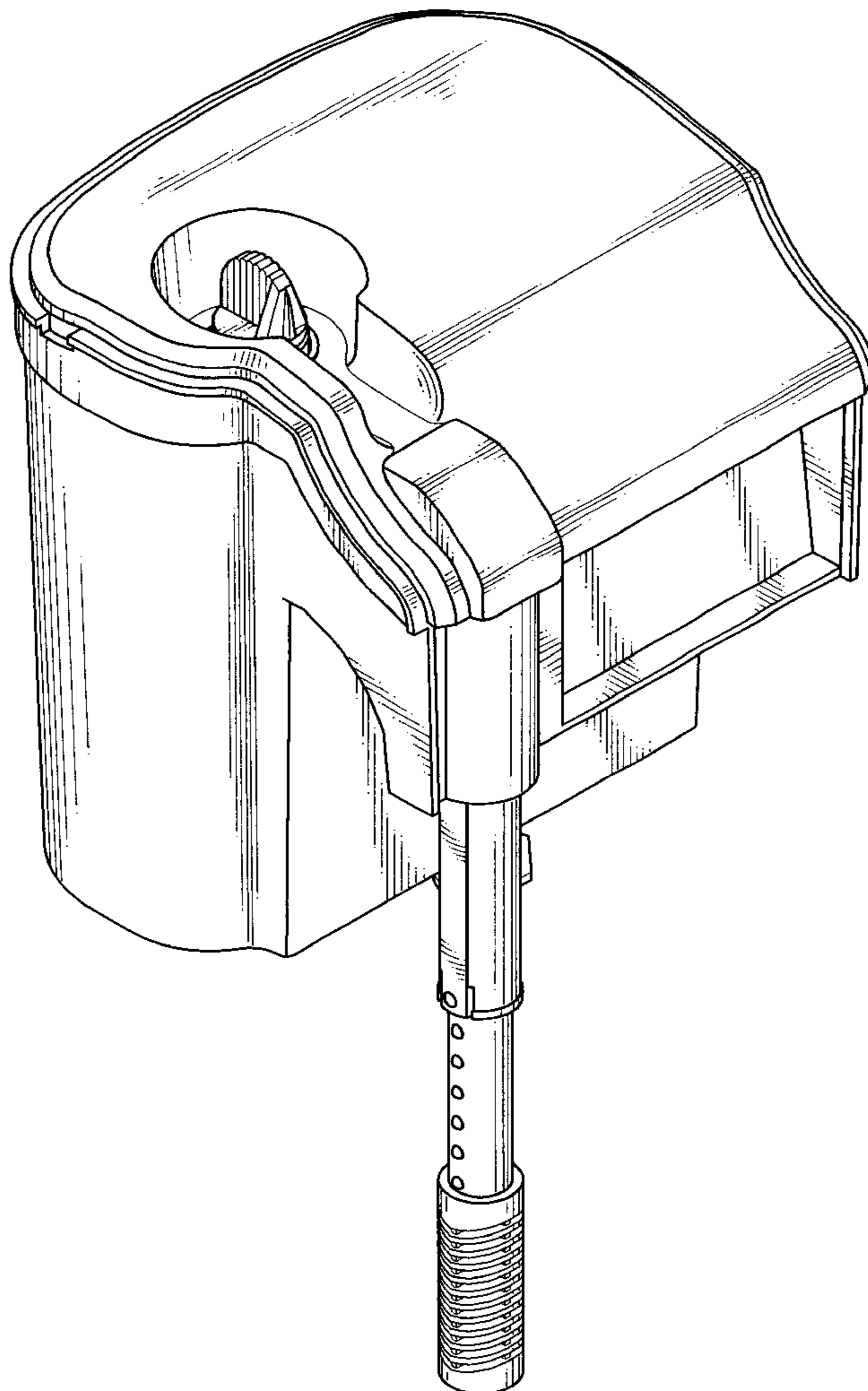
(56) **References Cited**

U.S. PATENT DOCUMENTS

5,266,190 A \* 11/1993 Tominaga ..... 210/169

6,106,709 A \* 8/2000 Bresolin ..... 210/169

**1 Claim, 6 Drawing Sheets**



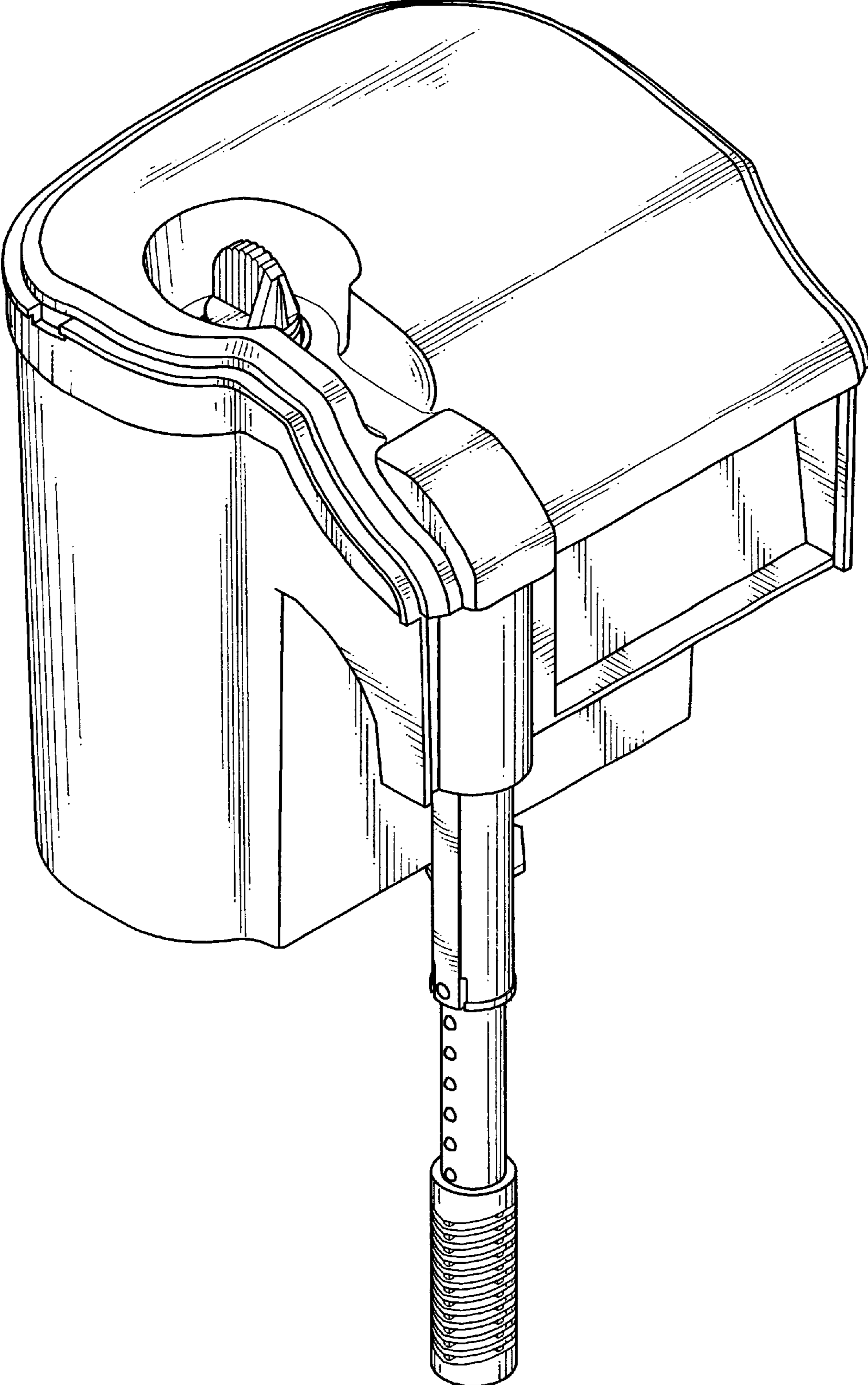


FIG. 1

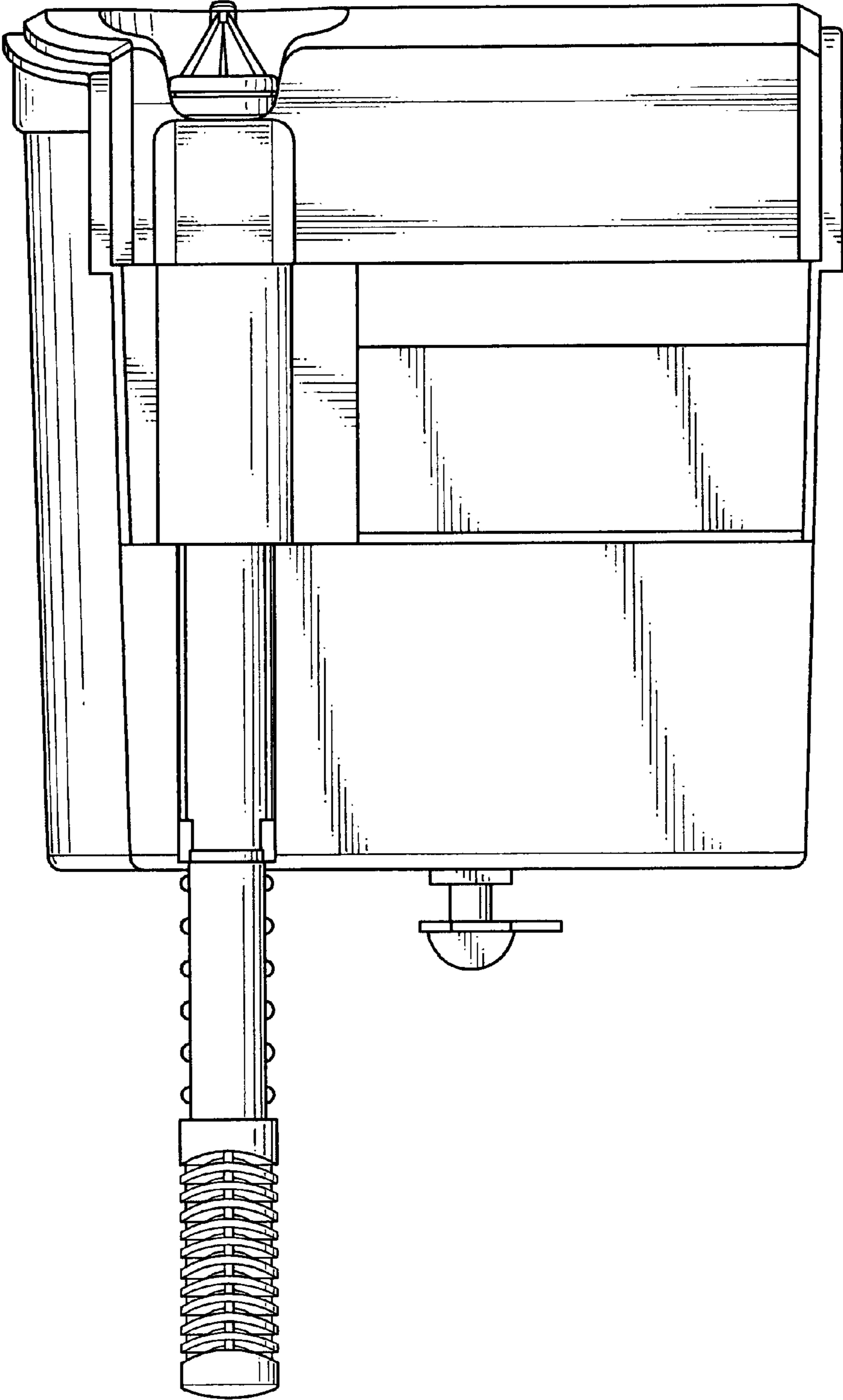


FIG. 2

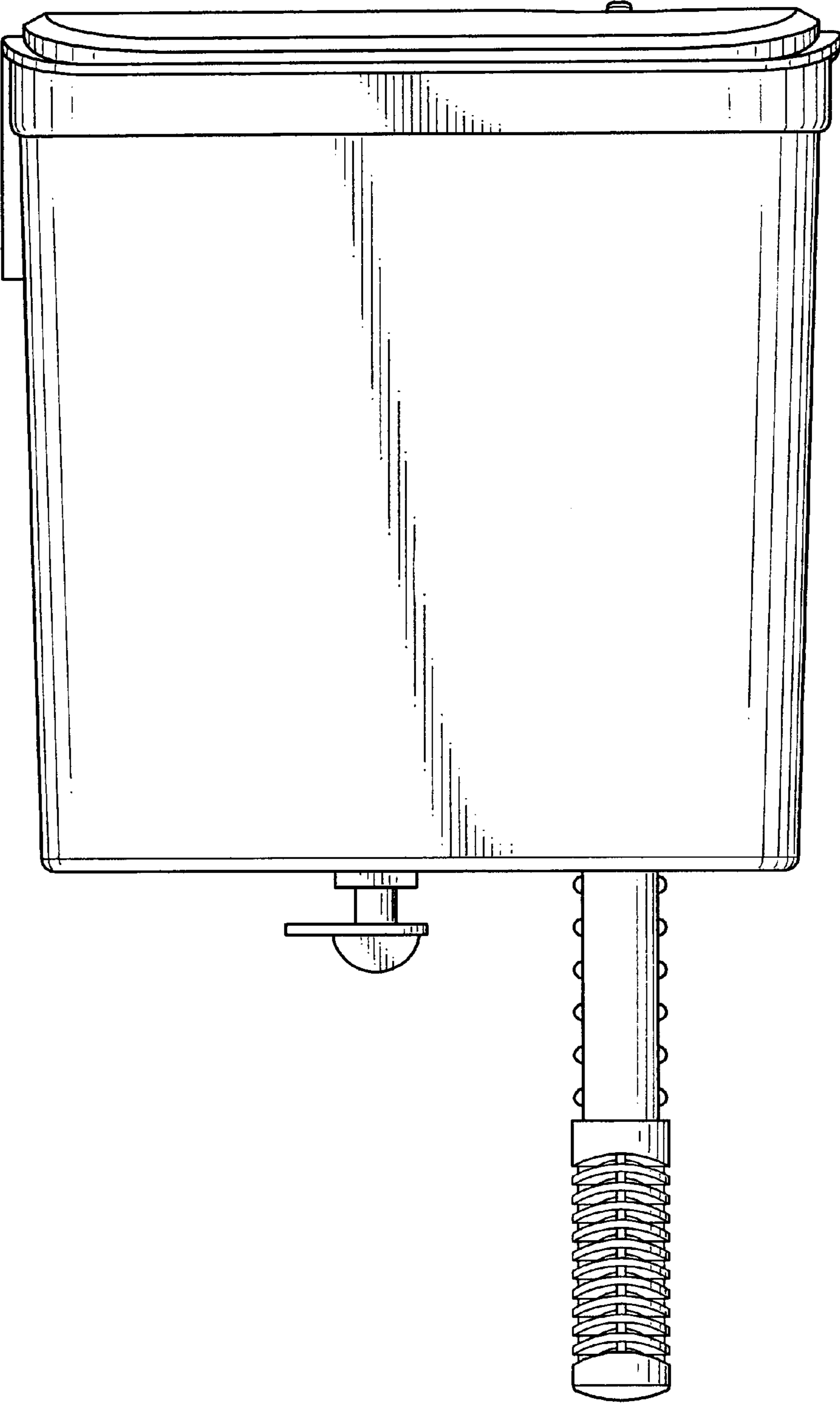


FIG. 3

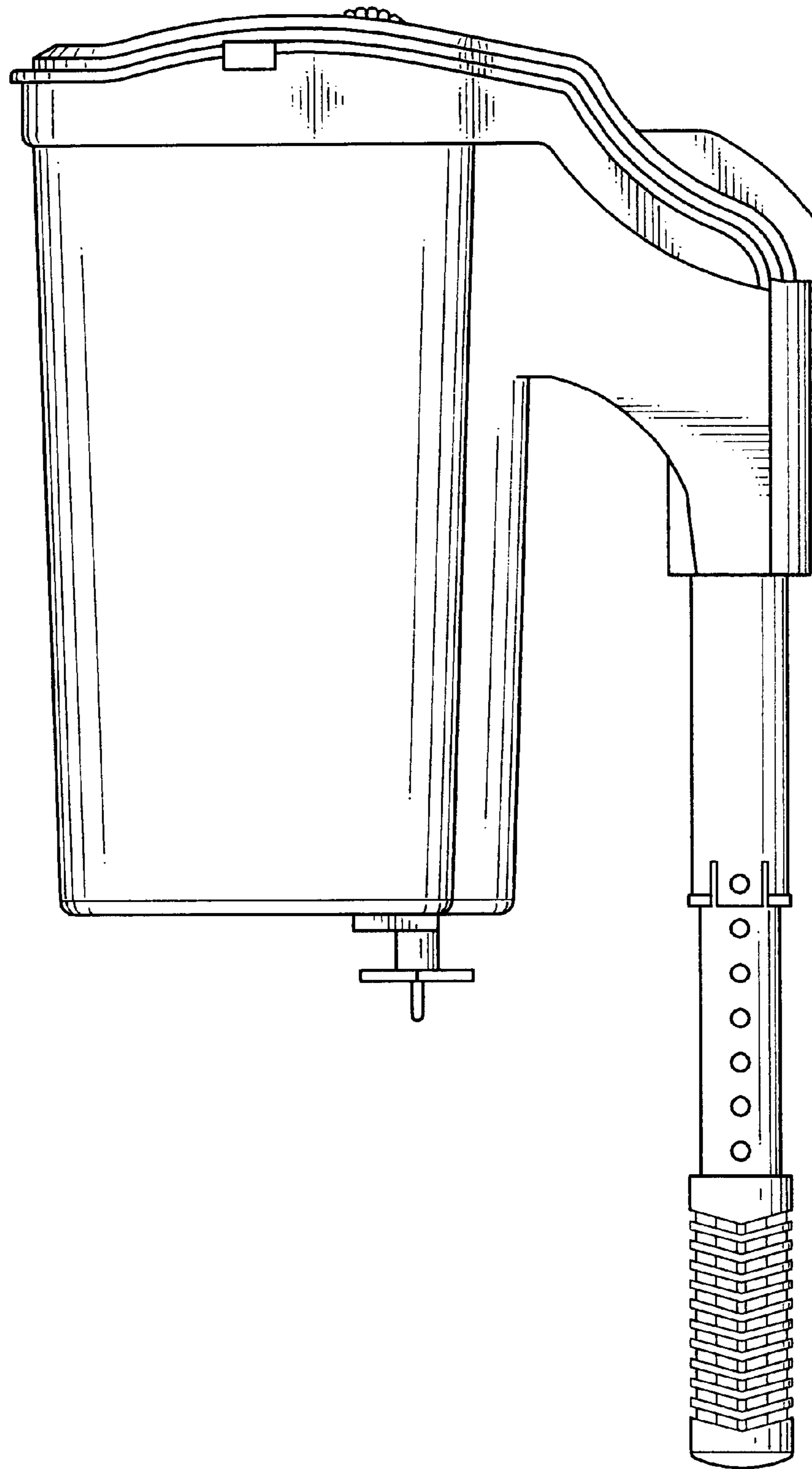


FIG. 4

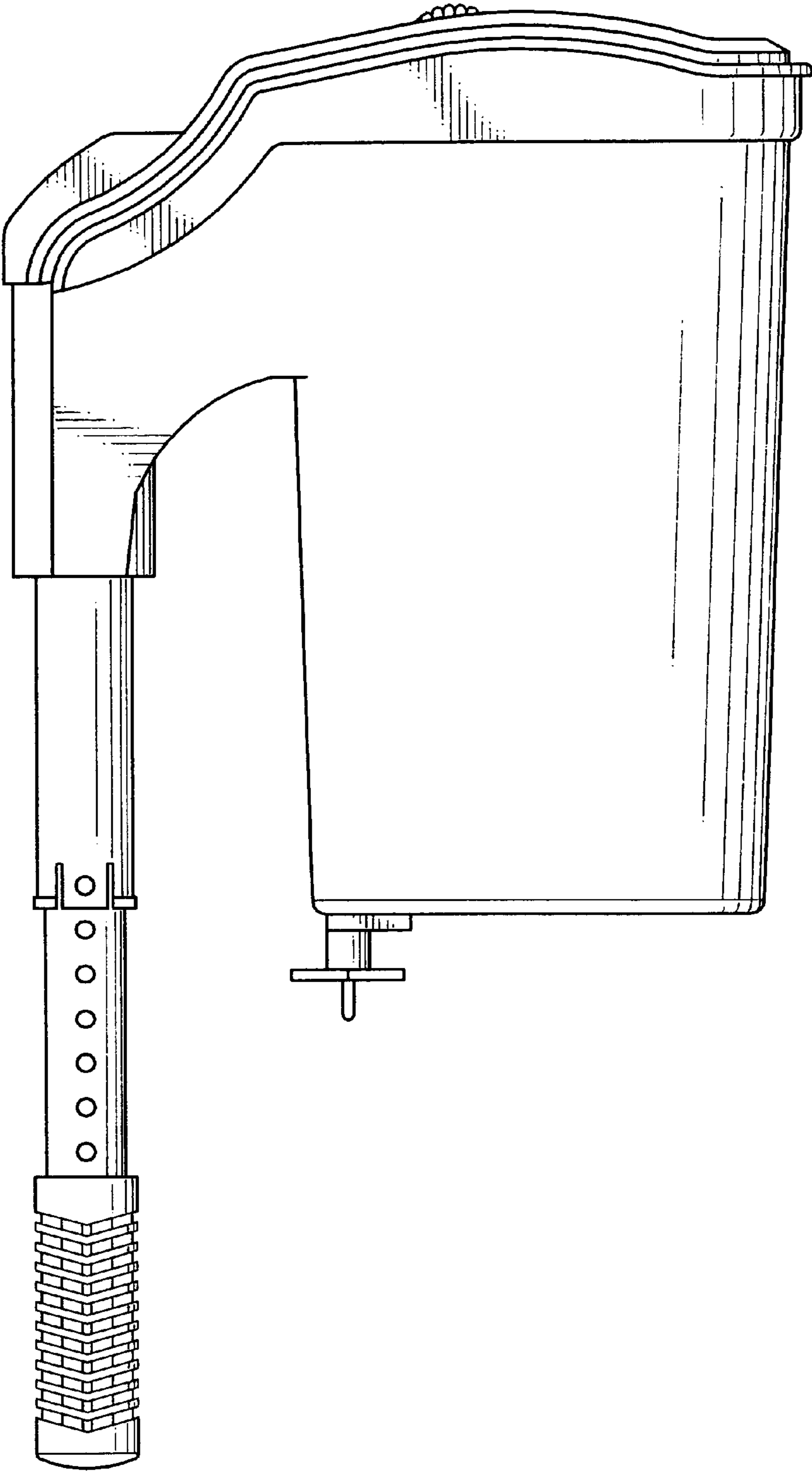


FIG. 5

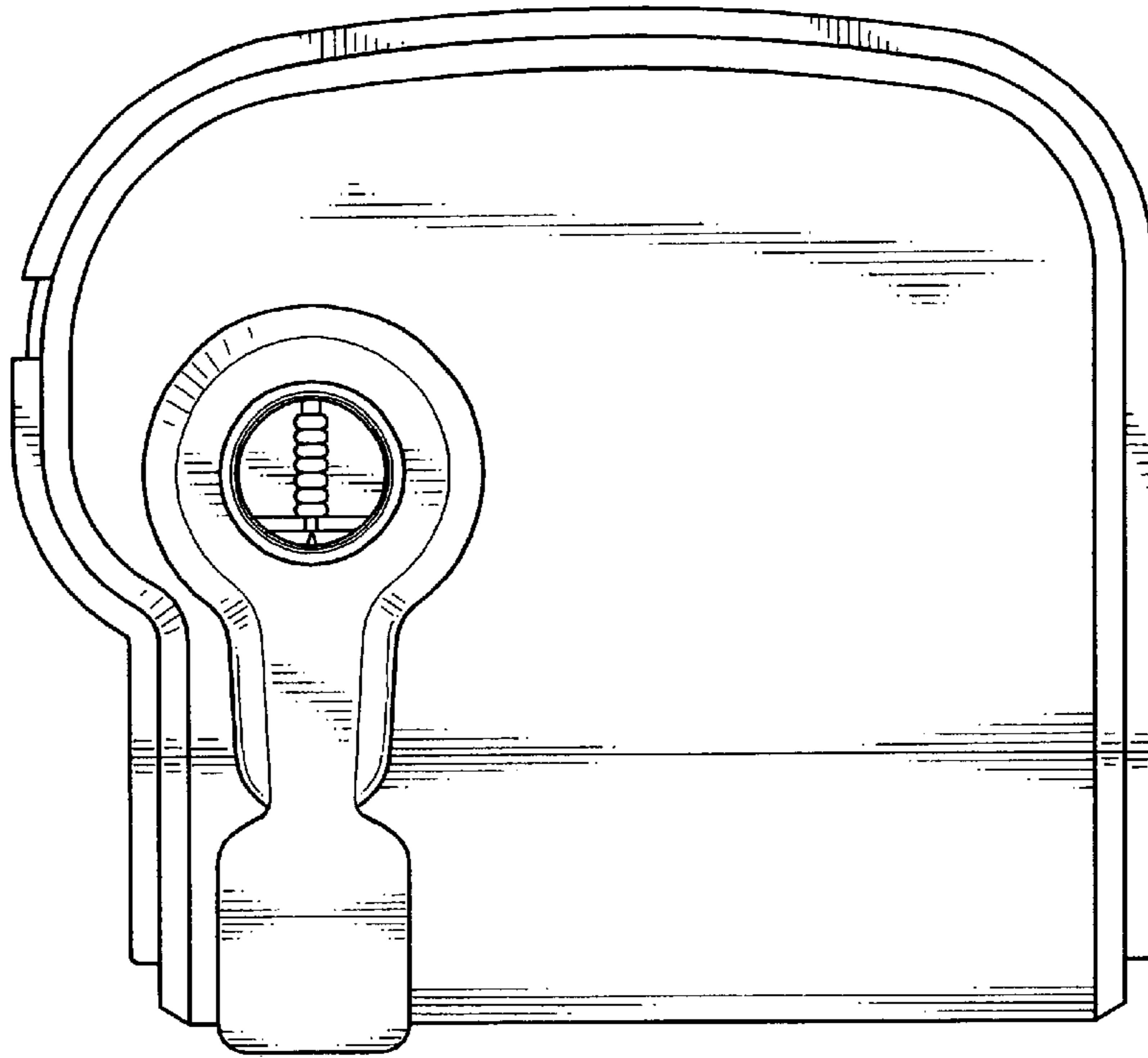


FIG. 6

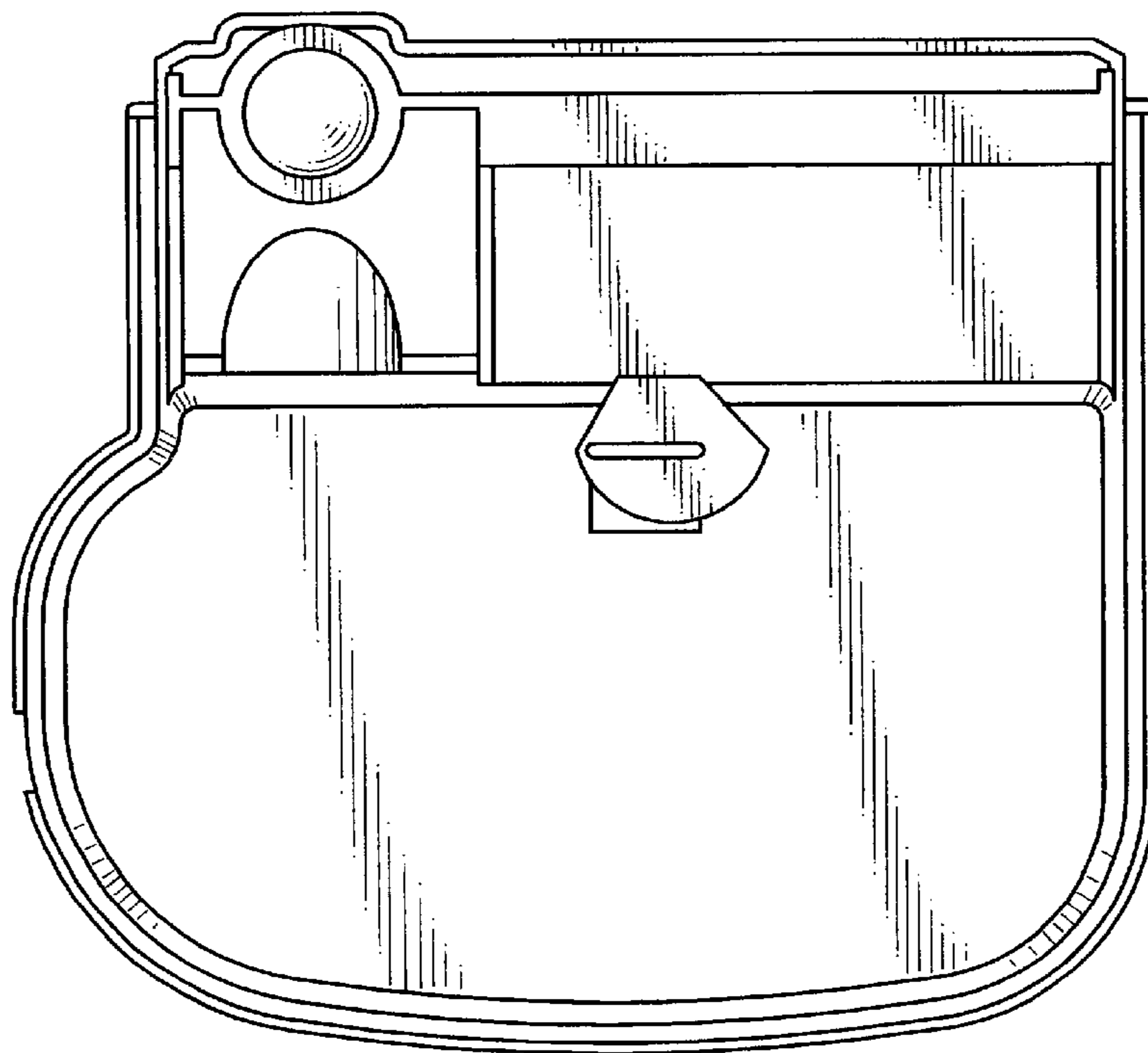


FIG. 7