

US00D520099S

(12) **United States Design Patent**
Warren

(10) **Patent No.:** **US D520,099 S**

(45) **Date of Patent:** **** May 2, 2006**

(54) **GUN SIGHT**

(75) Inventor: **Scott M. Warren**, 15702 Beacon Ct.,
Montclair, VA (US) 22026

(73) Assignee: **Scott M. Warren**, Montclair, VA (US)

(**) Term: **14 Years**

(21) Appl. No.: **29/237,150**

(22) Filed: **Aug. 26, 2005**

Related U.S. Application Data

(62) Division of application No. 29/208,580, filed on Jun. 30,
2004.

(51) **LOC (8) Cl.** **22-01**

(52) **U.S. Cl.** **D22/109; D22/110**

(58) **Field of Classification Search** D22/100,
D22/108-110, 199; 42/111-113, 124, 134-145;
89/161, 41.19, 200-204; 33/227
See application file for complete search history.

(56) **References Cited**

U.S. PATENT DOCUMENTS

1,363,553	A	12/1920	Barringer	
D273,217	S	3/1984	Swenson	
D296,227	S	6/1988	Novak	
D301,512	S	6/1989	Novak	
D305,146	S	12/1989	Novak	
D305,561	S	1/1990	Novak	
D315,776	S	3/1991	Novak	
D351,449	S	10/1994	Dagley	
D352,087	S	11/1994	Stevens et al.	
D361,366	S	* 8/1995	Emerson	D22/109
D363,334	S	* 10/1995	De Oliveira Masina	... D22/109
5,822,872	A	10/1998	Waki	
D403,734	S	1/1999	Kay	
D407,788	S	4/1999	Kay	
6,035,539	A	3/2000	Hollenbach et al.	
D428,102	S	* 7/2000	Flubacher et al. D22/109
D432,618	S	10/2000	Wilson	
D435,080	S	12/2000	Ling, Jr.	
D435,282	S	12/2000	Ling, Jr.	
D435,625	S	12/2000	Ling, Jr.	
D436,393	S	1/2001	Ling, Jr.	
6,216,351	B1	4/2001	Flubacher et al.	
6,230,414	B1	* 5/2001	Glock 42/139

D447,205	S	* 8/2001	Keng D22/109
D447,206	S	8/2001	Ling, Jr.	
D492,747	S	7/2004	LoRocco	
6,834,457	B1	* 12/2004	Warren 42/141

OTHER PUBLICATIONS

Wilson Combat 2001 Master Catalog, cover and selected pp.
71-73.

* cited by examiner

Primary Examiner—Ian Simmons

Assistant Examiner—Melanie Levy

(74) *Attorney, Agent, or Firm*—Fay, Sharpe, Fagan,
Minnich & McKee, LLP

(57) **CLAIM**

The ornamental design for a gun sight, as shown and
described.

DESCRIPTION

FIG. 1 is a rear perspective view of a gun sight according to
the present invention showing my new design;

FIG. 2 is a top plan view thereof;

FIG. 3 is a rear elevational view thereof, the front side
elevational view being a mirror image of the rear elevational
view except for the sight dots which are not claimed;

FIG. 4 is a right side elevational view thereof, the left side
elevational view being a mirror image of the right side;

The bottom side has no ornamentation and therefore is not
shown;

FIG. 5 is a rear perspective view of a gun sight showing
another embodiment of my design which includes an under-
cut;

FIG. 6 is a top plan view of the gun sight shown in FIG. 5;

FIG. 7 is a rear elevational view of the gun sight shown in
FIG. 5;

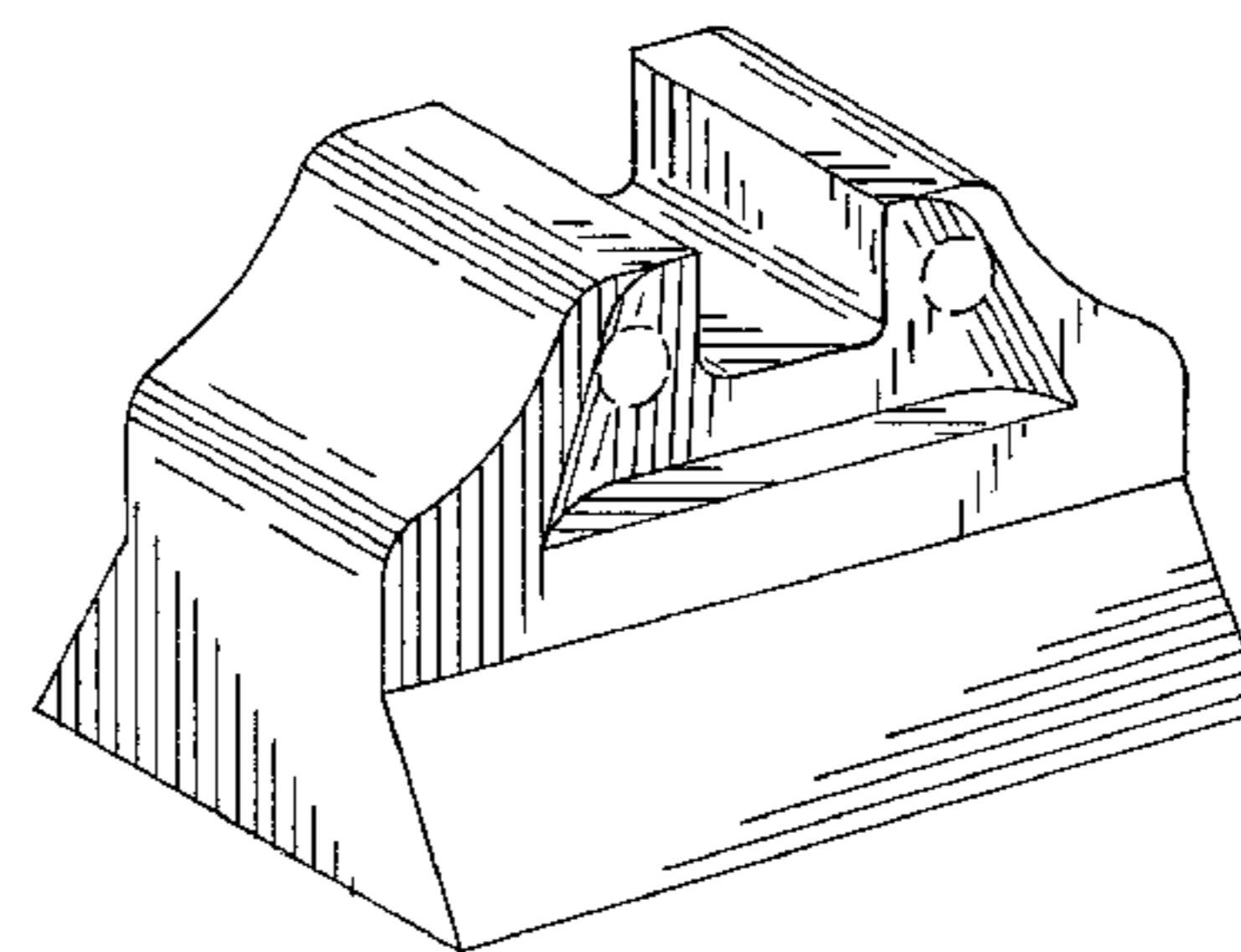
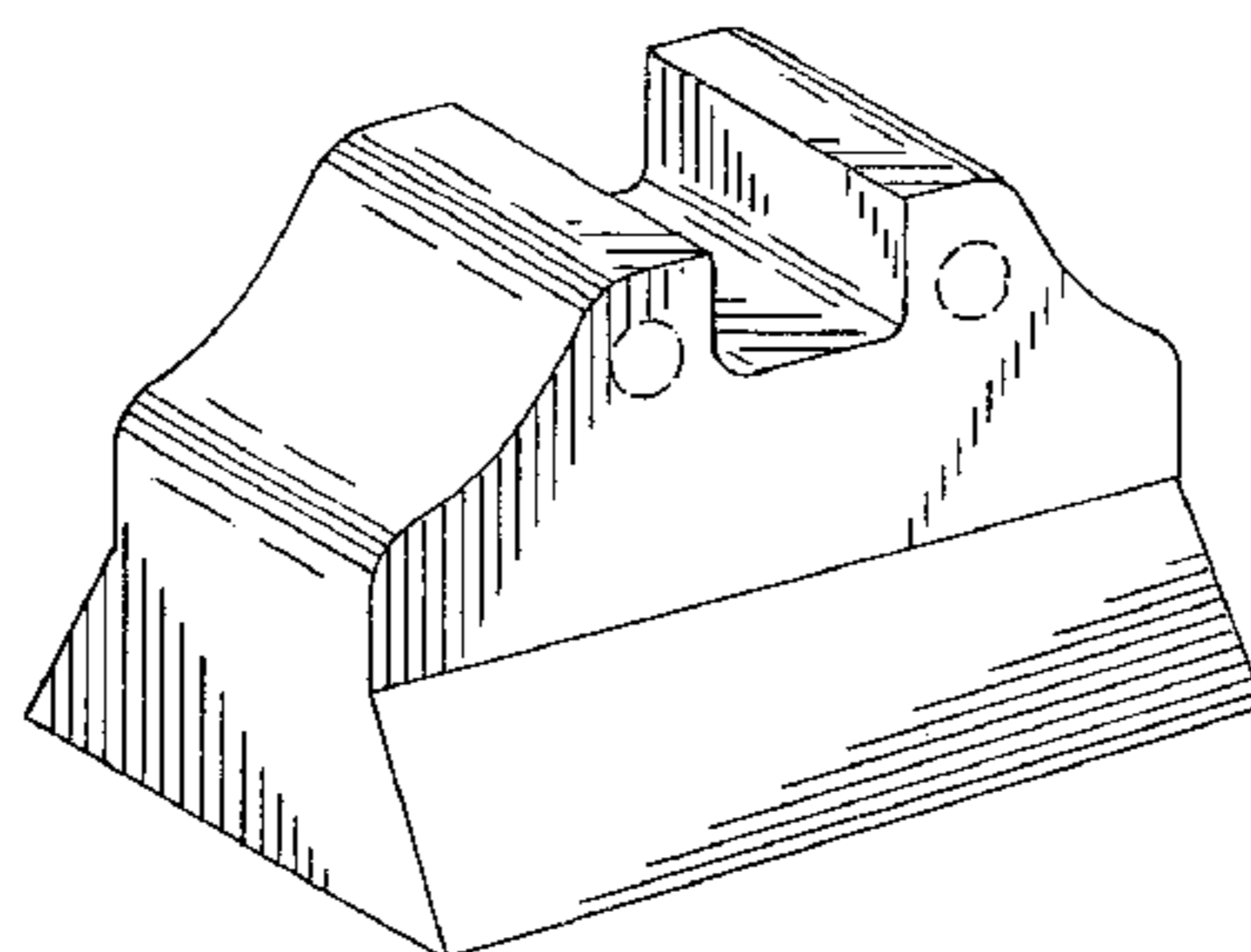
FIG. 8 is a right side elevational view of the gun sight shown
in FIG. 5, the left side being a mirror image of the right side;
and,

FIG. 9 is a front elevational view of the gun sight shown in
FIG. 5.

The bottom of the gun sight shown in FIG. 5 has no
ornamentation.

The broken lines are for illustrative purposes only and form
no part of the claimed design.

1 Claim, 2 Drawing Sheets



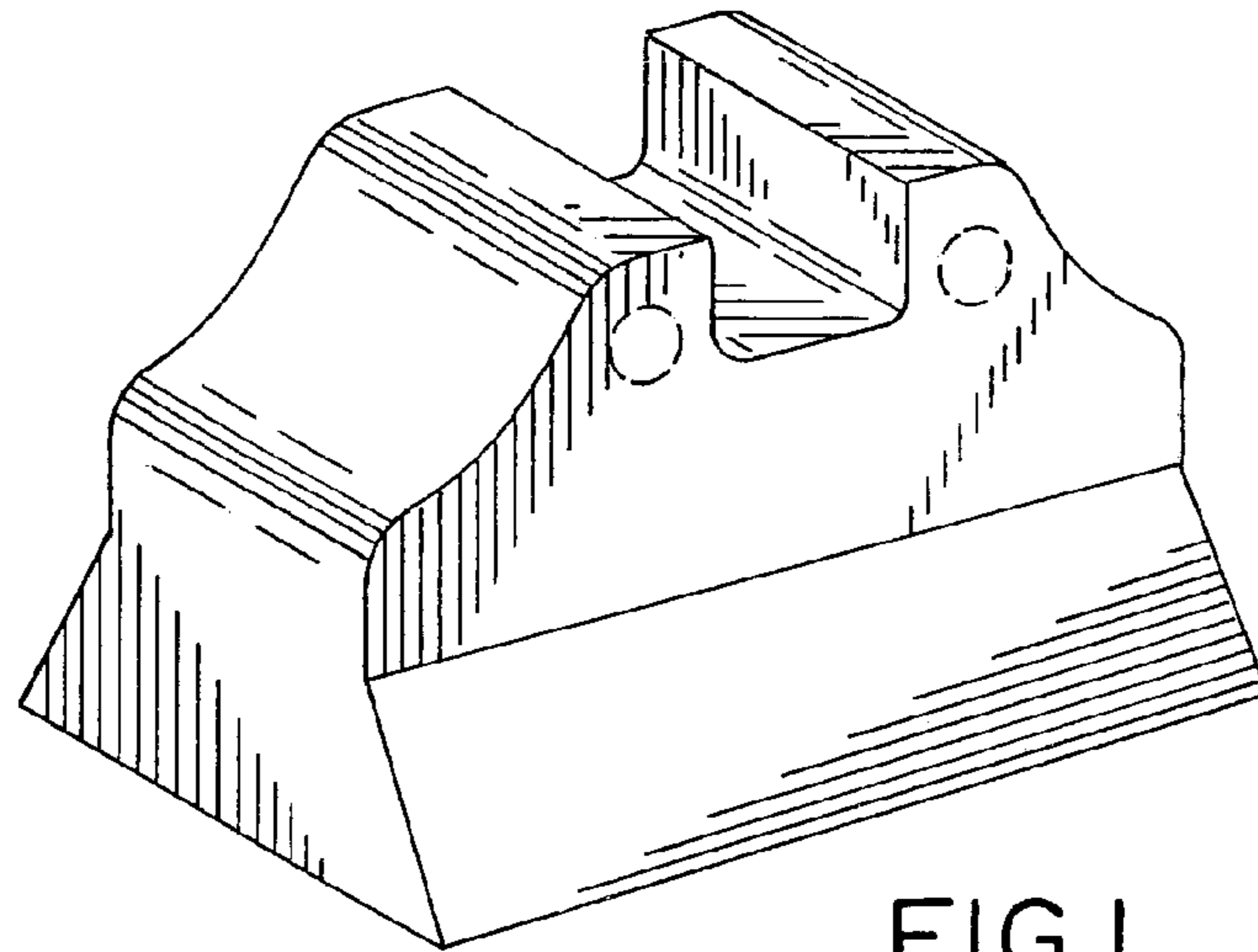


FIG. 1

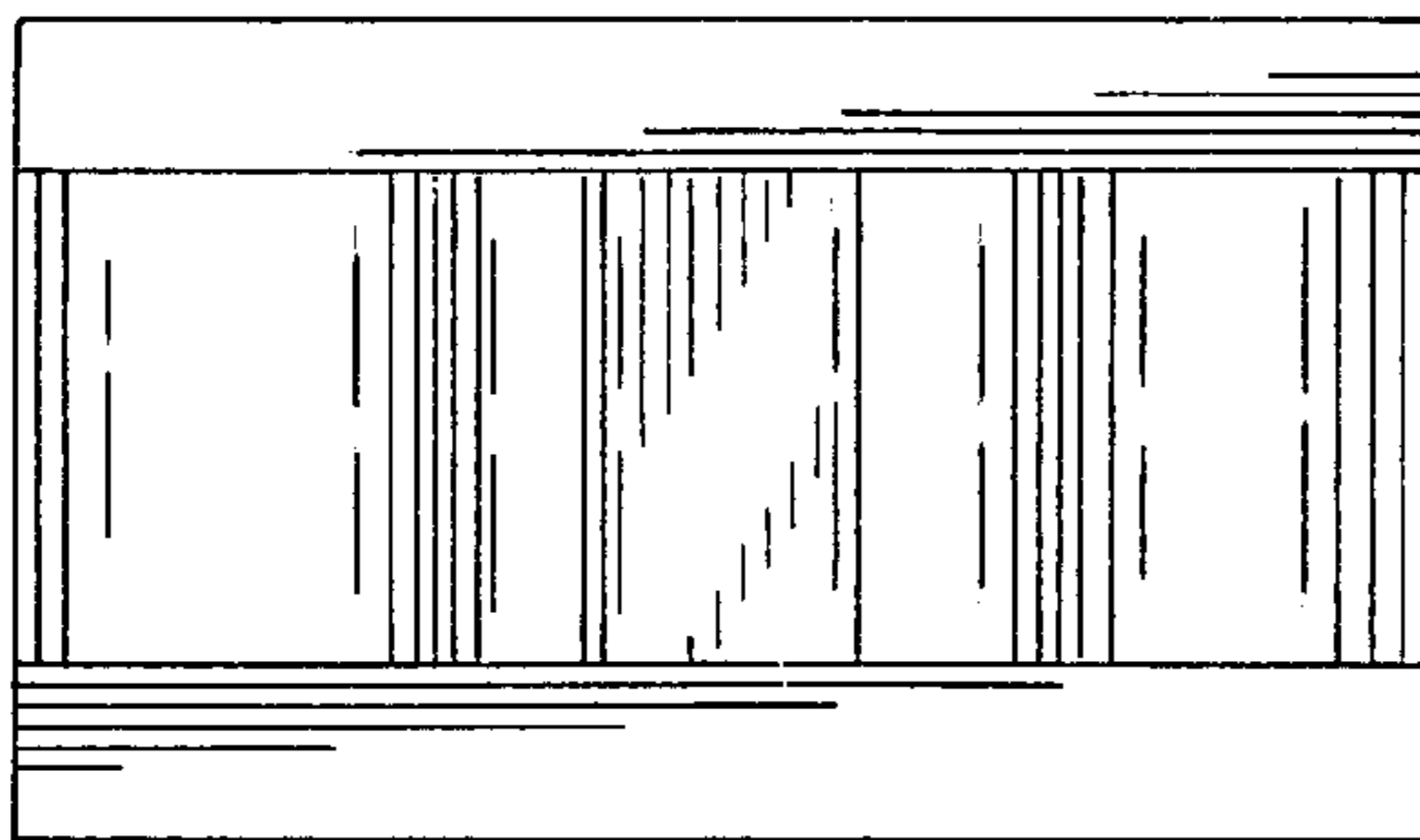


FIG. 2

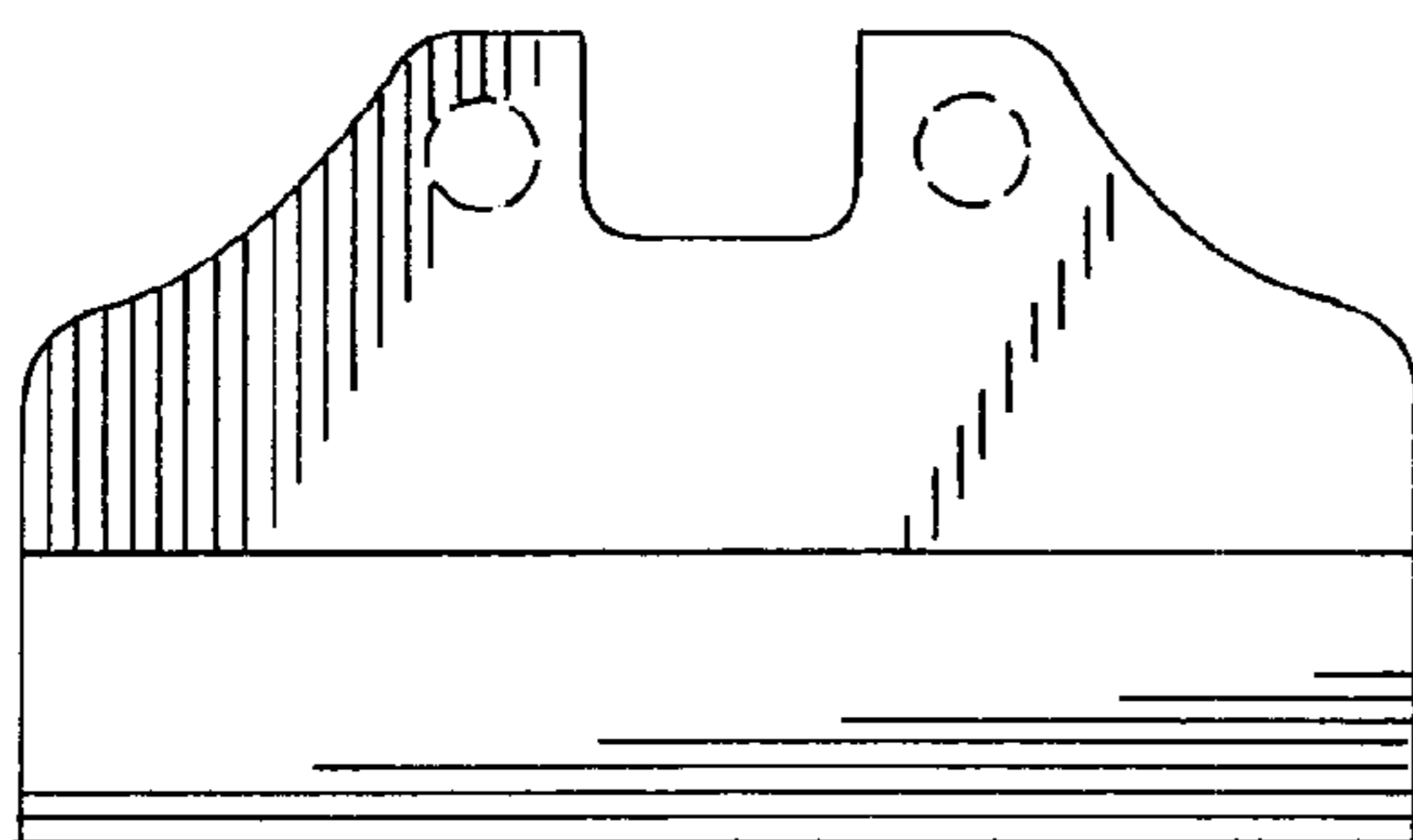


FIG. 3

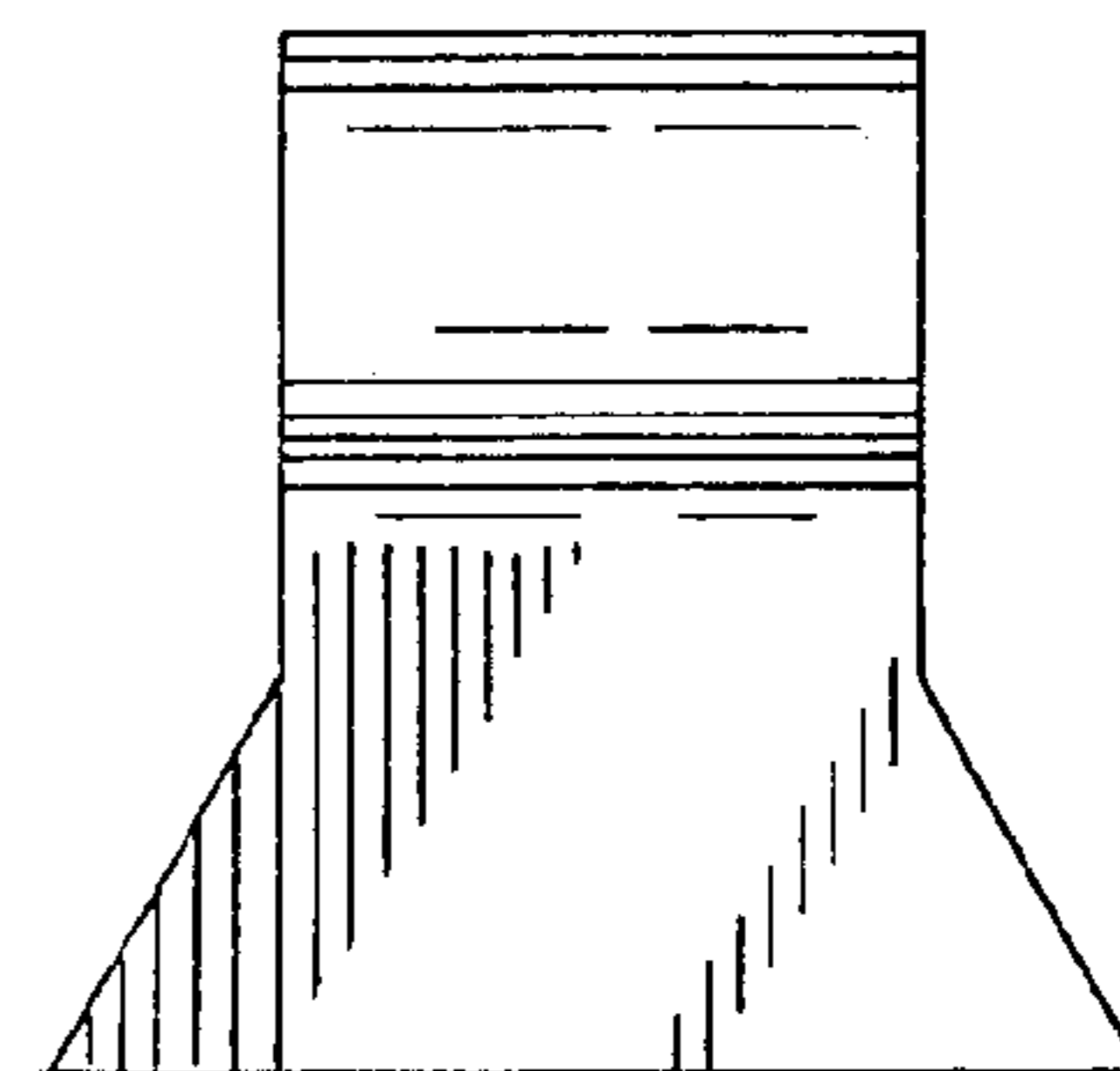


FIG. 4

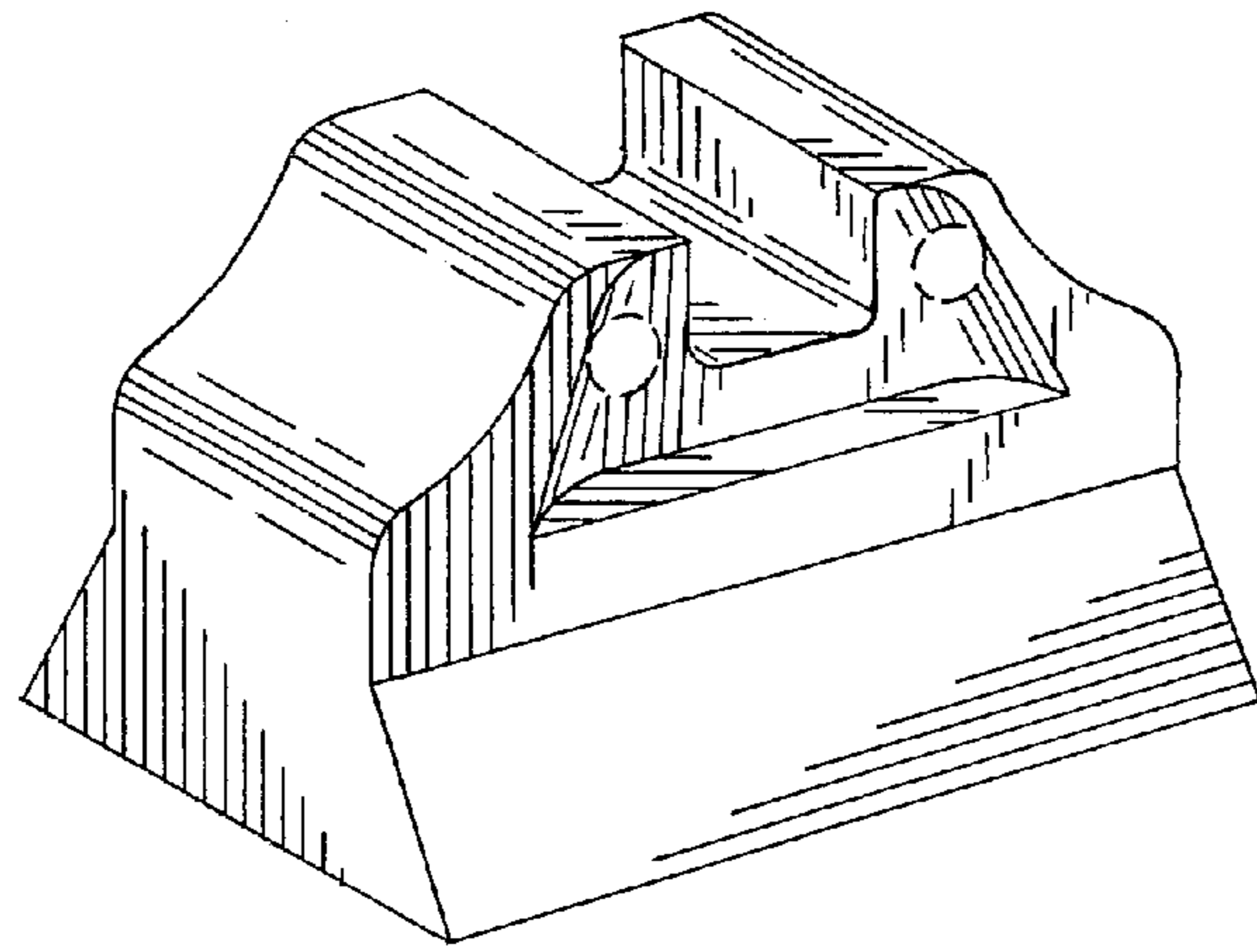


FIG. 5

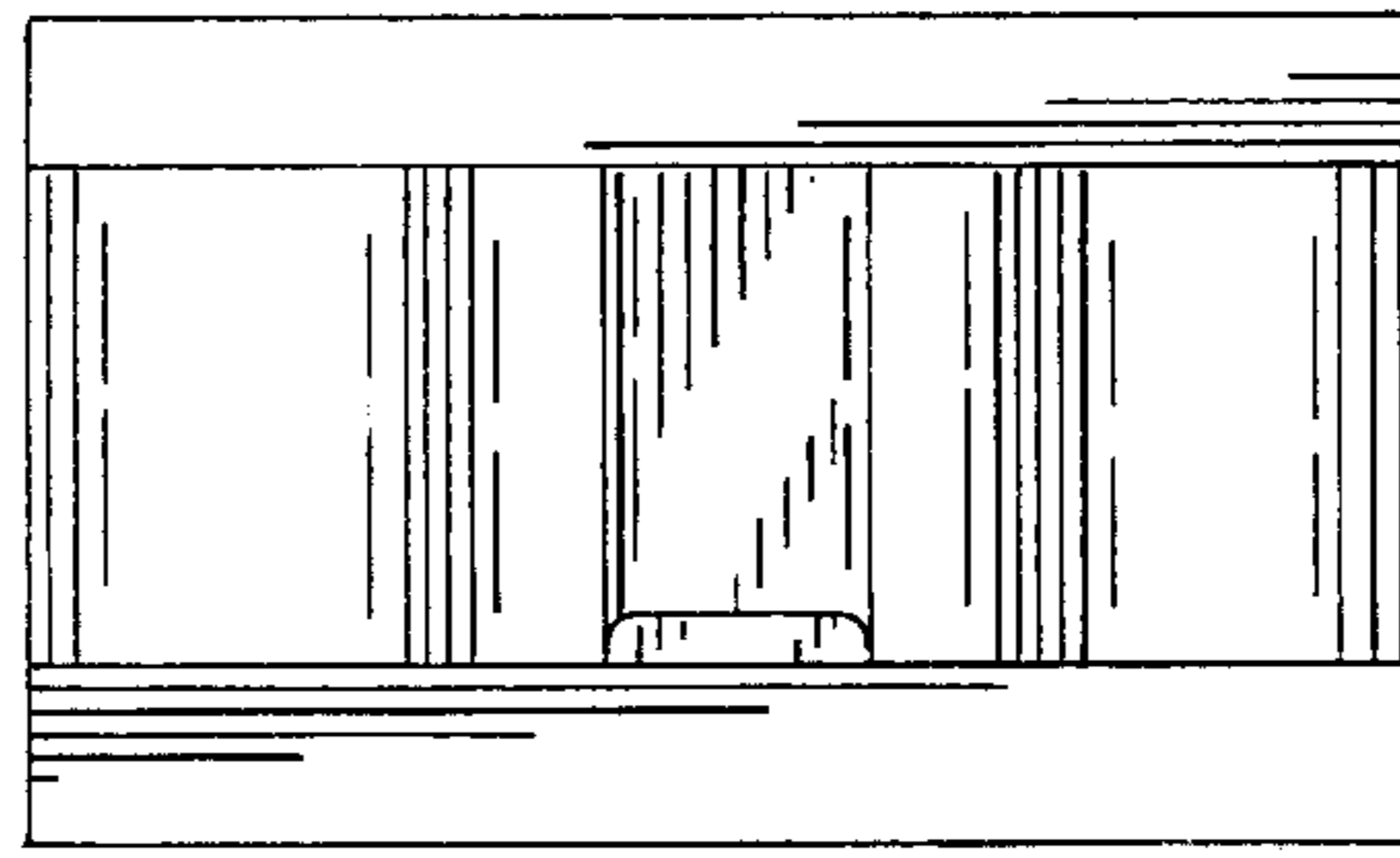


FIG. 6

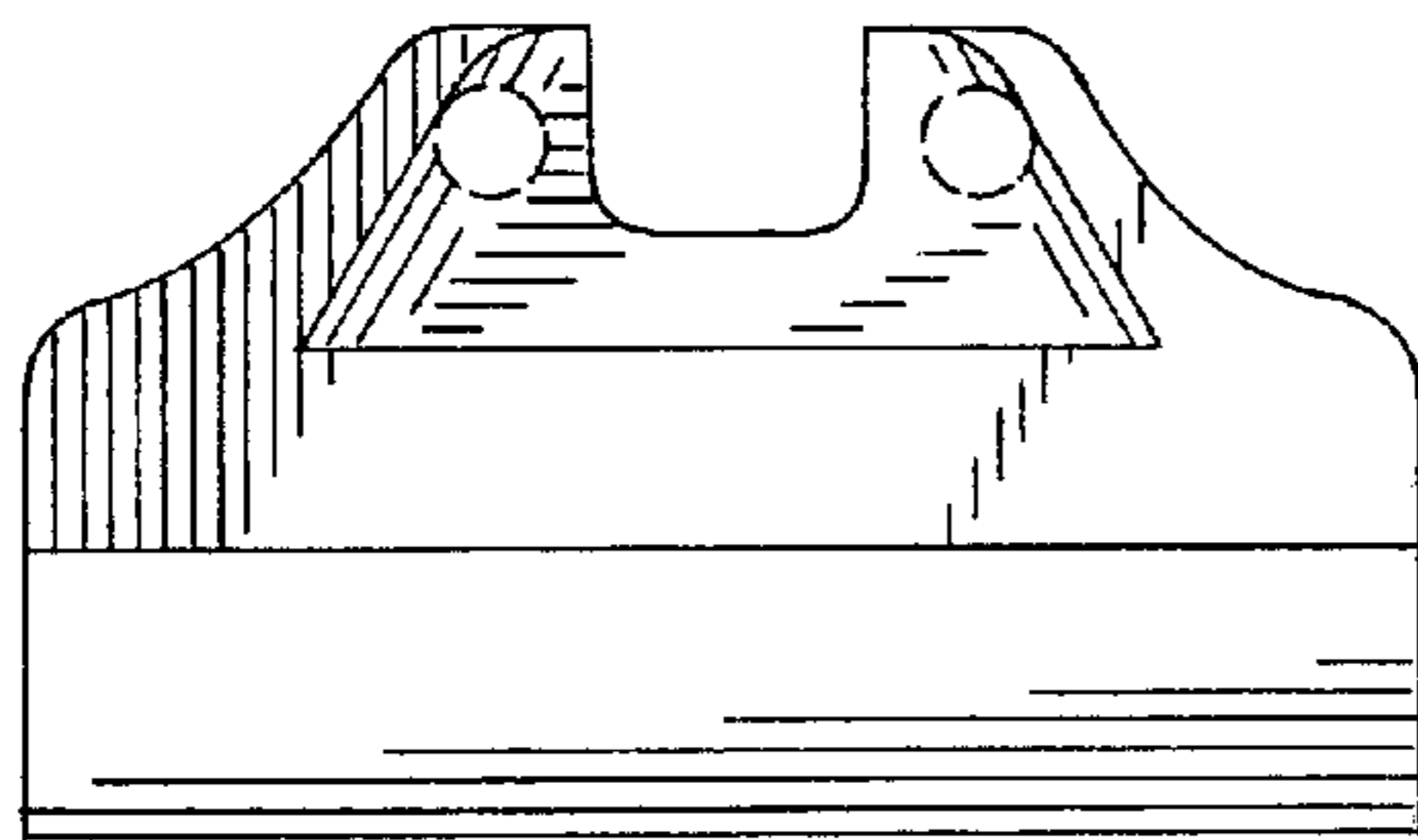


FIG. 7

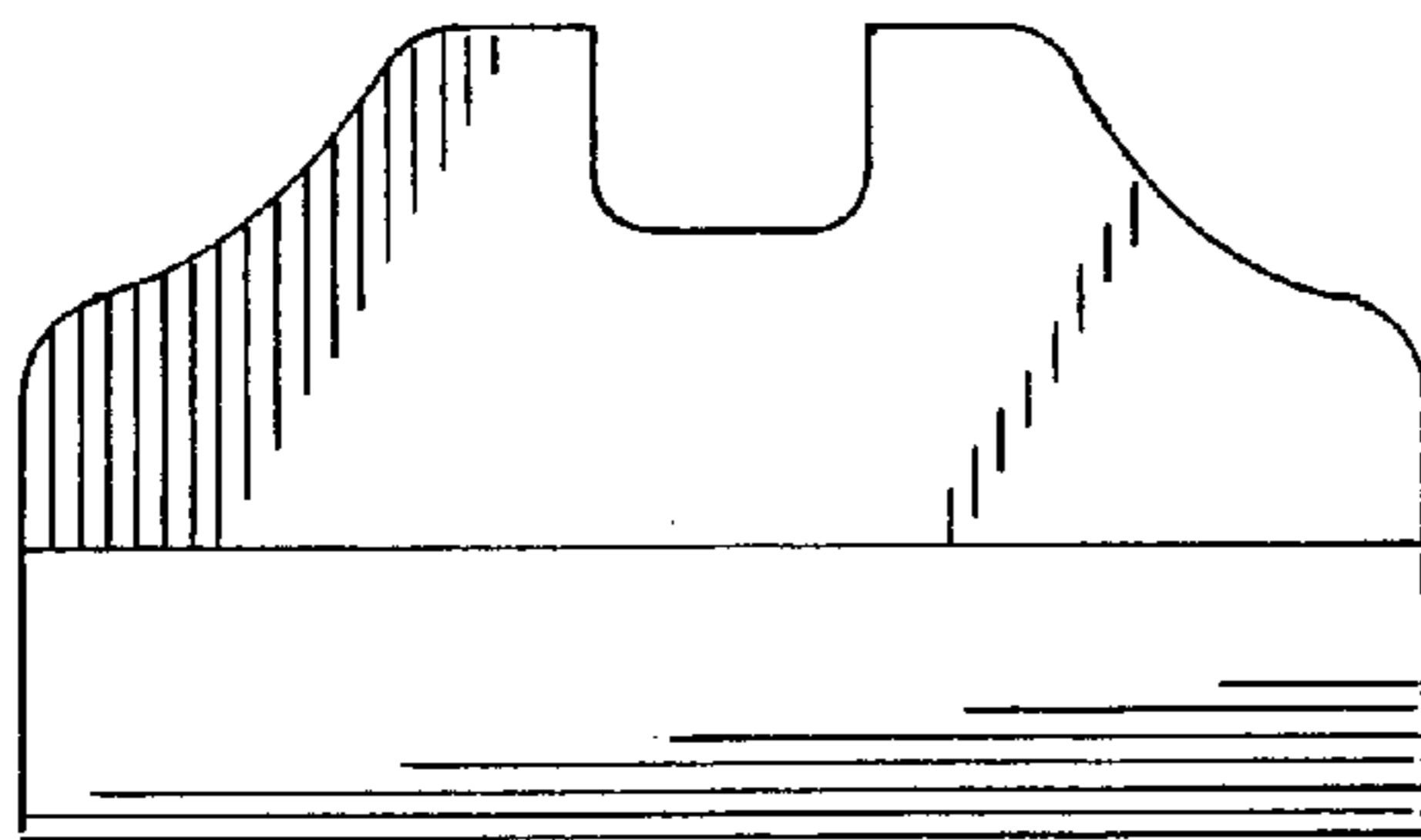


FIG. 9

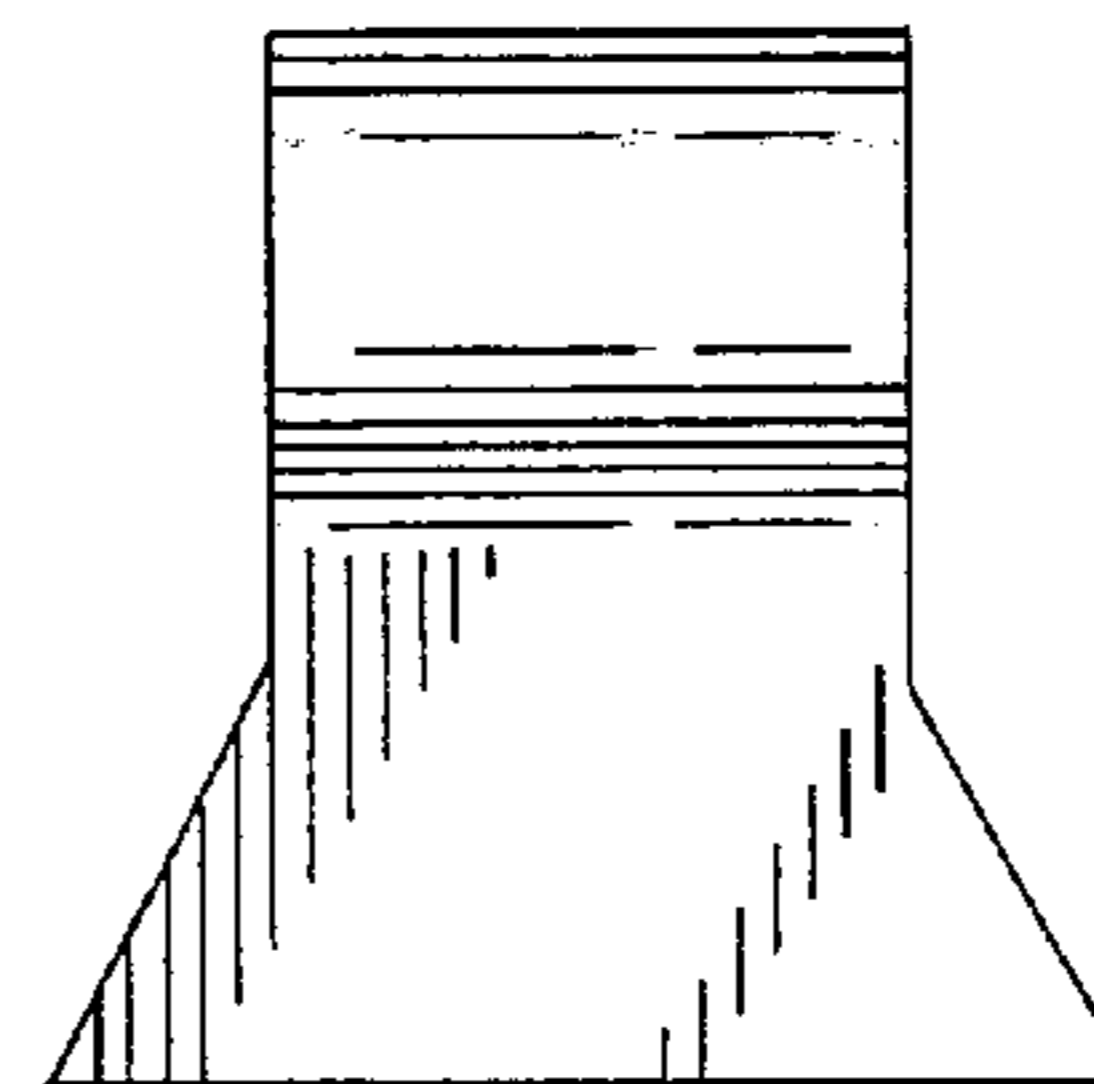


FIG. 8