

US00D520098S

(12) **United States Design Patent**
LeMoine

(10) **Patent No.:** **US D520,098 S**

(45) **Date of Patent:** **** May 2, 2006**

(54) **GOLF CLUB HOLDER**

(76) Inventor: **William D. LeMoine**, 11528 Wellman Dr., Riverview, FL (US) 33569

(**) Term: **14 Years**

(21) Appl. No.: **29/224,689**

(22) Filed: **Mar. 7, 2005**

(51) **LOC (8) Cl.** **21-02**

(52) **U.S. Cl.** **D21/796**

(58) **Field of Classification Search** D21/789,
D21/796; 473/282; 248/156, 96, 688; 211/70.2,
211/68; D6/417, 552; 206/315.2
See application file for complete search history.

(56) **References Cited**

U.S. PATENT DOCUMENTS

- D318,090 S * 7/1991 Bahns D21/796
- D360,248 S * 7/1995 Wright D21/796
- D401,295 S * 11/1998 Young D21/796
- 5,873,471 A * 2/1999 Ruggeri 211/70.2

- D407,774 S * 4/1999 Weiss D21/796
- D458,660 S * 6/2002 Stealey D21/796
- 6,497,327 B1 * 12/2002 Rindfleisch 211/70.2
- D472,598 S * 4/2003 Lawrence D21/796

* cited by examiner

Primary Examiner—Mitchell Siegel

(74) *Attorney, Agent, or Firm*—William M. Hobby, III

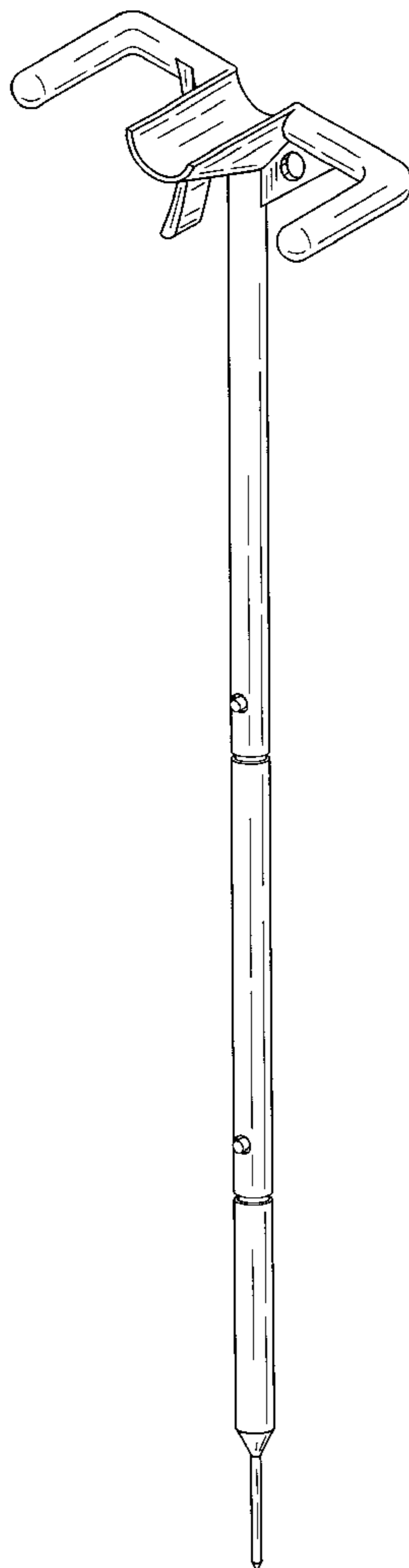
(57) **CLAIM**

The ornamental design for a golf club holder, as shown and described.

DESCRIPTION

FIG. 1 is a top, front side perspective view of my new golf club holder;
FIG. 2 is a right side elevation;
FIG. 3 is a left side elevation;
FIG. 4 is a front side elevation;
FIG. 5 is a rear side elevation;
FIG. 6 is a top plan view; and,
FIG. 7 is a bottom plan view.

1 Claim, 2 Drawing Sheets



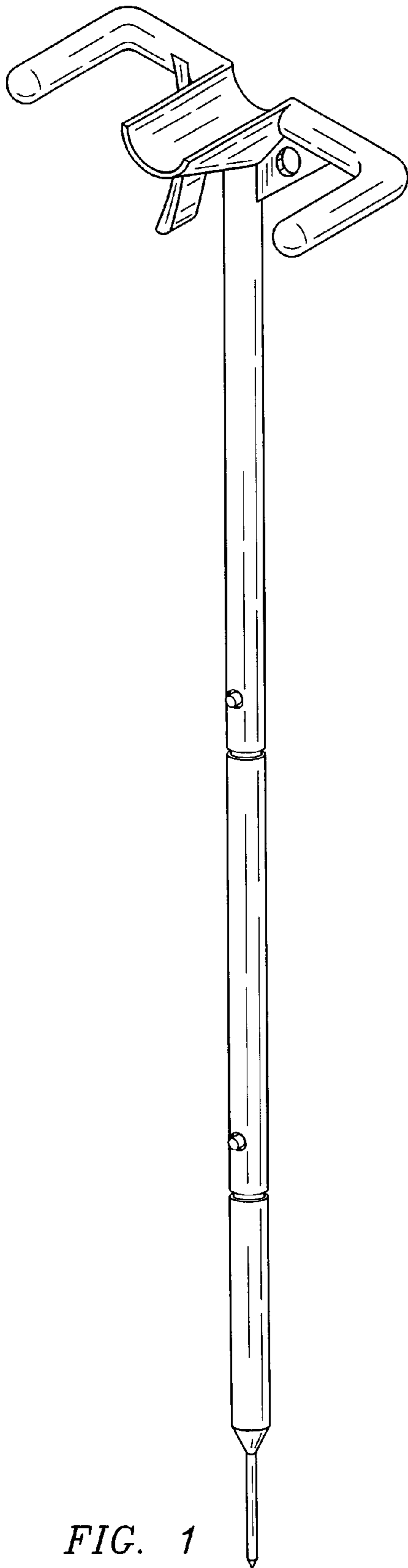


FIG. 1

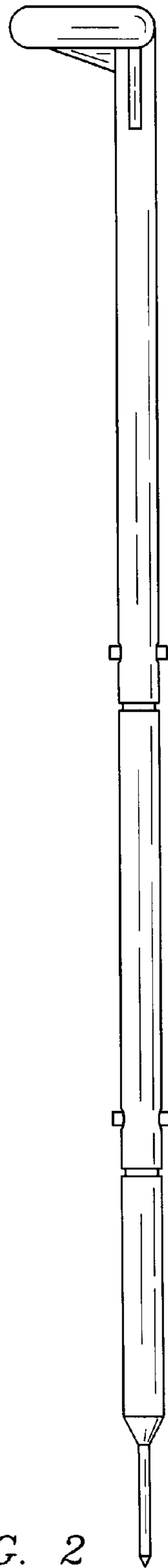


FIG. 2

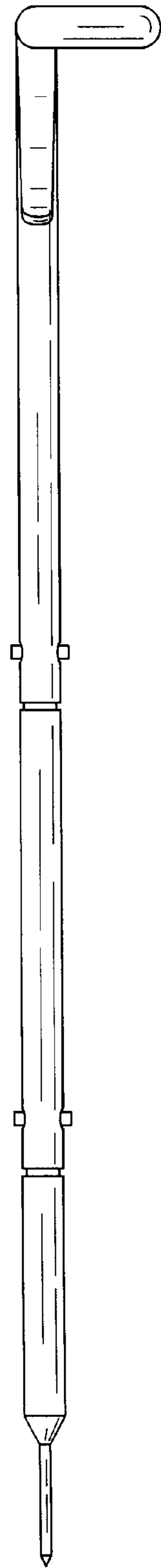


FIG. 3

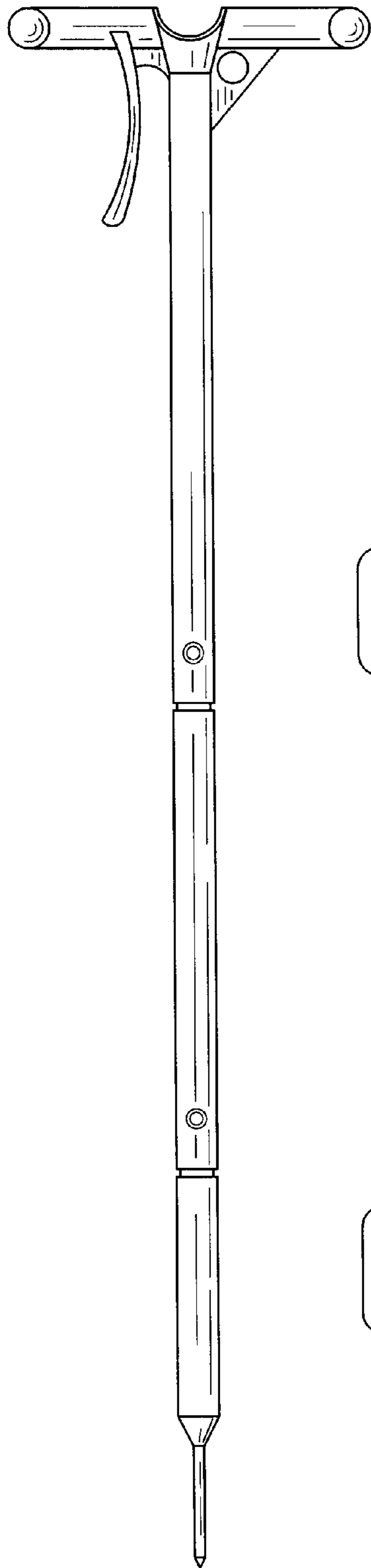


FIG. 4

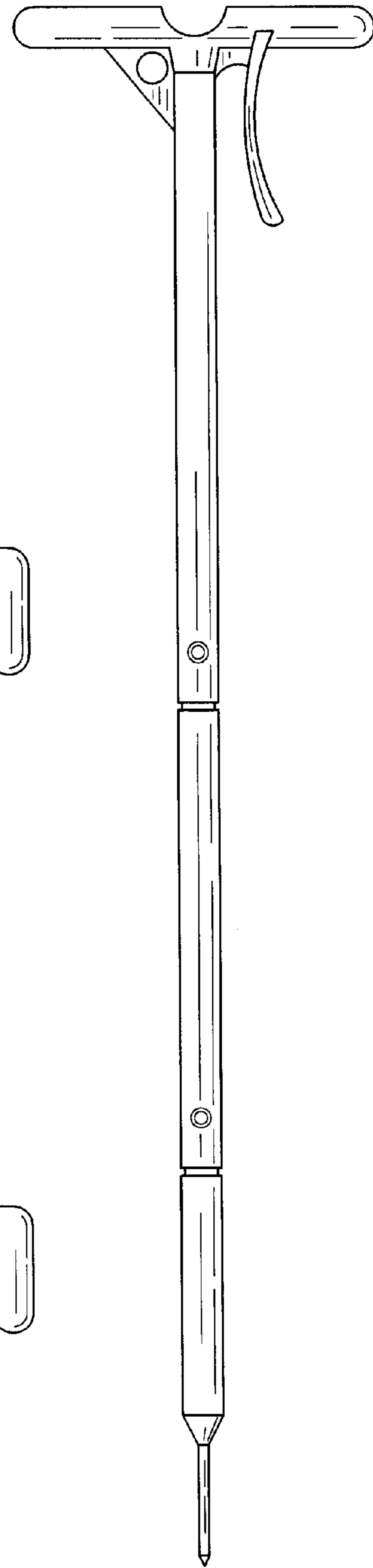


FIG. 5

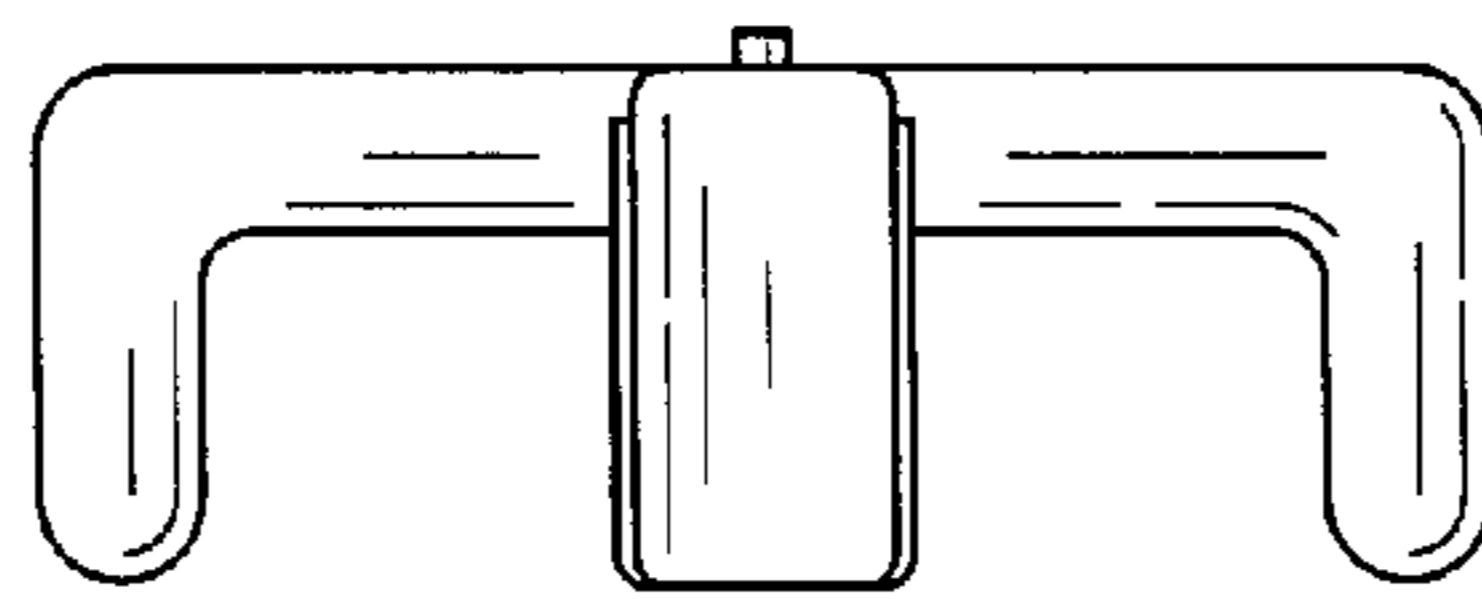


FIG. 6

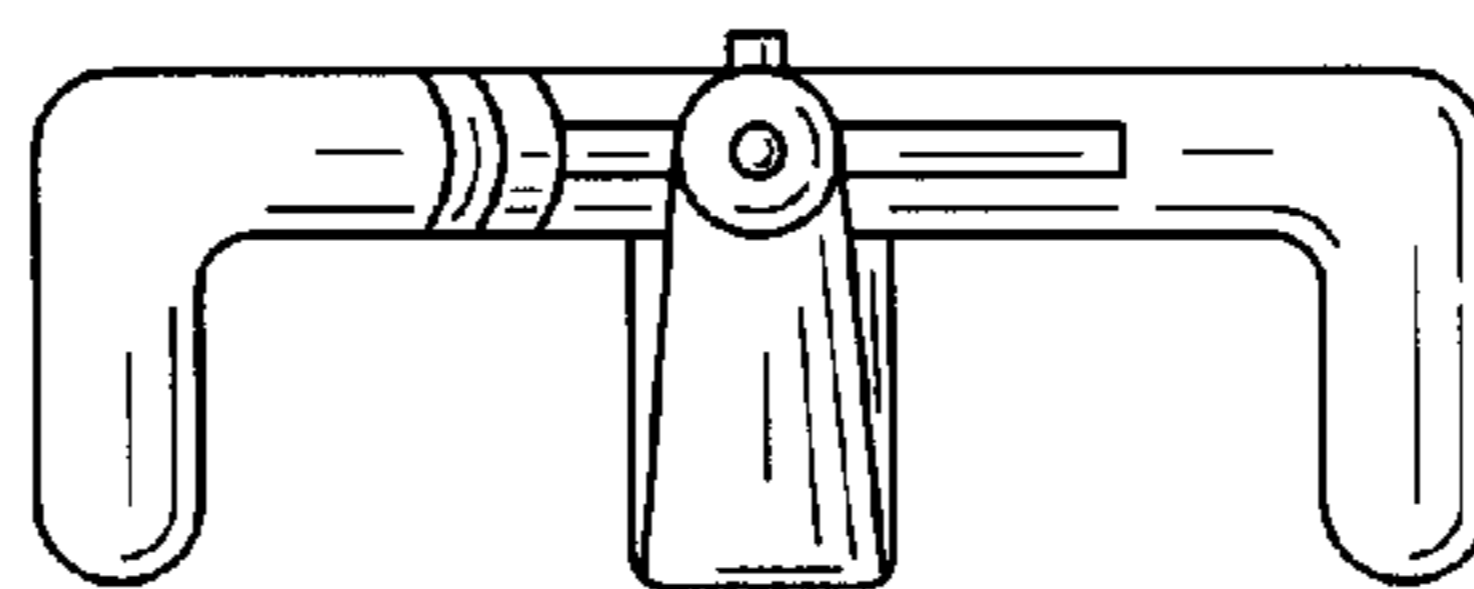


FIG. 7