



US00D520097S

(12) **United States Design Patent**  
**Walch**

(10) **Patent No.:** **US D520,097 S**

(45) **Date of Patent:** **\*\* May 2, 2006**

(54) **TRAINING MAT FOR GOLFERS**

(76) **Inventor:** **Alan F. Walch**, 35 Constitution Rd.,  
Ryde (AU), 2112

(\*\*) **Term:** **14 Years**

(21) **Appl. No.:** **29/225,488**

(22) **Filed:** **Mar. 17, 2005**

(51) **LOC (8) Cl.** ..... **21-02**

(52) **U.S. Cl.** ..... **D21/792**

(58) **Field of Classification Search** ..... D21/789,  
D21/791, 792; 473/218, 278, 280, 270

See application file for complete search history.

(56) **References Cited**

**U.S. PATENT DOCUMENTS**

4,000,905 A	1/1977	Shirhall
4,101,130 A	7/1978	Richards
D277,886 S	3/1985	Murphy
4,545,581 A	10/1985	Williamson
4,805,913 A	2/1989	Bott
5,071,130 A	12/1991	Shofner

5,443,262 A	8/1995	Weng	
D365,619 S	* 12/1995	Foster	..... D21/792
5,645,494 A	7/1997	Dionne et al.	
5,984,801 A	11/1999	Mason	
6,050,902 A	4/2000	McCrink, Jr.	
D429,304 S	* 8/2000	Browne, Jr.	..... D21/792
D508,725 S	* 8/2005	Park	..... D21/792

\* cited by examiner

*Primary Examiner*—Mitchell Siegel

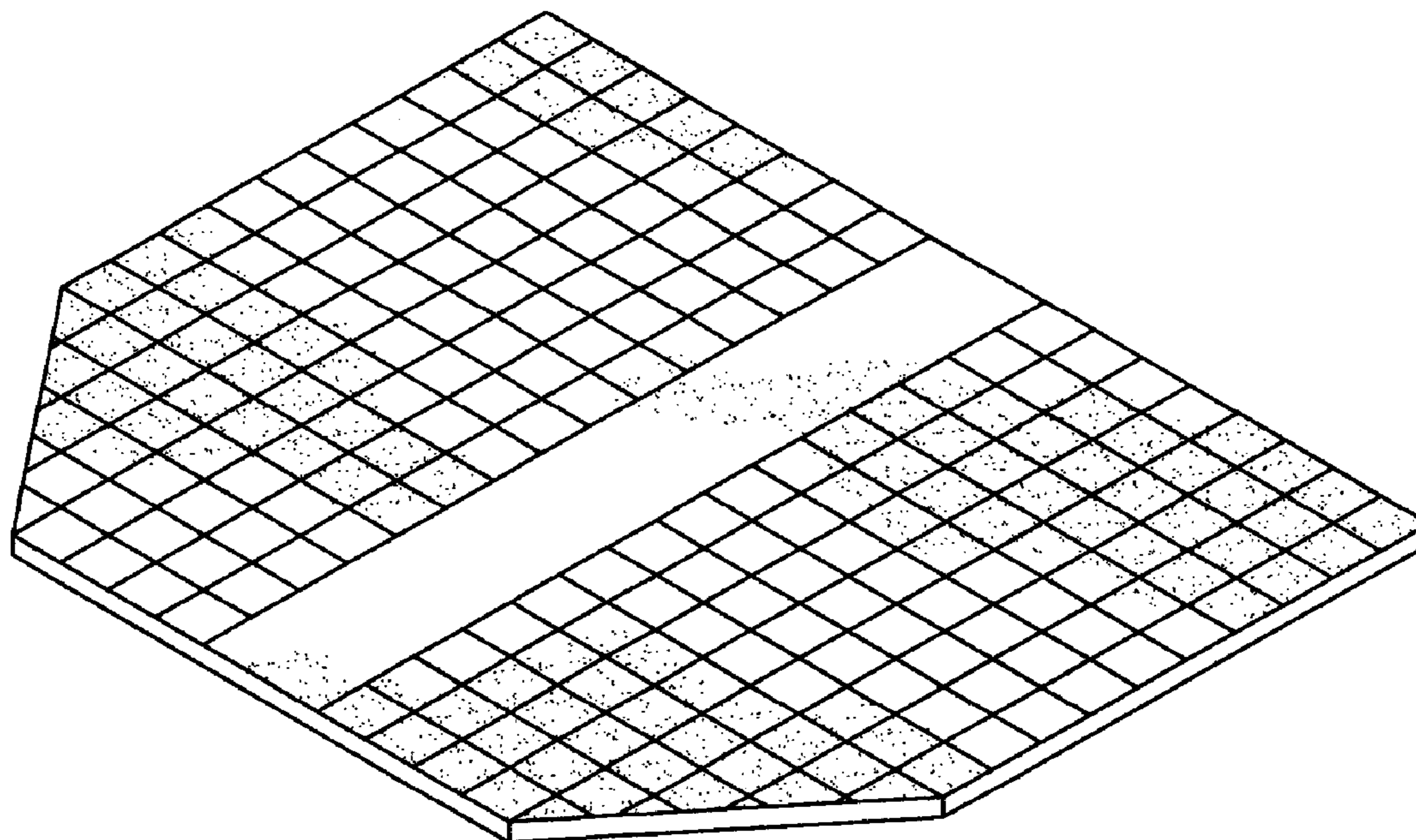
(57) **CLAIM**

The ornamental design for a training mat for golfers, as shown and described.

**DESCRIPTION**

FIG. 1 is a top plan view of a training mat for golfers showing my new design;  
FIG. 2 is a bottom plan view thereof;  
FIG. 3 is a side elevational view thereof;  
FIG. 4 is a front elevational view thereof;  
FIG. 5 is a rear elevational view thereof; and,  
FIG. 6 is a perspective view thereof.

**1 Claim, 3 Drawing Sheets**



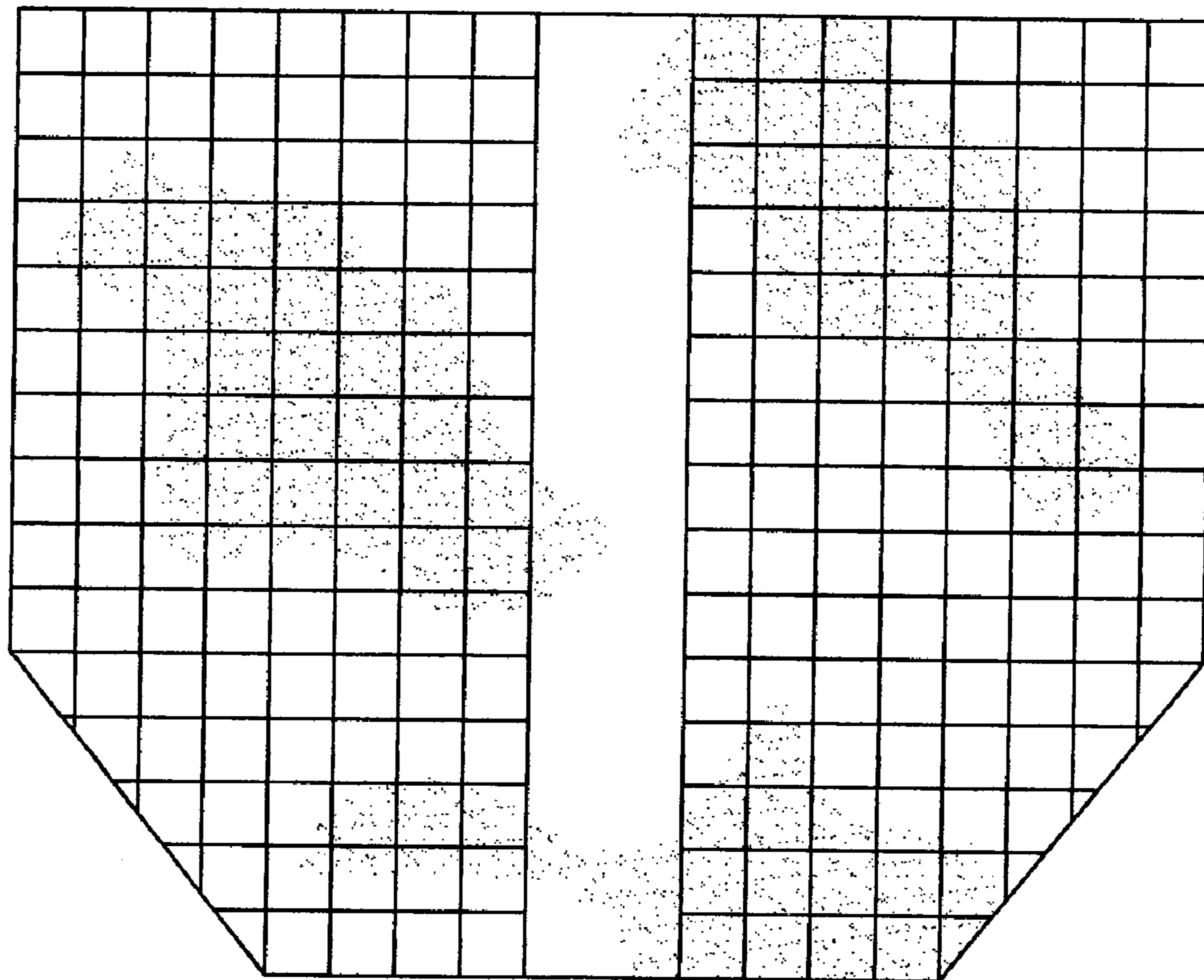


FIG.1

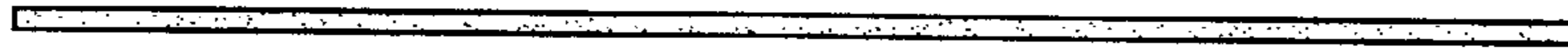


FIG.4

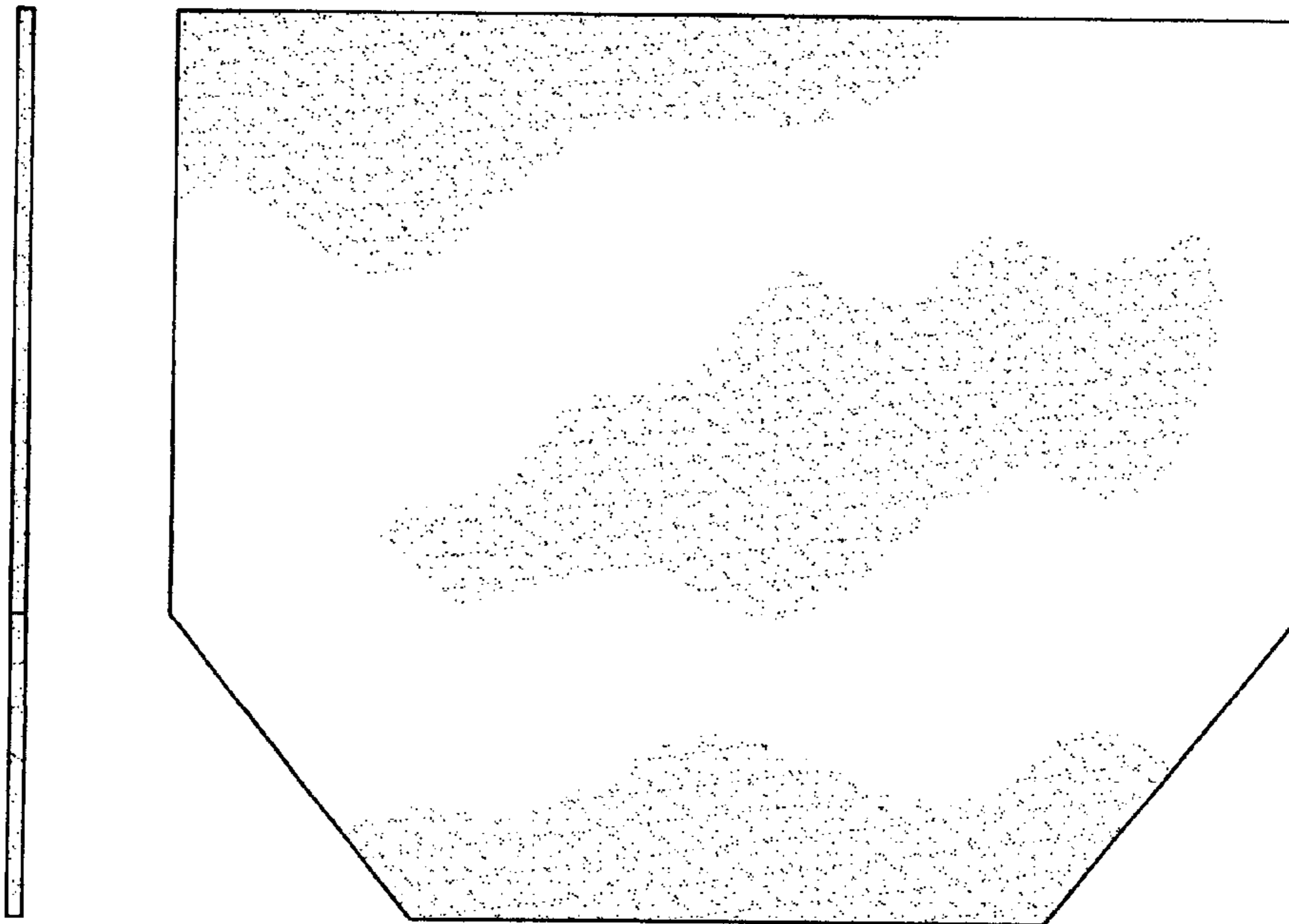


FIG.3

FIG.2

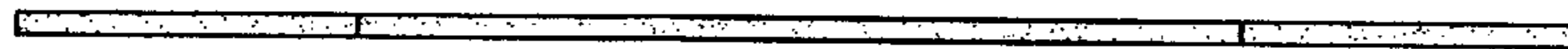


FIG.5

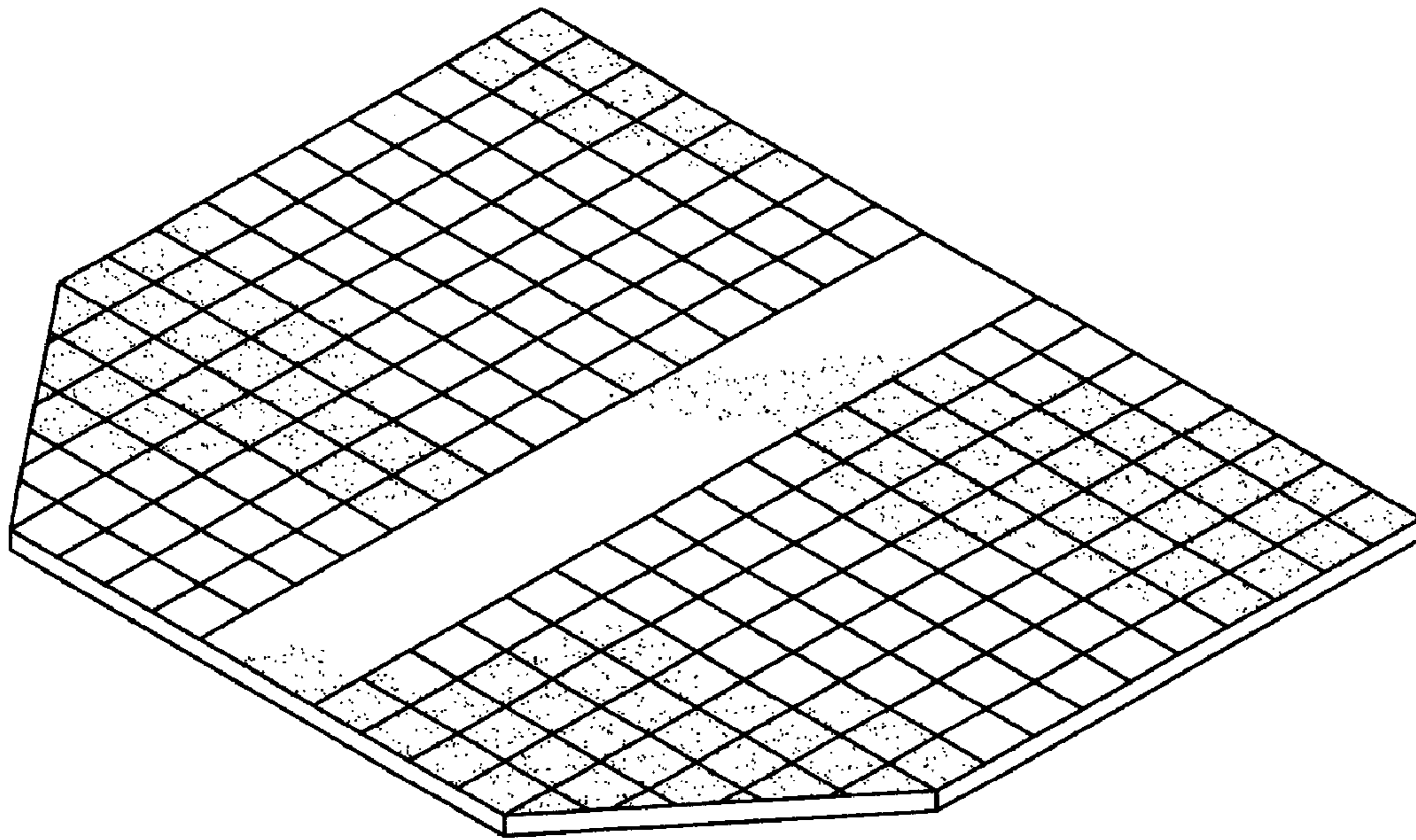


FIG.6