



US00D520089S

(12) **United States Design Patent**  
**Garcia**

(10) **Patent No.:** **US D520,089 S**

(45) **Date of Patent:** **\*\* May 2, 2006**

(54) **GOLF CLUB HEAD**

(76) **Inventor:** **Larry Garcia**, 396 Oakland Beach Ave., Rye, NY (US) 10580

(\*\*) **Term:** **14 Years**

(21) **Appl. No.:** **29/221,399**

(22) **Filed:** **Jan. 14, 2005**

(51) **LOC (8) Cl.** ..... **21-02**

(52) **U.S. Cl.** ..... **D21/744**

(58) **Field of Classification Search** ..... D21/736-746;  
473/324-331, 340, 341, 251-256  
See application file for complete search history.

(56) **References Cited**

**U.S. PATENT DOCUMENTS**

D375,131 S	*	10/1996	Williams	.....	D21/743
D393,674 S	*	4/1998	Rhee	.....	D21/745
D399,900 S	*	10/1998	Hogan	.....	D21/742
D424,642 S	*	5/2000	Reed et al.	.....	D21/744

D425,157 S	*	5/2000	Reed et al.	.....	D21/744
D426,601 S	*	6/2000	Reed et al.	.....	D21/744
D434,820 S	*	12/2000	Reed et al.	.....	D21/744

\* cited by examiner

*Primary Examiner*—Mitchell Siegel

(57) **CLAIM**

I claim the ornamental design for a golf club head, as shown in the drawing.

**DESCRIPTION**

FIG. 1 is a perspective view of a golf club head showing my new design.

FIG. 2 is a top plan view thereof.

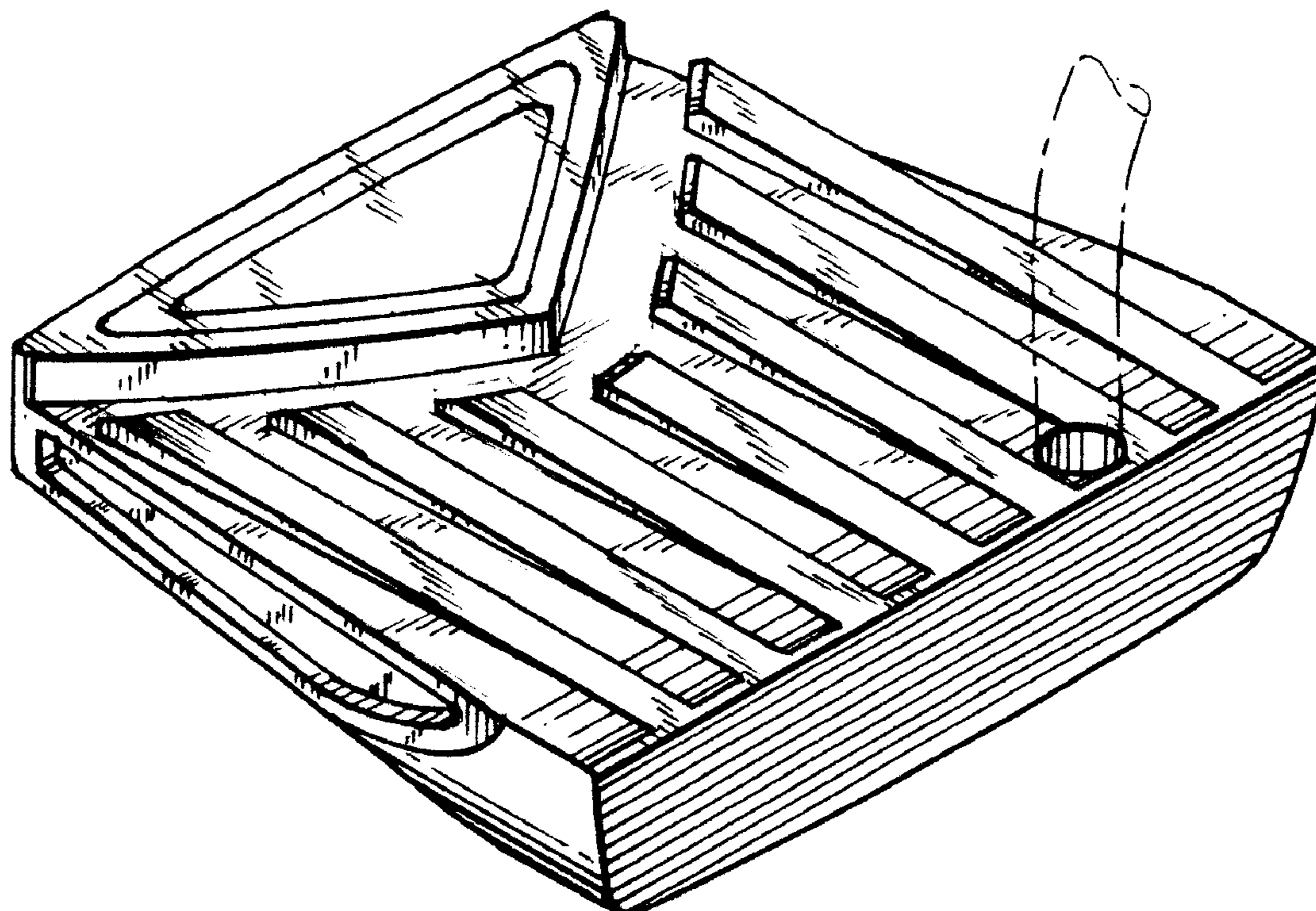
FIG. 3 is a left side elevation view thereof, the undisclosed right side being a mirror image;

FIG. 4 is a bottom plan view thereof.

FIG. 5 is a front elevation view thereof; and,

FIG. 6 is a rear elevation view thereof.

**1 Claim, 3 Drawing Sheets**



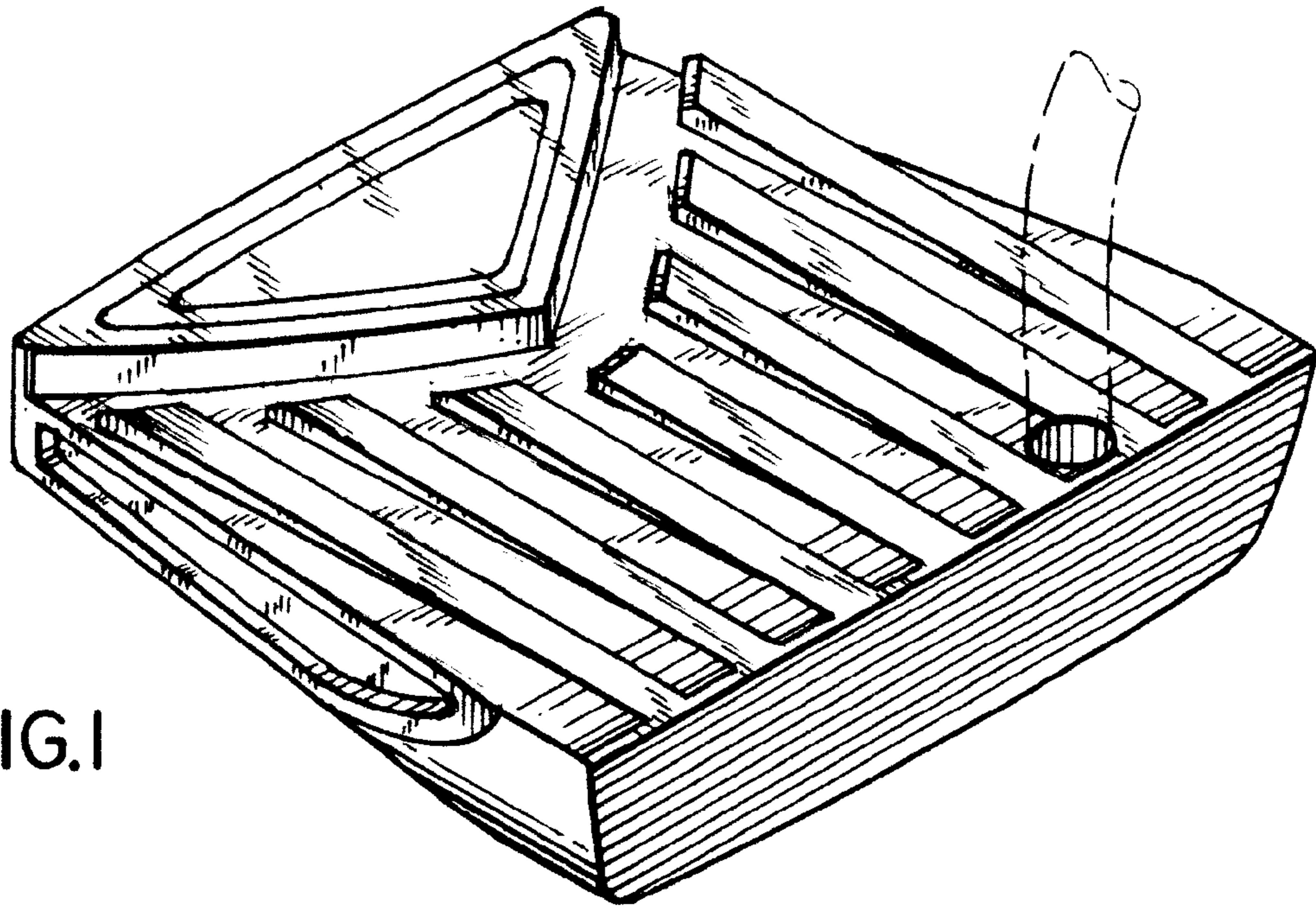


FIG. 1

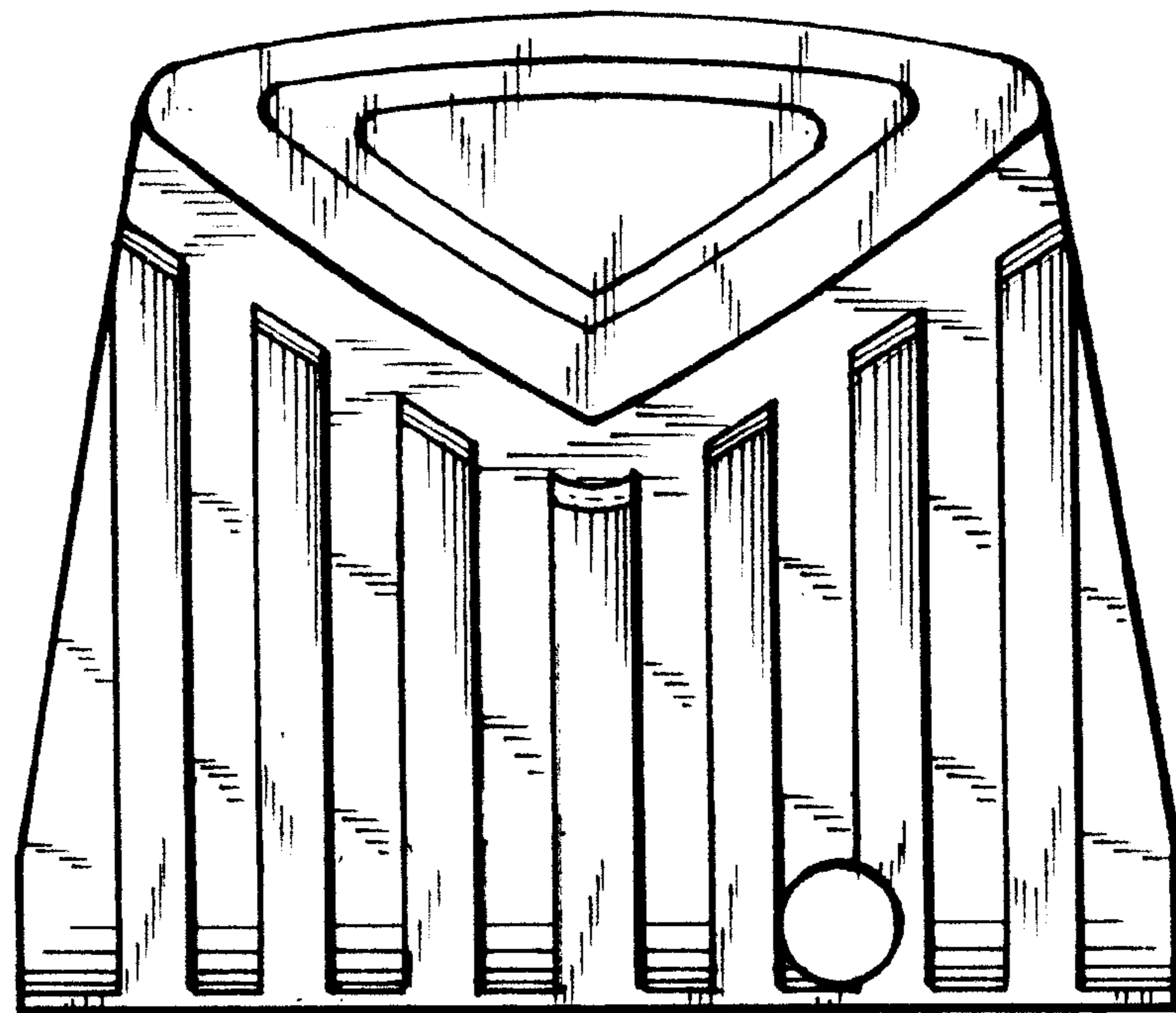


FIG. 2

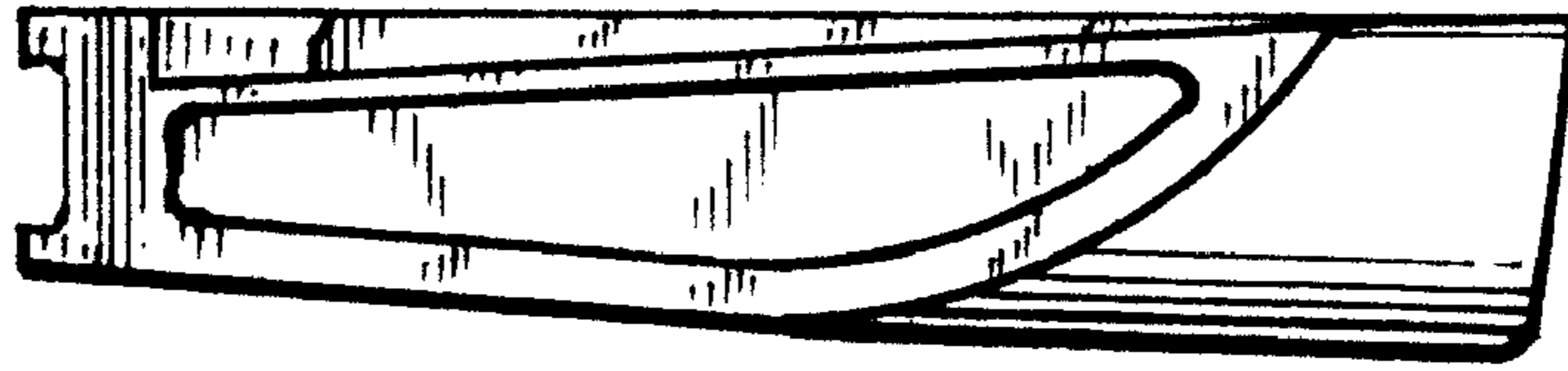


FIG.3

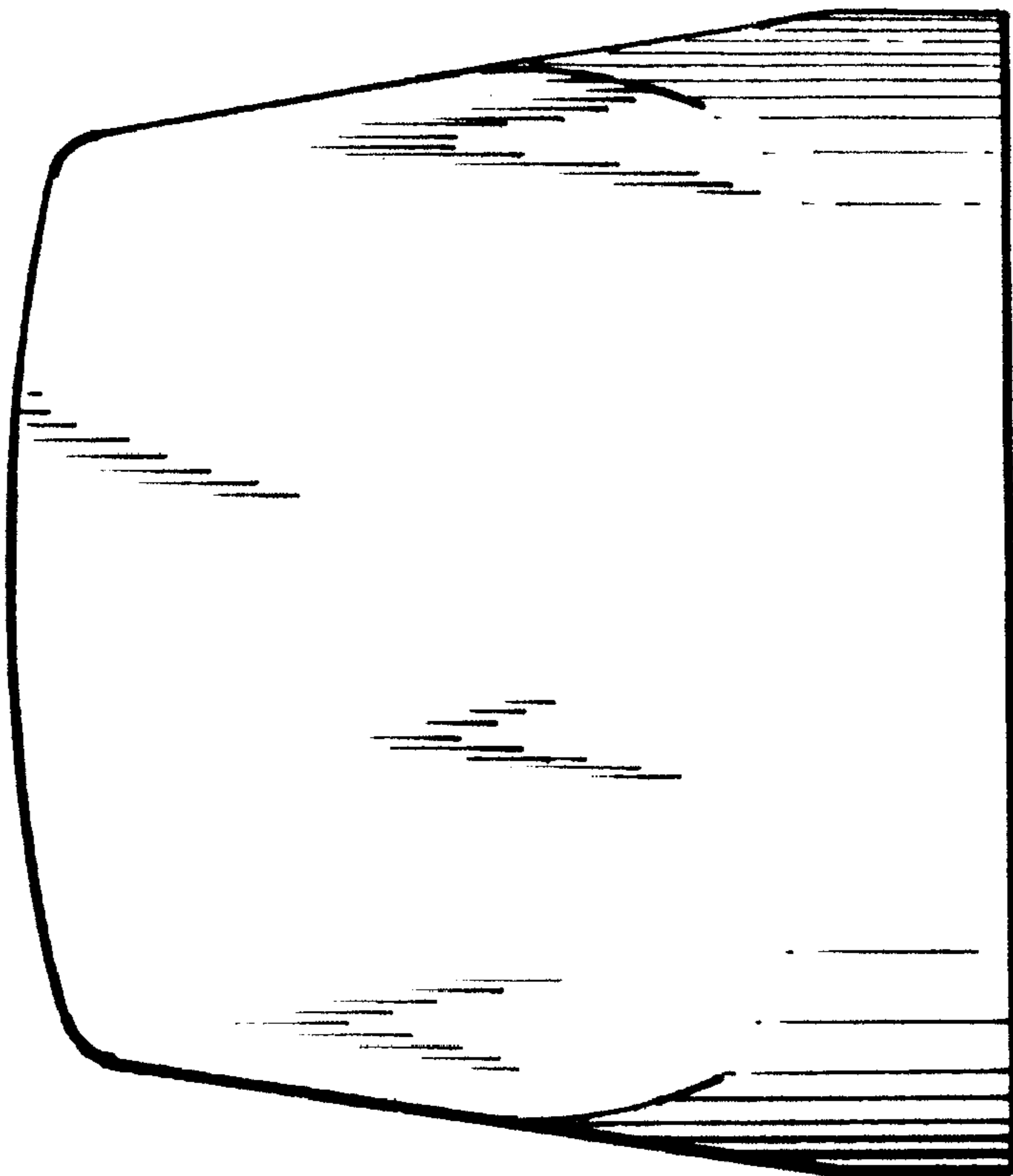


FIG.4

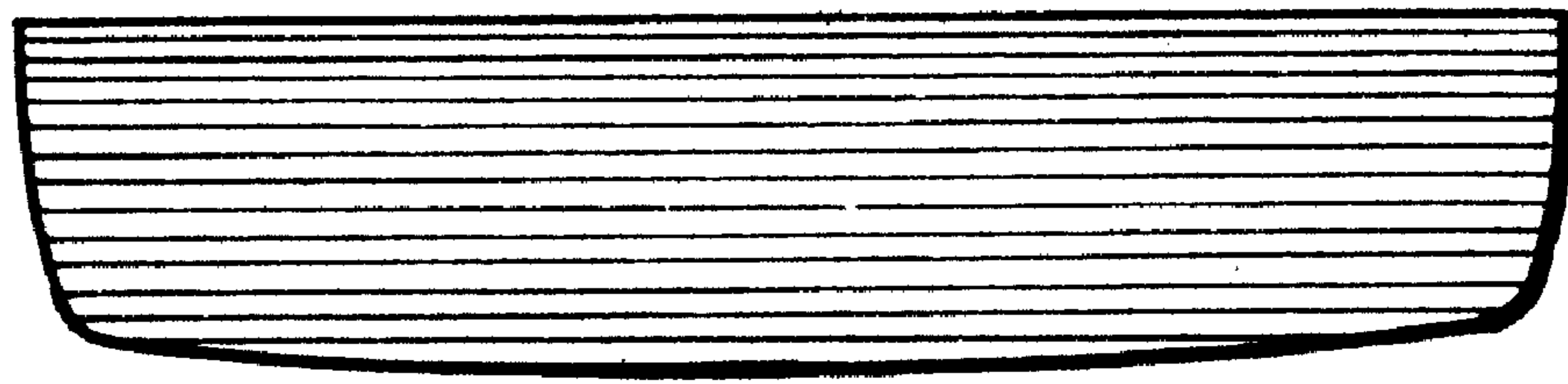


FIG. 5

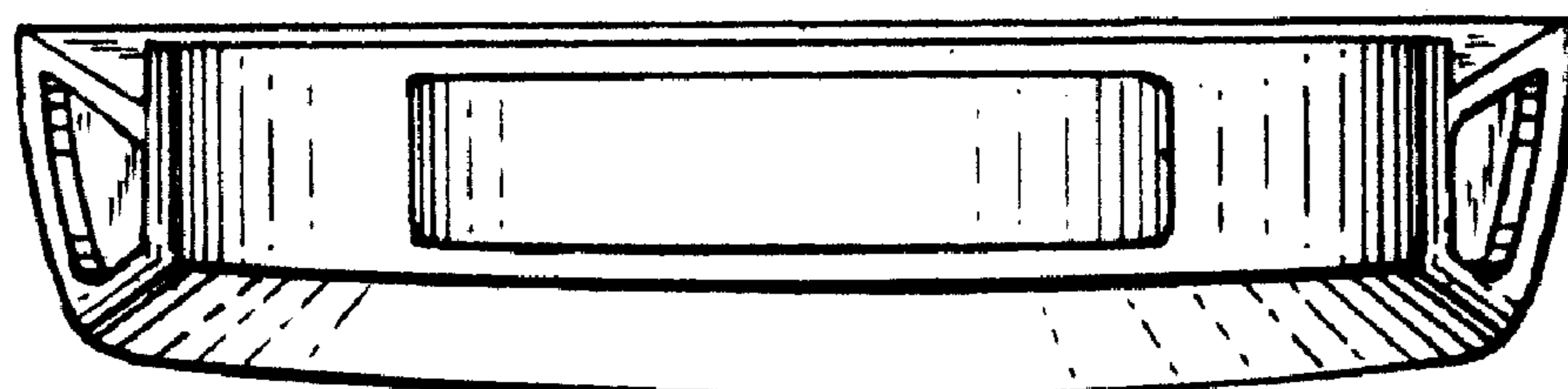


FIG. 6