



US00D520088S

(12) **United States Design Patent**
Parr

(10) **Patent No.:** **US D520,088 S**

(45) **Date of Patent:** **** May 2, 2006**

(54) **PUTTER HEAD**

D500,540 S * 1/2005 Hammarberg D21/742
D507,319 S * 7/2005 Kramski D21/744

(76) **Inventor:** **W. Donald Parr**, 3530 Travis St. #414,
Dallas, TX (US) 75204

* cited by examiner

(**) **Term:** **14 Years**

Primary Examiner—Mitchell Siegel
(74) *Attorney, Agent, or Firm*—Baker Botts L.L.P.

(21) **Appl. No.:** **29/219,736**

(57) **CLAIM**

(22) **Filed:** **Dec. 21, 2004**

The ornamental design for a putter head, as shown and described.

(51) **LOC (8) Cl.** **21-02**

(52) **U.S. Cl.** **D21/744**

(58) **Field of Classification Search** D21/736–746;
473/324–331, 340, 341, 251–256

See application file for complete search history.

DESCRIPTION

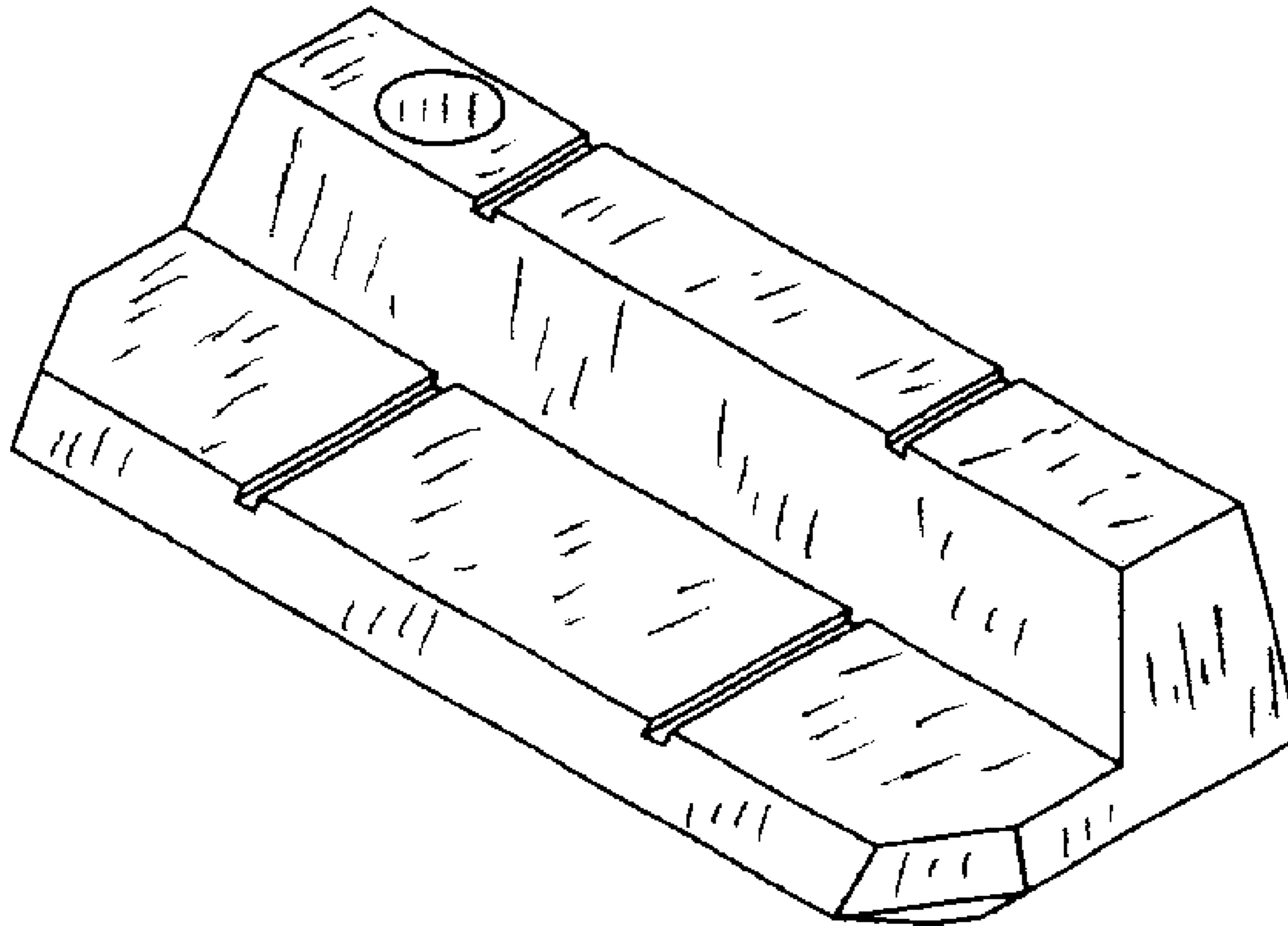
FIG. 1 is a rear perspective view of the ornamental design of a putter head showing my new design; FIG. 2 is a front perspective view of the putter head; FIG. 3 is a front view of the putter head; FIG. 4 is a rear view of the putter head; FIG. 5 is a top view of the putter head; FIG. 6 is a bottom view of the putter head; FIG. 7 is a toe end view of the putter head; and, FIG. 8 is a heel end view of the putter head.

(56) **References Cited**

U.S. PATENT DOCUMENTS

D245,932 S	*	9/1977	Lowry	D21/742
D258,377 S	*	2/1981	Nordness et al.	D21/736
D335,692 S	*	5/1993	Antonious	D21/736
D365,615 S	*	12/1995	Shimatani	D21/743
D416,951 S	*	11/1999	Wei	D21/553

1 Claim, 1 Drawing Sheet



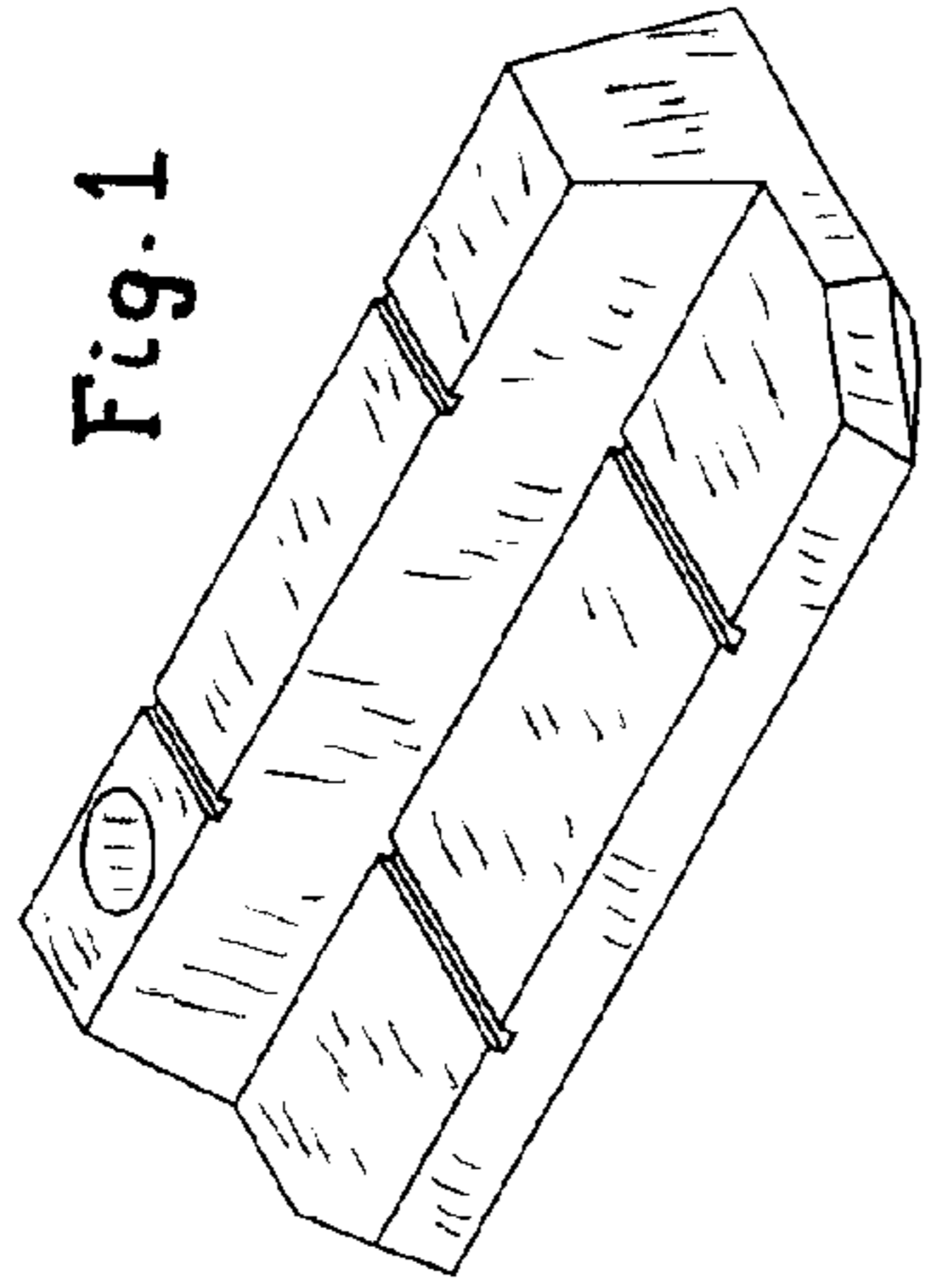


Fig. 1

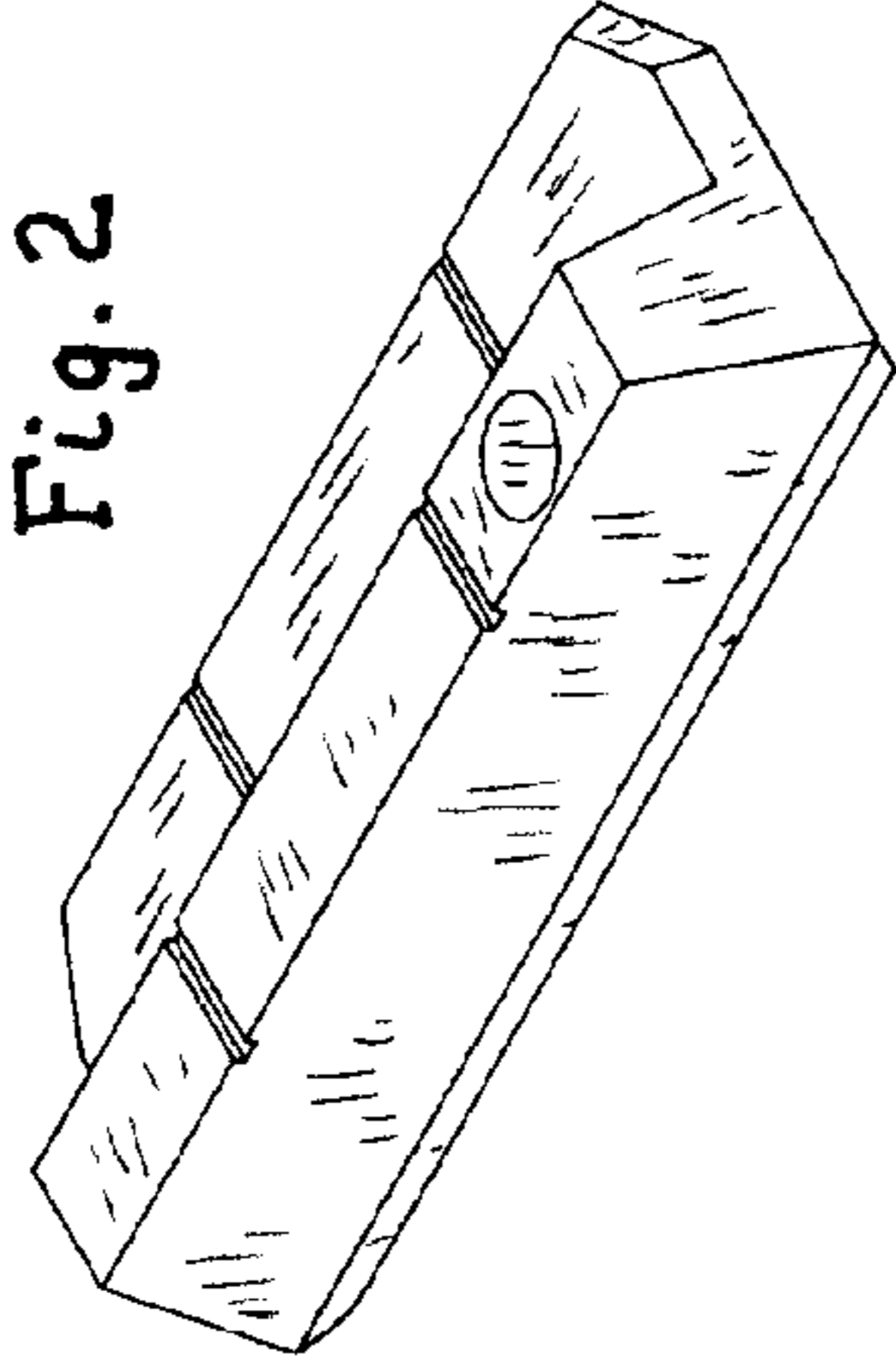


Fig. 2

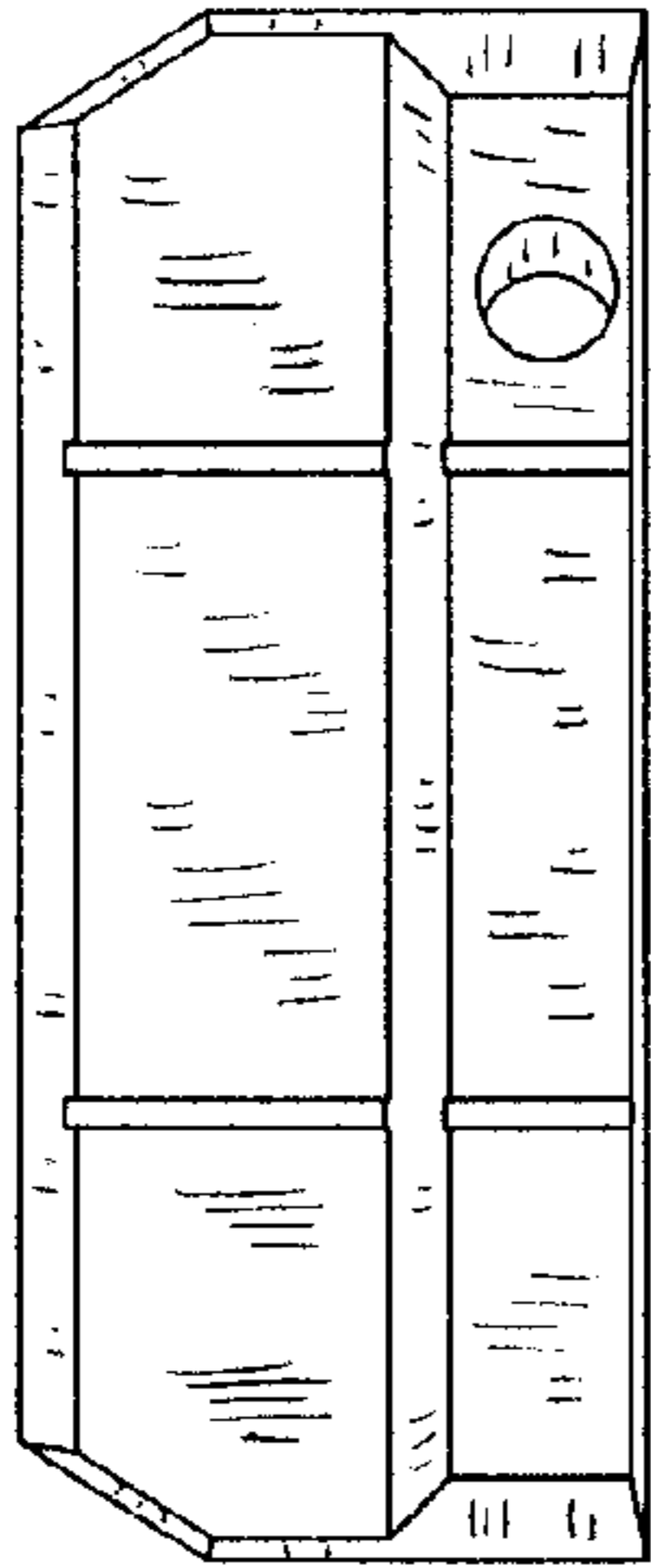


Fig. 5

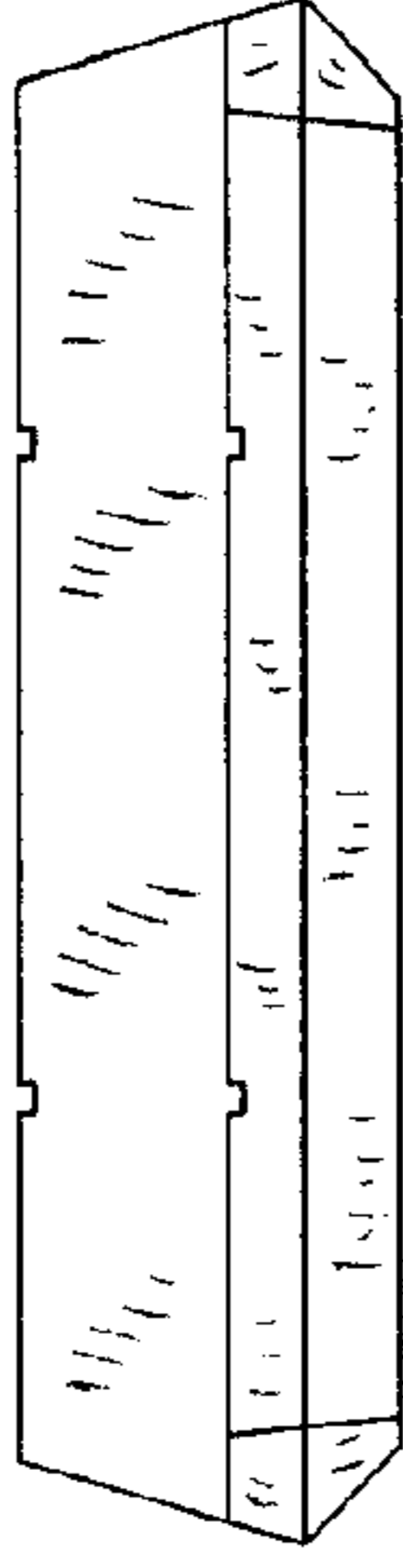


Fig. 4

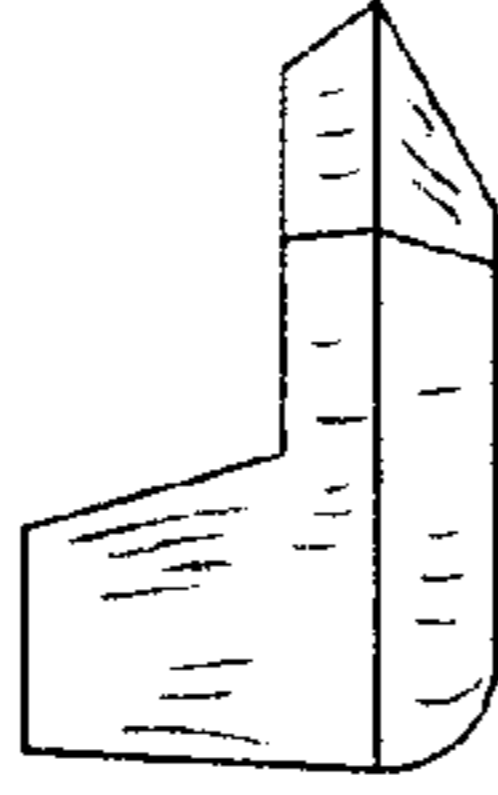


Fig. 8

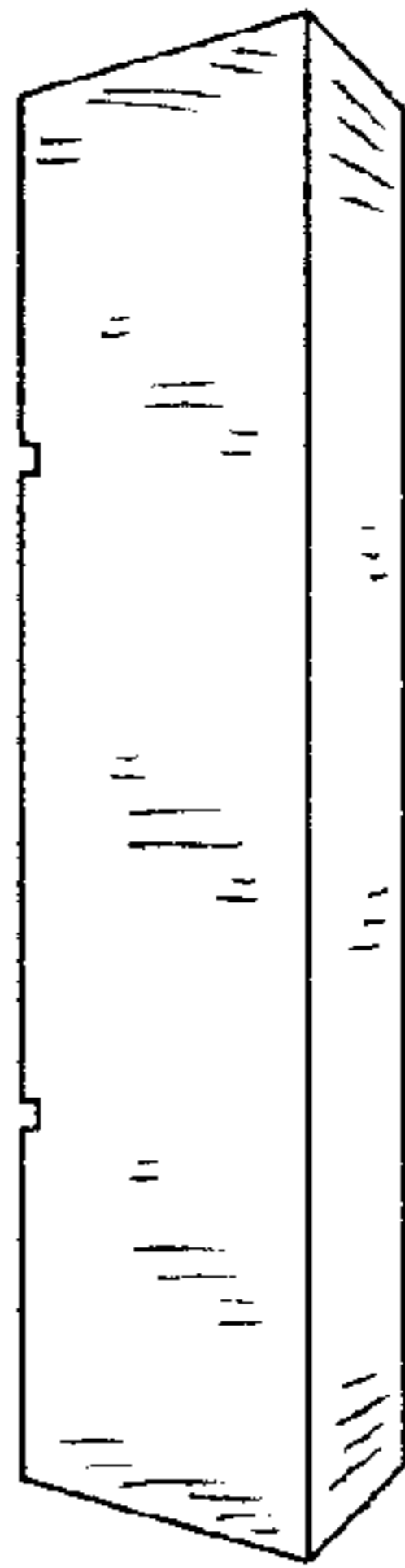


Fig. 3

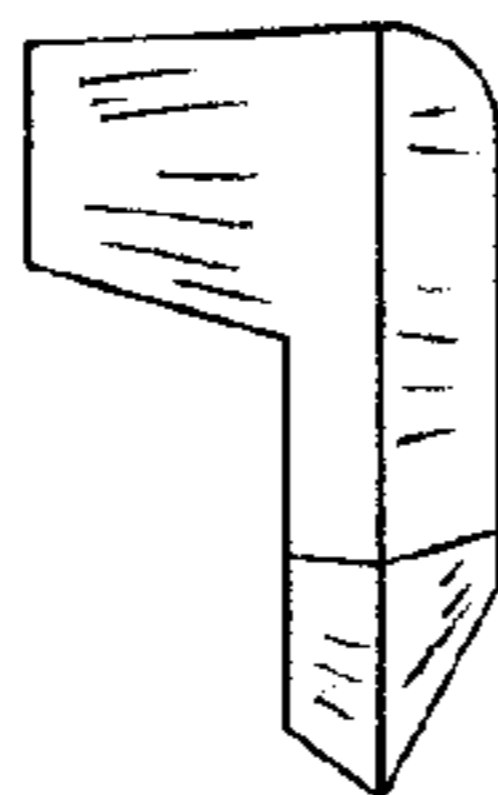


Fig. 7

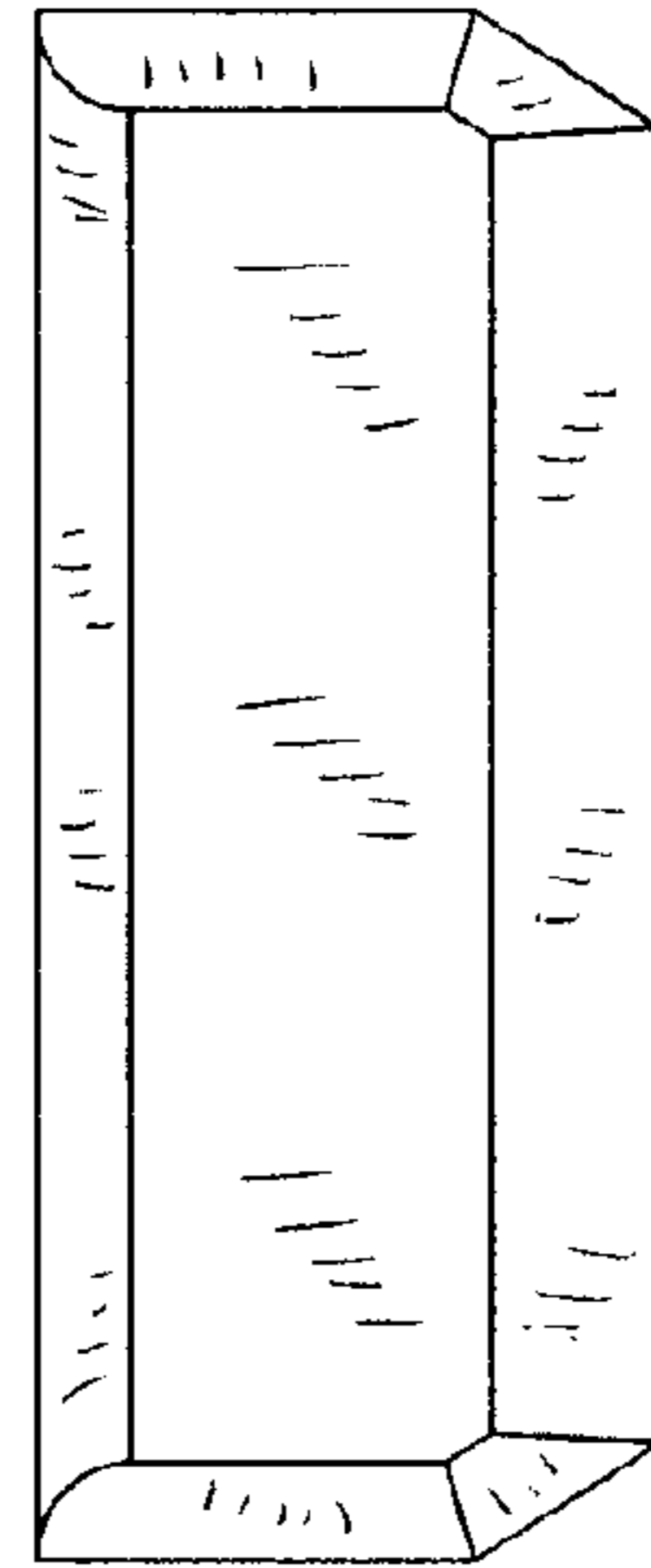


Fig. 6