

US00D520085S

(12) **United States Design Patent**
Willardson et al.

(10) **Patent No.:** **US D520,085 S**

(45) **Date of Patent:** **** May 2, 2006**

(54) **EXERCISE SYSTEM SHIELD**

(75) Inventors: **Jared Willardson**, Smithfield, UT (US); **William T. Dalebout**, North Logan, UT (US)

(73) Assignee: **Icon IP, Inc.**, Logan, UT (US)

(**) Term: **14 Years**

(21) Appl. No.: **29/211,777**

(22) Filed: **Aug. 20, 2004**

(51) **LOC (8) Cl.** **21-02**

(52) **U.S. Cl.** **D21/694; D21/675**

(58) **Field of Classification Search** D21/662, D21/674, 675, 676, 694; 482/99, 100, 133, 482/137, 138, 139, 142; D25/58; D6/332
See application file for complete search history.

(56) **References Cited**

U.S. PATENT DOCUMENTS

D330,238 S	*	10/1992	Desiderio	D21/675
D353,423 S	*	12/1994	Chen	D21/676
D358,183 S	*	5/1995	Habing et al.	D21/675
D359,326 S	*	6/1995	Deola	D21/675
D367,900 S	*	3/1996	Hu	D21/676
D399,063 S	*	10/1998	Verbeek et al.	D6/332
D405,616 S	*	2/1999	Hellwig et al.	D6/332
D408,929 S	*	4/1999	Fear et al.	D25/58
D439,939 S	*	4/2001	Batca et al.	D21/676

D445,853 S	*	7/2001	Batca et al.	D21/675
D449,169 S	*	10/2001	Bennie et al.	D6/332
D457,580 S	*	5/2002	Webber	D21/675
D493,854 S	*	8/2004	Grider	D21/694

* cited by examiner

Primary Examiner—Philip S. Hyder

(74) *Attorney, Agent, or Firm*—Workman Nydegger

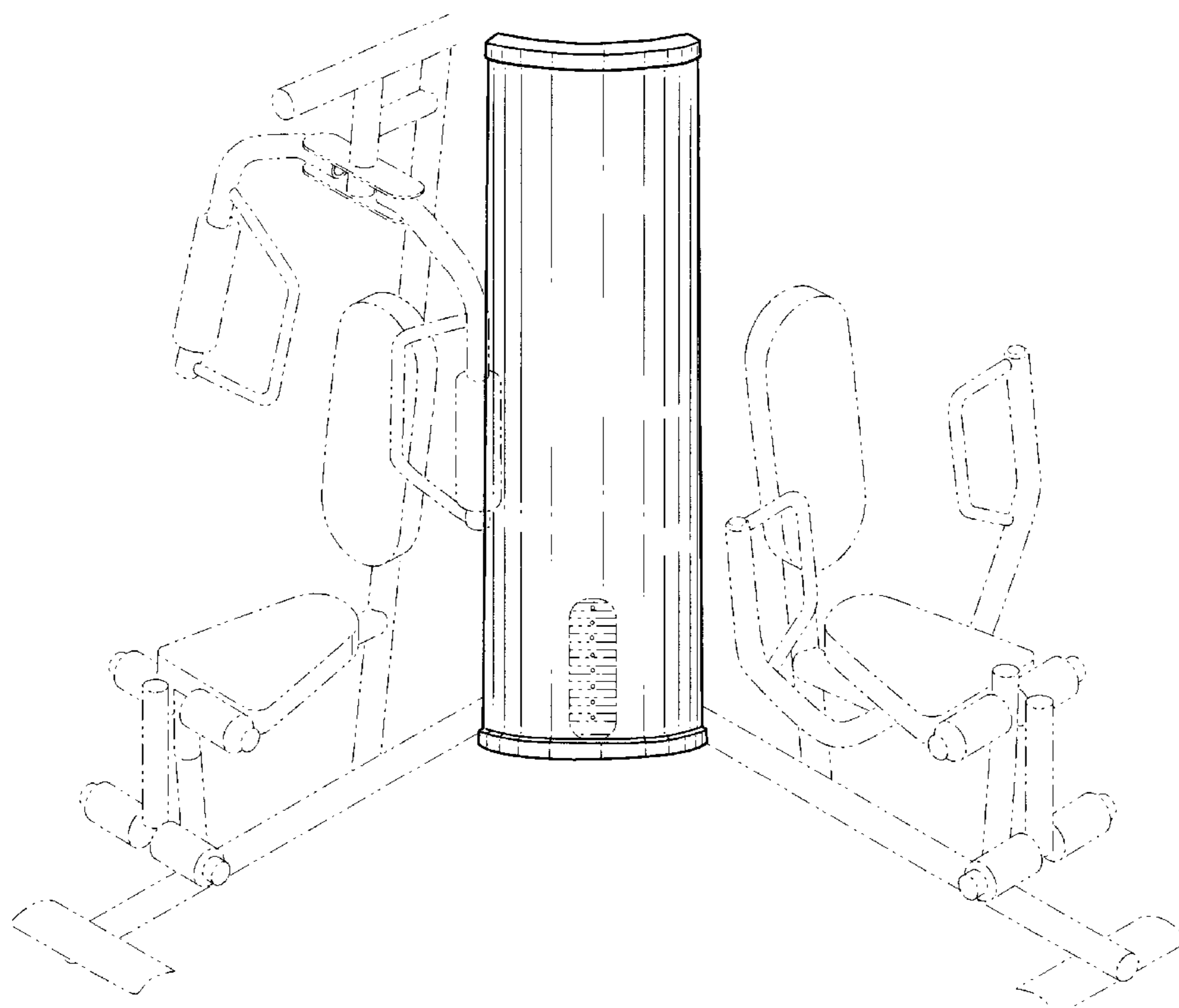
(57) **CLAIM**

The ornamental design for an exercise system shield, as shown and described.

DESCRIPTION

FIG. 1 is a top front perspective of an exercise system shield showing my new design, with exercise system components and a weight stack shown in broken, phantom line form; FIG. 2 is a front view of the exercise system shield shown in FIG. 1, wherein the broken, phantom lines define an unclaimed hole; FIG. 3 is a top view of the shield shown in FIG. 1, the bottom view being the mirror image thereof; FIG. 4 is a side view of the shield shown in FIG. 1, the opposing side being the mirror image thereof; and, FIG. 5 is a back view of the shield shown in FIG. 1. The objects shown in broken, phantom lines are shown for environmental purposes only and form no part of the claimed design.

1 Claim, 2 Drawing Sheets



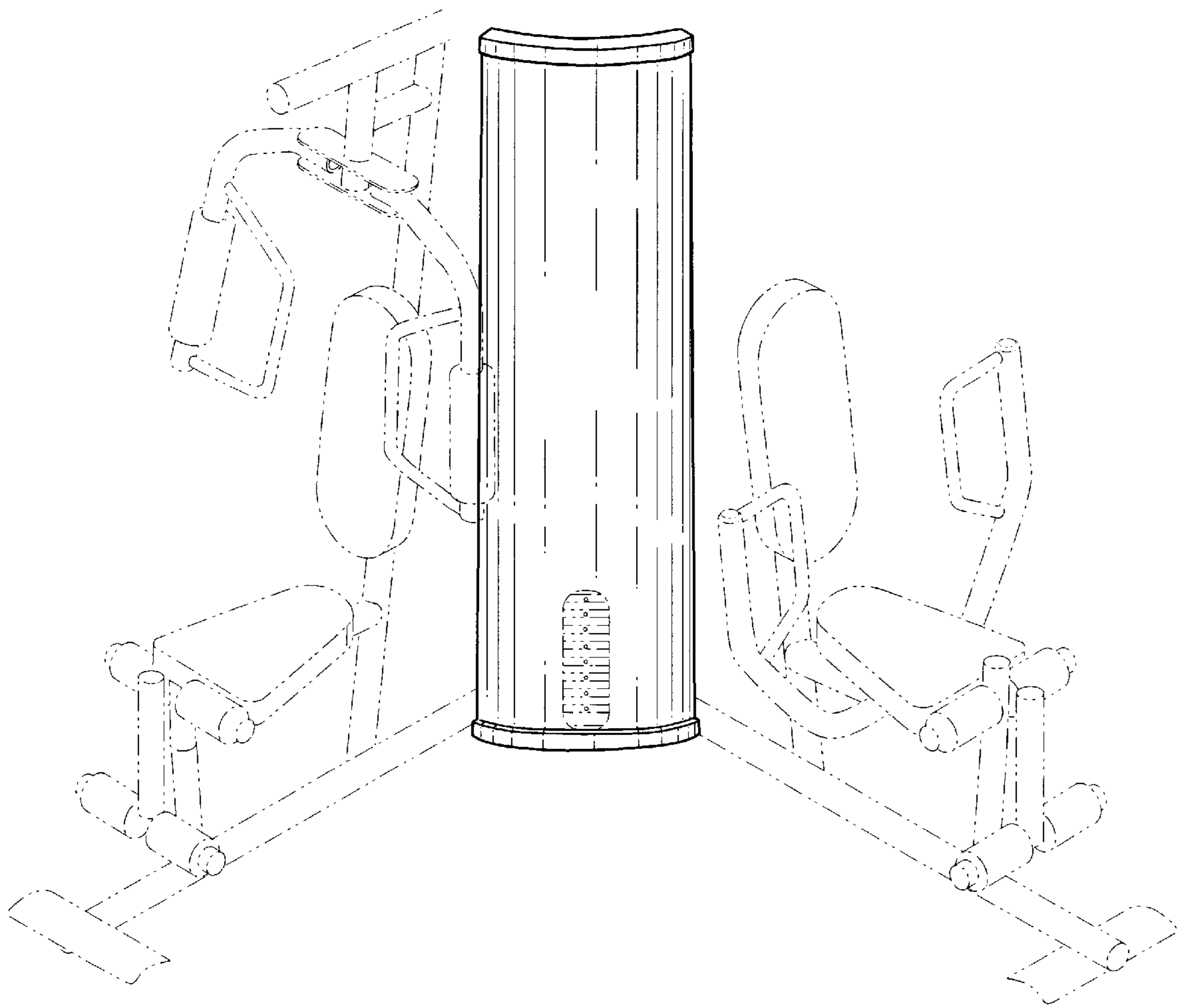


Fig. 1

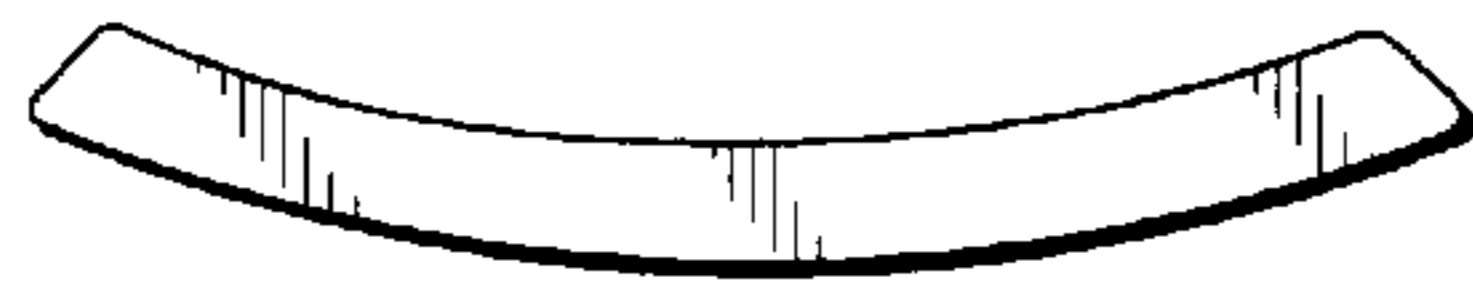


Fig. 3



Fig. 4



Fig. 2

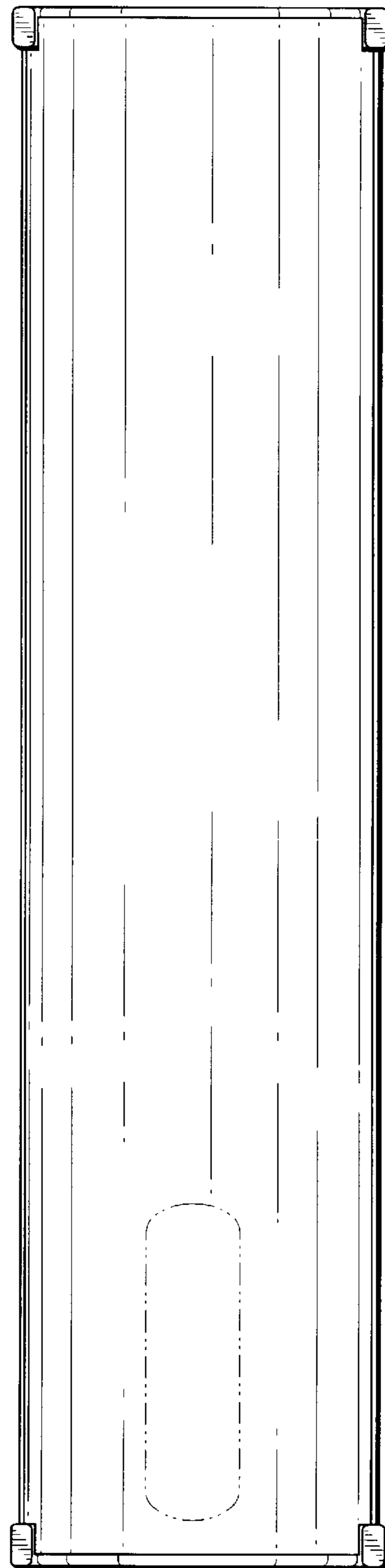


Fig. 5