



US00D520083S

(12) **United States Design Patent**  
**Lu**

(10) **Patent No.:** **US D520,083 S**

(45) **Date of Patent:** **\*\* May 2, 2006**

(54) **EXERCISING DEVICE WITH A MASSAGE CAPABILITY**

D494,645 S \* 8/2004 Otomi et al. .... D21/662  
D495,015 S \* 8/2004 Tudico ..... D21/688

(76) Inventor: **Shun-Tsung Lu**, 160-2, Sec. 2, Fu Hsing Rd., Taichung (TW)

\* cited by examiner

*Primary Examiner*—Philip S. Hyder

(\*\*) Term: **14 Years**

(74) *Attorney, Agent, or Firm*—Troxell Law Office, PLLC

(21) Appl. No.: **29/213,173**

(57) **CLAIM**

(22) Filed: **Sep. 15, 2004**

The ornamental design for an exercising device with a massage capability, as shown and described.

(51) **LOC (8) Cl.** ..... **21-02**

**DESCRIPTION**

(52) **U.S. Cl.** ..... **D21/685; D21/688**

(58) **Field of Classification Search** ..... D21/662,  
D21/685, 686, 688; 482/51, 79, 80, 107,  
482/108, 146, 147

FIG. 1 is a perspective view of an exercising device with a massage capability, showing my new design;  
FIG. 2 is a front view thereof;  
FIG. 3 is a rear view thereof;  
FIG. 4 is a left side view thereof;  
FIG. 5 is a right side view thereof;  
FIG. 6 is a top view thereof;  
FIG. 7 is a bottom view thereof; and,  
FIG. 8 is a perspective view showing an embodiment of the claimed design, wherein the broken lines are shown for illustrative purposes only and form no part of the claimed design.

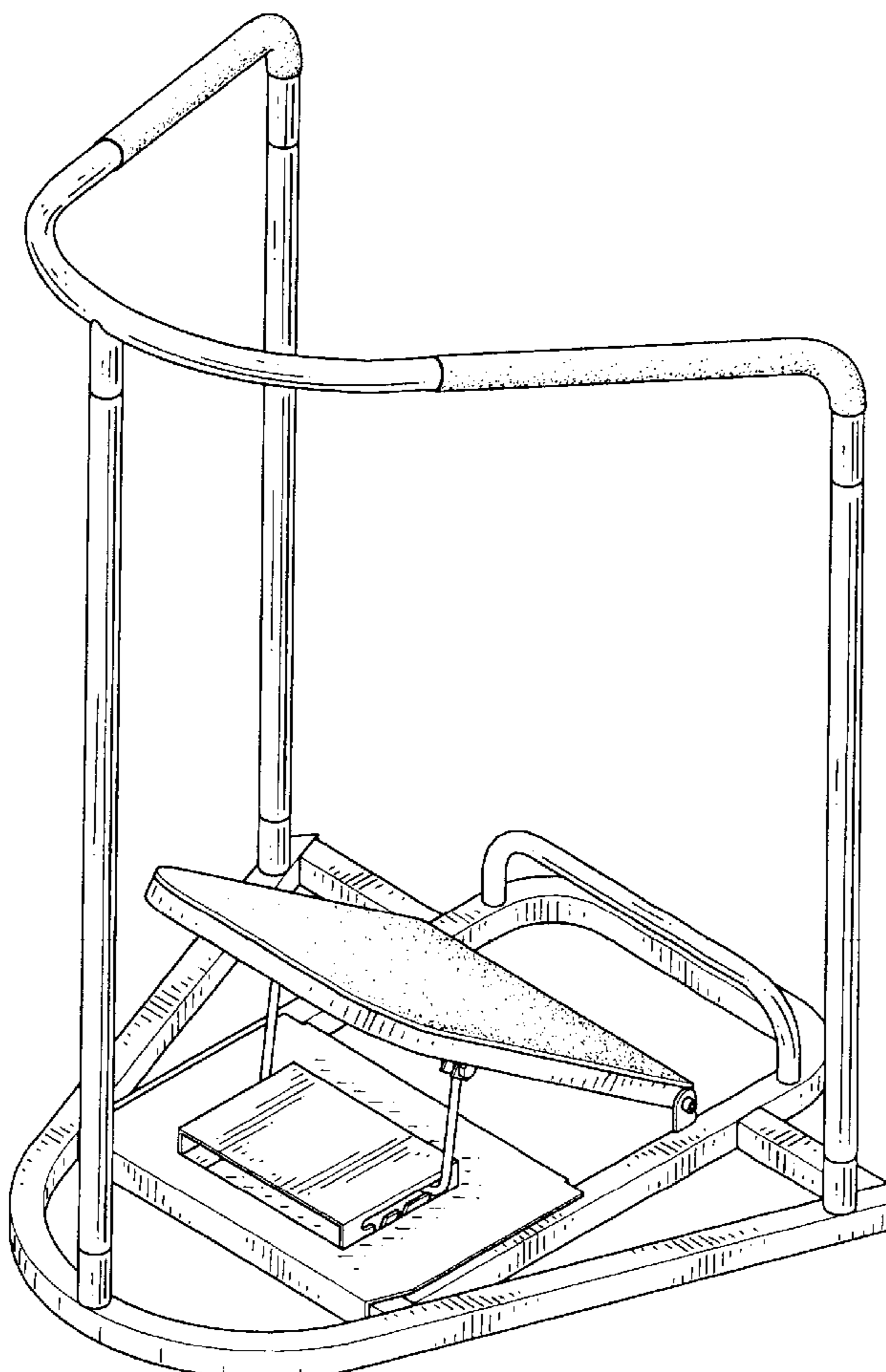
See application file for complete search history.

(56) **References Cited**

**U.S. PATENT DOCUMENTS**

- 5,518,476 A \* 5/1996 McLeon ..... 482/79
- 5,695,439 A \* 12/1997 Lin ..... 482/146
- 5,888,182 A \* 3/1999 Shih ..... 482/147
- 6,117,052 A \* 9/2000 Frost et al. .... 482/52
- 6,692,419 B1 \* 2/2004 Chen ..... 482/146
- 6,740,011 B1 \* 5/2004 Tsai et al. .... 482/80

**1 Claim, 5 Drawing Sheets**



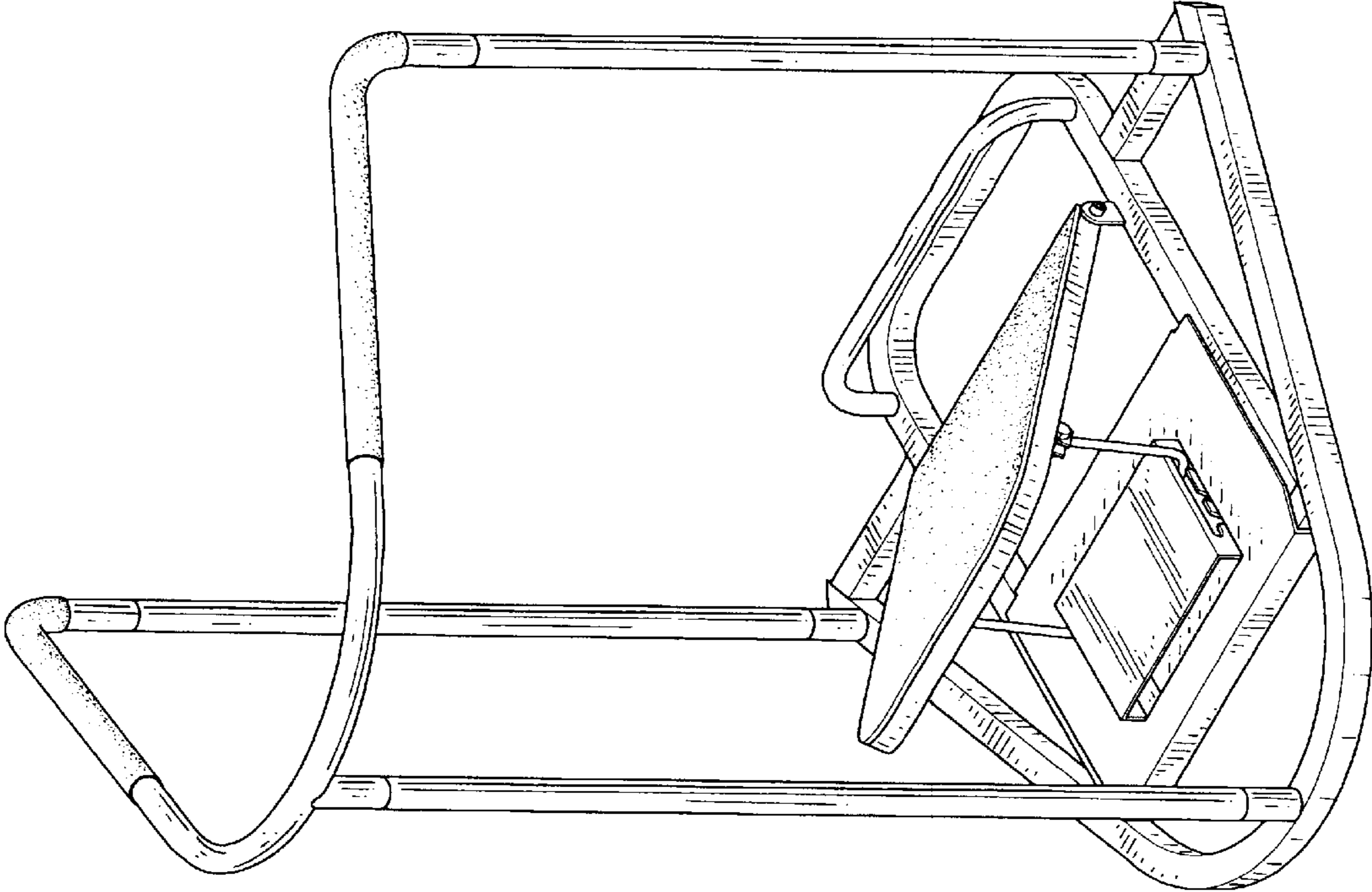


FIG. 1

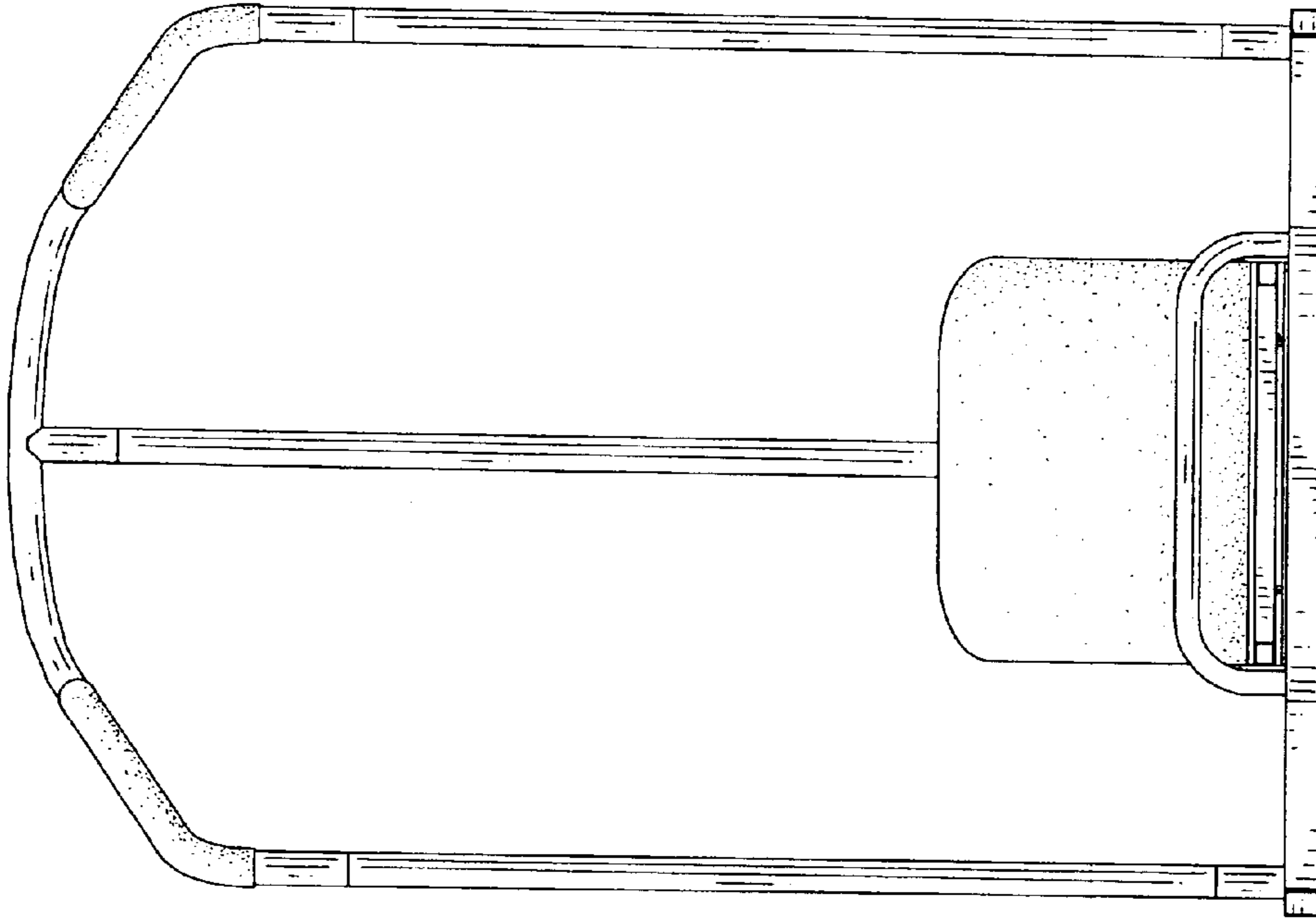


FIG.3

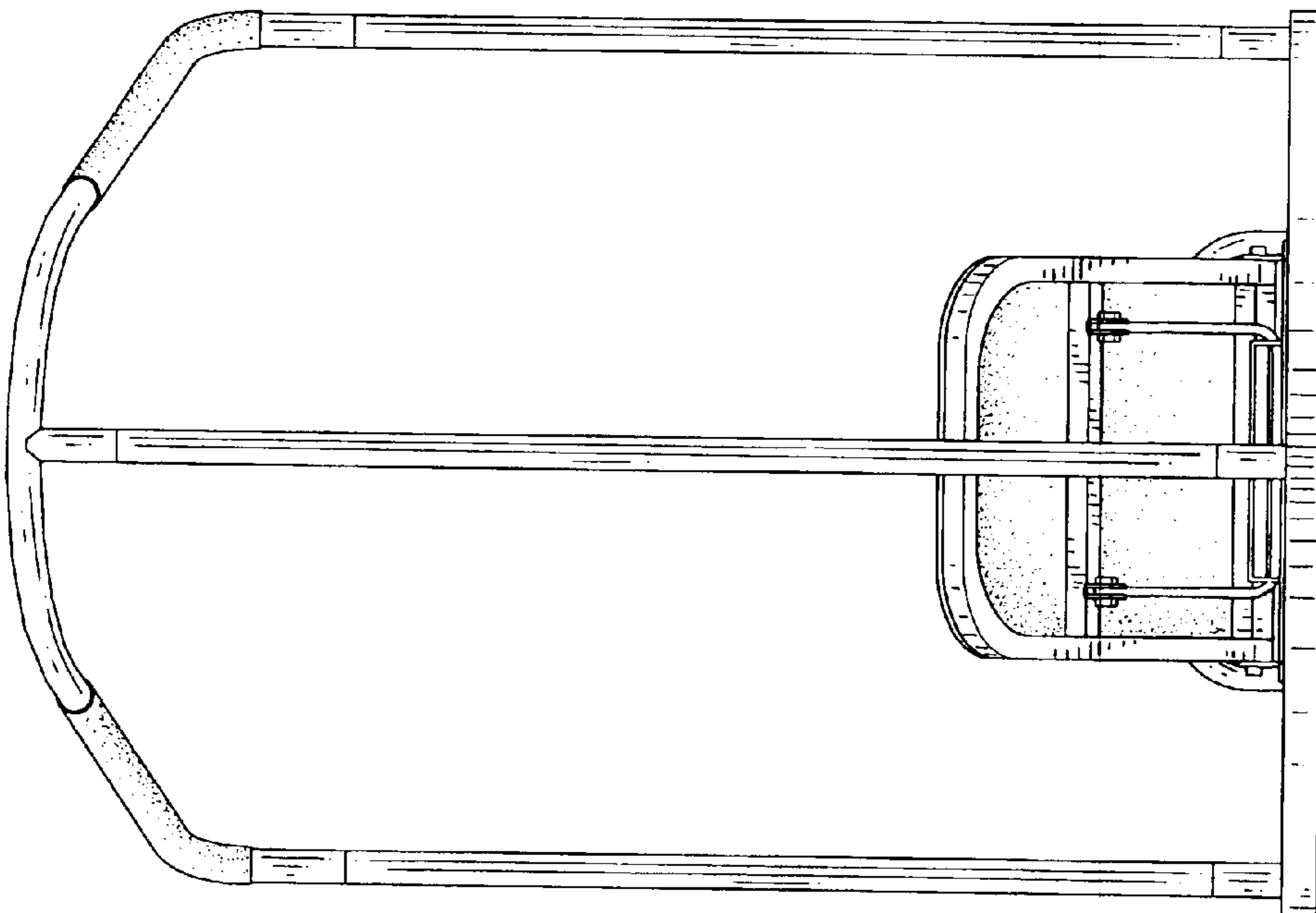


FIG.2

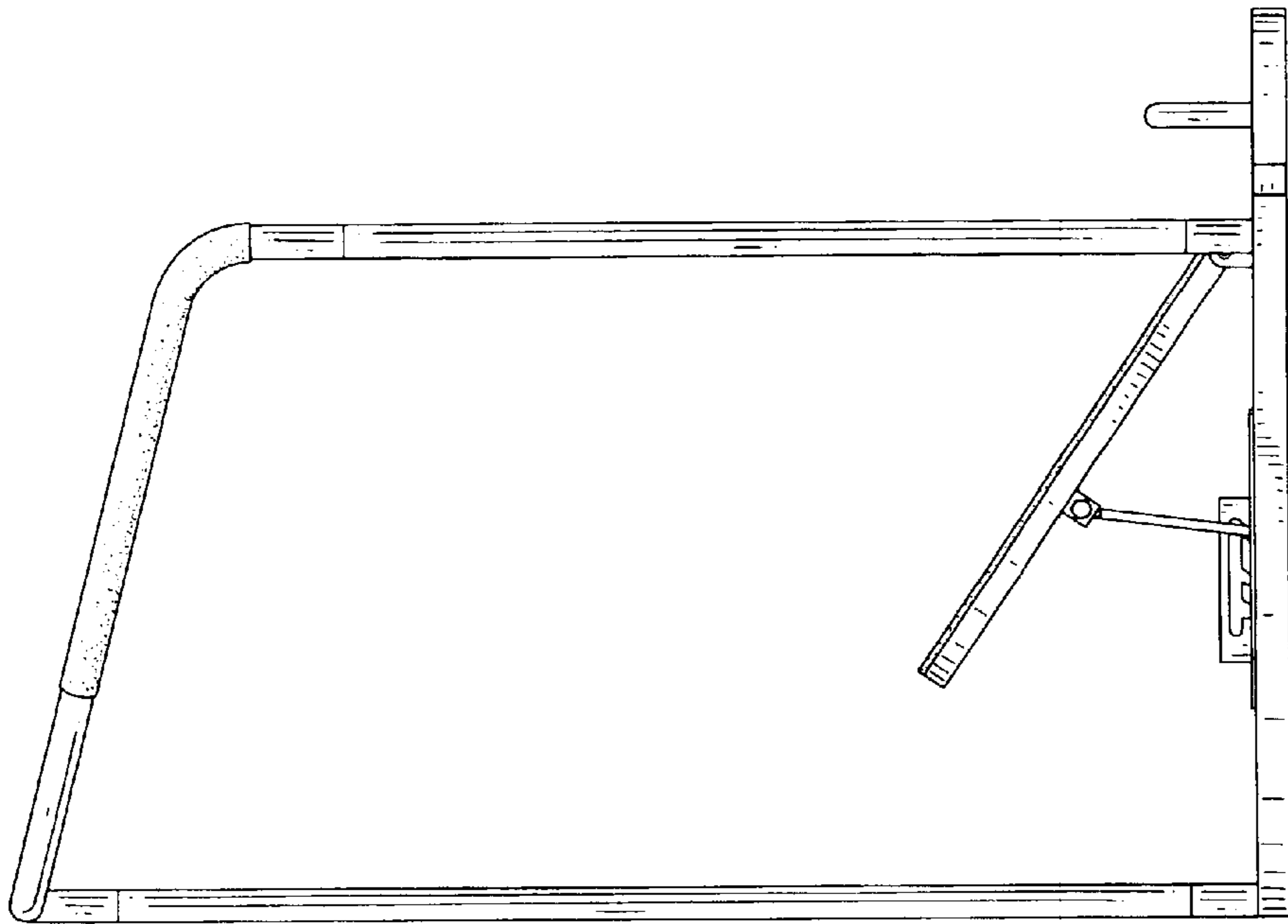


FIG.5

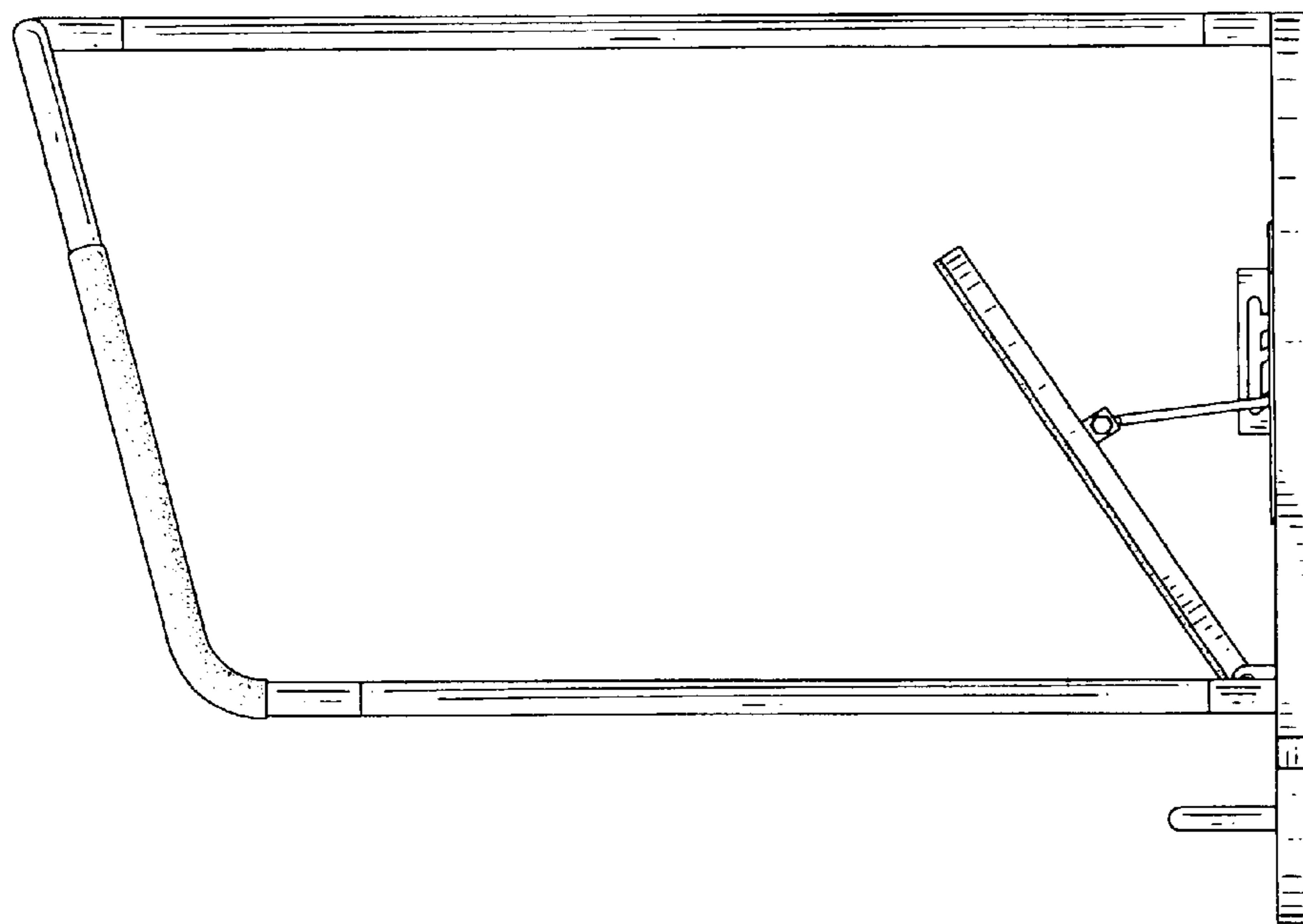


FIG.4

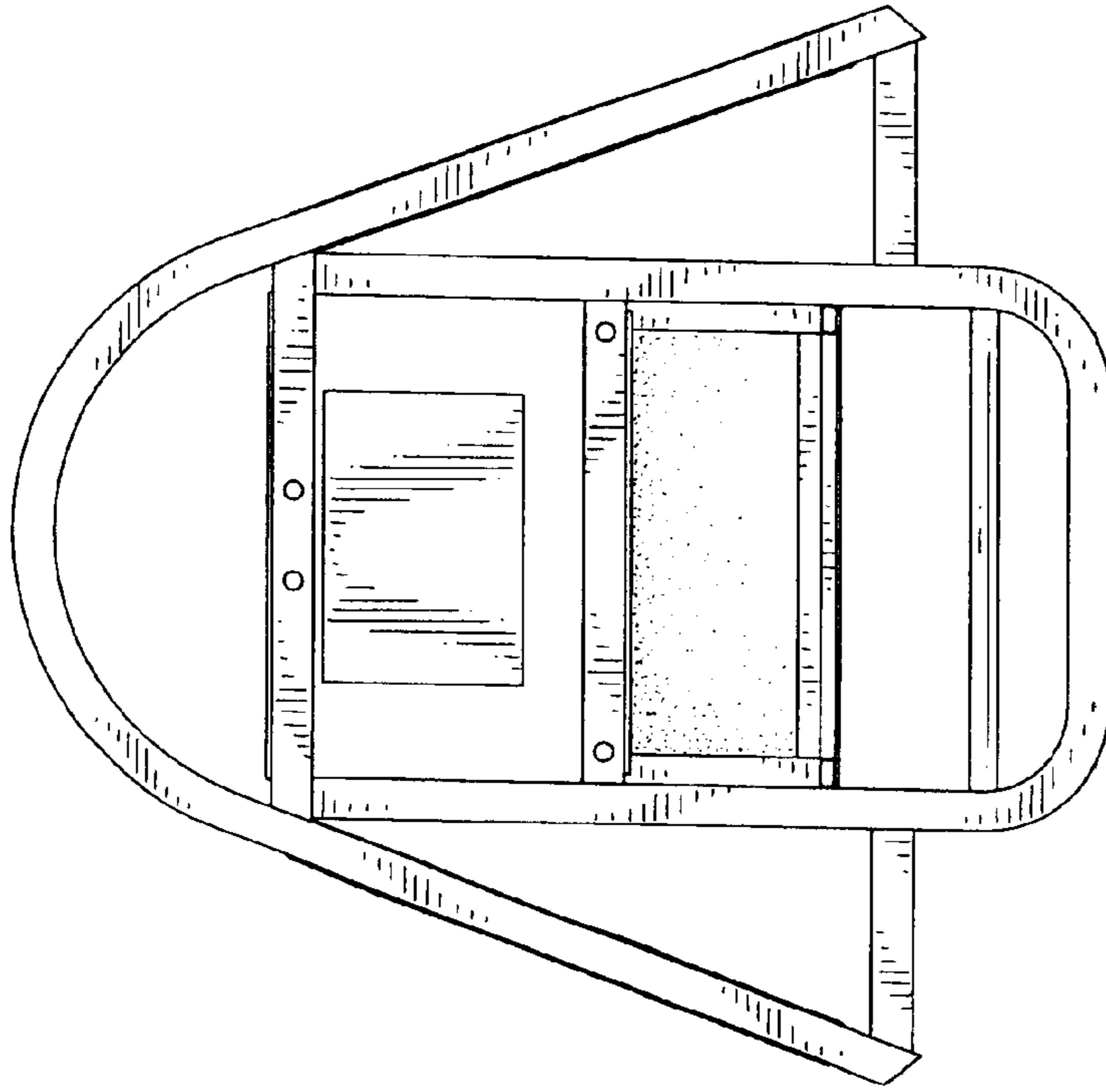


FIG.6

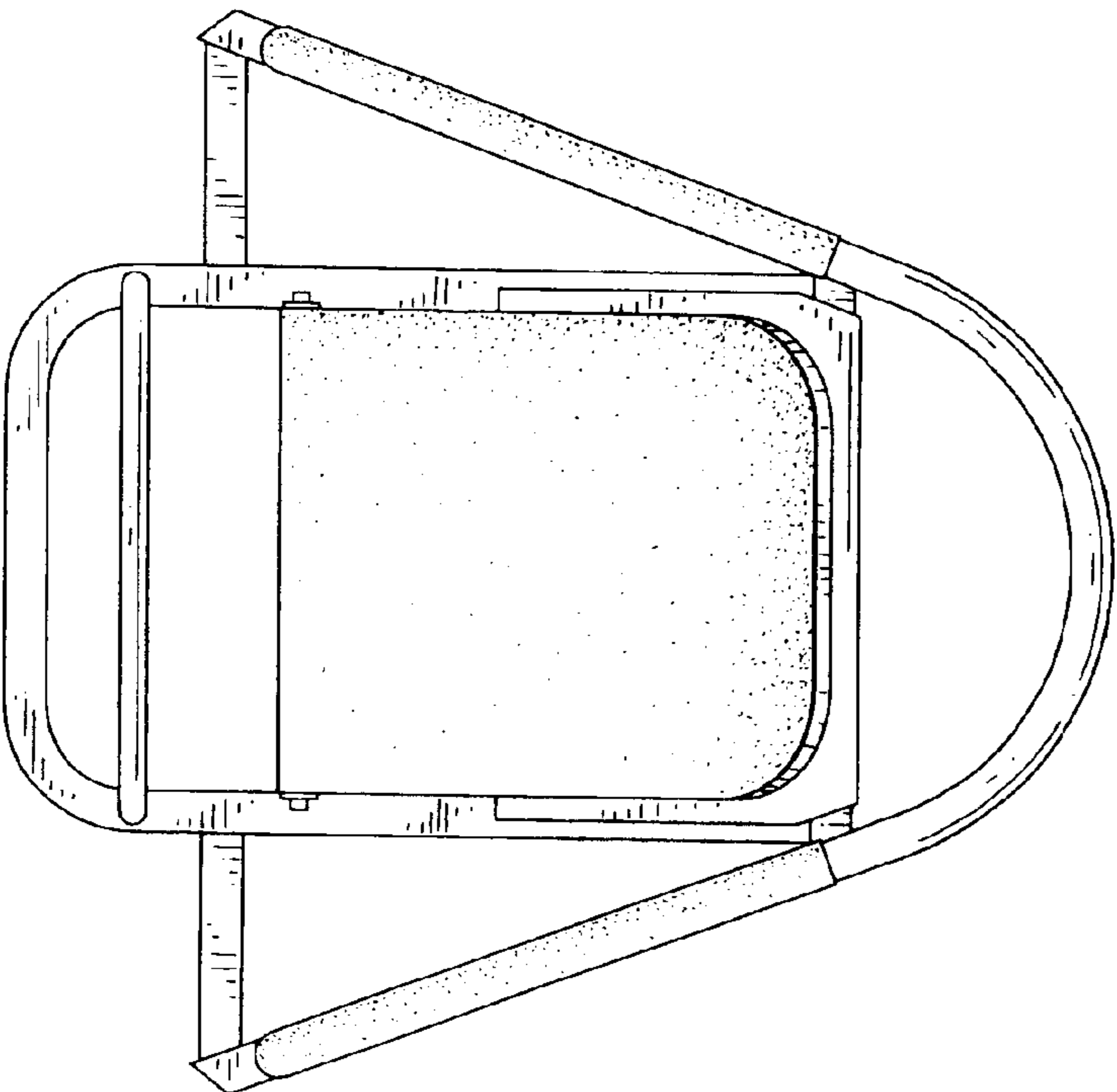


FIG.7

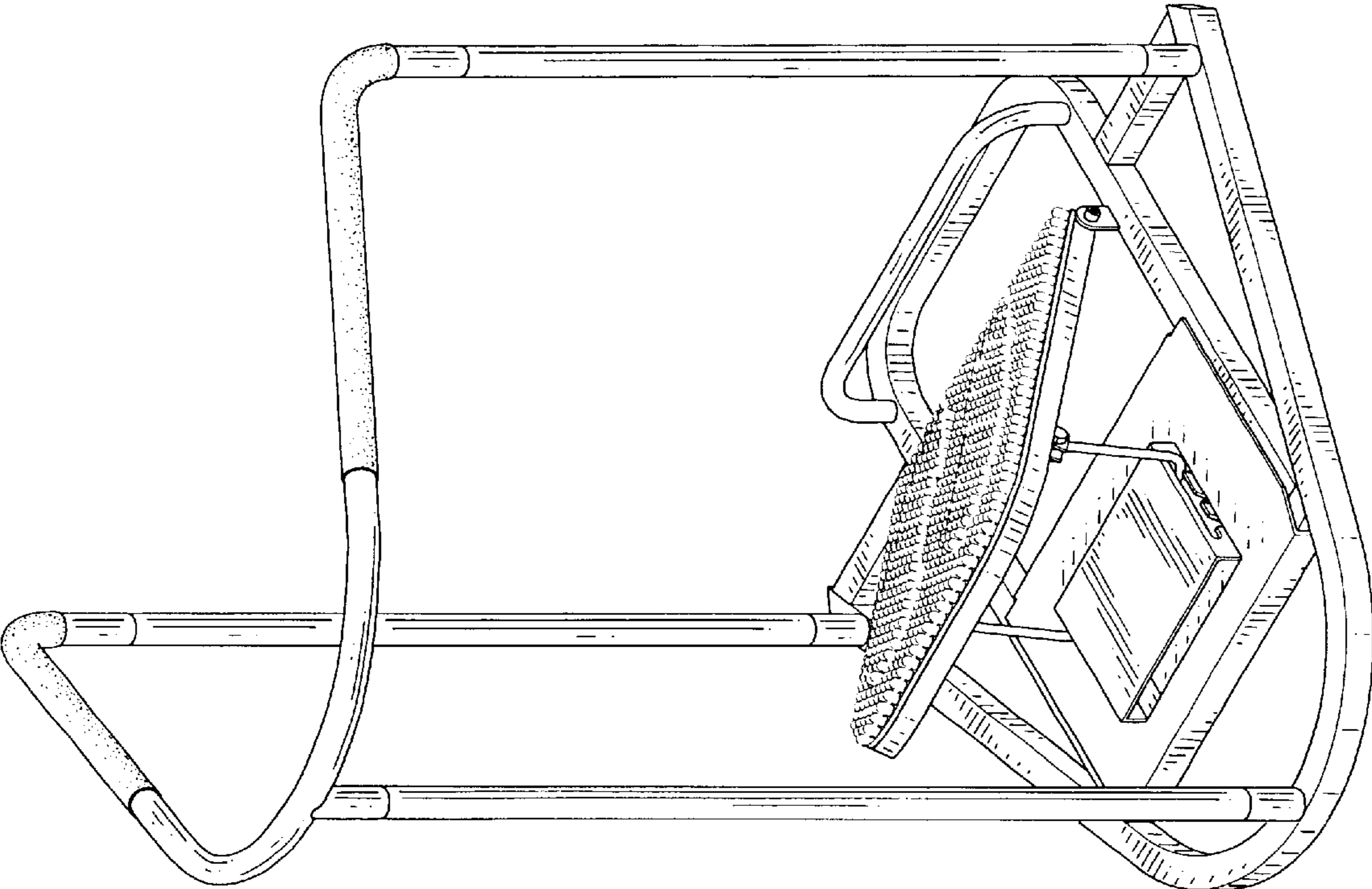


FIG.8