

US00D520080S

(12) **United States Design Patent**
Orr

(10) **Patent No.:** **US D520,080 S**
(45) **Date of Patent:** **** May 2, 2006**

(54) **FIGURE EIGHT LOOP THIN BODY BLOCK ADAPTER**

(76) Inventor: **Jeffrey G. Orr**, 3779 Trinity Cir.,
Corona, CA (US) 92881

(**) Term: **14 Years**

(21) Appl. No.: **29/222,690**

(22) Filed: **Feb. 2, 2005**

(51) **LOC (8) Cl.** **21-01**

(52) **U.S. Cl.** **D21/570**

(58) **Field of Classification Search** D21/569,
D21/570, 572-575; D22/100, 101, 103-105,
D22/108-111; 42/98; D8/17, 18, 21, 33;
124/71-77; 89/1.42

See application file for complete search history.

D421,476 S *	3/2000	Knight et al.	D22/108
6,035,843 A	3/2000	Smith et al.	124/77
D425,598 S *	5/2000	Langner	D22/108
6,065,460 A	5/2000	Lotuaco, III	124/72
D429,791 S *	8/2000	Bullock	D22/111
6,138,656 A	10/2000	Rice et al.	124/73
6,260,821 B1	7/2001	Perry et al.	251/314
6,349,711 B1	2/2002	Perry et al.	124/73
D455,192 S *	4/2002	Bullock	D22/111
6,439,217 B1	8/2002	Shih	124/77
6,532,949 B1	3/2003	McKendrick	124/77
6,550,468 B1	4/2003	Tippmann, Jr.	124/71
6,553,983 B1	4/2003	Li	124/73
6,626,165 B1	9/2003	Bhogal	124/77
6,637,420 B1	10/2003	Moritz	124/73
6,658,982 B1	12/2003	Cherry	89/1.42
6,763,822 B1	7/2004	Styles	124/77
6,802,306 B1	10/2004	Rice	124/74
2003/0178018 A1	9/2003	Cherry	124/76
2004/0011344 A1	1/2004	Rice et al.	124/73

* cited by examiner

Primary Examiner—Holly Baynham

Assistant Examiner—Cynthia M. Chin

(74) *Attorney, Agent, or Firm*—Keisling Pieper & Scott
PLC; David B. Pieper; Trent C. Keisling

(56) **References Cited**

U.S. PATENT DOCUMENTS

D118,863 S *	2/1940	Mossber	D22/108
D139,878 S *	1/1945	French et al.	D22/108
D146,089 S *	12/1946	Roe	D22/108
2,550,887 A	5/1951	Tratsch	124/1
3,695,246 A	10/1972	Filippi et al.	124/11
4,066,000 A	1/1978	Rostocil	89/198
4,347,679 A	9/1982	Grunig et al.	42/84
4,362,145 A	12/1982	Stelcher	124/32
D277,635 S *	2/1985	Sherwood	D8/18
D278,201 S *	4/1985	Koepke	D8/17
4,589,327 A	5/1986	Smith	89/148
4,770,153 A	9/1988	Edelman	124/72
4,899,717 A	2/1990	Rutten et al.	124/67
5,063,905 A	11/1991	Farrell	124/72
5,078,118 A	1/1992	Perrone	124/74
5,149,898 A	9/1992	Chesnut et al.	42/69.01
5,280,778 A	1/1994	Kotsiopoulos	124/73
5,285,593 A *	2/1994	Bammate	42/98
5,462,042 A	10/1995	Grenwell	124/76
5,503,137 A	4/1996	Fusco	124/72
D390,302 S *	2/1998	Bullock	D22/108
5,736,720 A	4/1998	Bell et al.	235/1
5,881,707 A	3/1999	Gardner, Jr.	124/77
6,003,504 A	12/1999	Rice et al.	124/73

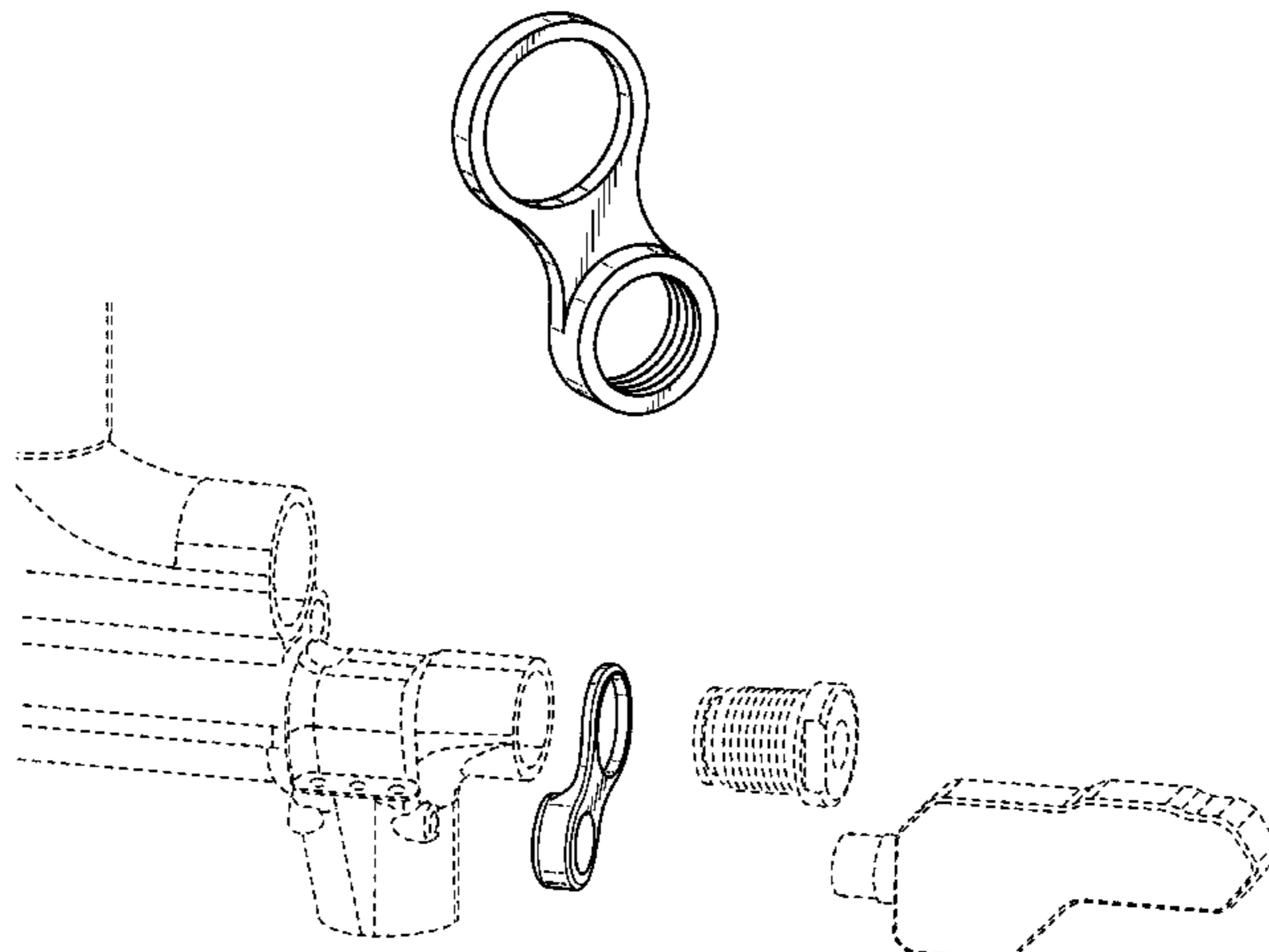
(57) **CLAIM**

The ornamental design for a figure eight loop thin body block adapter, as shown and described.

DESCRIPTION

FIG. 1 is a top elevational view of a figure eight loop thin body block adapter showing my new design;
FIG. 2 is a left elevational view thereof;
FIG. 3 is a front elevational view thereof;
FIG. 4 is a bottom side elevational view thereof;
FIG. 5 is a right elevational view thereof;
FIG. 6 is a back elevational view thereof;
FIG. 7 is a top-left-front isometric elevational view thereof;
and,
FIG. 8 is an exploded environmental view thereof with the environment shown in dashed lines.
The broken lines are for illustrative purposes only and form no part of the claimed design.

1 Claim, 2 Drawing Sheets



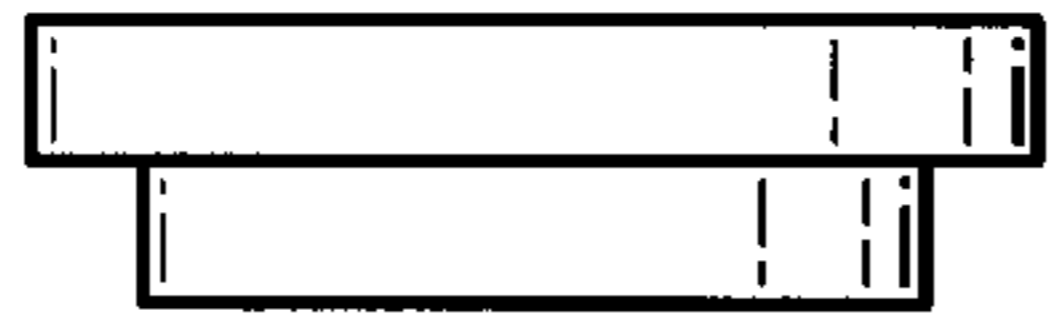


FIG. 1



FIG. 2

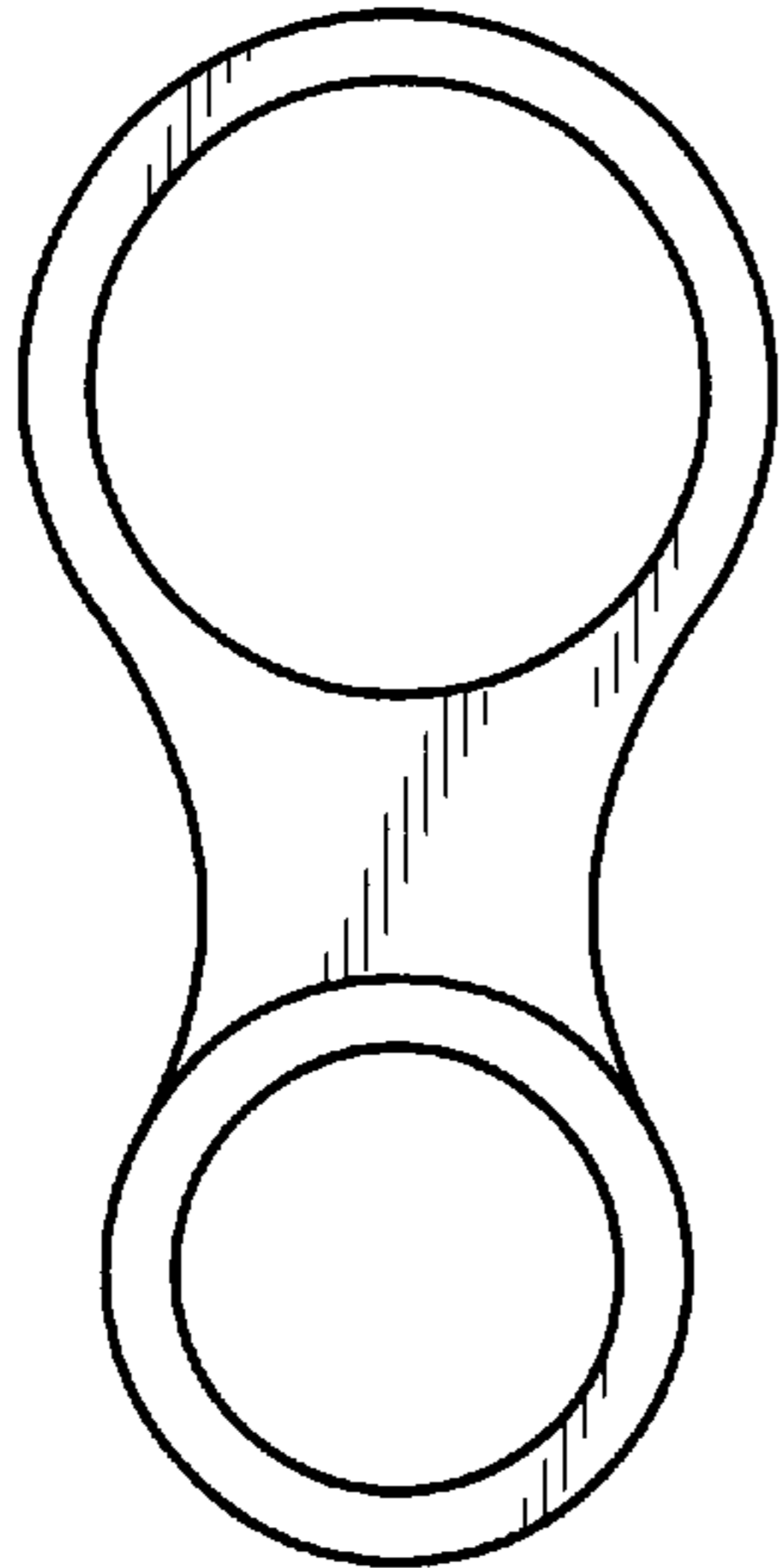


FIG. 3



FIG. 5

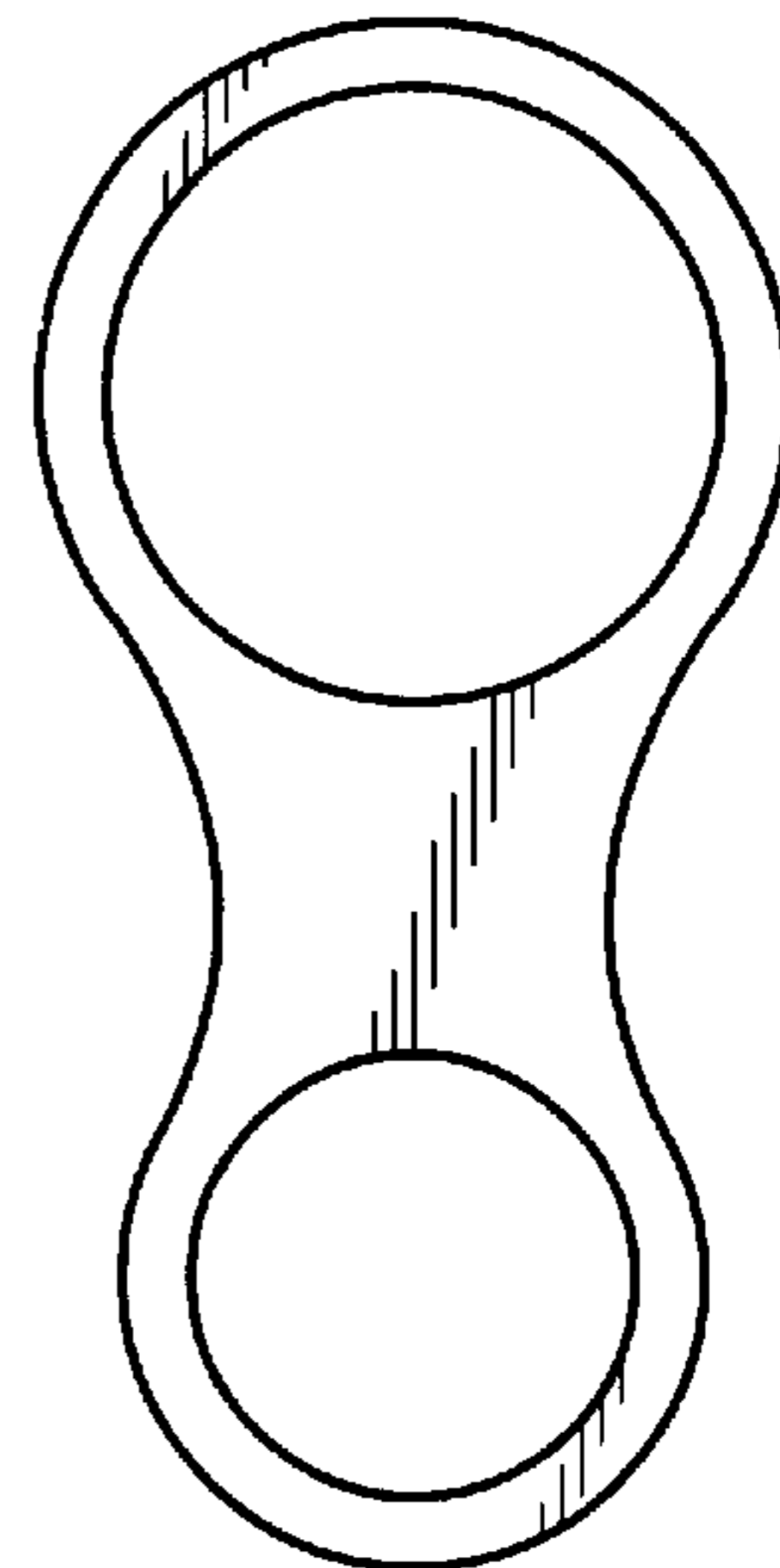


FIG. 6



FIG. 4

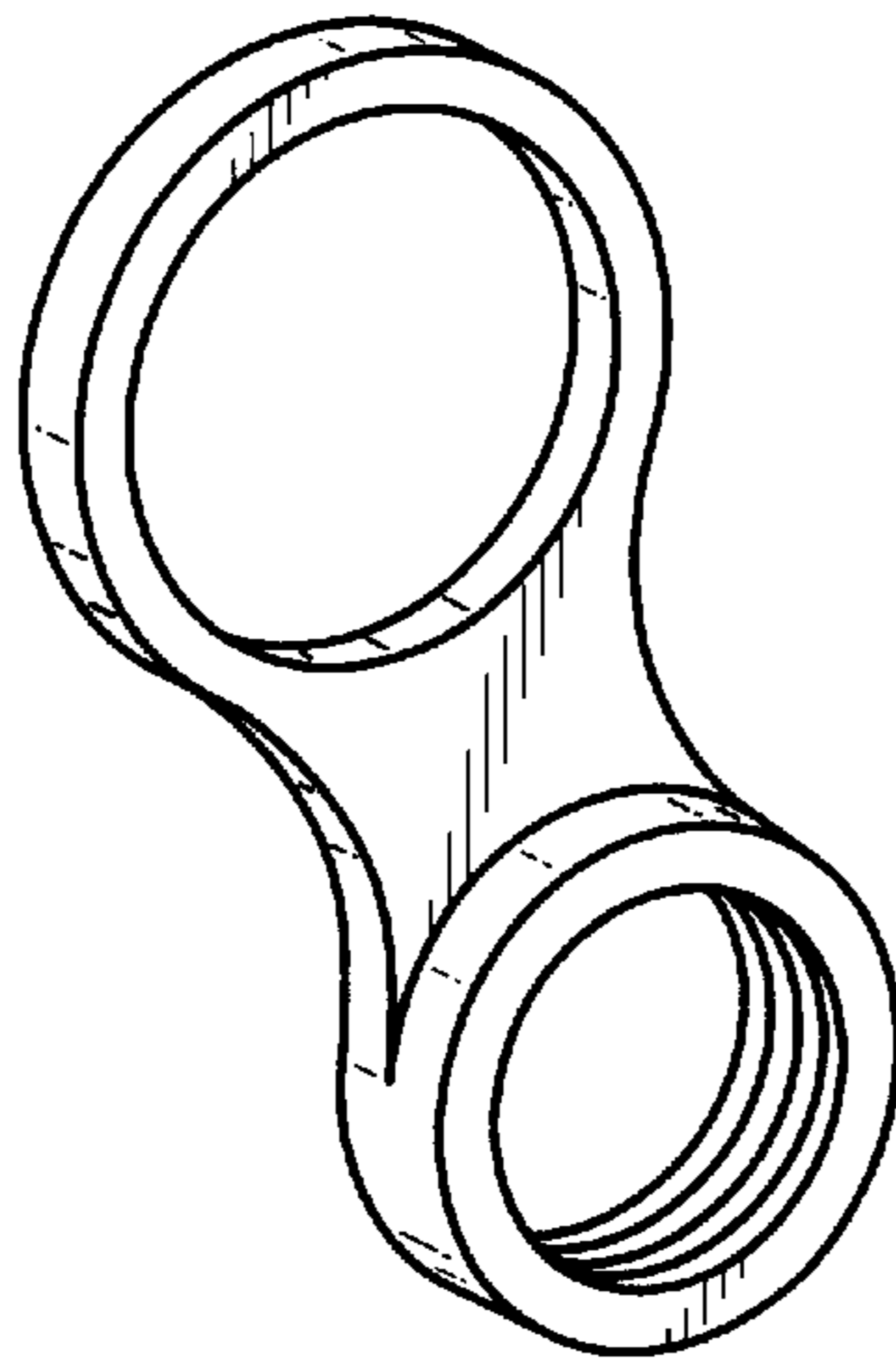


FIG. 7

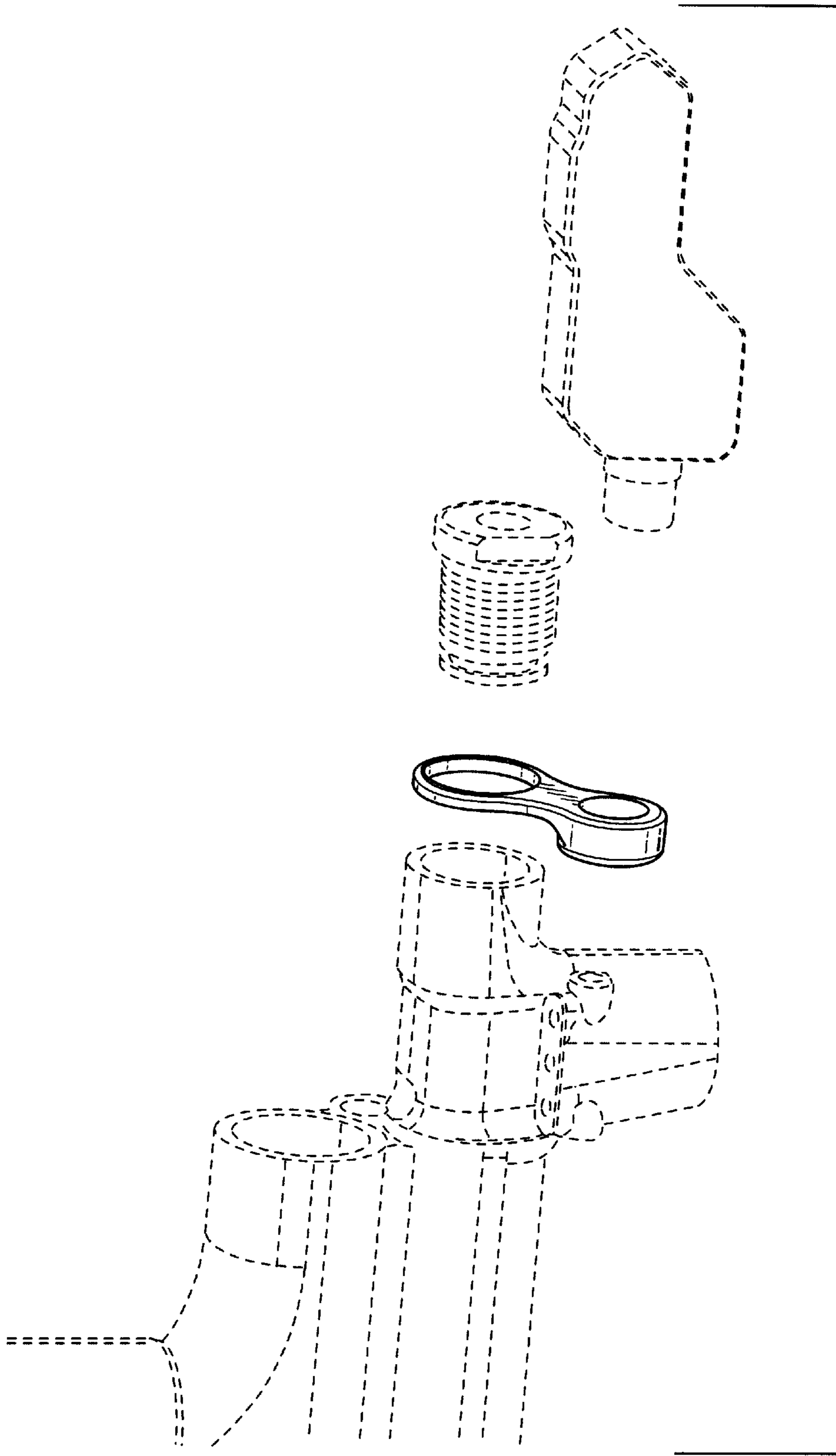


FIG. 8