



US00D520078S

(12) **United States Design Patent**
Pollack

(10) **Patent No.:** **US D520,078 S**

(45) **Date of Patent:** **** May 2, 2006**

- (54) **WEIGHTED BALLOON TETHER**
 - (75) Inventor: **Suzy G. Pollack**, Carmel, CA (US)
 - (73) Assignee: **Creative Balloons, Inc.**, Carmel, CA (US)
 - (**) Term: **14 Years**
 - (21) Appl. No.: **29/205,156**
 - (22) Filed: **May 10, 2004**
 - (51) **LOC (8) Cl.** **21-01**
 - (52) **U.S. Cl.** **D21/453; D21/440; D8/395**
 - (58) **Field of Classification Search** D21/439, D21/440, 453, 454; D2/624, 639, 640; D3/207, D3/208, 211; D6/304, 305, 315, 316, 323, D6/326, 328; D8/394-396; D11/2, 55, 78.1, D11/86, 87, 164, 184, 200, 201, 215, 238, D11/240; D16/339; D19/86, 88, 90, 91, 96, D19/99, 100; D32/61-64; 446/220-226; 248/316.5, 316.7, 500, 505, 510, 910, 915; 40/214, 658, 647, 666; 24/3.1, 3.11, 3.12, 24/3.13, 67.5, 67.7, 499-501, 507-510, 530, 24/565, 566, 567
- See application file for complete search history.

- D264,662 S * 6/1982 Bisk et al. D6/328
- D267,833 S * 2/1983 Anderson D11/202
- 4,605,990 A * 8/1986 Wilder et al. 362/581
- D298,703 S * 11/1988 Arnold D6/328
- 5,052,085 A * 10/1991 Gau 24/501
- D374,170 S * 10/1996 Slaski D8/395
- D401,255 S * 11/1998 Burns D21/453
- 6,422,914 B1 * 7/2002 Nelson et al. 446/220
- 6,582,272 B1 * 6/2003 Nelson et al. 446/220
- D476,686 S * 7/2003 Johnson D19/65

* cited by examiner

Primary Examiner—Catherine Tuttle

(74) *Attorney, Agent, or Firm*—Holland & Knight LLP

(57) **CLAIM**

The ornamental design for a weighted balloon tether, as shown and described.

DESCRIPTION

FIG. 1 is a perspective view of the weighted balloon tether showing my new design; the portions shown in broken lines are for illustrative purposes only; and form no part of the claimed design;

FIG. 2 is a top view thereof;

FIG. 3 is a side view thereof;

FIG. 4 is a second side view thereof as seen from the opposite side of FIG. 3;

FIG. 5 is a front end view thereof; and,

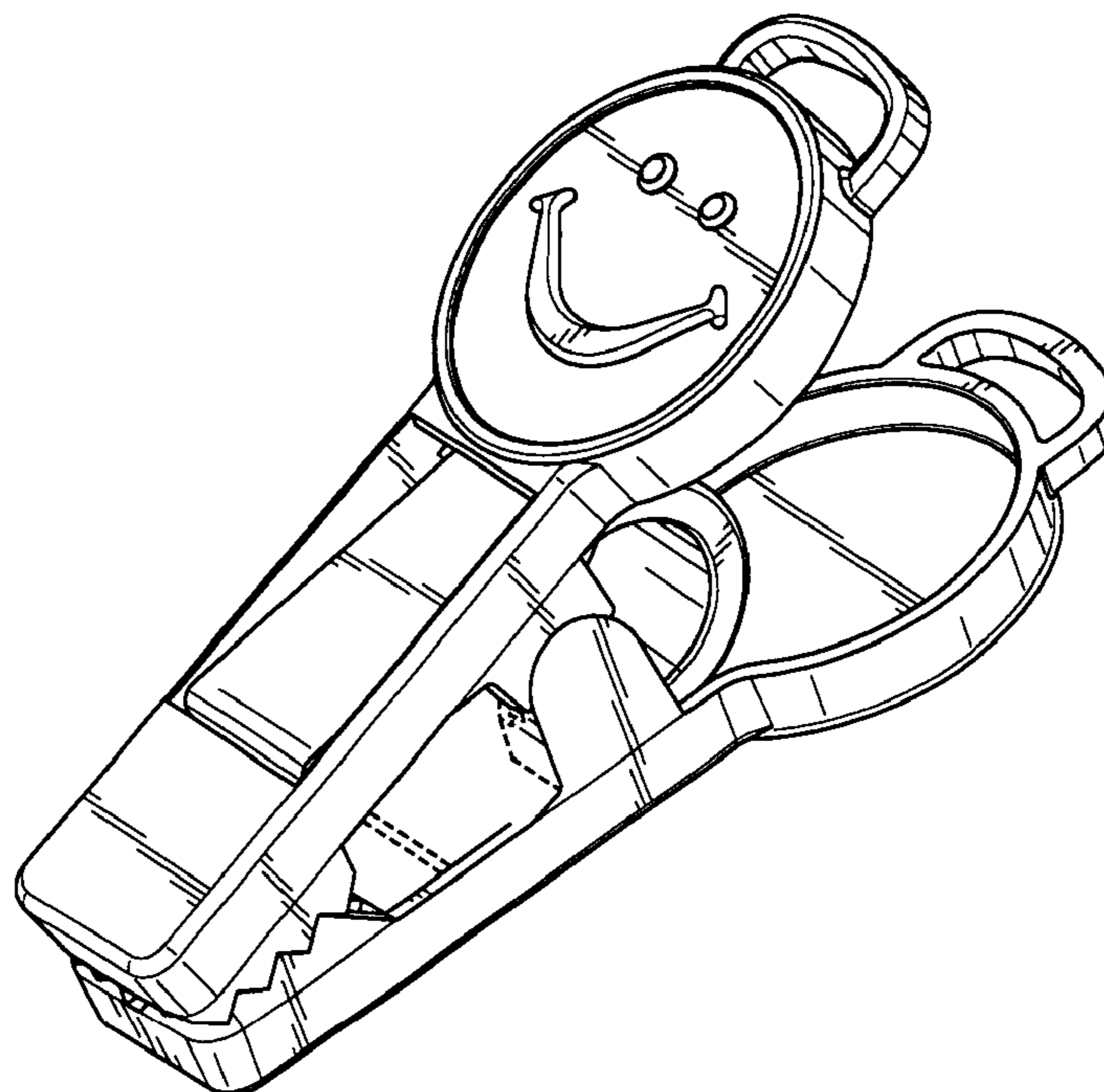
FIG. 6 is a rear end view thereof.

(56) **References Cited**

U.S. PATENT DOCUMENTS

- 288,005 A * 11/1883 Buchanan 24/510
- D212,444 S * 10/1968 Coon D8/72

1 Claim, 2 Drawing Sheets



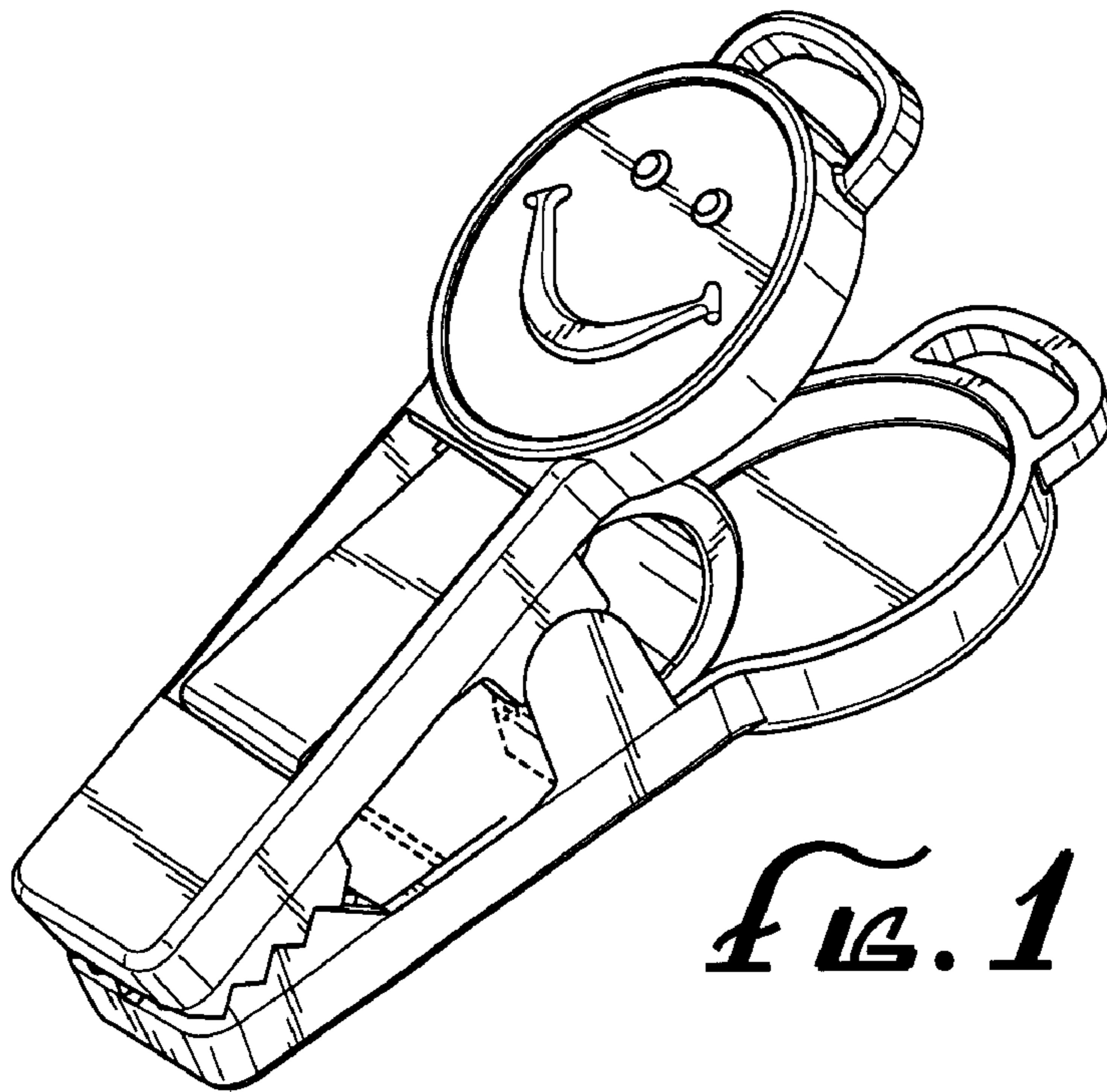


FIG. 1

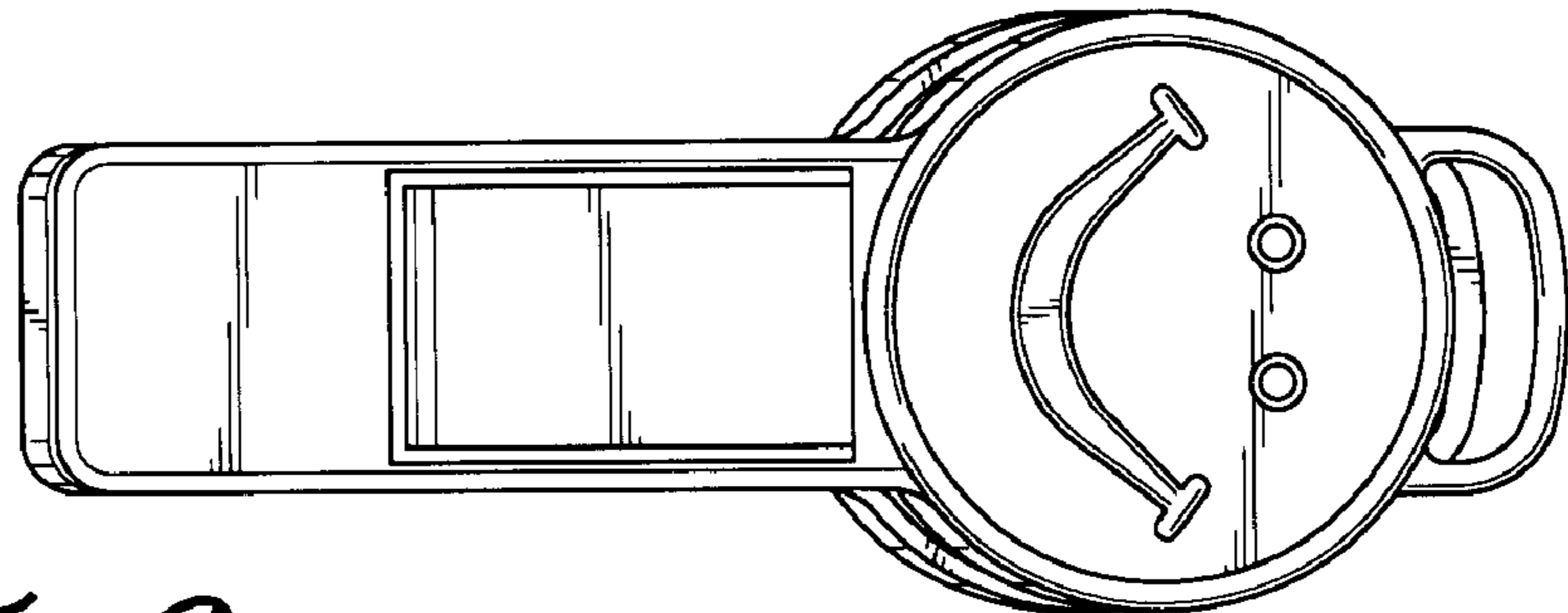


FIG. 2

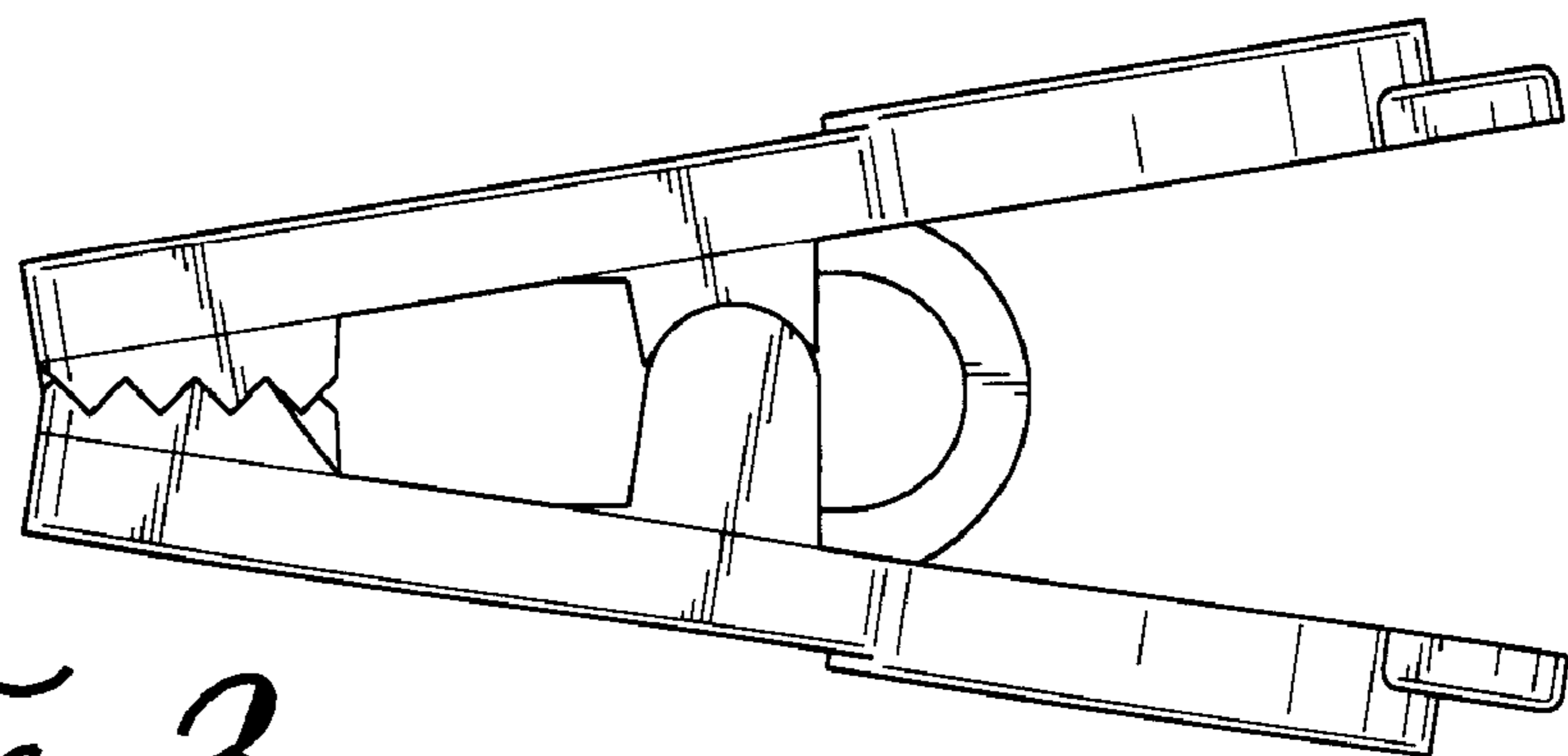


FIG. 3

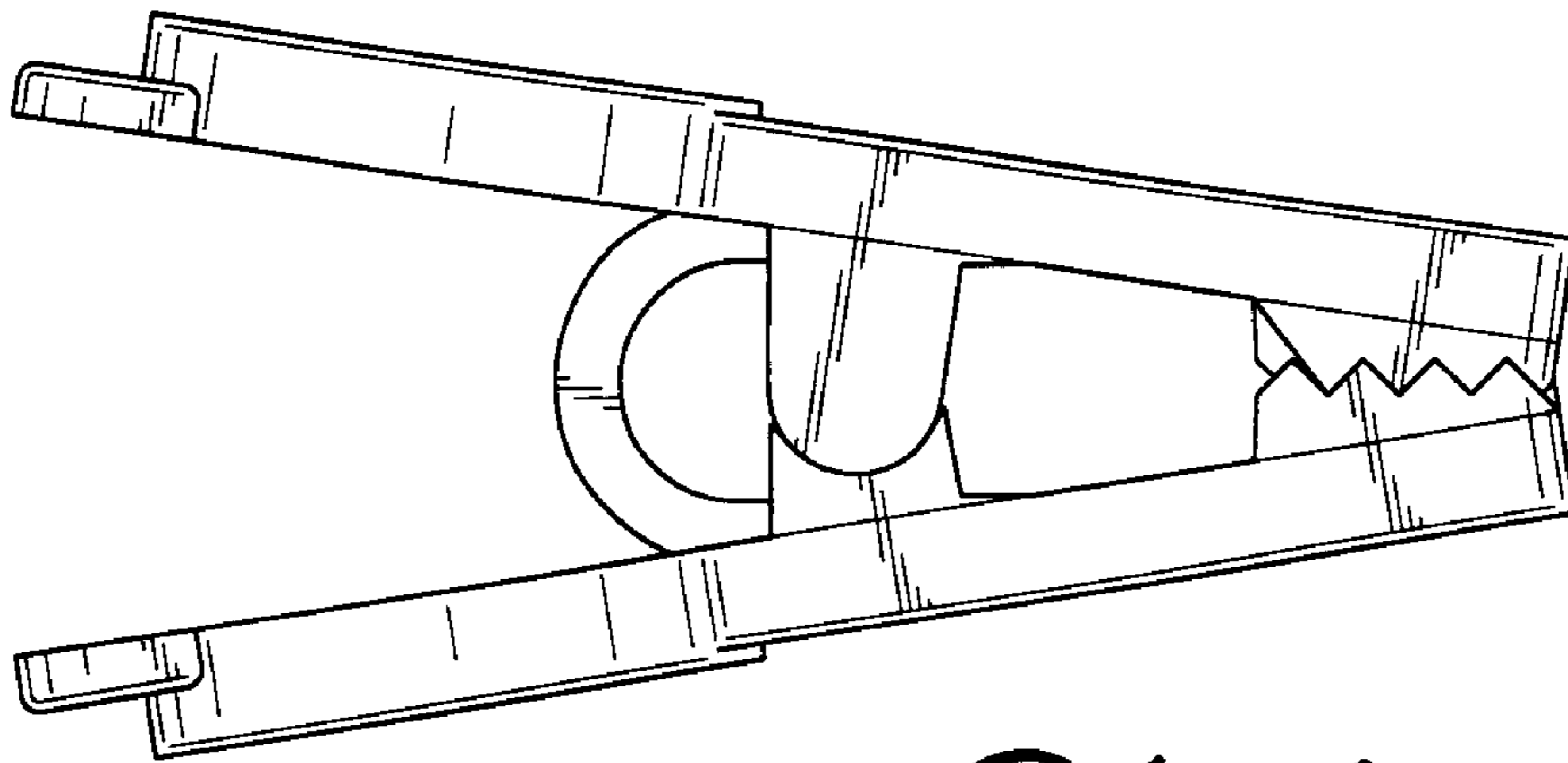


FIG. 4

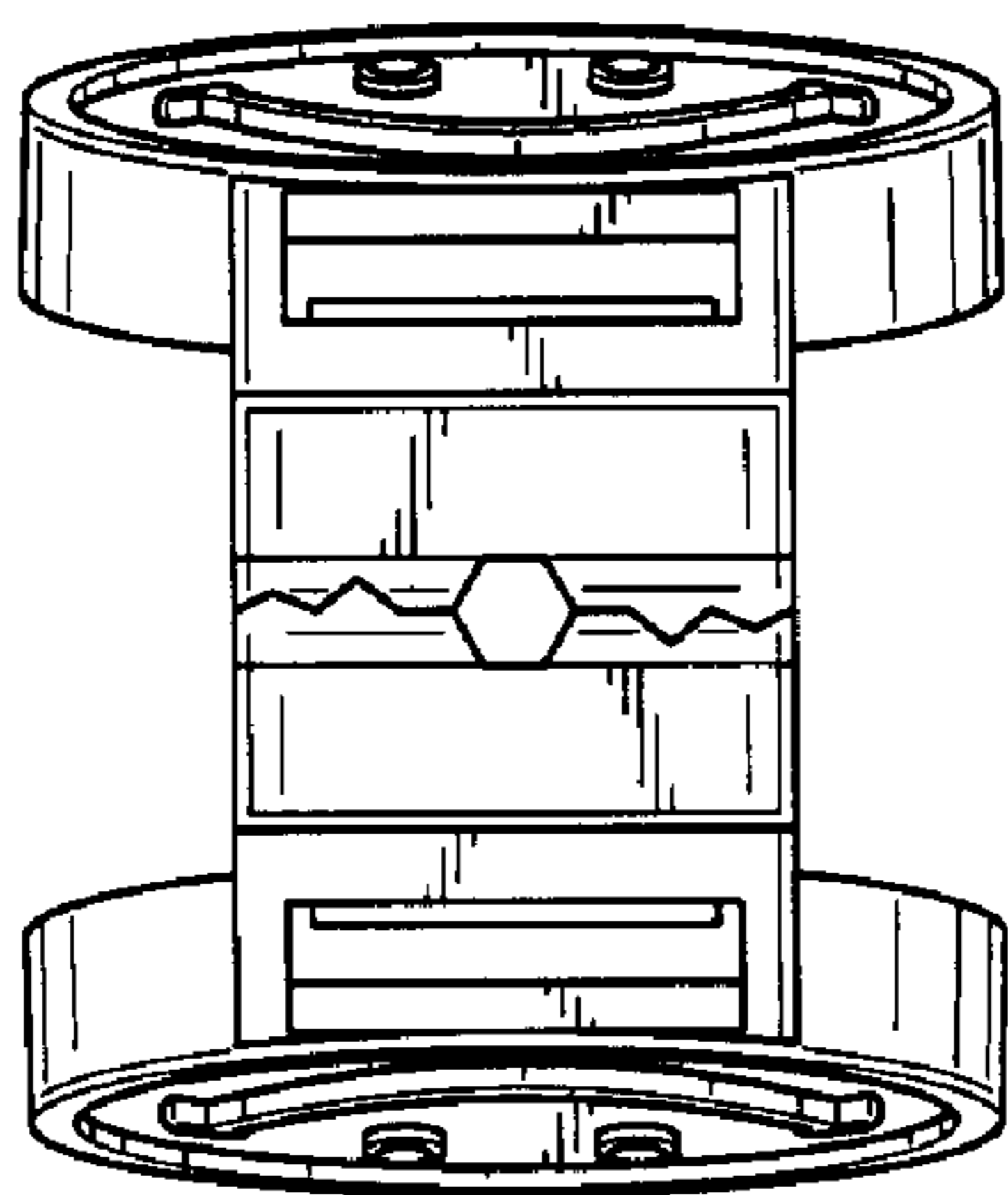


FIG. 5

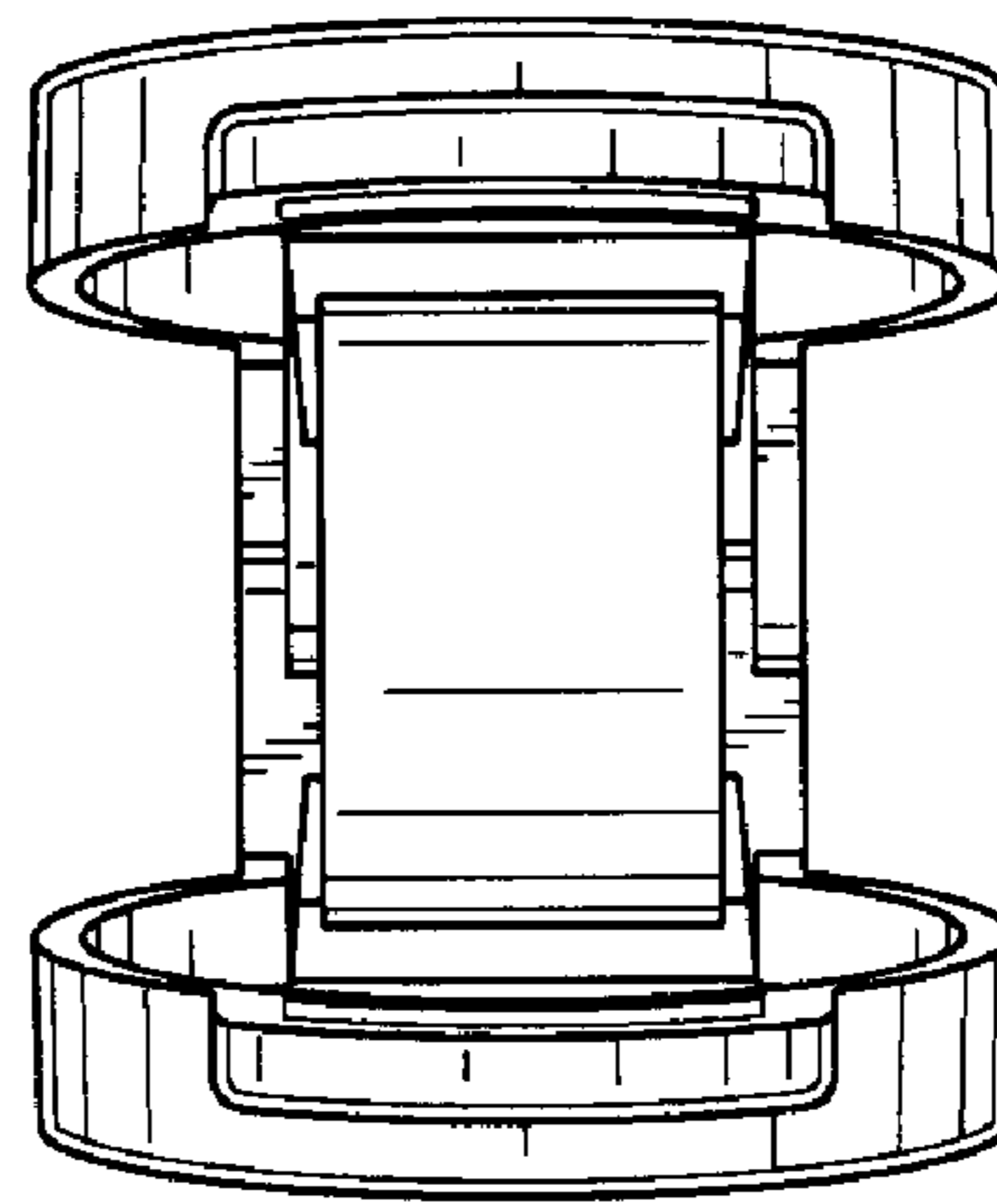


FIG. 6