



US00D520077S

(12) **United States Design Patent**
Voden

(10) **Patent No.:** **US D520,077 S**

(45) **Date of Patent:** **** May 2, 2006**

(54) **GAME TABLE**

(76) **Inventor:** **Justin L. Voden**, W244 S6945 Maple Hill Dr., Waukesha, WI (US) 53189

(**) **Term:** **14 Years**

(21) **Appl. No.:** **29/214,064**

(22) **Filed:** **Sep. 24, 2004**

(51) **LOC (8) Cl.** **21-01**

(52) **U.S. Cl.** **D21/397; D6/429**

(58) **Field of Classification Search** D21/334-369, D21/371-375, 385, 396-397, 783; D6/429; 273/236-285, 292, 148 R, 309; 108/36, 127, 108/129

See application file for complete search history.

(56) **References Cited**

U.S. PATENT DOCUMENTS

D196,299	S	*	9/1963	Tedder	D6/429
3,964,403	A		6/1976	Schankman		
4,041,880	A		8/1977	Schankman		
4,579,342	A		4/1986	Mortensen		
4,927,140	A		5/1990	Pappas		
5,078,404	A		1/1992	Barillaro et al.		
5,362,063	A		11/1994	Cummings		
5,417,433	A	*	5/1995	Phillips	273/309
5,509,361	A	*	4/1996	Chen	108/129
D383,515	S	*	9/1997	Wiebe et al.	D21/783
5,735,524	A	*	4/1998	Wisted	273/274
D400,950	S	*	11/1998	Nally et al.	D21/397
5,974,979	A	*	11/1999	Grady et al.	108/36

6,041,722	A		3/2000	Baker		
6,431,086	B1	*	8/2002	Lloyd	108/36
6,616,141	B1		9/2003	Diamant		
6,634,646	B1		10/2003	Wolpert et al.		

* cited by examiner

Primary Examiner—Sandra L. Morris

(74) *Attorney, Agent, or Firm*—Ziolkowski Patent Solutions Group, SC

(57) **CLAIM**

The ornamental design of a game table, as shown and described.

DESCRIPTION

FIG. 1 is a perspective view of a game table in accordance with the present invention.

FIG. 2 is a top plan view of the game table of FIG. 1.

FIG. 3 is a side elevational view of the game table of FIG. 1.

FIG. 4 is an end elevational view of the game table of FIG. 1.

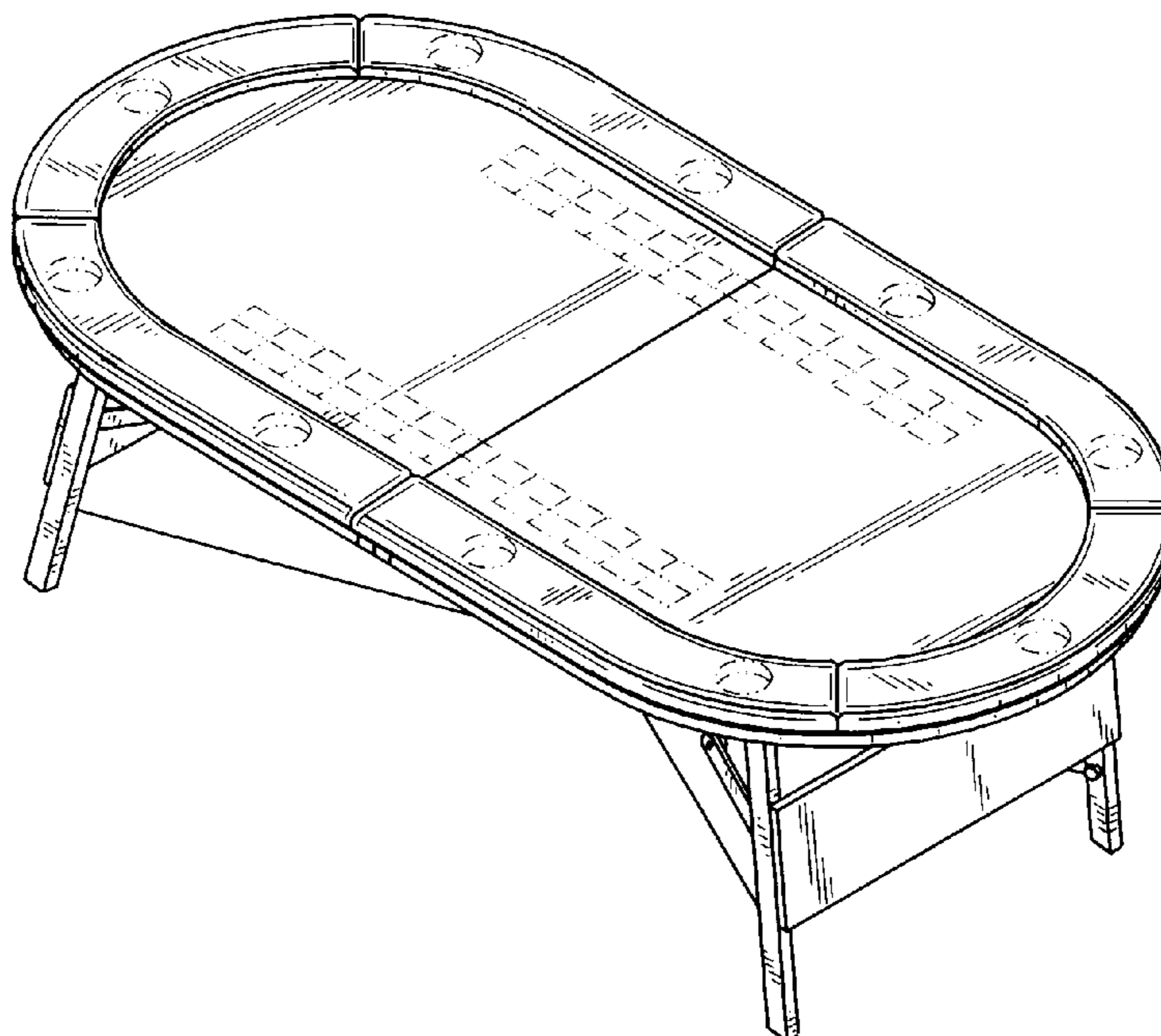
FIG. 5 is a bottom plan view of the game table of FIG. 1 with legs in an extended position.

FIG. 6 is a perspective view of the game table of FIG. 1 in a folded position; and,

FIG. 7 is a bottom plan view of the game table of FIG. 1 with legs in a folded position.

The broken lines shown in all figures are for illustrative purposes only and form no part of the claimed design.

1 Claim, 4 Drawing Sheets



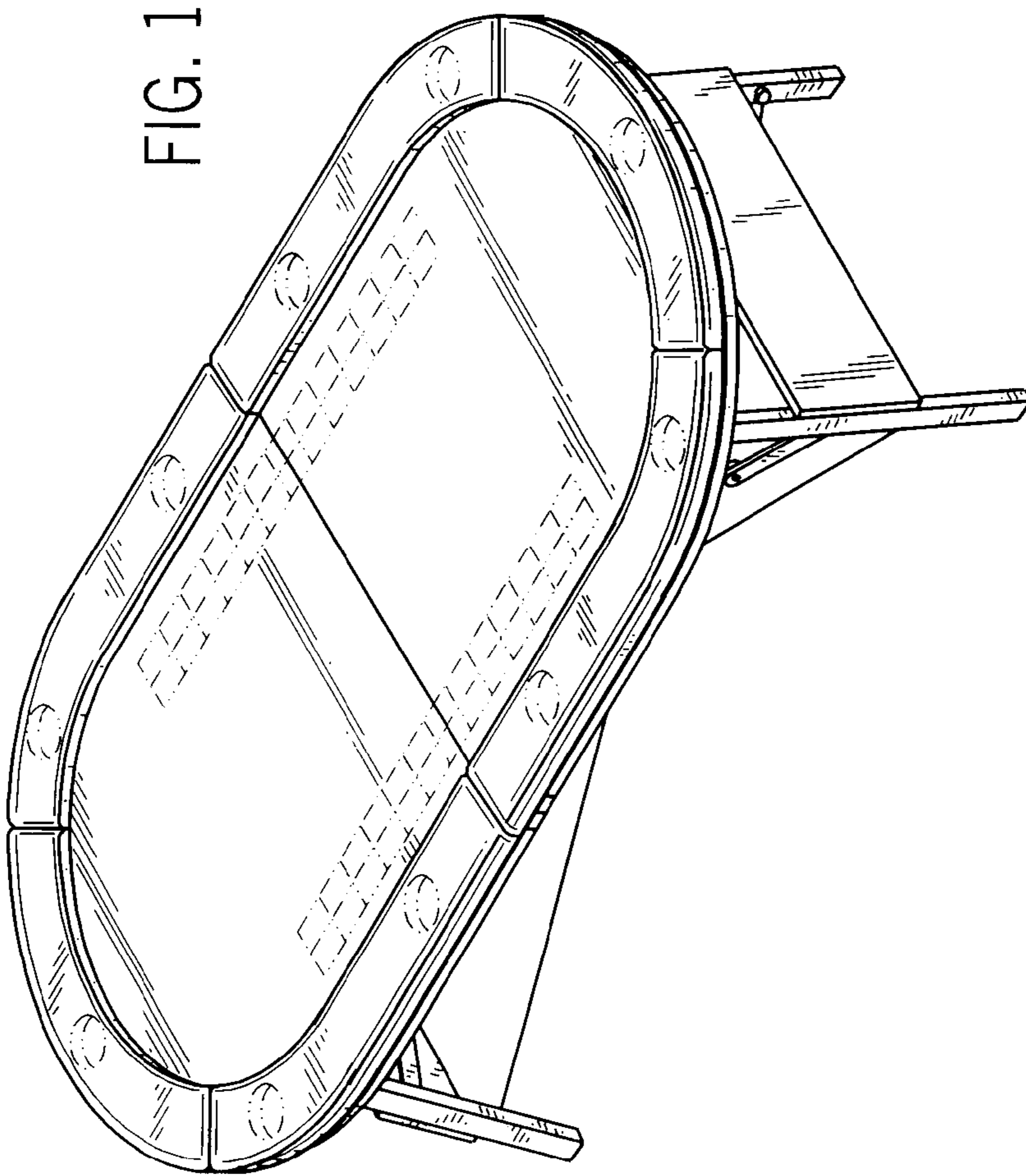


FIG. 1

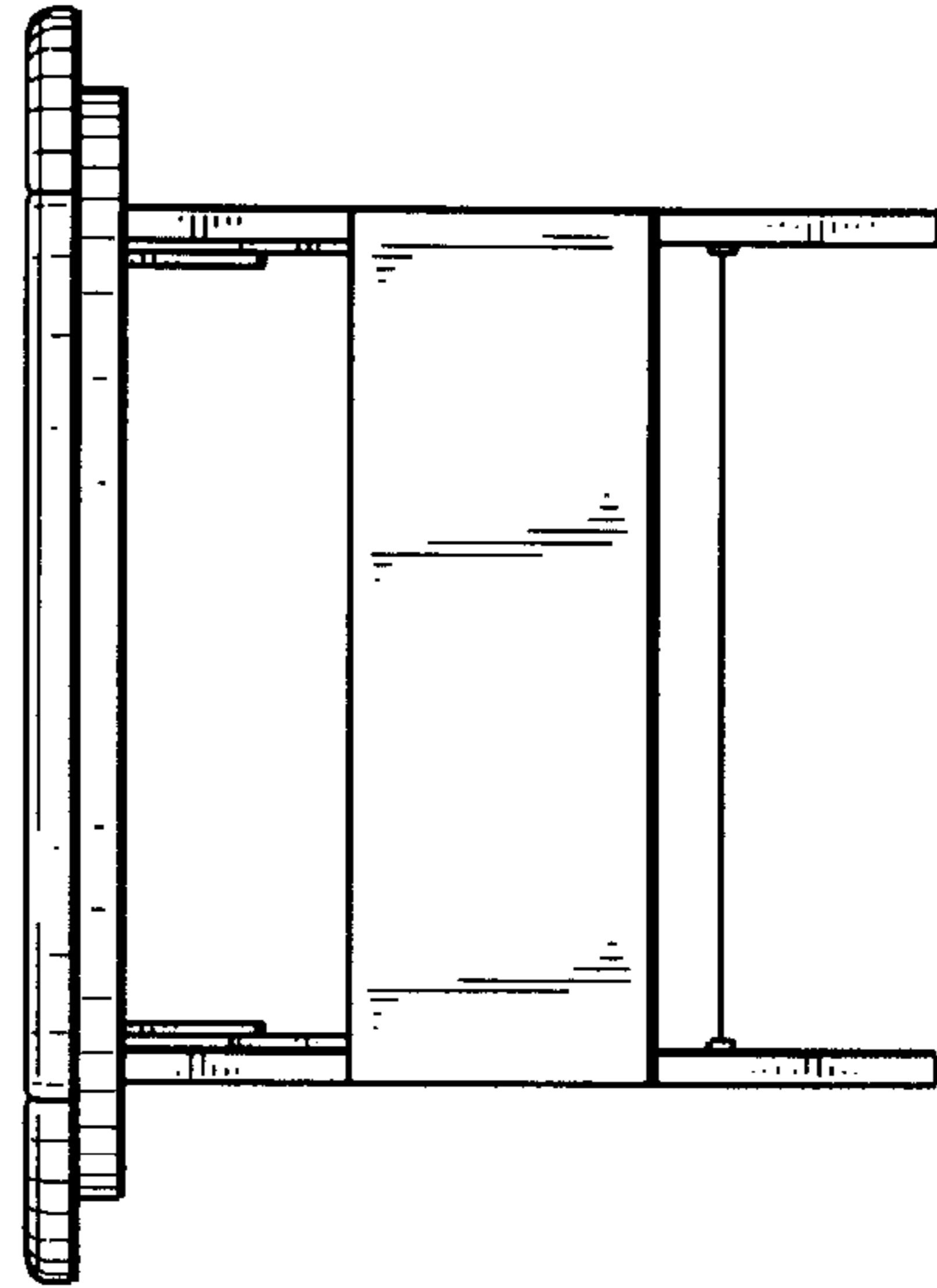


FIG. 4

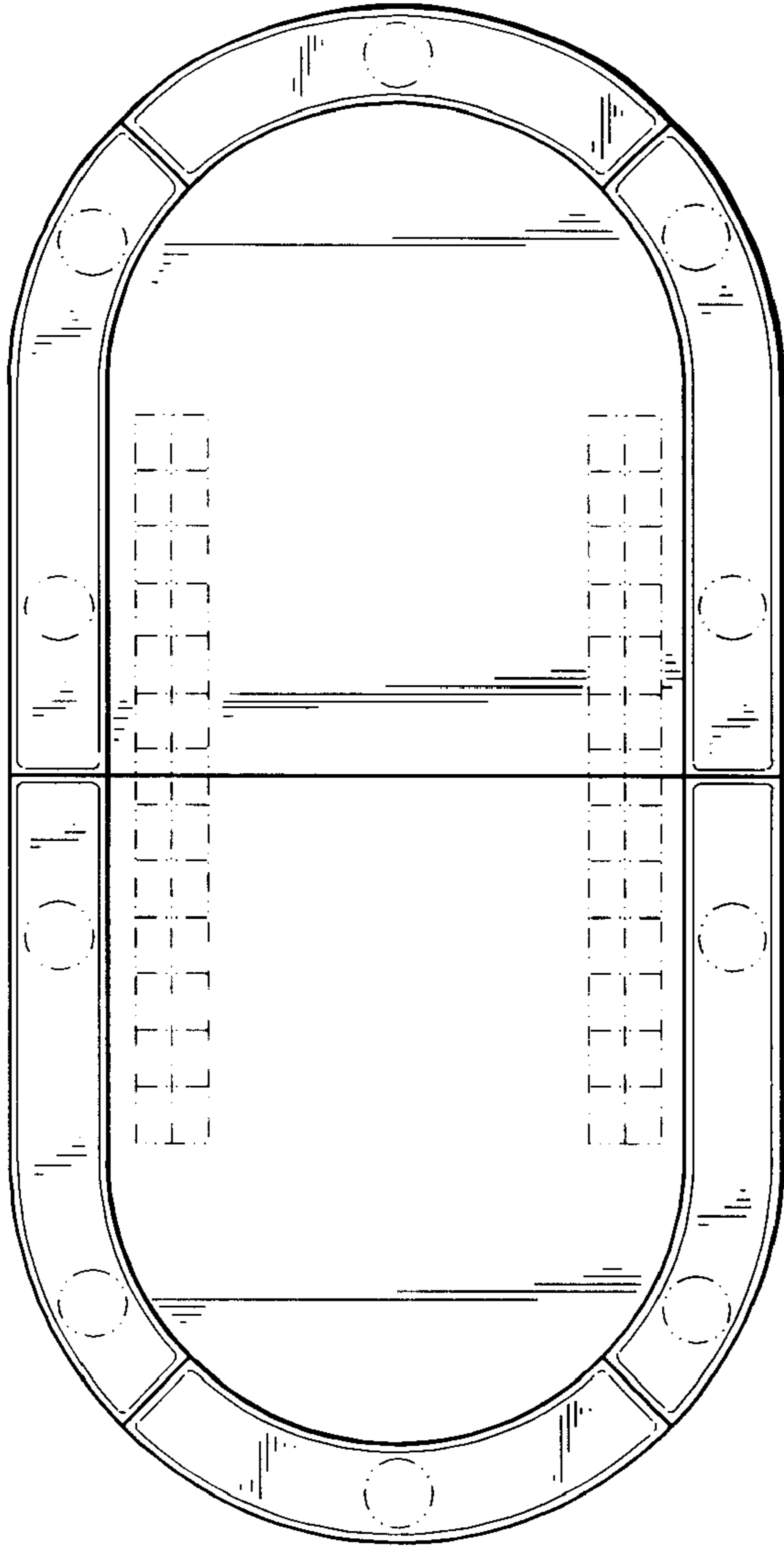


FIG. 2

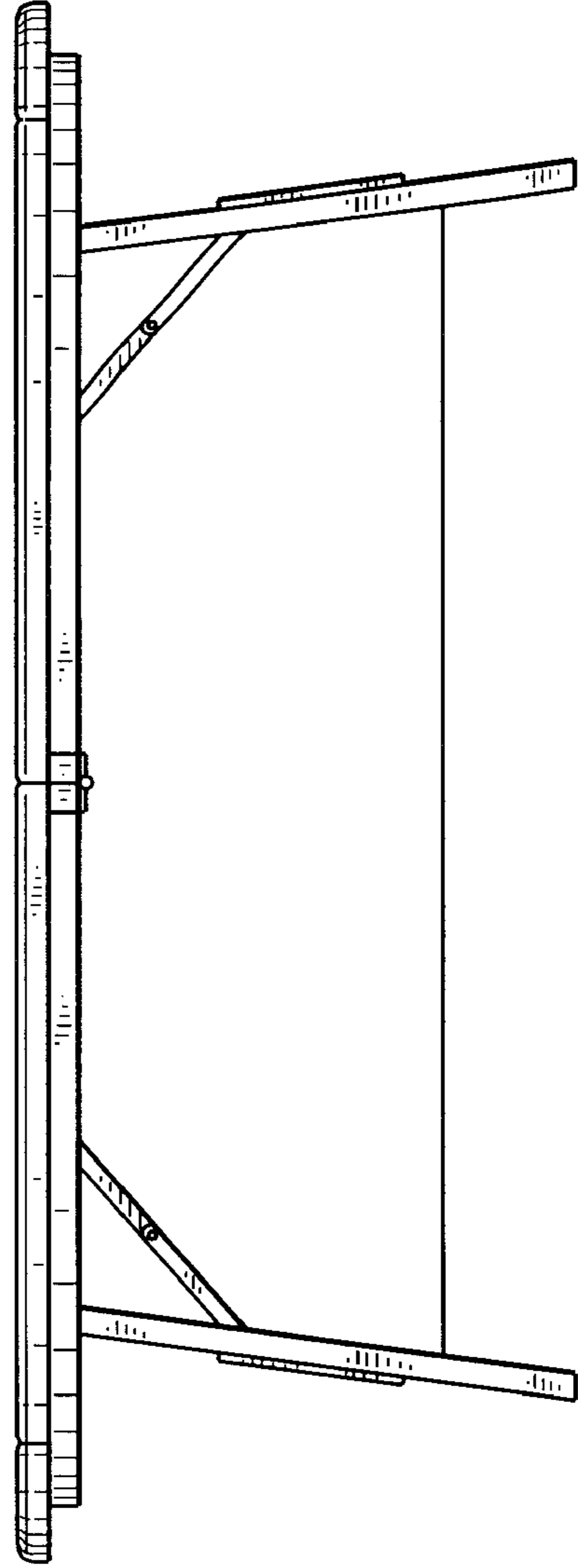


FIG. 3

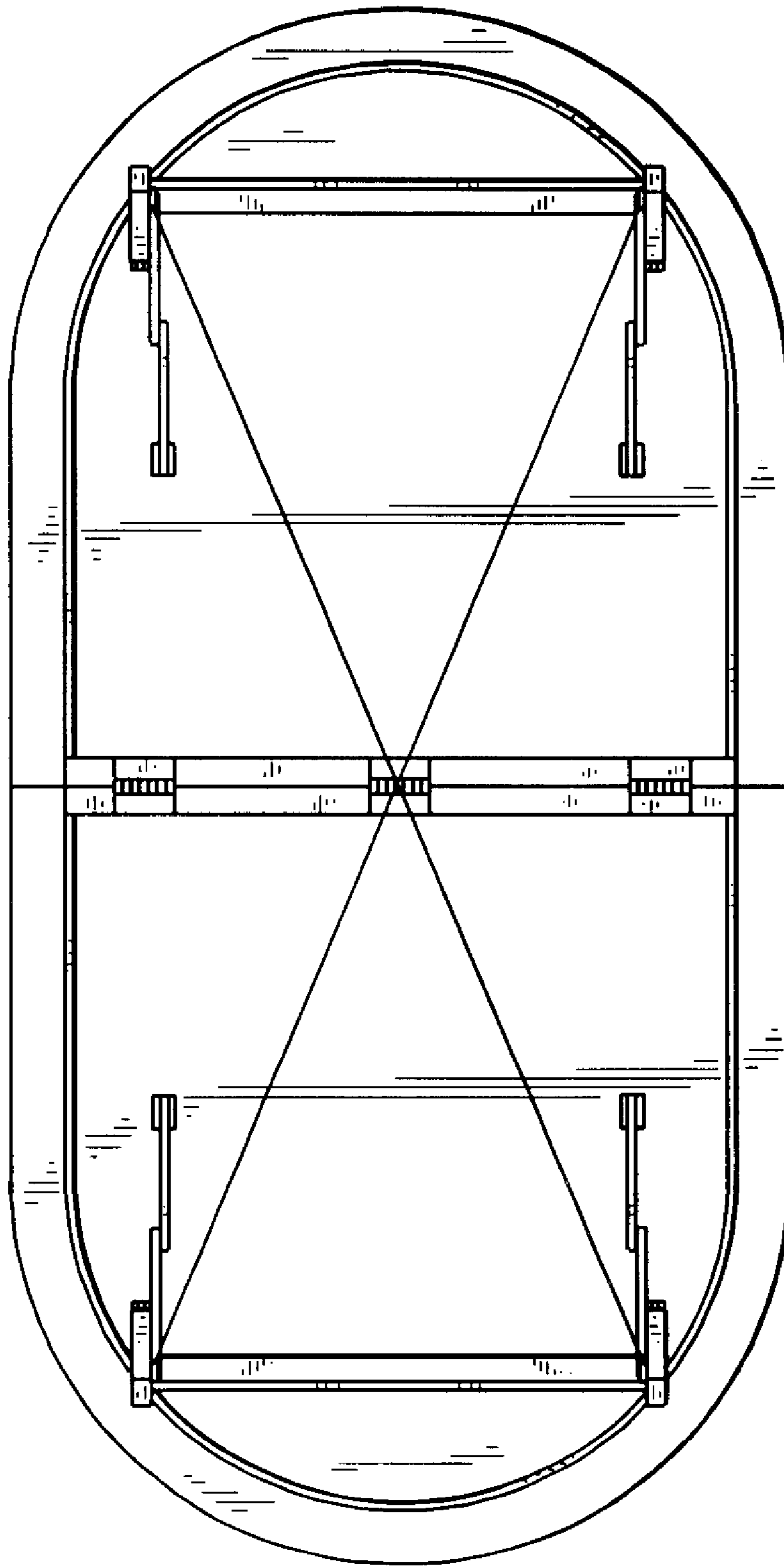


FIG. 5

FIG. 6

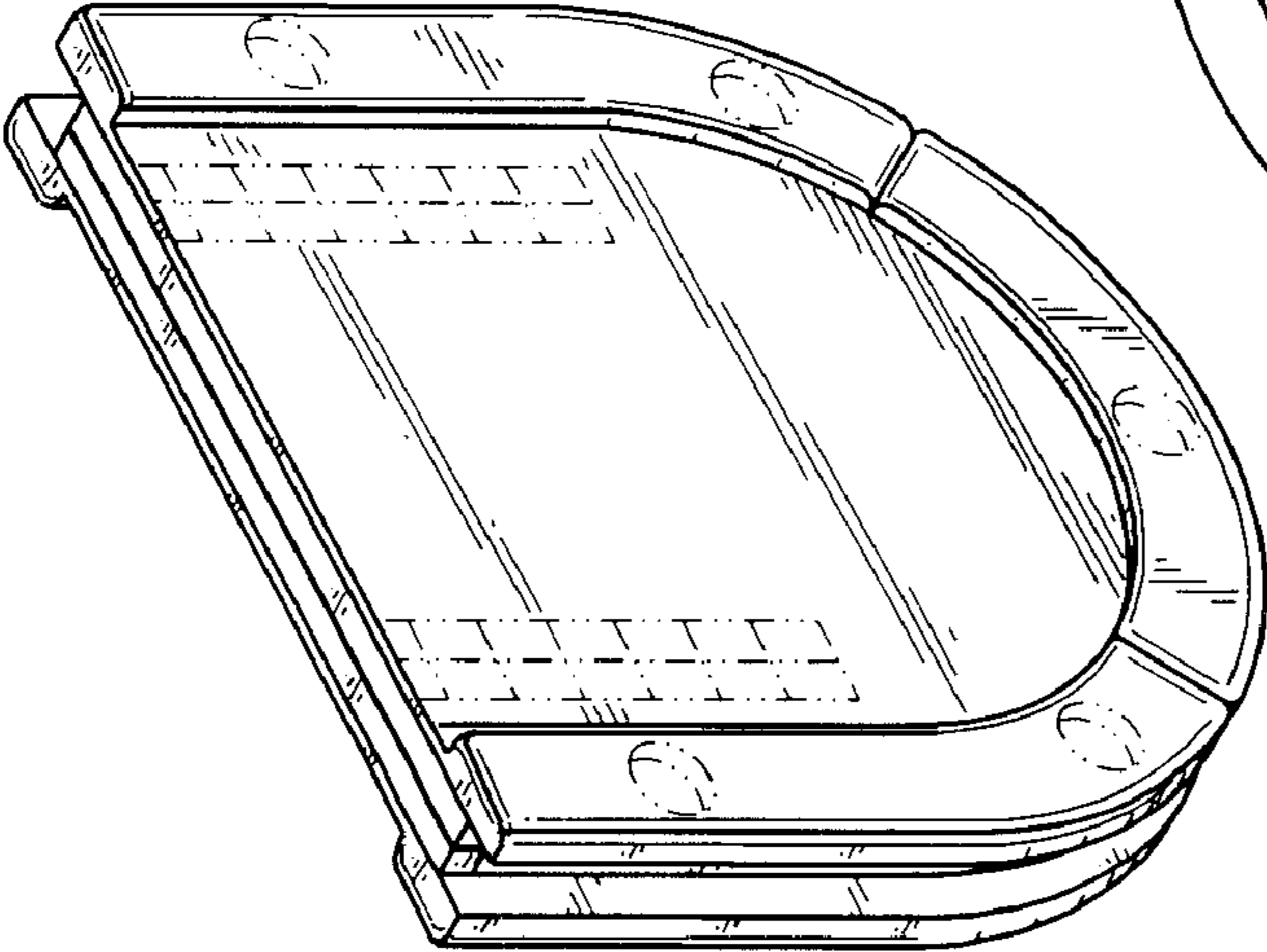


FIG. 7

