



US00D520073S

(12) **United States Design Patent**
Stratton et al.

(10) **Patent No.: US D520,073 S**

(45) **Date of Patent: ** May 2, 2006**

(54) **SLOT MACHINE FEATURING DOGS**

(76) Inventors: **Mary Stratton**, P.O. Box 334, Toronto,
OH (US) 43964; **Dohrman Stratton**,
P.O. Box 334, Toronto, OH (US) 43964

(**) Term: **14 Years**

(21) Appl. No.: **29/215,172**

(22) Filed: **Oct. 15, 2004**

(51) **LOC (8) Cl.** **21-03**

(52) **U.S. Cl.** **D21/370**

(58) **Field of Classification Search** D1/106;
D23/234; D30/160; D21/325, 329, 369-371,
D21/374, 385, 483; 273/138.1; 463/16-17,
463/20, 25, 42, 46-47

See application file for complete search history.

(56) **References Cited**

U.S. PATENT DOCUMENTS

3,975,963 A 8/1976 Nicolaus
4,294,451 A 10/1981 Wollner
5,010,995 A 4/1991 Okada
D328,620 S * 8/1992 Maple D21/483

D347,213 S * 5/1994 Bianco D21/370
D380,687 S * 7/1997 Hsu D21/370
D383,782 S * 9/1997 Decker D21/493
D398,658 S 9/1998 Matsuba
5,927,714 A 7/1999 Kaplan
D480,243 S * 10/2003 Edwards et al. D23/234

* cited by examiner

Primary Examiner—Sandra L. Morris

(74) *Attorney, Agent, or Firm*—Donald R. Schoonover

(57) **CLAIM**

We claim the ornamental design for a slot machine featuring dogs, as shown and described.

DESCRIPTION

FIG. 1 is a perspective view of a slot machine featuring dogs showing our new design;

FIG. 2 is a top plan view thereof;

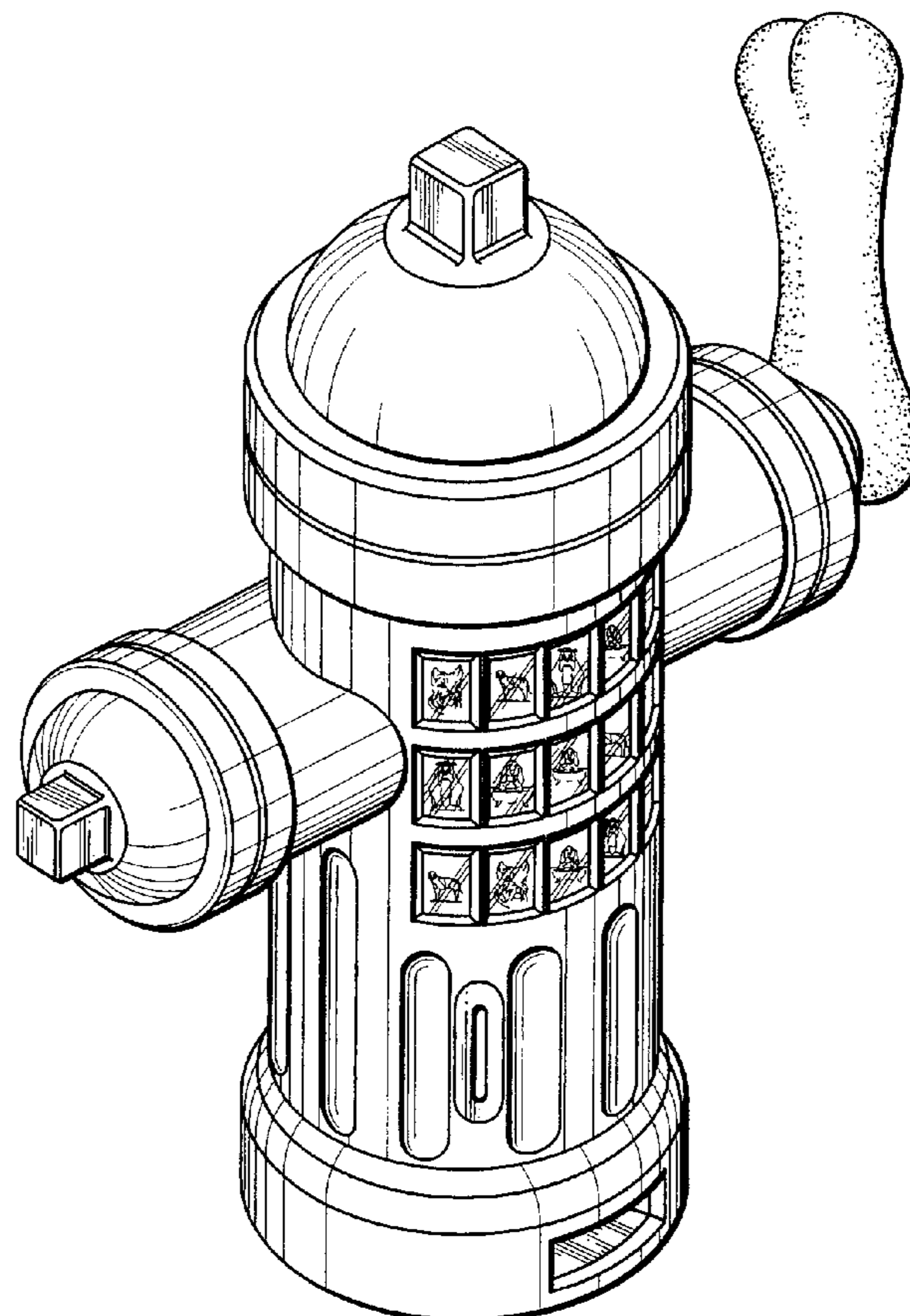
FIG. 3 is a front elevational view thereof;

FIG. 4 is a right side elevational view thereof;

FIG. 5 is a left side elevational view thereof; and,

FIG. 6 is a rear elevational view thereof.

1 Claim, 4 Drawing Sheets



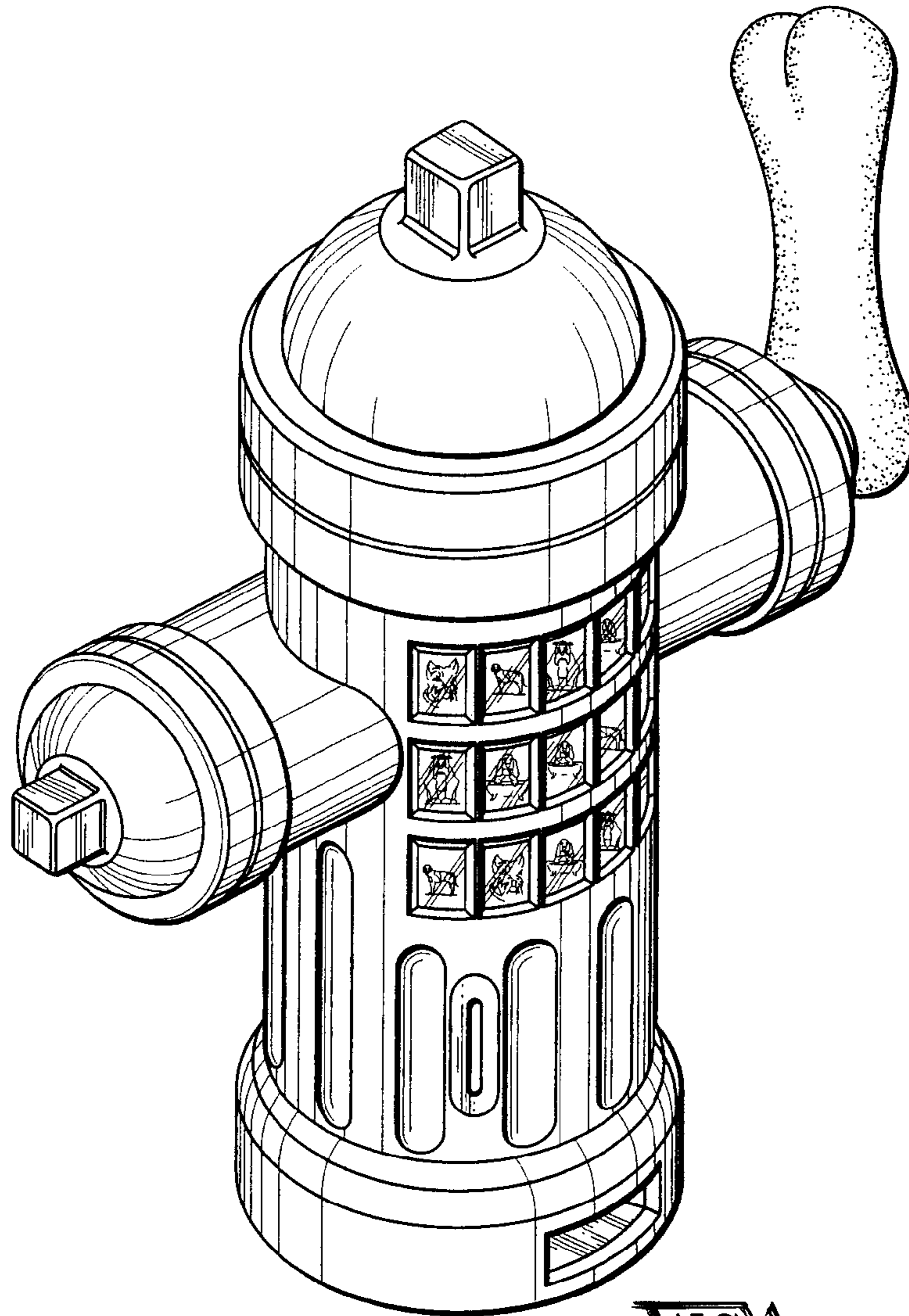


FIG. 1

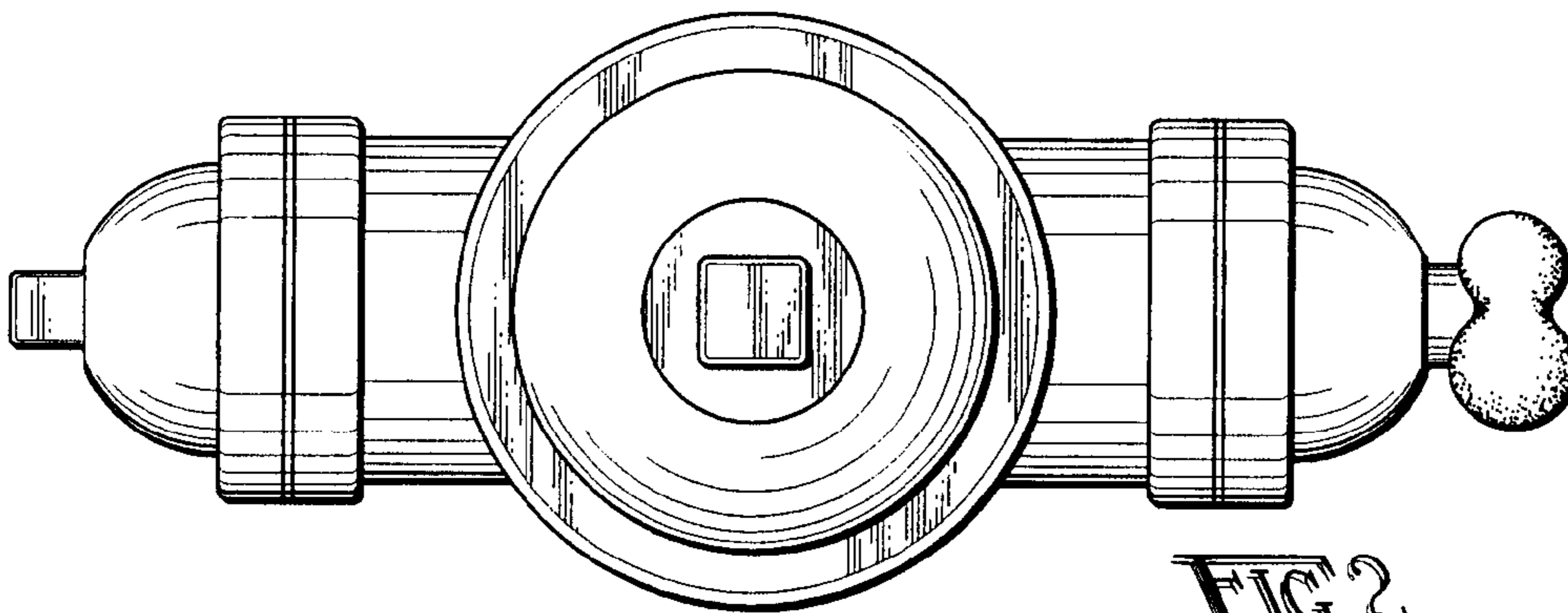


FIG. 2

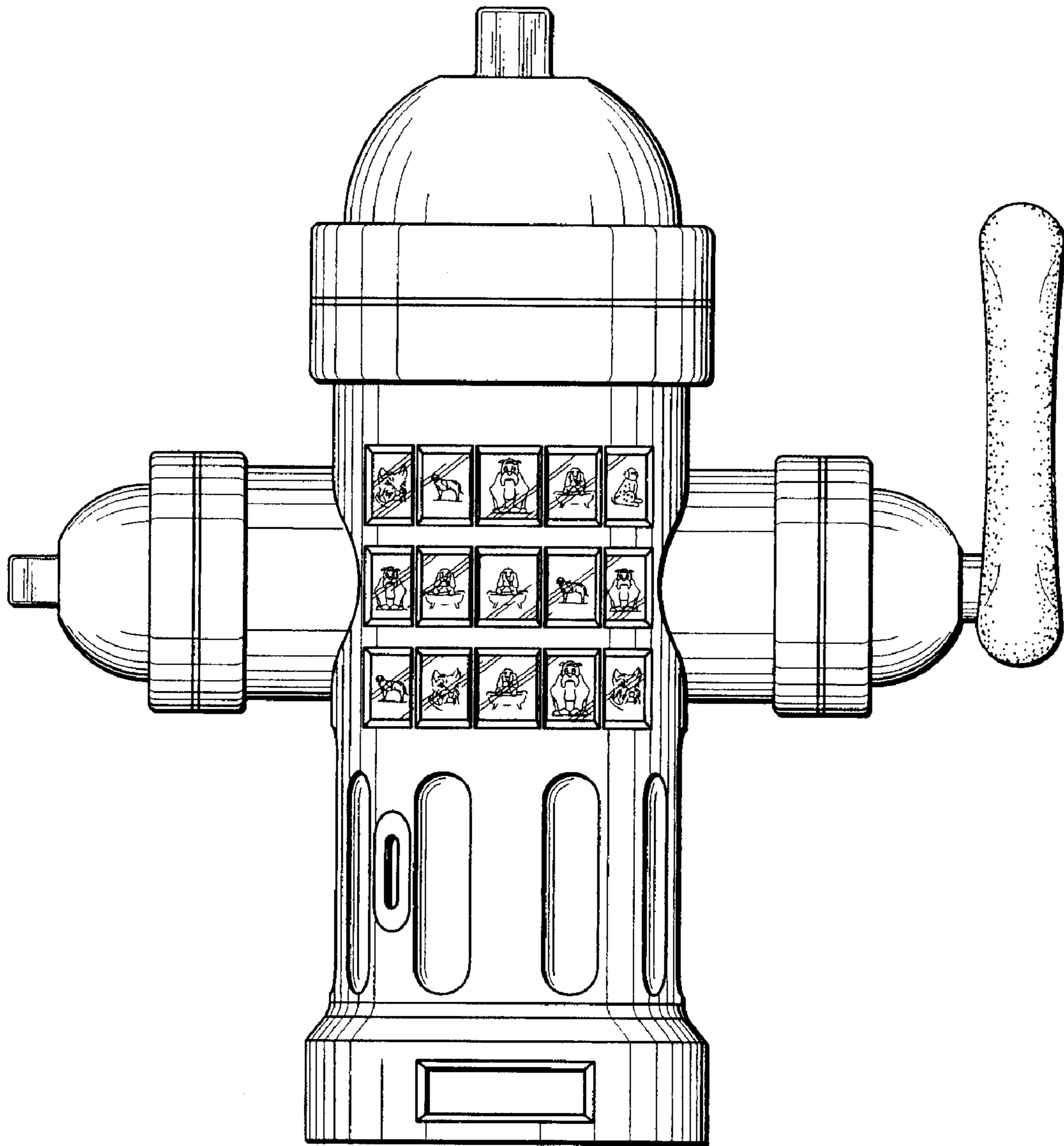


FIG. 3

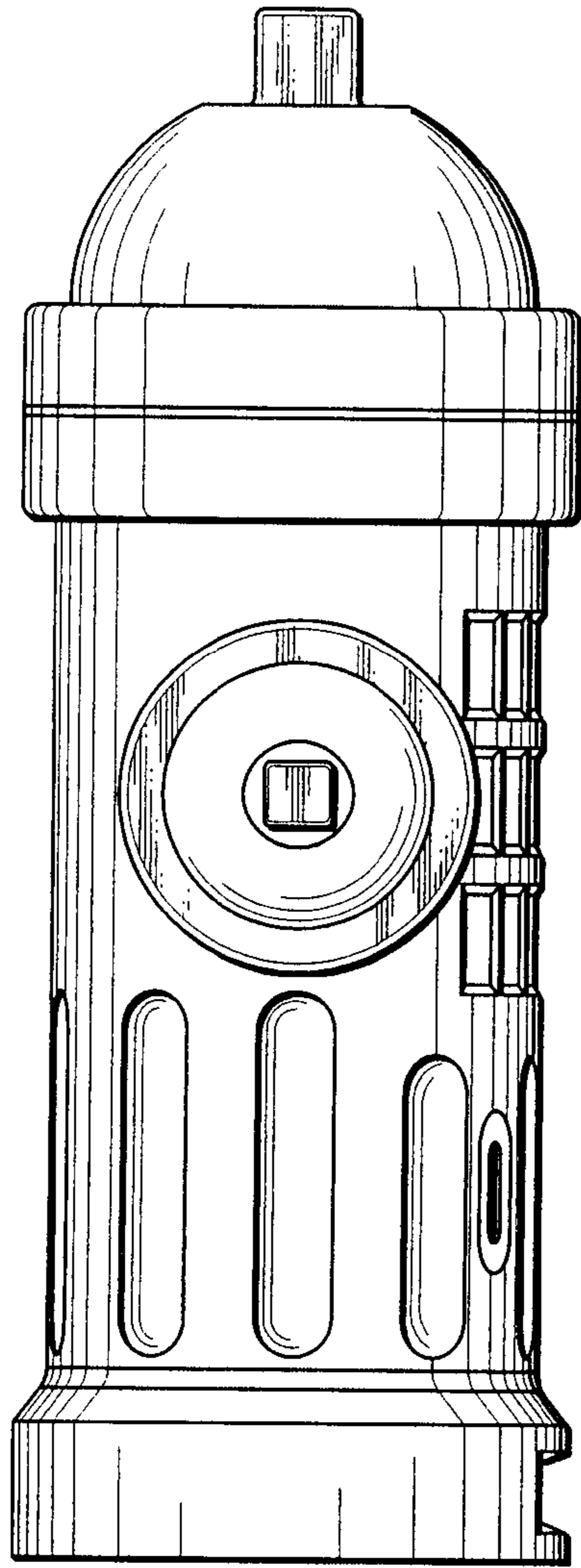


FIG. 4

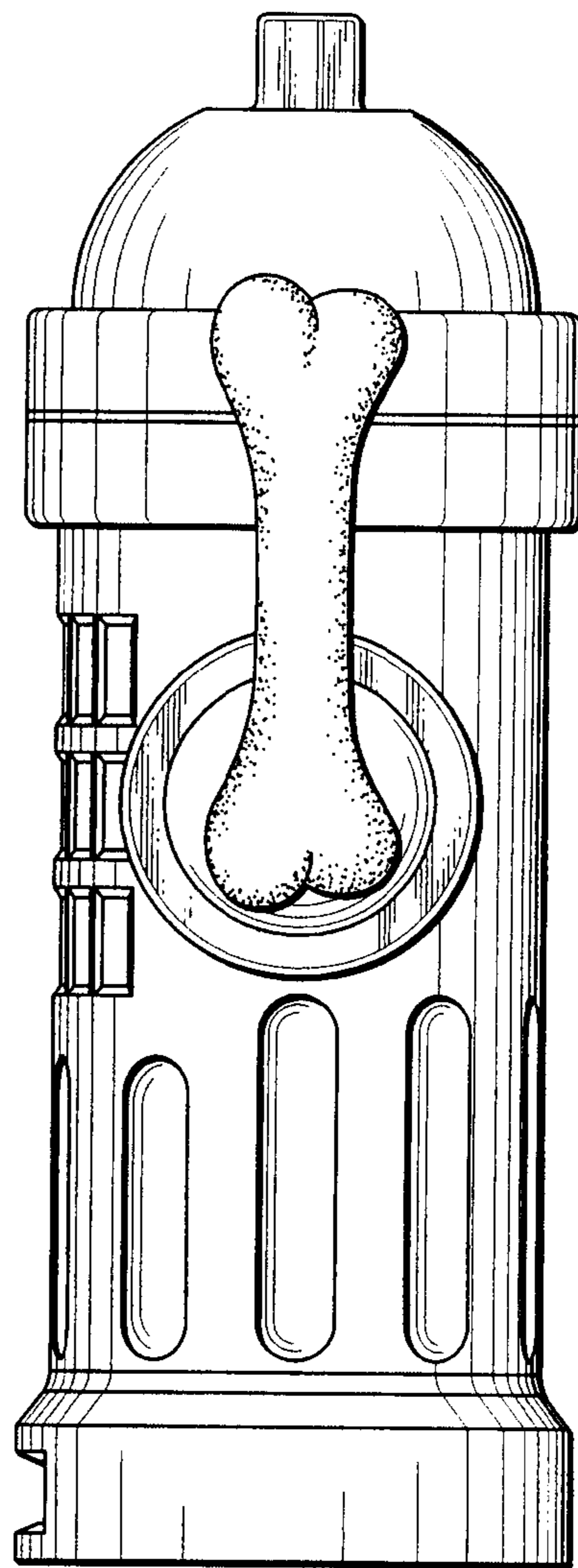


FIG. 5

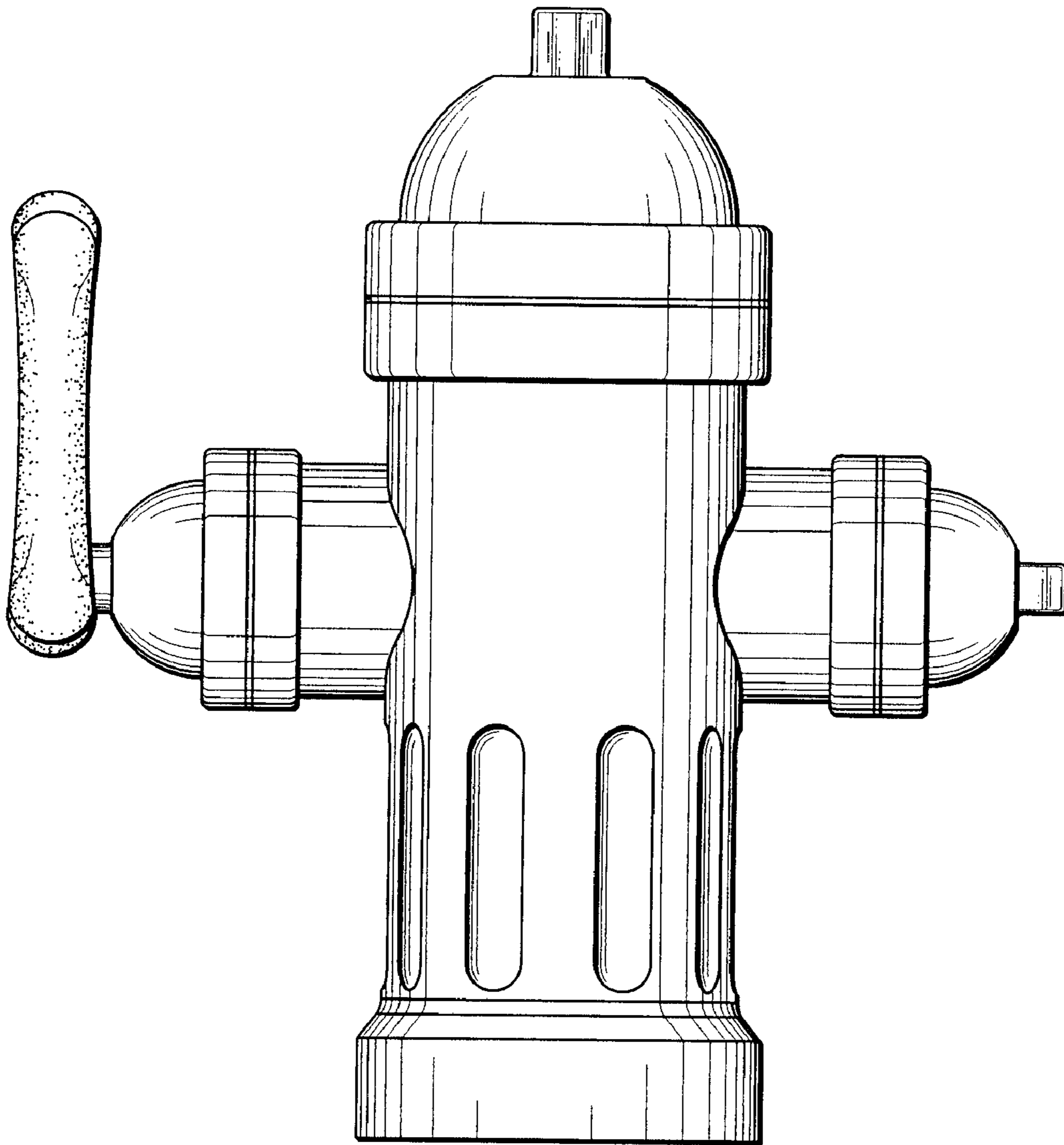


FIG. 6