



US00D520071S

(12) **United States Design Patent**
Seelig et al.

(10) **Patent No.:** **US D520,071 S**

(45) **Date of Patent:** **** May 2, 2006**

(54) **GAMING DEVICE DISPLAY**

(75) Inventors: **Jerald C. Seelig**, Abescon, NJ (US);
Lawrence M. Henshaw, Hammonton,
NJ (US)

(73) Assignee: **Atlantic City Coin & Slot Service
Company, Inc.**, Pleasantville, NJ (US)

(**) Term: **14 Years**

(21) Appl. No.: **29/206,674**

(22) Filed: **Jun. 2, 2004**

(51) **LOC (8) Cl.** **21-03**

(52) **U.S. Cl.** **D21/370; D21/385**

(58) **Field of Classification Search** D21/325,
D21/329, 369-371, 374, 385; 273/138.1;
463/16-17, 20, 25, 42, 46-47

See application file for complete search history.

(56) **References Cited**

U.S. PATENT DOCUMENTS

D332,976	S	*	2/1993	Gutknecht et al.	D21/370
6,105,962	A	*	8/2000	Malavazos et al.	273/138.1
6,398,220	B1	*	6/2002	Inoue	273/138.1
D484,549	S	*	12/2003	Seelig et al.	D21/370
D486,869	S	*	2/2004	Webb et al.	D21/370
6,705,944	B1	*	3/2004	Luciano	463/20
6,715,756	B1	*	4/2004	Inoue	273/138.1

D492,968	S	*	7/2004	Seelig et al.	D21/370
6,827,646	B1	*	12/2004	Adams	463/20
6,893,018	B1	*	5/2005	Inoue	273/138.1
6,905,407	B1	*	6/2005	Nordman	463/20
2004/0018866	A1	*	1/2004	Inoue	463/16
2004/0155399	A1	*	8/2004	Inoue	273/138.1

* cited by examiner

Primary Examiner—Sandra L. Morris

(74) *Attorney, Agent, or Firm*—Ian F. Burns

(57) **CLAIM**

An ornamental design for a gaming device display, as shown and described.

DESCRIPTION

FIG. 1 is substantially a perspective view of the gaming device display.

FIG. 2 is substantially a front elevational view of the gaming device display shown in FIG. 1.

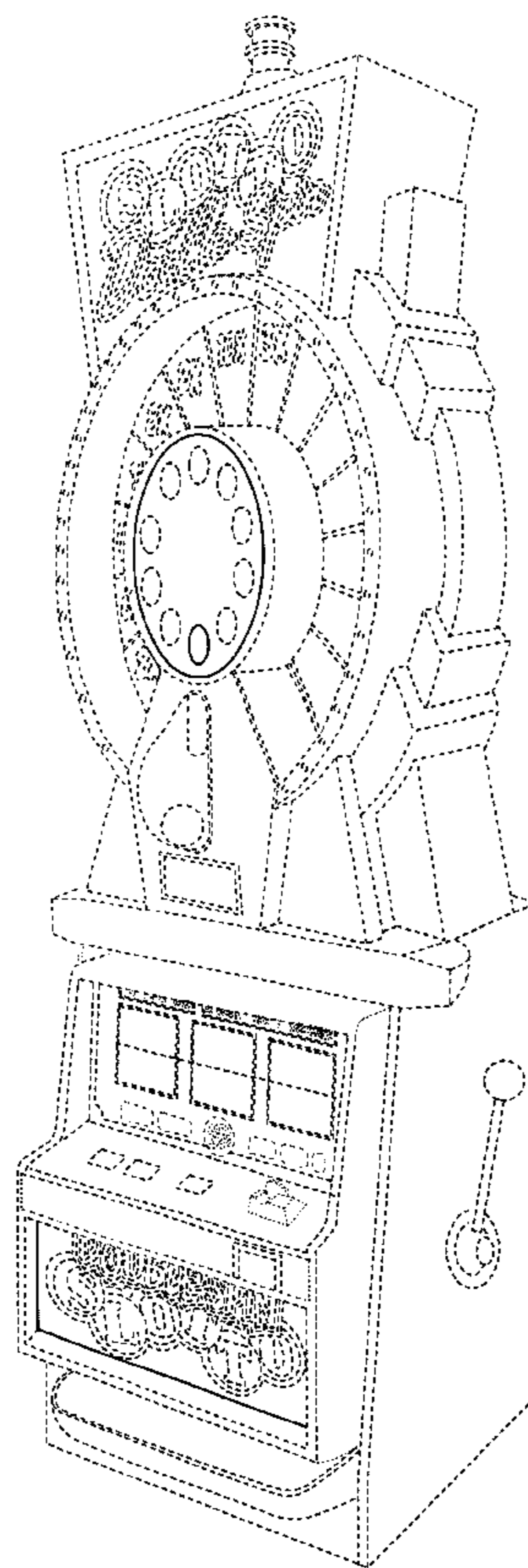
FIG. 3 is substantially a right side elevational view of the gaming device display shown in FIG. 1.

FIG. 4 is substantially a left side view of the gaming device display shown in FIG. 1; and,

FIG. 5 is substantially a top view of the gaming device display shown in FIG. 1.

Broken lines illustrate features or environmental components that are not part of the design sought to be patented.

1 Claim, 5 Drawing Sheets



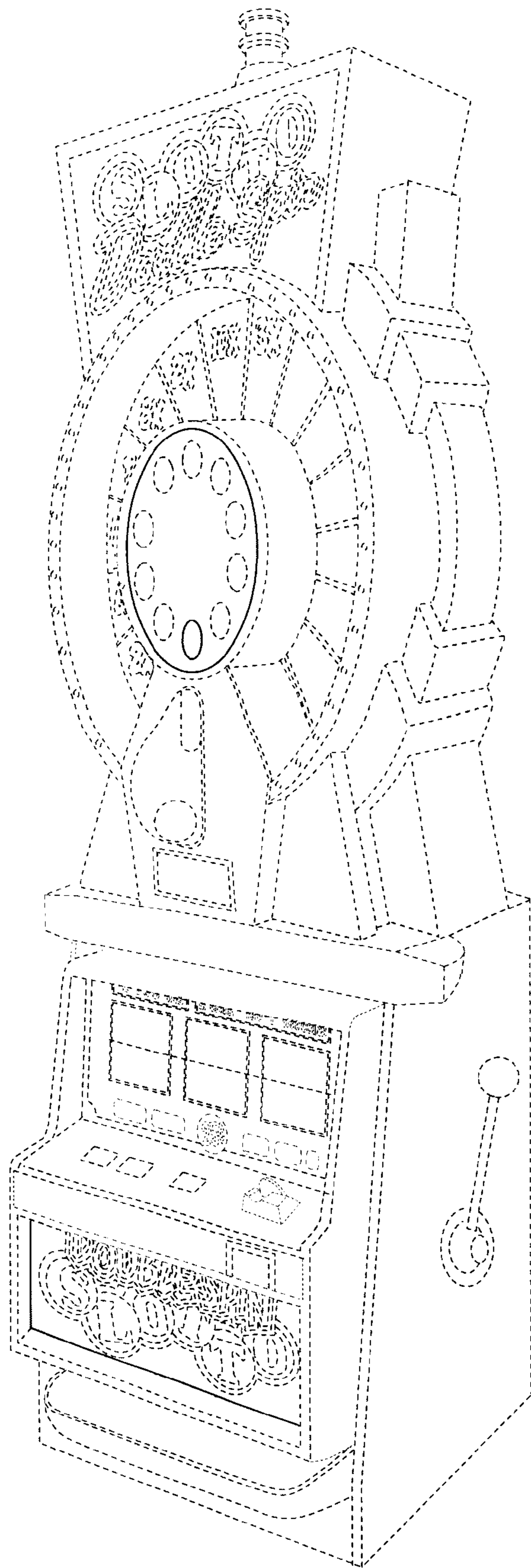


FIG. 1

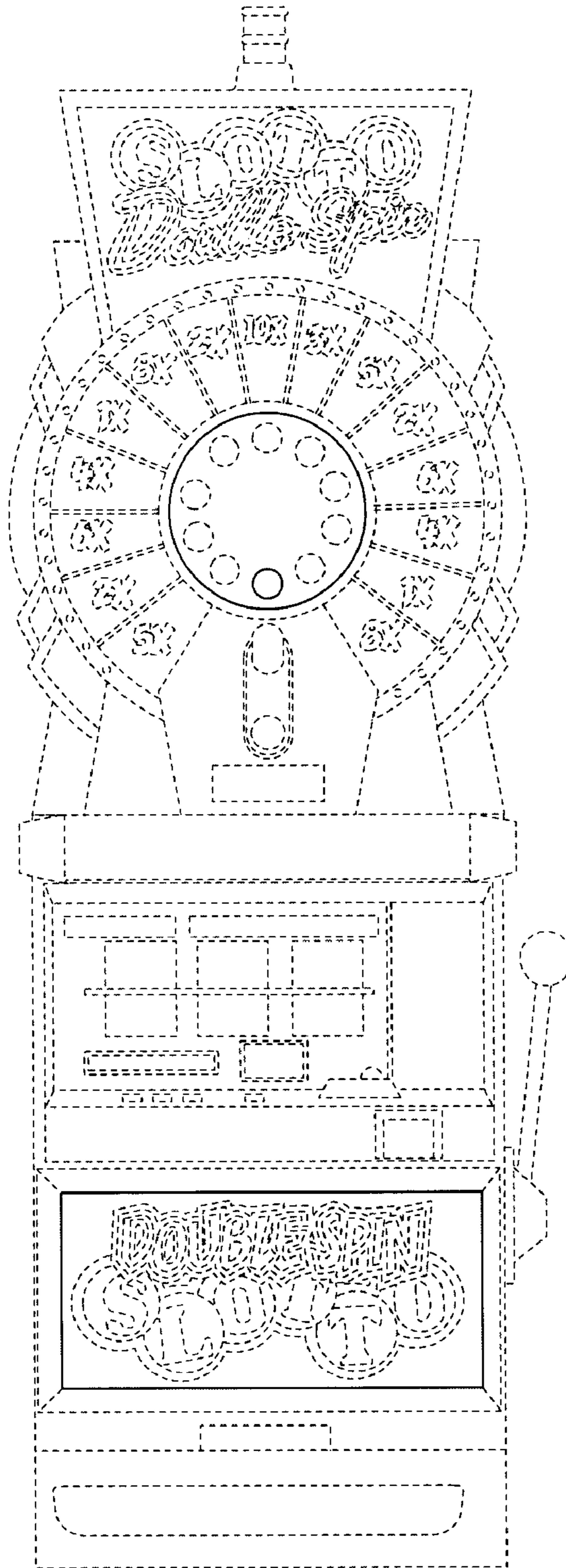


FIG. 2

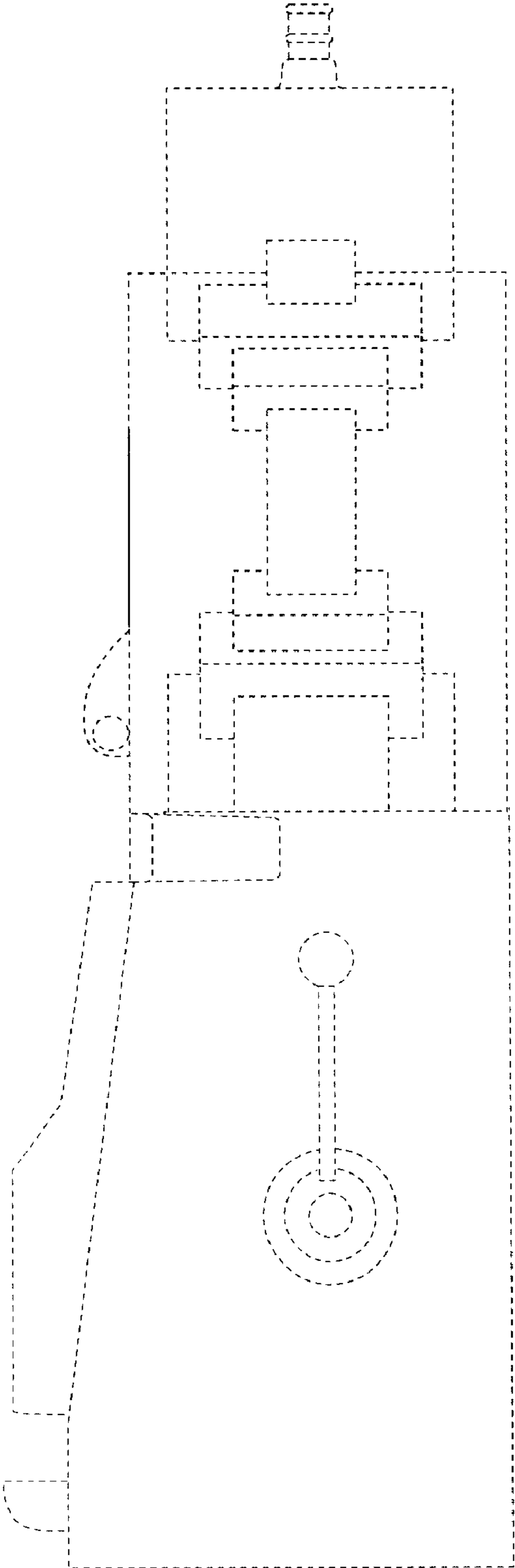


FIG. 3

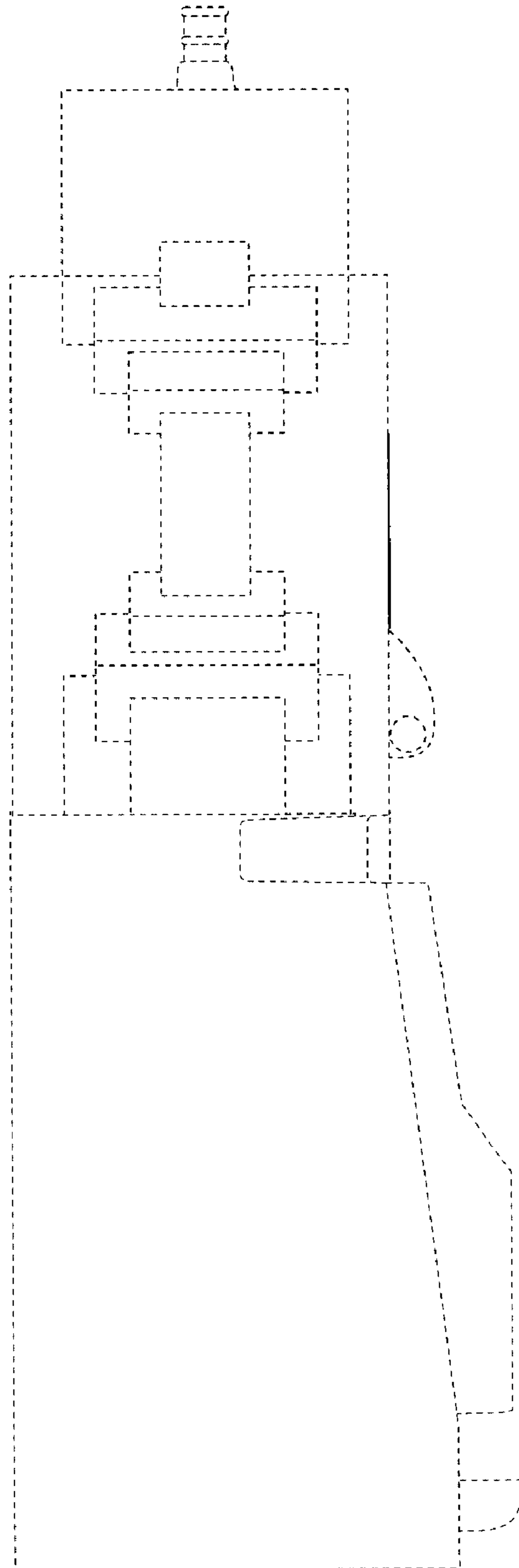


FIG. 4

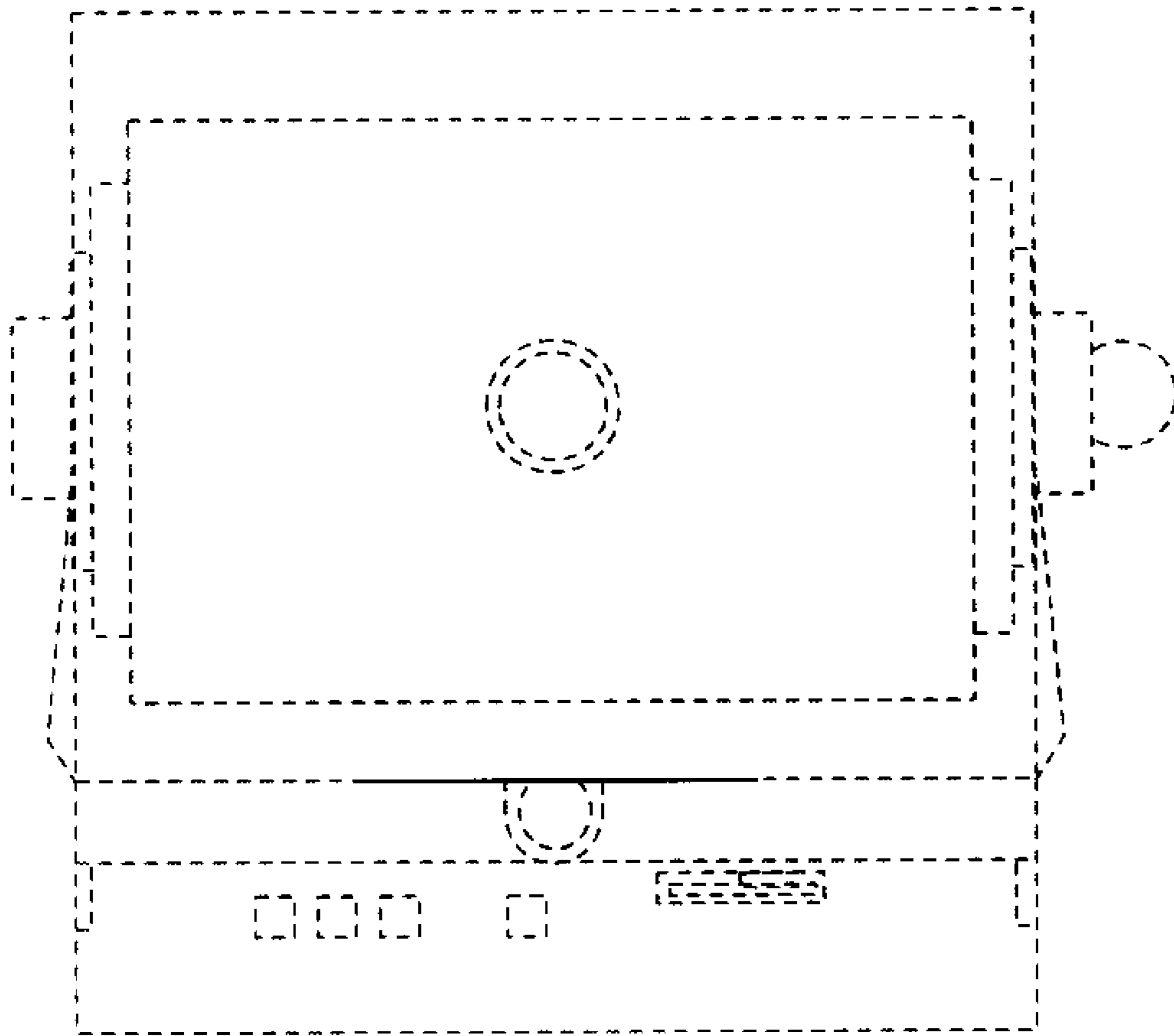


FIG. 5