



US00D520067S

(12) **United States Design Patent**  
**Lokos**

(10) **Patent No.:** **US D520,067 S**

(45) **Date of Patent:** **\*\* May 2, 2006**

(54) **BOWLING GAME**

(75) Inventor: **Ronald Lokos**, Sparta, NJ (US)

(73) Assignee: **Moose Mountain Toymakers Ltd.**  
(CN)

(\*\*) Term: **14 Years**

(21) Appl. No.: **29/212,539**

(22) Filed: **Sep. 2, 2004**

**Related U.S. Application Data**

(62) Division of application No. 29/183,632, filed on Jun. 13, 2003, now Pat. No. Des. 497,187.

(51) **LOC (8) Cl.** ..... **21-01**

(52) **U.S. Cl.** ..... **D21/317**

(58) **Field of Classification Search** ..... D21/312-314,  
D21/317, 334, 338; 273/108, 108.1, 118 R,  
273/126 R; 473/115-117, 54, 55  
See application file for complete search history.

(56) **References Cited**

**U.S. PATENT DOCUMENTS**

1,203,805 A \* 11/1916 Stephan ..... 473/116  
D58,686 S \* 8/1921 Reuhl ..... D21/317

1,962,899 A \* 6/1934 Hagy ..... 473/116  
3,602,507 A \* 8/1971 Naylor ..... 473/116  
D279,693 S \* 7/1985 Kovacs ..... D21/317  
D294,505 S \* 3/1988 Knighten ..... D21/317  
D309,922 S \* 8/1990 Jorgensen ..... D21/317  
5,135,221 A \* 8/1992 Barlow ..... 473/116  
D343,219 S \* 1/1994 Unterberger ..... D21/317  
6,039,655 A \* 3/2000 Todokoro ..... 473/116  
6,502,819 B1 \* 1/2003 Rieber et al. .... 273/126 R

\* cited by examiner

*Primary Examiner*—Prabhakar Deshmukh

(74) *Attorney, Agent, or Firm*—Lerner, David, Littenberg,  
Krumholz & Mentlik, LLP

(57) **CLAIM**

The ornamental design for a bowling game, as shown and described.

**DESCRIPTION**

FIG. 1 is a perspective view of a bowling game showing my new design;  
FIG. 2 is a right side elevational view;  
FIG. 3 is a left side elevational view;  
FIG. 4 is a rear elevational view;  
FIG. 5 is a front elevational view; and,  
FIG. 6 is a top plan view.

**1 Claim, 3 Drawing Sheets**

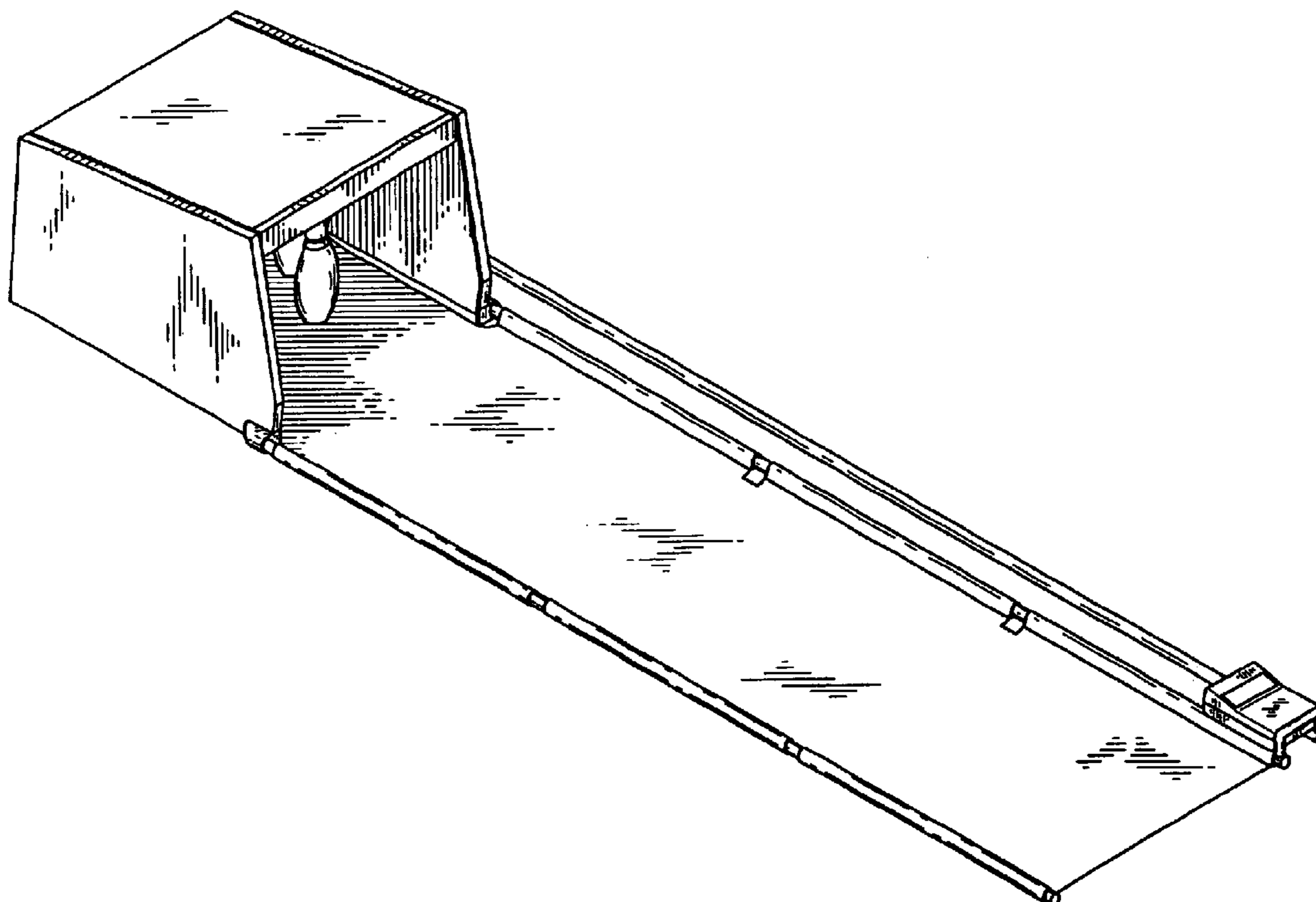


FIG. 1

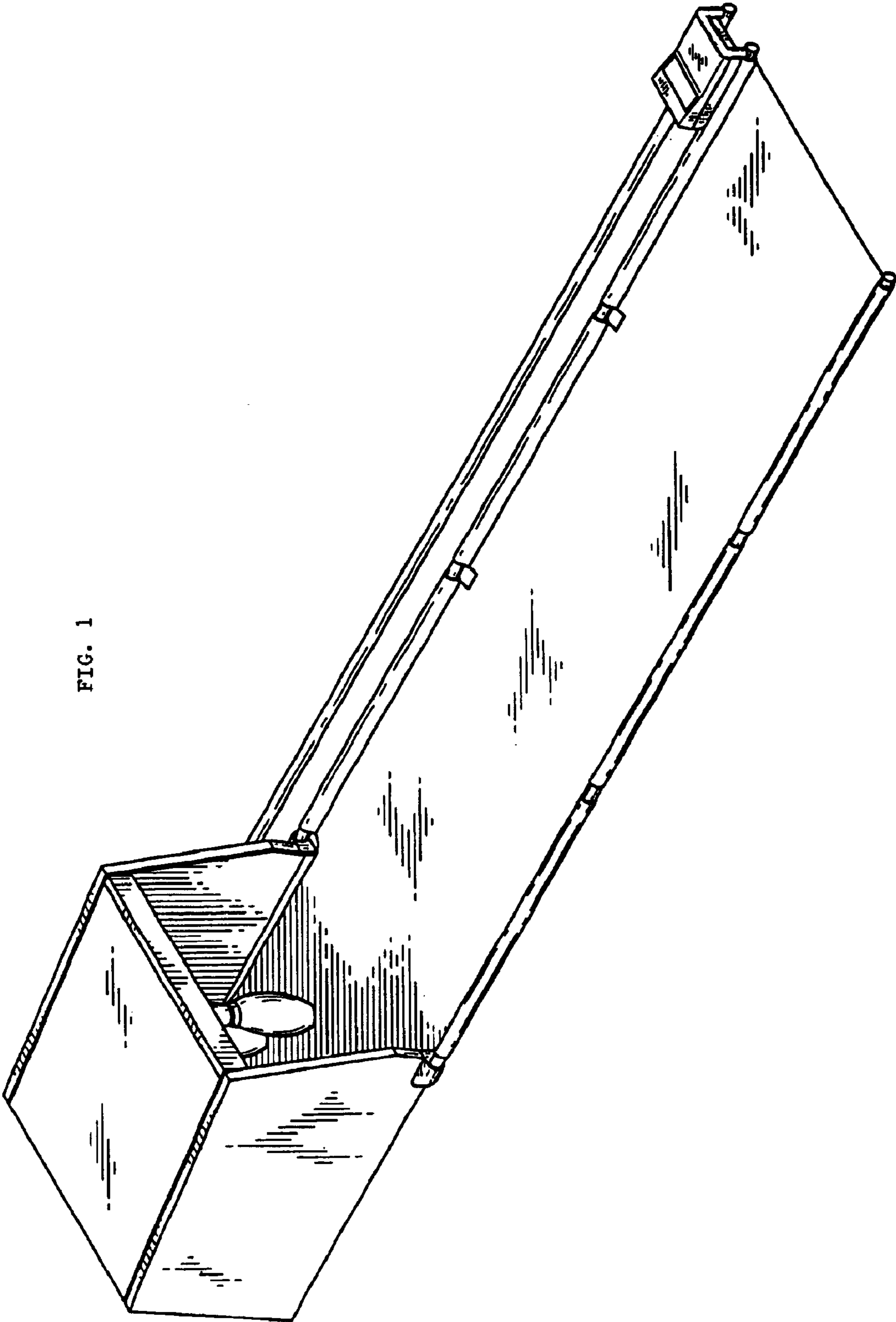


FIG. 3

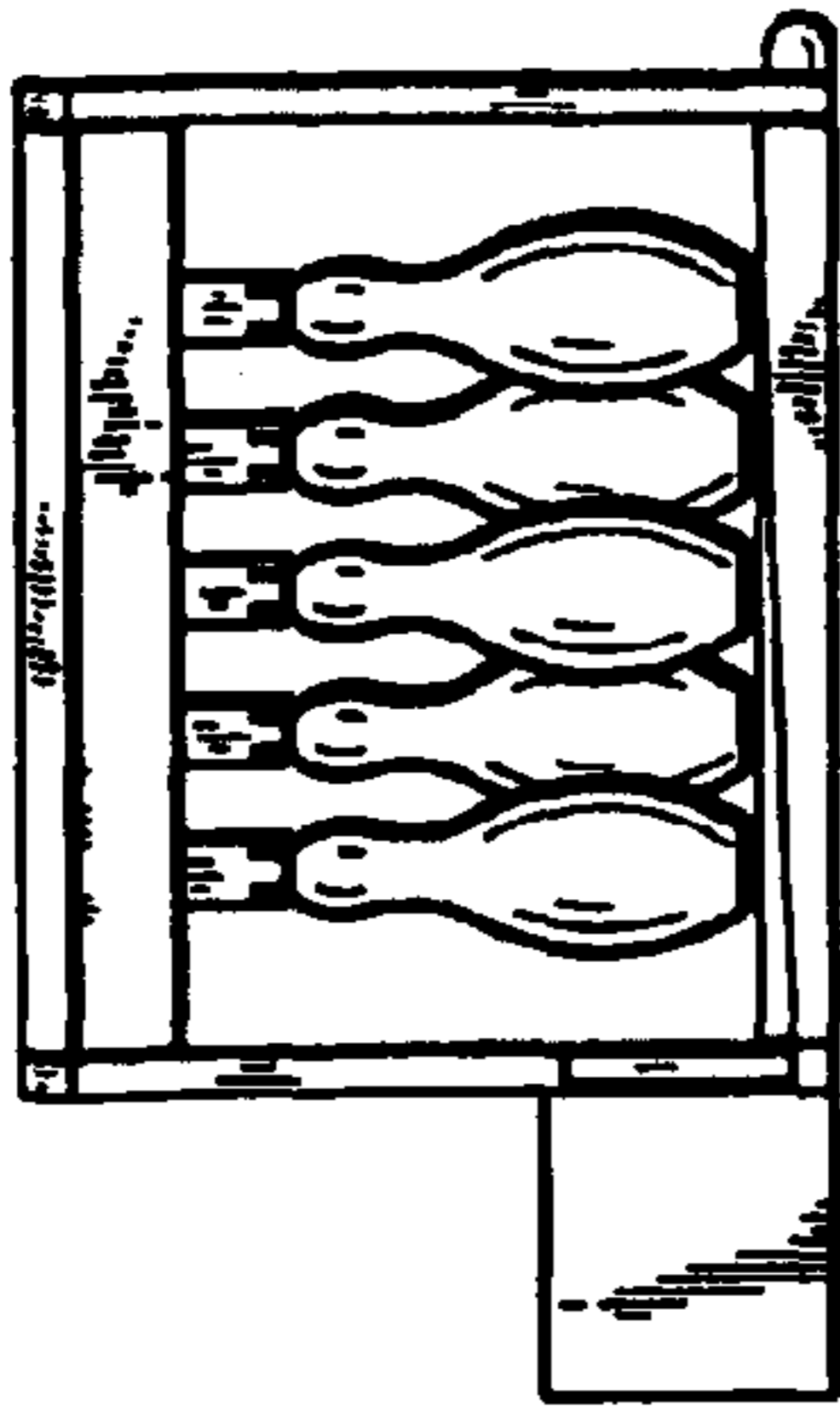


FIG. 2

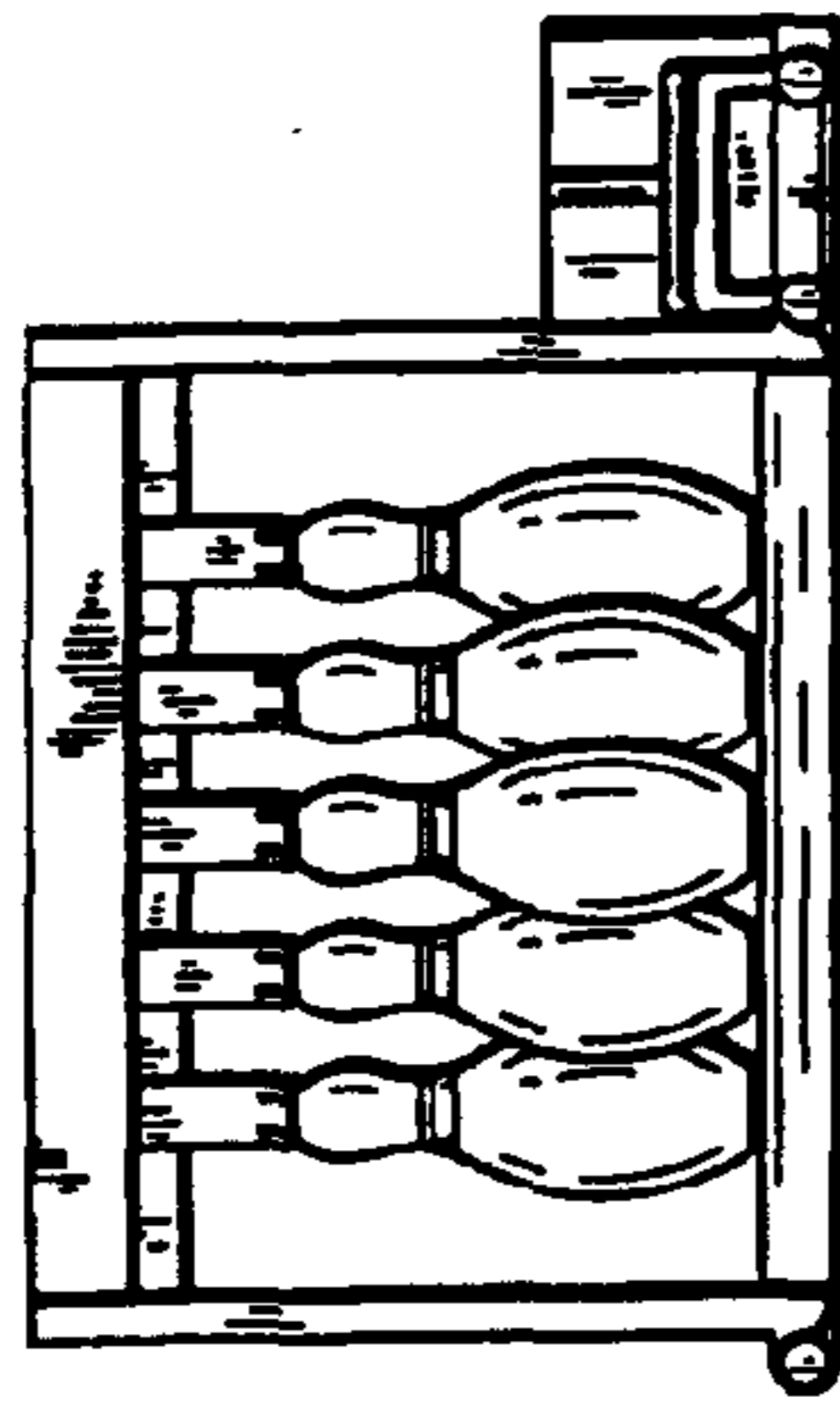


FIG. 4

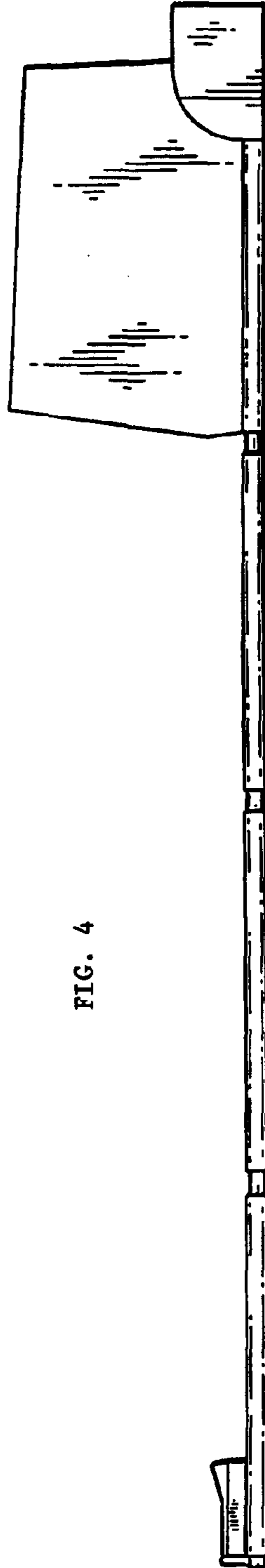


FIG. 5

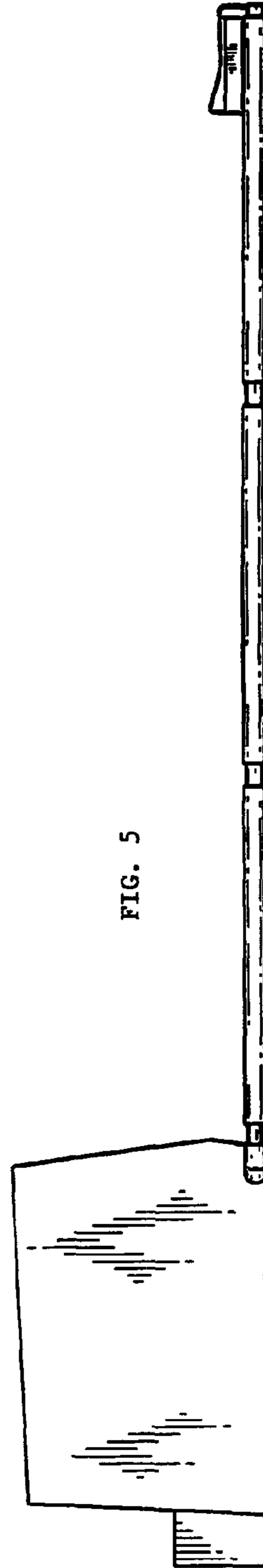


FIG. 6

