

US00D520062S

(12) **United States Design Patent** (10) **Patent No.:** **US D520,062 S**
Kimura (45) **Date of Patent:** **** May 2, 2006**

(54) **TAPE DISPENSER**

(75) Inventor: **Shigeru Kimura**, Tokorozawa (JP)

(73) Assignee: **Tombow Pencil Co., Ltd.**, Tokyo (JP)

(**) Term: **14 Years**

(21) Appl. No.: **29/207,803**

(22) Filed: **Jun. 21, 2004**

(30) **Foreign Application Priority Data**

Jan. 15, 2004 (JP) 2004-000787

(51) **LOC (8) Cl.** **19-02**

(52) **U.S. Cl.** **D19/69**

(58) **Field of Classification Search** D19/66,
D19/67, 68, 69, 70; 156/523, 527, 540, 577;
206/411; 225/6, 25, 39, 77; 242/588, 588.1,
242/588.2, 588.3, 588.6, 598.5

See application file for complete search history.

(56) **References Cited**

U.S. PATENT DOCUMENTS

- D355,934 S * 2/1995 Oga et al. D19/69
- D410,494 S * 6/1999 Hoffmann D19/69
- D421,059 S * 2/2000 Shimizu D19/69
- D436,625 S * 1/2001 Katami D19/69
- D446,246 S * 8/2001 Kimura D19/69
- D451,960 S * 12/2001 Shimizu D19/69
- D456,450 S * 4/2002 Kimura D19/69
- D466,554 S * 12/2002 Yonezawa et al. D19/67
- D467,280 S * 12/2002 Van Zuthem-Maasdam
et al. D19/66
- D467,617 S * 12/2002 Soetewey D19/69
- D475,745 S * 6/2003 Ono D19/69
- D476,035 S * 6/2003 Katami D19/69

- D476,687 S * 7/2003 Katami D19/69
- D492,730 S * 7/2004 Suzuki D19/69
- D494,221 S * 8/2004 Suzuki D19/69
- D498,498 S * 11/2004 Ono D19/69
- 2004/0154752 A1 * 8/2004 Huthmacher et al. 156/577

* cited by examiner

Primary Examiner—Caron D. Veynar

Assistant Examiner—Elizabeth Albert

(74) *Attorney, Agent, or Firm*—Birch, Stewart, Kolasch & Birch, LLP

(57) **CLAIM**

The ornamental design for a tape dispenser, as shown and described.

DESCRIPTION

In the drawings which show a dispenser for tape-like material like correction or adhesive tape, having a transparent casing with a non-transparent slide cover protruding from the casing, which can be slidingly moved between retracted and advanced positions for covering or exposing a non-transparent application head held by the casing.

FIG. 1 is a front view with the slide cover in the retracted position for exposing the application head,

FIG. 2 is a rear view,

FIG. 3 is a right side view,

FIG. 4 is a left side view,

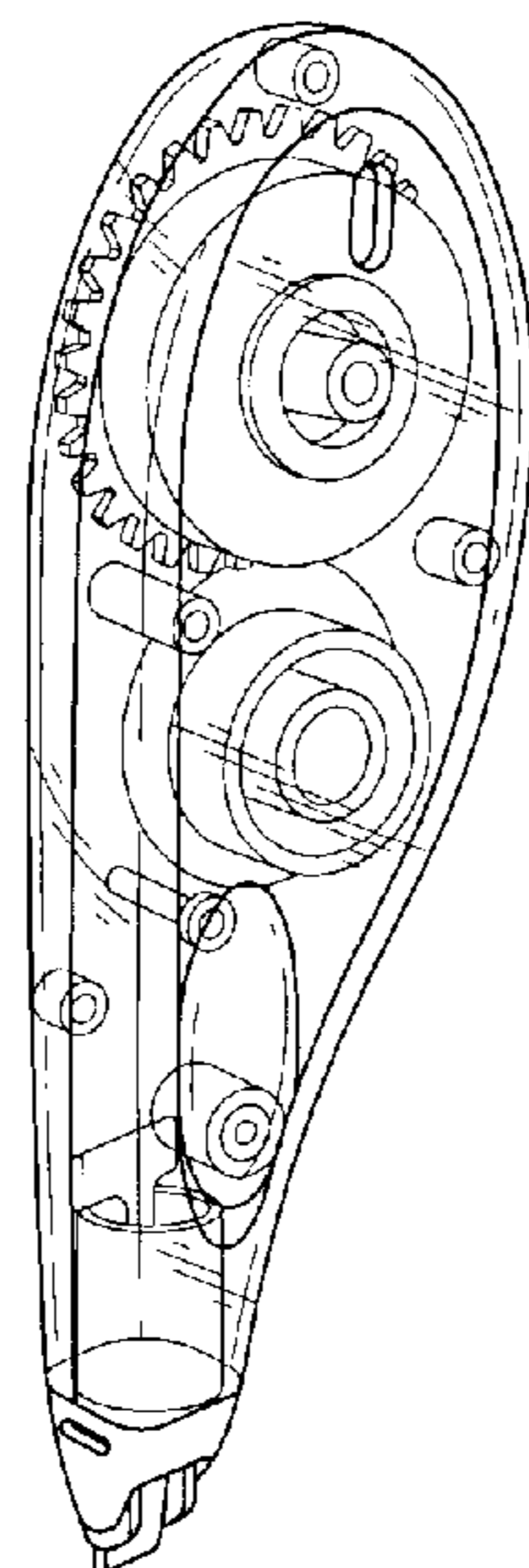
FIG. 5 is a top view,

FIG. 6 is a bottom view,

FIG. 7 is a perspective view with the slide cover in the retracted position for exposing the application head; and,

FIG. 8 is a perspective view with the slide cover in the advanced position for covering the application head.

1 Claim, 2 Drawing Sheets



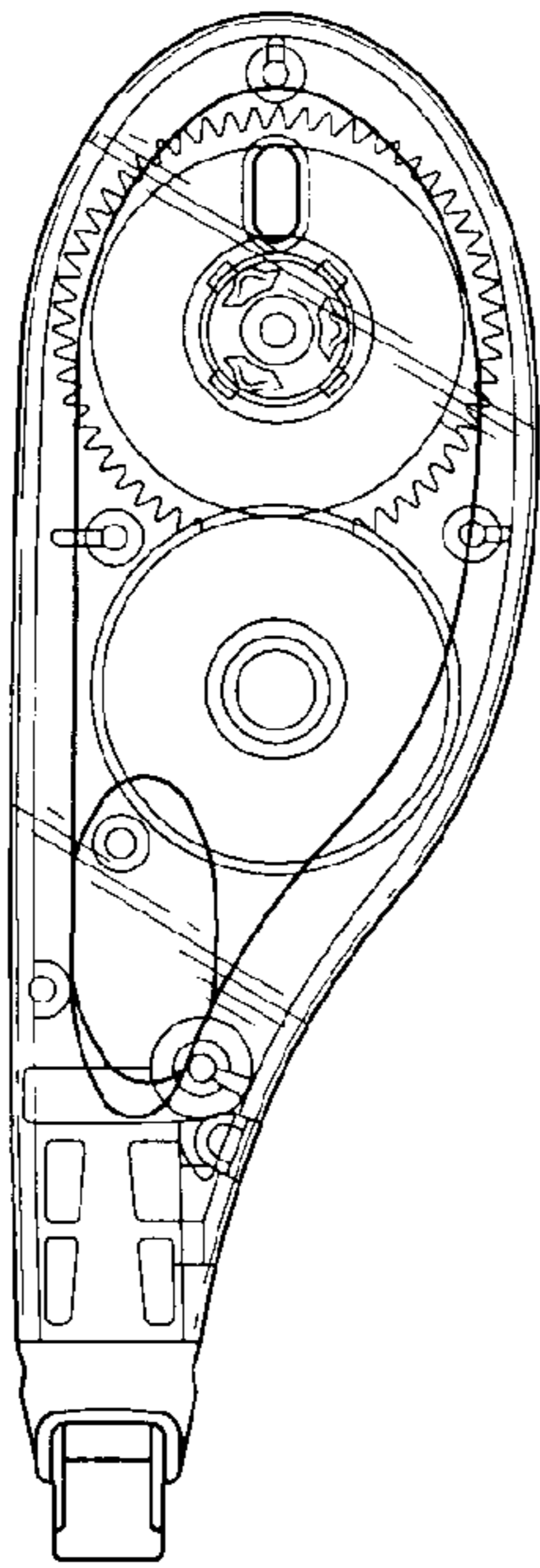


FIG. 1

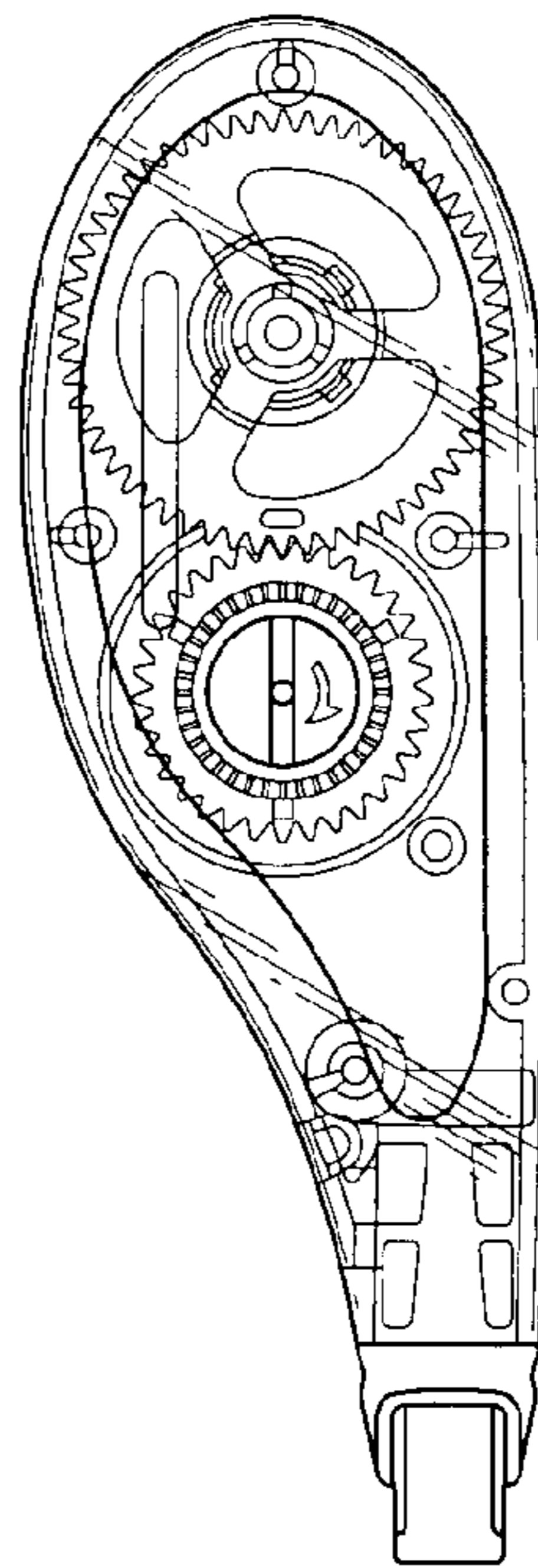


FIG. 2



FIG. 3

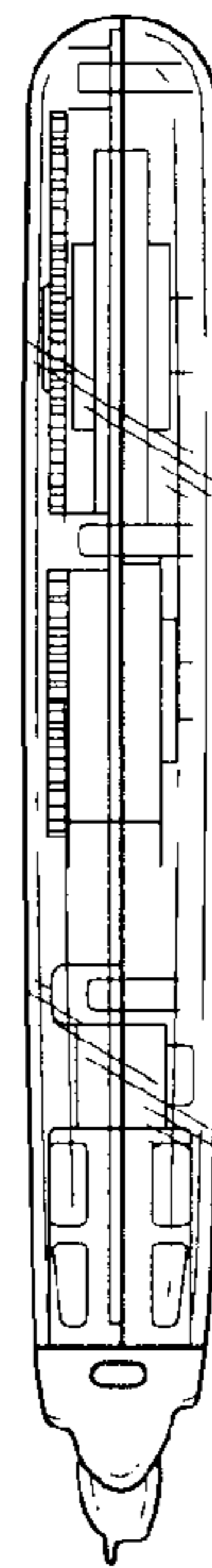


FIG. 4

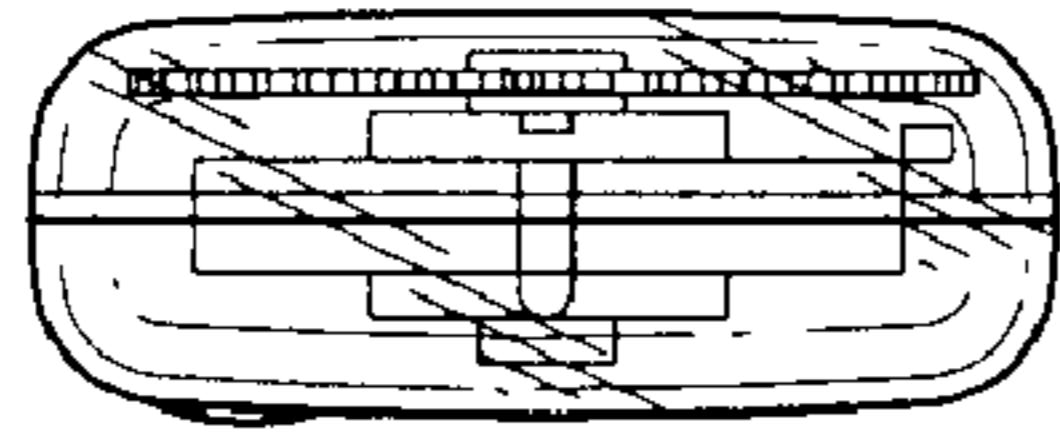


FIG. 5

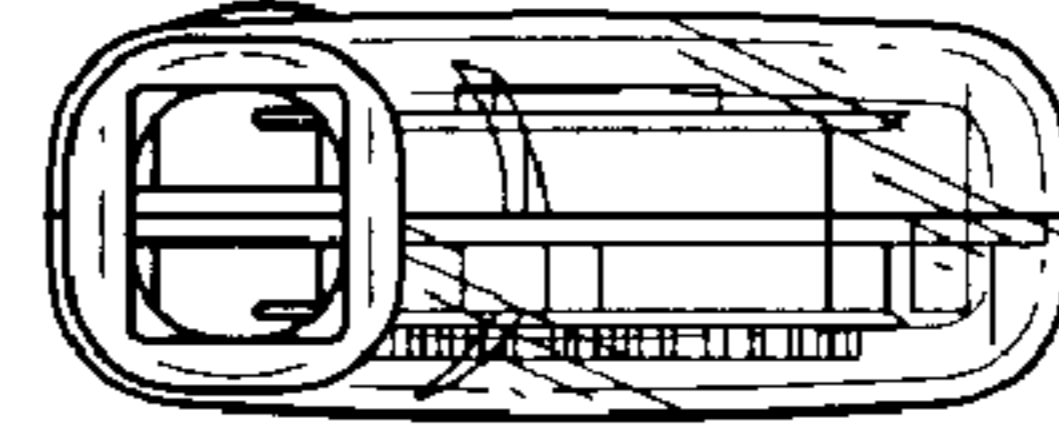


FIG. 6

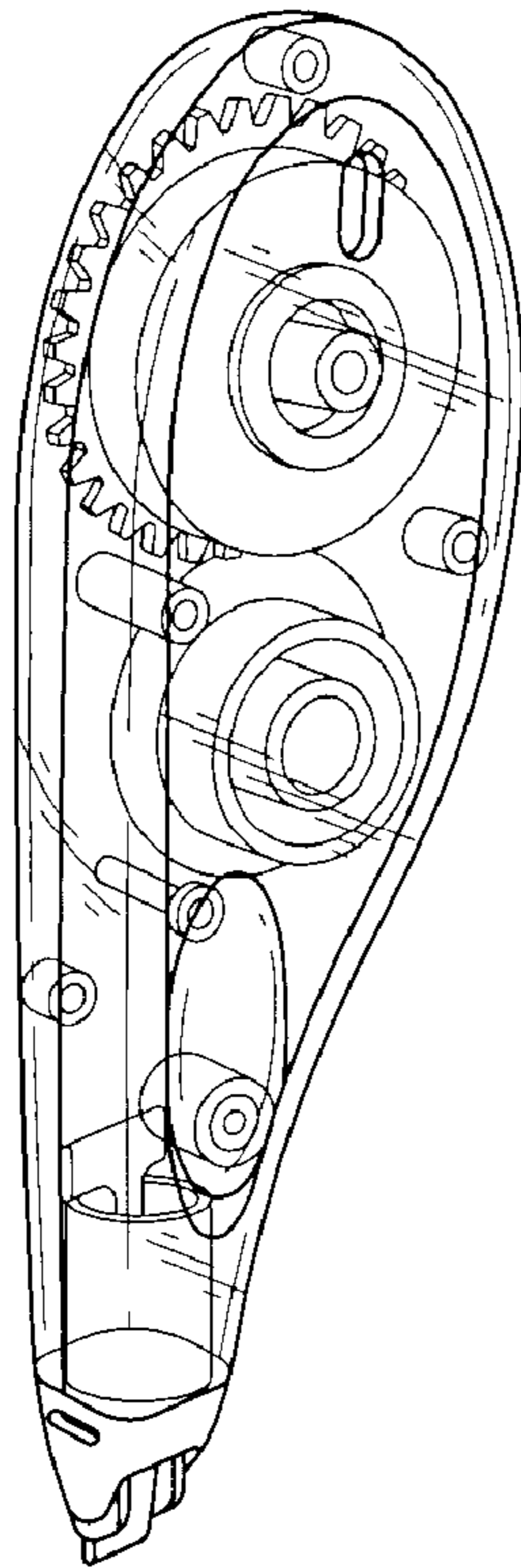


FIG. 7

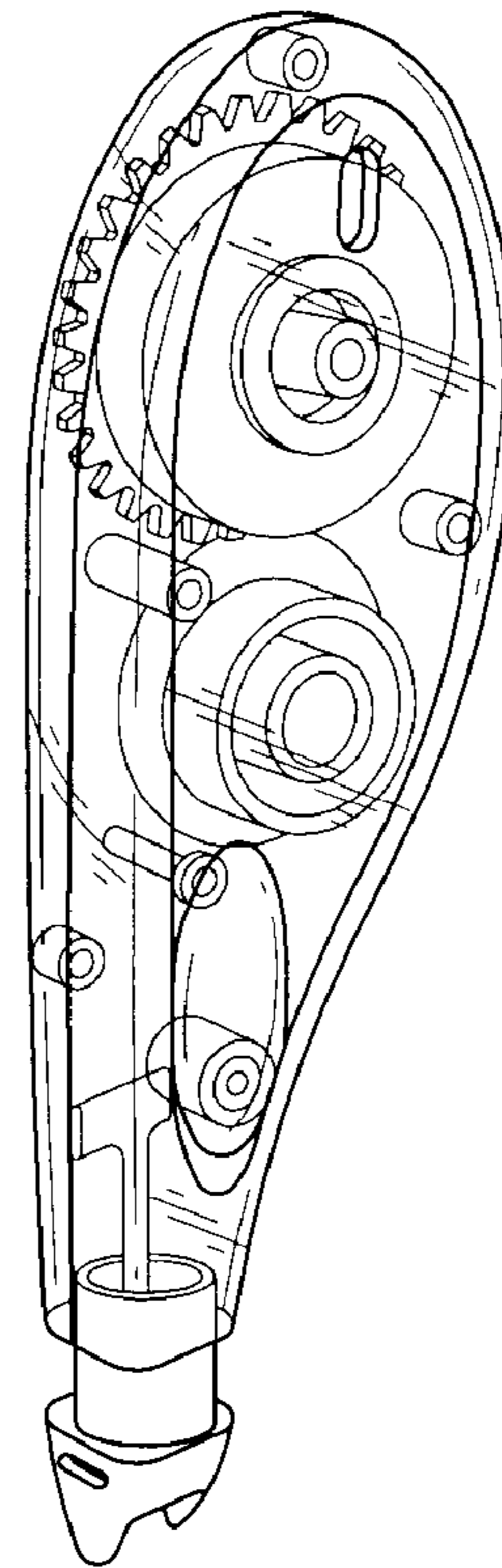


FIG. 8