

US00D520061S

(12) **United States Design Patent**
Daunter et al.

(10) **Patent No.:** **US D520,061 S**

(45) **Date of Patent:** **** May 2, 2006**

- (54) **ERGONOMIC TAPE DISPENSER**
- (75) Inventors: **Dominic Daunter**, Howell, MI (US);
David Thimm, Plymouth, MI (US);
James Hawley, Sheffield Lake, OH (US)
- (73) Assignee: **Henkel Consumer Adhesives, Inc.**,
Avon, OH (US)
- (**) Term: **14 Years**
- (21) Appl. No.: **29/202,698**
- (22) Filed: **Apr. 2, 2004**
- (51) **LOC (8) Cl.** **19-02**
- (52) **U.S. Cl.** **D19/69**
- (58) **Field of Classification Search** D19/66,
D19/67, 68, 69, 70; 156/523, 527, 540, 577;
206/411; 225/6, 25, 39, 77; 242/588, 588.1,
242/588.2, 588.3, 588.6, 598.5
See application file for complete search history.

5,393,367 A *	2/1995	Yu Chen	156/523
5,456,790 A *	10/1995	Yu Chen	156/527
5,776,301 A *	7/1998	Huang	156/577
5,779,852 A *	7/1998	Haney et al.	156/577
5,906,705 A *	5/1999	Chung et al.	156/579
6,296,033 B1 *	10/2001	Clements	156/527
D453,355 S *	2/2002	Potter et al.	D19/69
6,491,082 B1 *	12/2002	Fu	156/527
6,540,002 B1 *	4/2003	Edwards et al.	156/577
6,799,623 B1 *	10/2004	Cheng	156/527
2004/0016509 A1 *	1/2004	Lissoni	156/523
2004/0211523 A1 *	10/2004	Yu Chen	156/523

* cited by examiner

Primary Examiner—Caron D. Veynar

Assistant Examiner—Elizabeth Albert

(74) *Attorney, Agent, or Firm*—Stephen D. Harper; Glenn E. J. Murphy

(57) **CLAIM**

The ornamental design for an ergonomic tape dispenser, as shown and described.

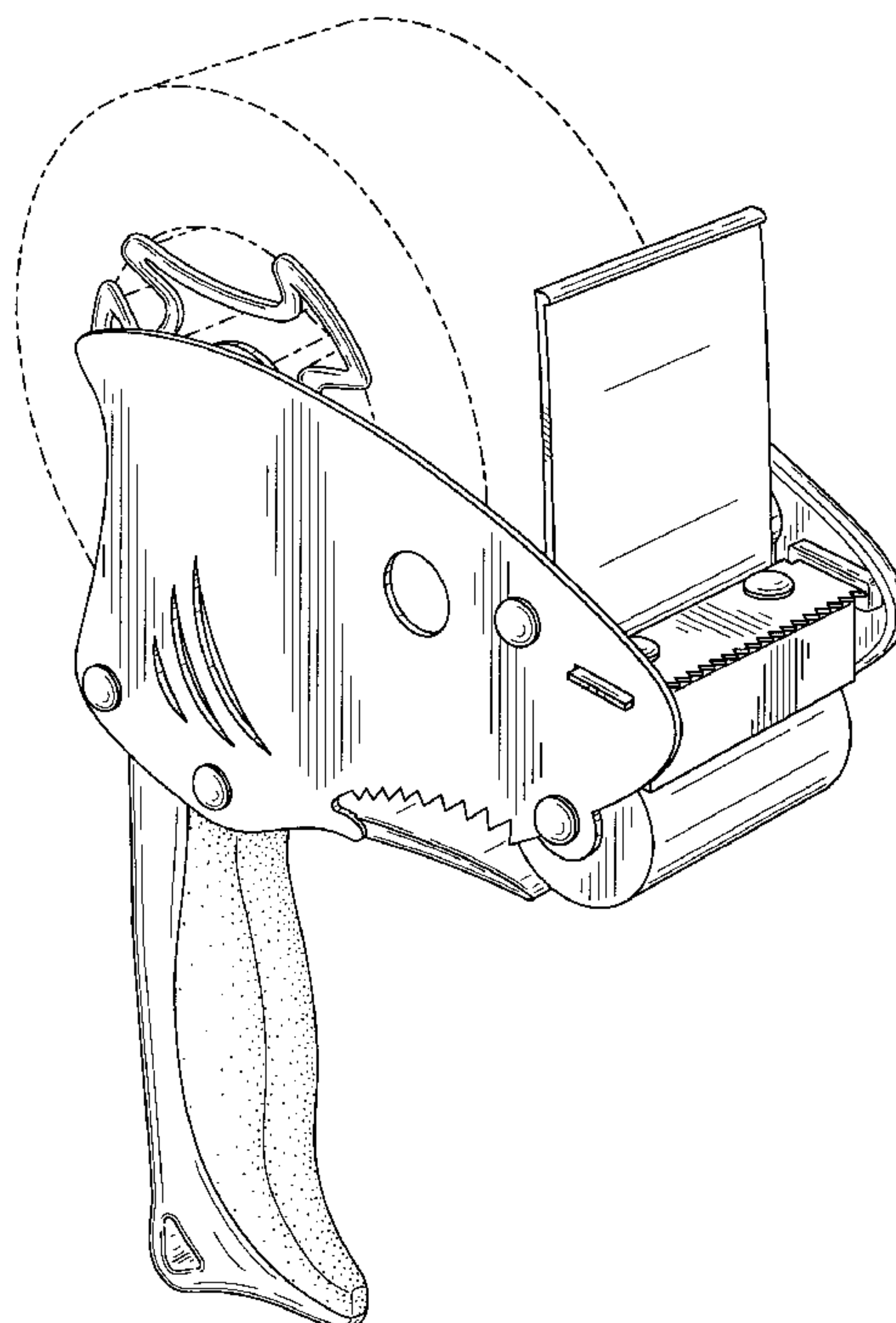
DESCRIPTION

FIG. 1 is a top front left perspective view of the ergonomic tape dispenser showing our new design;
FIG. 2 is a left side elevation view of FIG. 1;
FIG. 3 is a right side elevation view of FIG. 1;
FIG. 4 is a rear elevation view of FIG. 1;
FIG. 5 is a front elevation view of FIG. 1; and,
FIG. 6 is a top plan view of FIG. 1.
The broken lines showing environment in the drawings are for information purposes only and form no part of the claimed design.

1 Claim, 5 Drawing Sheets

(56) **References Cited**
U.S. PATENT DOCUMENTS

D225,577 S *	12/1972	Boyce	D19/69
D227,810 S *	7/1973	Boyce	D19/69
3,972,769 A *	8/1976	Lissoni	156/577
D280,738 S *	9/1985	Grassi	D19/68
D326,474 S *	5/1992	Luhman et al.	D19/69
5,110,401 A *	5/1992	Huang	156/527
5,164,038 A *	11/1992	Sundqvist	156/577
D333,678 S *	3/1993	Lissoni	D19/69
5,197,386 A *	3/1993	Lin	101/213
5,352,320 A *	10/1994	Schwartz et al.	156/494



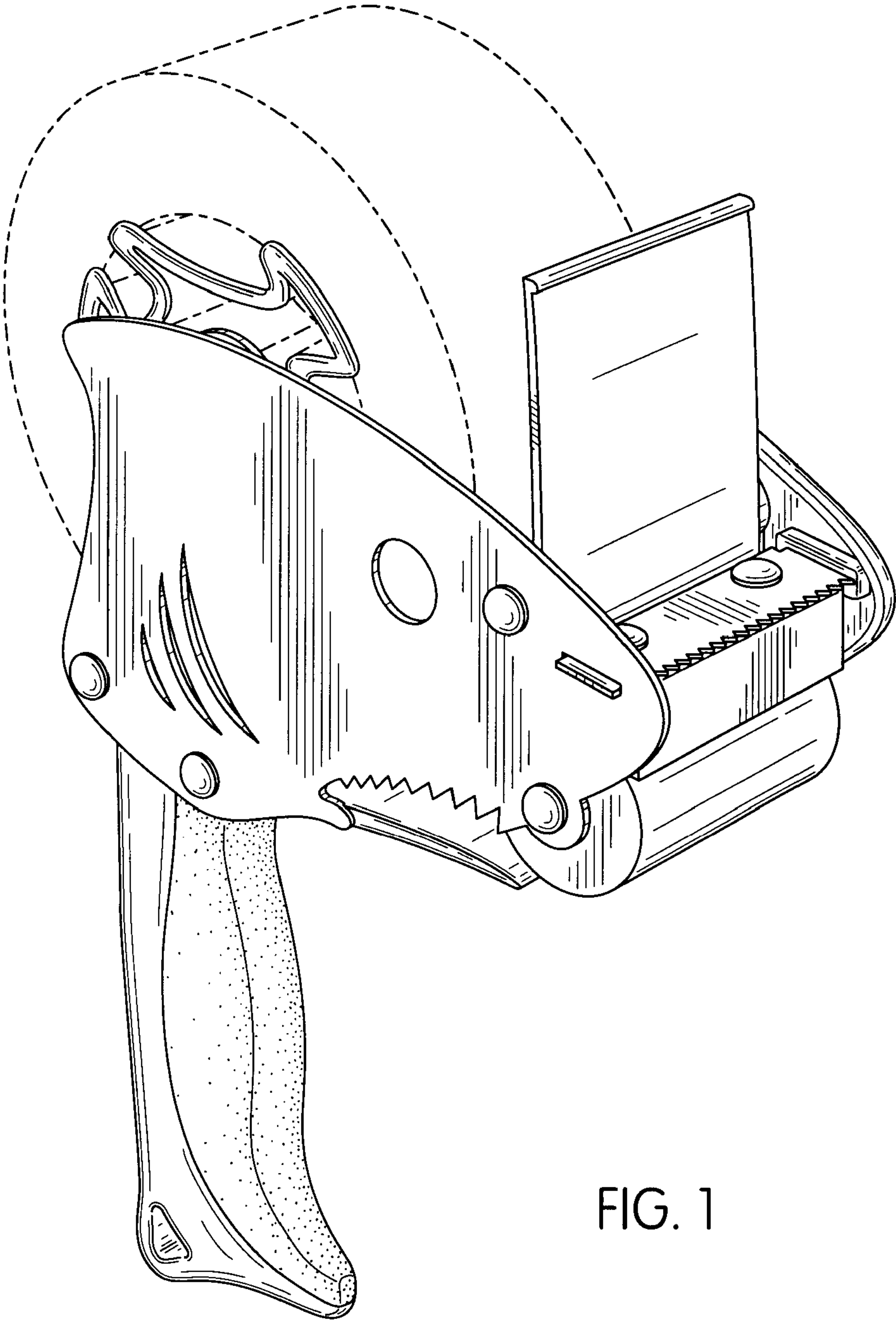


FIG. 1

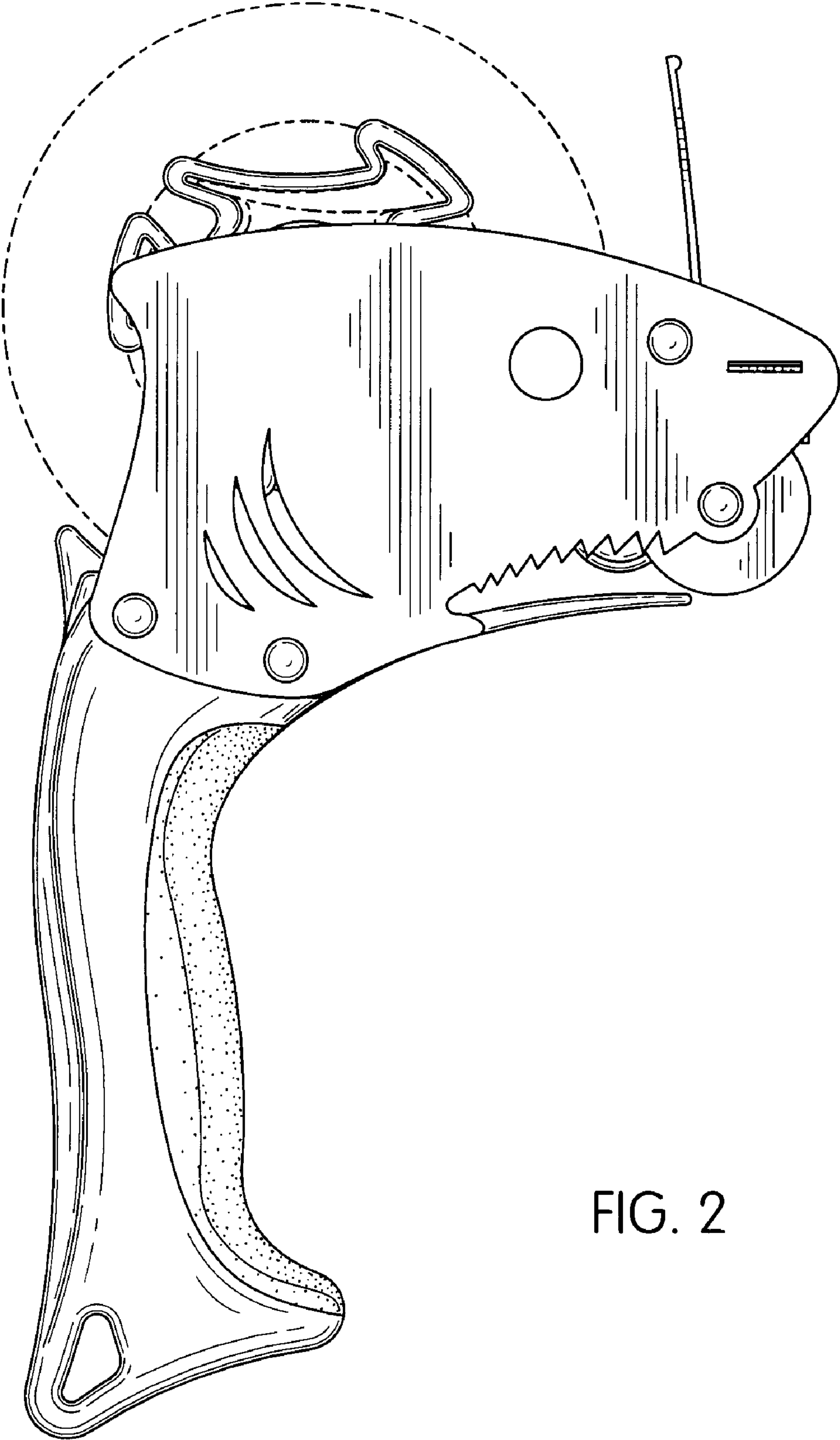


FIG. 2

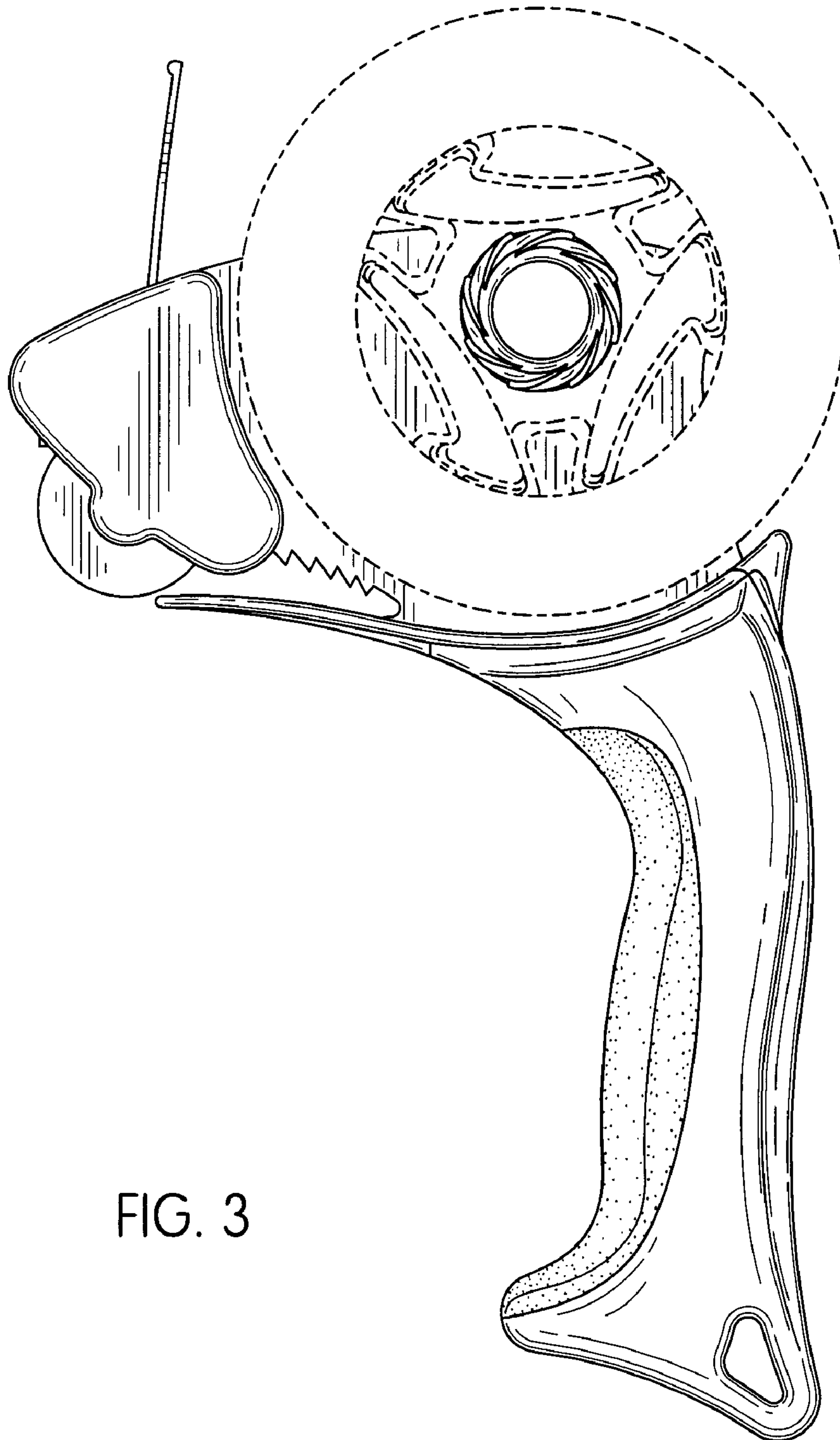


FIG. 3

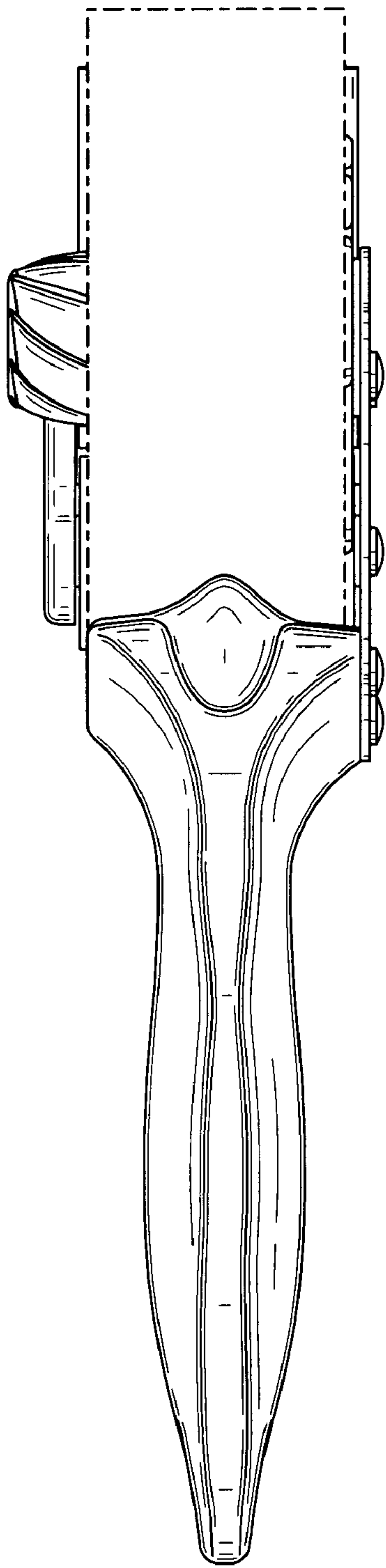


FIG. 4

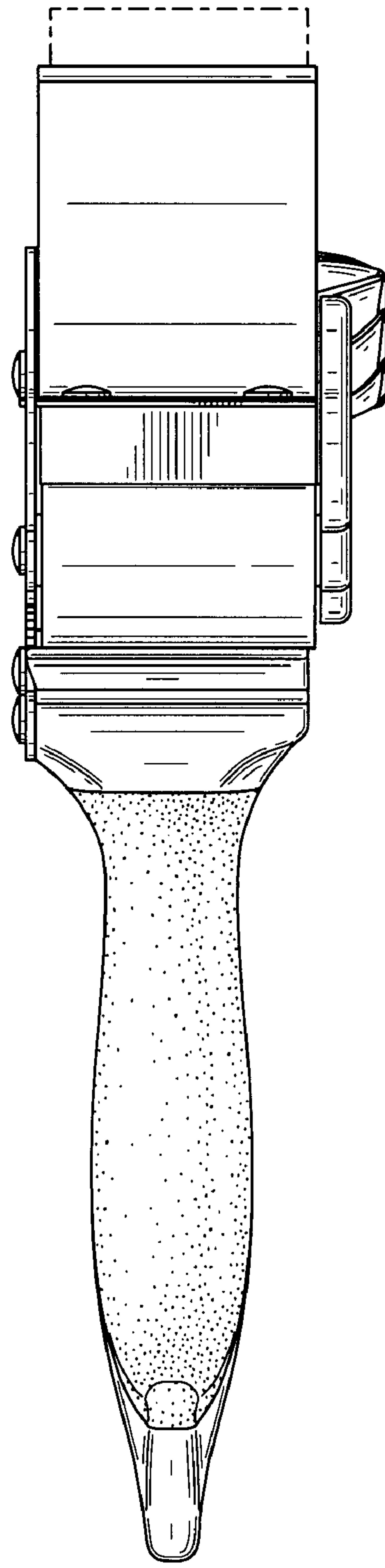


FIG. 5

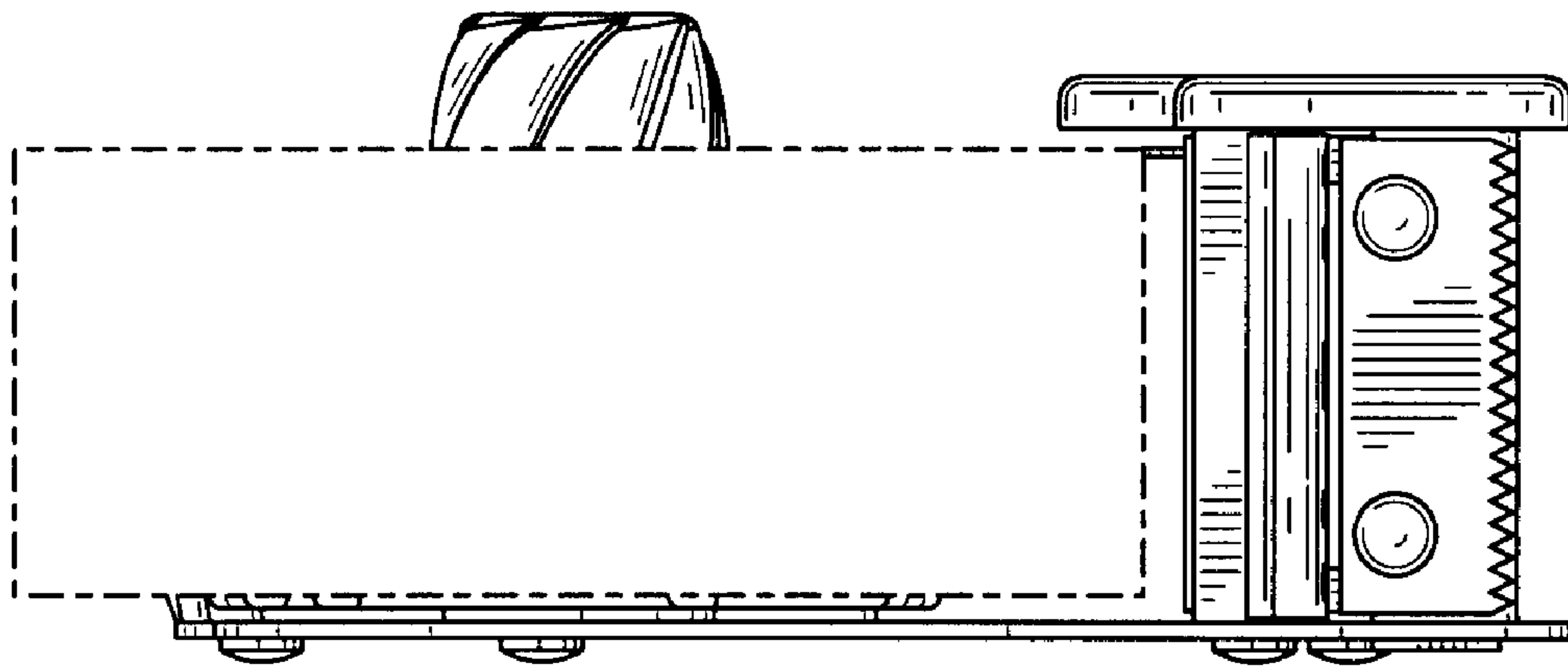


FIG. 6