

US00D520051S

(12) **United States Design Patent**
Harumoto

(10) **Patent No.:** **US D520,051 S**

(45) **Date of Patent:** **** May 2, 2006**

(54) **BELT CARTRIDGE**

(75) Inventor: **Katsumi Harumoto**, Iwatsuki (JP)

(73) Assignee: **Fuji Xerox Co., Ltd.**, Tokyo (JP)

(**) Term: **14 Years**

(21) Appl. No.: **29/214,516**

(22) Filed: **Oct. 6, 2004**

(30) **Foreign Application Priority Data**

Apr. 9, 2004 (JP) 2004-011060

(51) **LOC (8) Cl.** **16-03**

(52) **U.S. Cl.** **D18/40**

(58) **Field of Classification Search** D18/36,
D18/40, 43, 56; 222/DIG. 1; 399/24, 25,
399/27, 28, 31, 33, 110-112, 119-126, 222-224,
399/252-262

See application file for complete search history.

(56) **References Cited**

U.S. PATENT DOCUMENTS

D307,700 S * 5/1990 Sakakura et al. D18/40

D383,159 S * 9/1997 Yoshikado D18/56

5,794,102 A * 8/1998 Coffey et al. D18/43

6,181,904 B1 * 1/2001 Burdette et al. 399/260

D492,958 S * 7/2004 Karakama et al. D18/40

6,826,380 B1 * 11/2004 Karakama et al. 399/111

D500,335 S * 12/2004 Karakama et al. D18/40

D500,515 S * 1/2005 Karakama et al. D18/40

D509,533 S * 9/2005 Karakama et al. D18/40

* cited by examiner

Primary Examiner—Caron D. Veynar

Assistant Examiner—Garth Rademaker

(74) *Attorney, Agent, or Firm*—Oliff & Berridge, PLC

(57) **CLAIM**

The ornamental design for a belt cartridge, as shown.

DESCRIPTION

FIG. 1 is a perspective view of the rear, top and left side of a belt cartridge showing my new design;

FIG. 2 is a perspective view of the front, bottom and left side thereof, at an enlarged scale;

FIG. 3 is a front view thereof;

FIG. 4 is a rear view thereof;

FIG. 5 is a top plan view thereof;

FIG. 6 is a bottom view thereof;

FIG. 7 is a right side view thereof; and,

FIG. 8 is a left side view thereof.

1 Claim, 8 Drawing Sheets

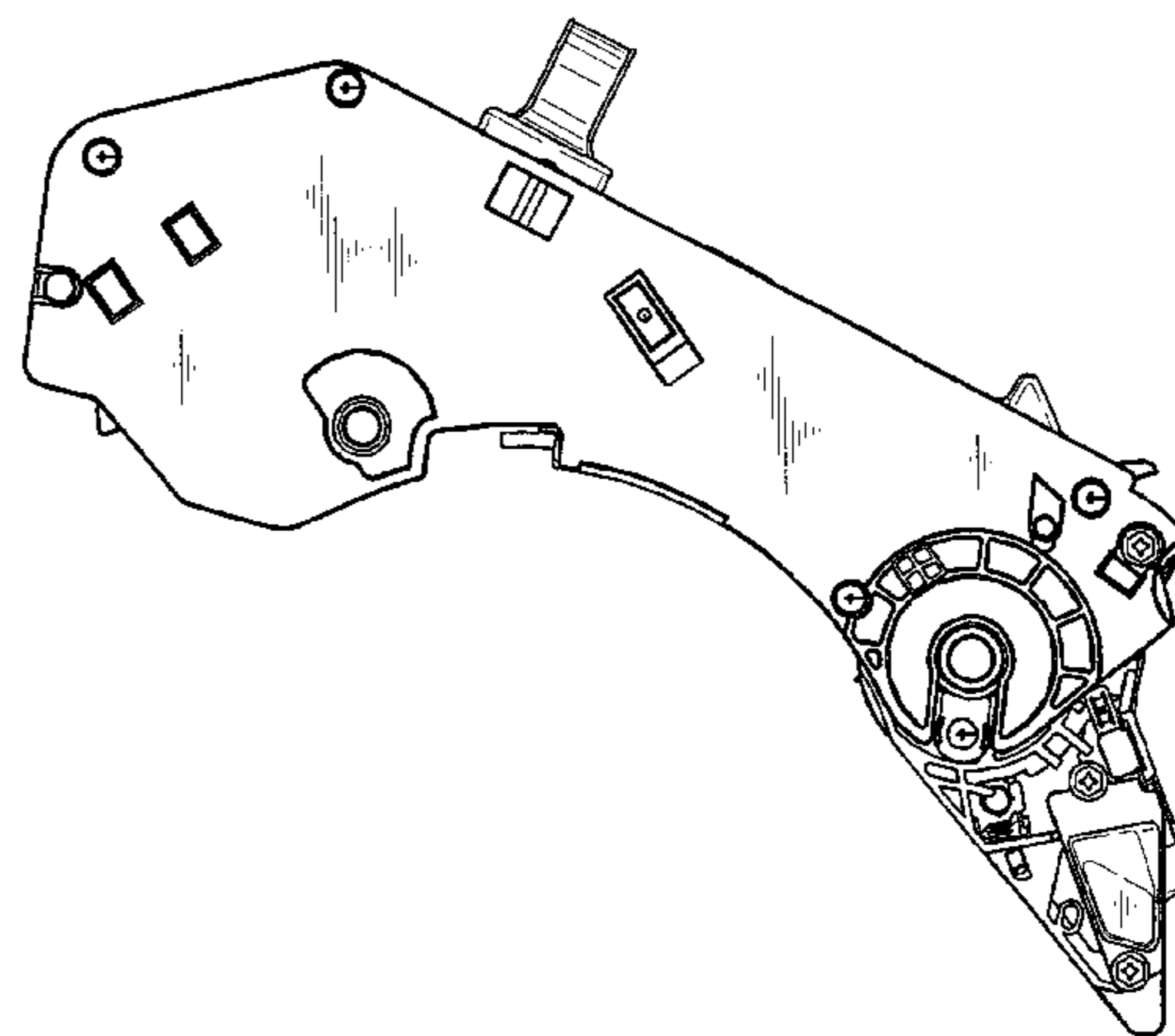
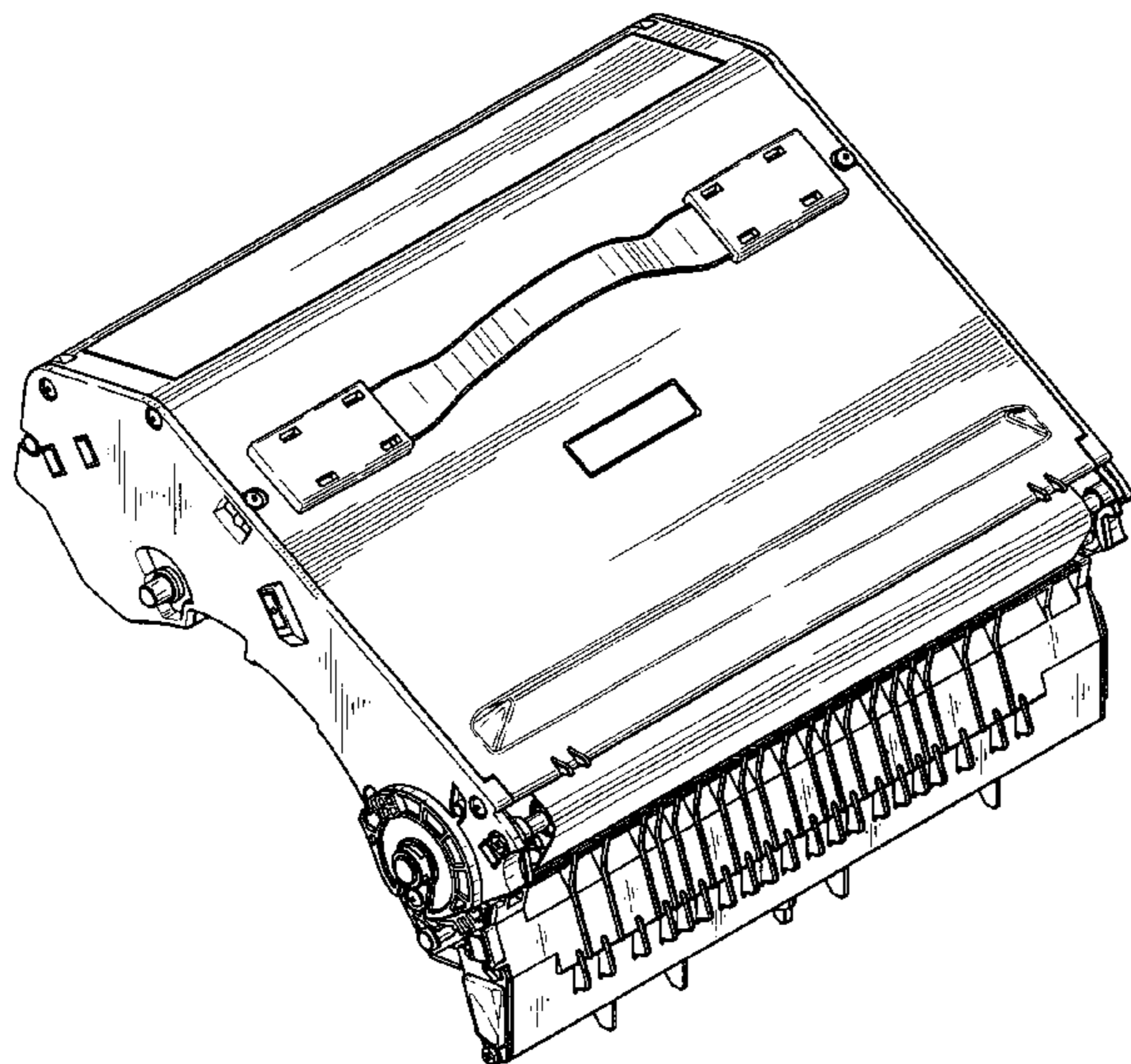
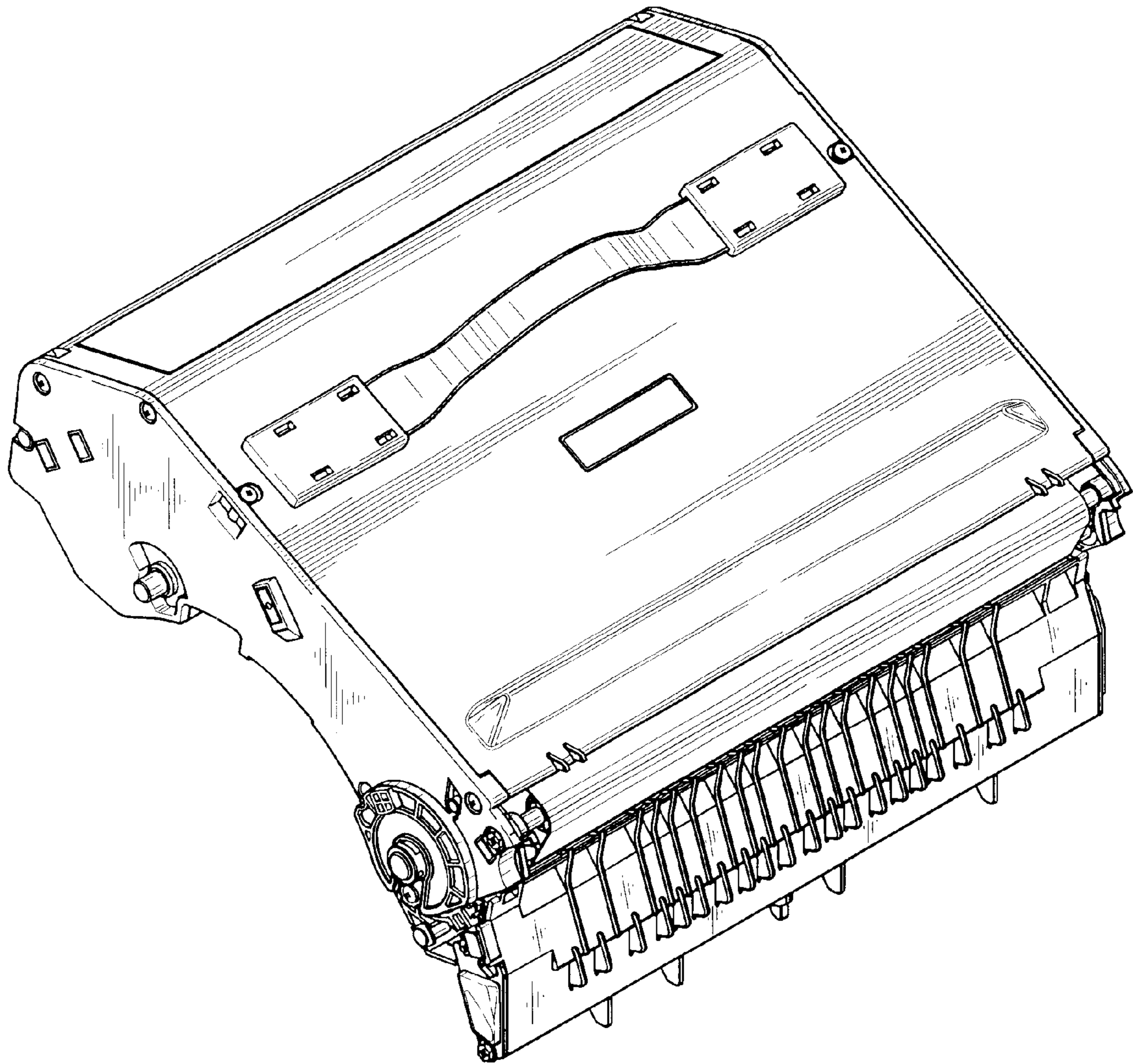


FIG. 1



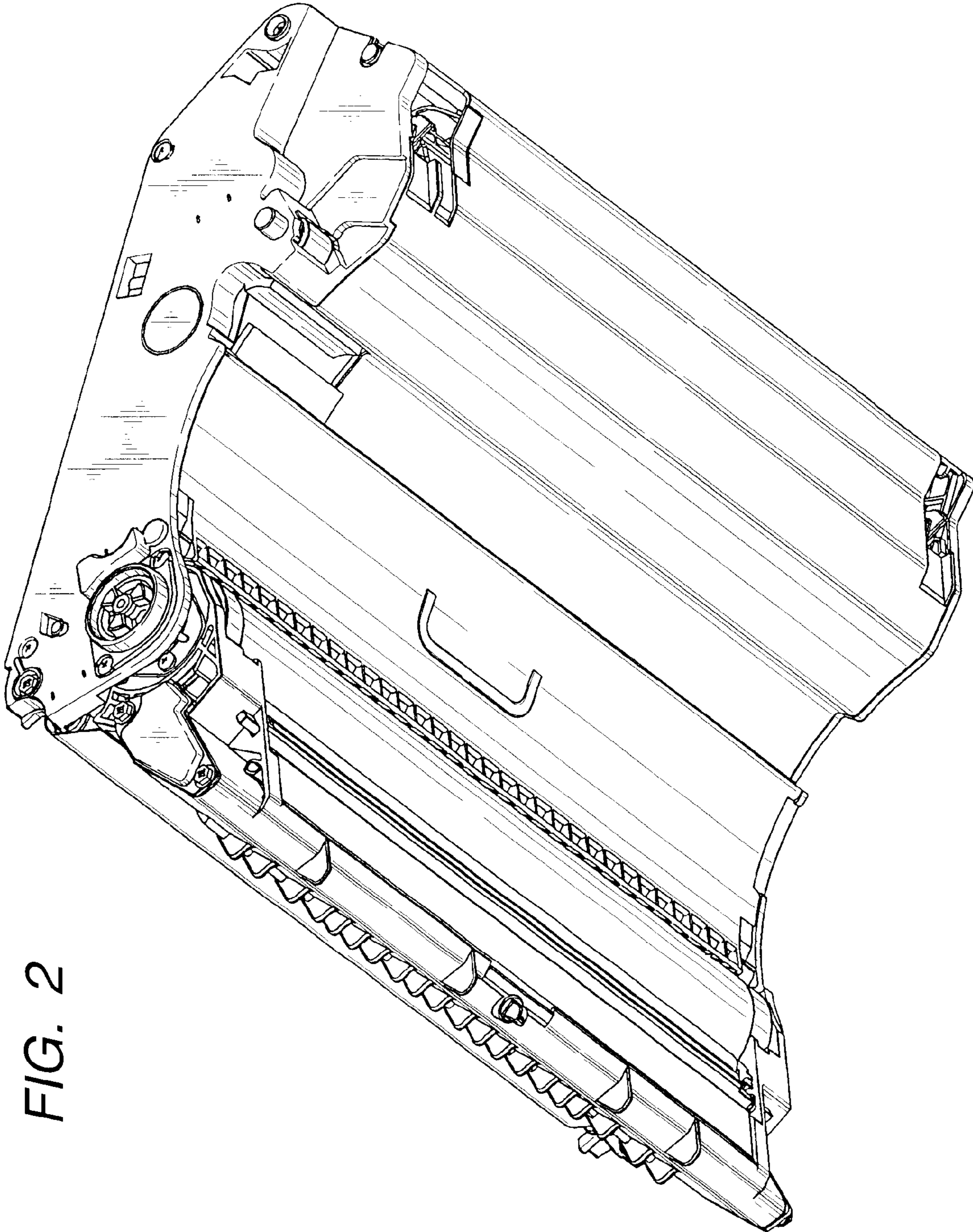


FIG. 2

FIG. 3

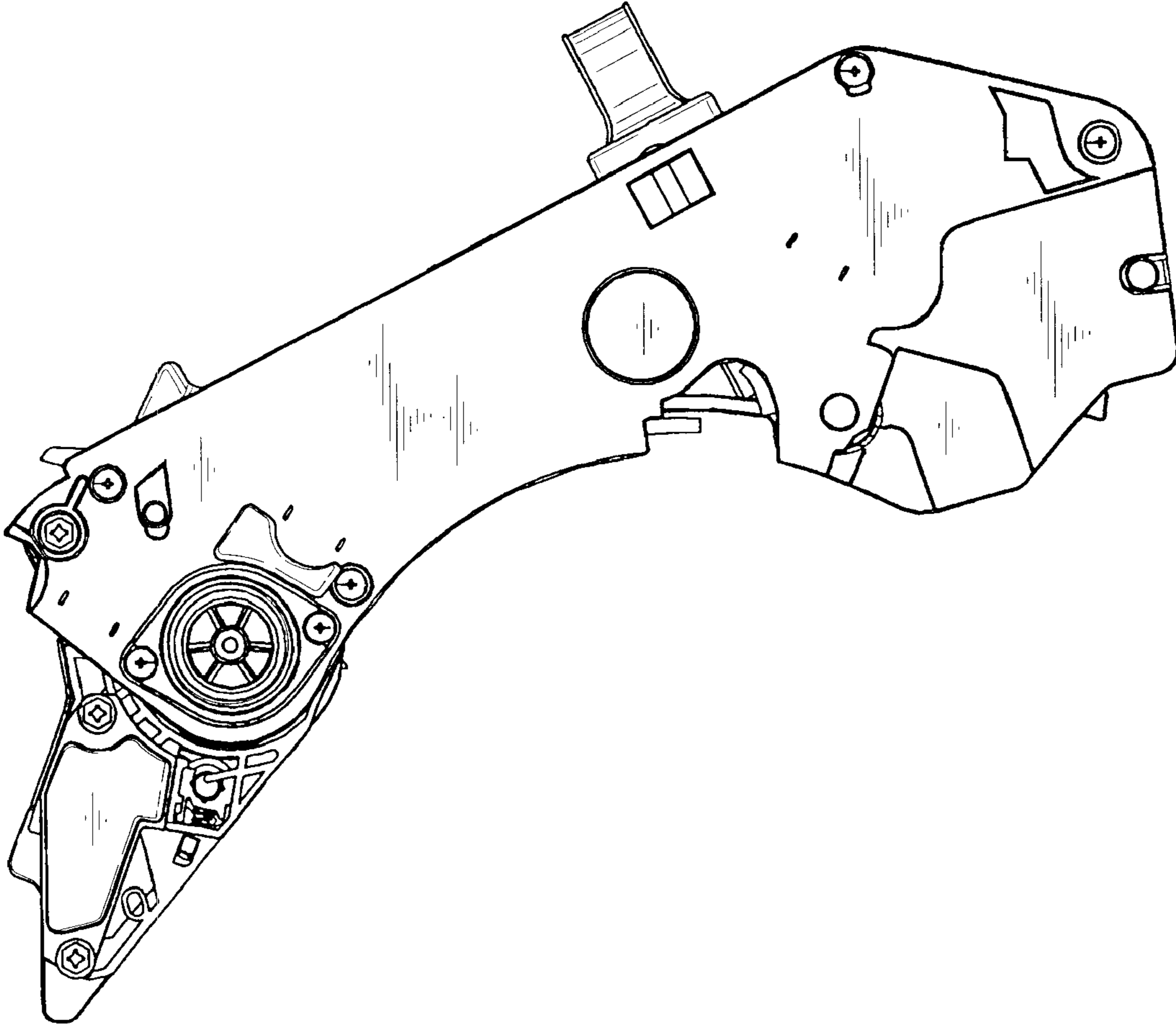


FIG. 4

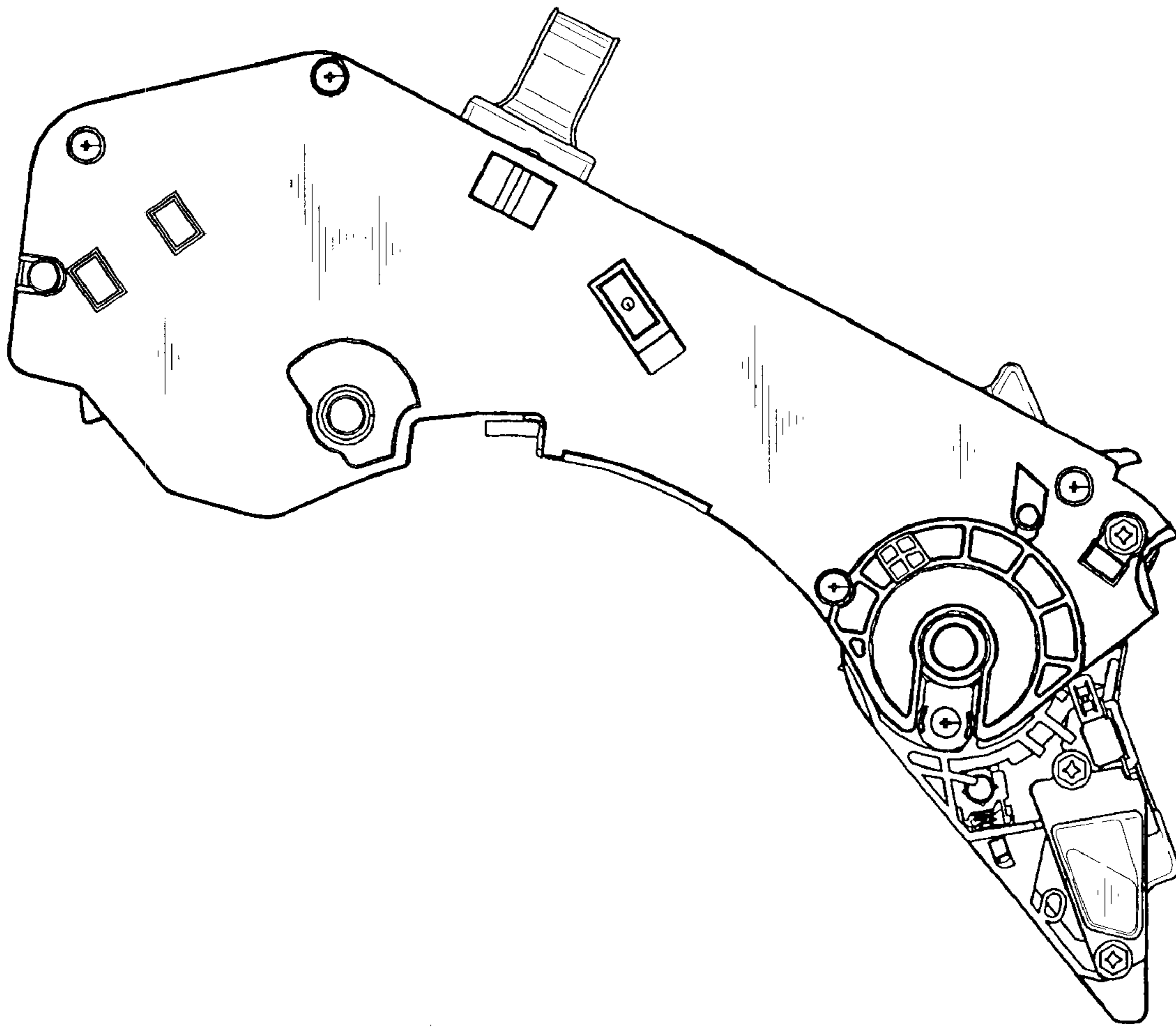


FIG. 5

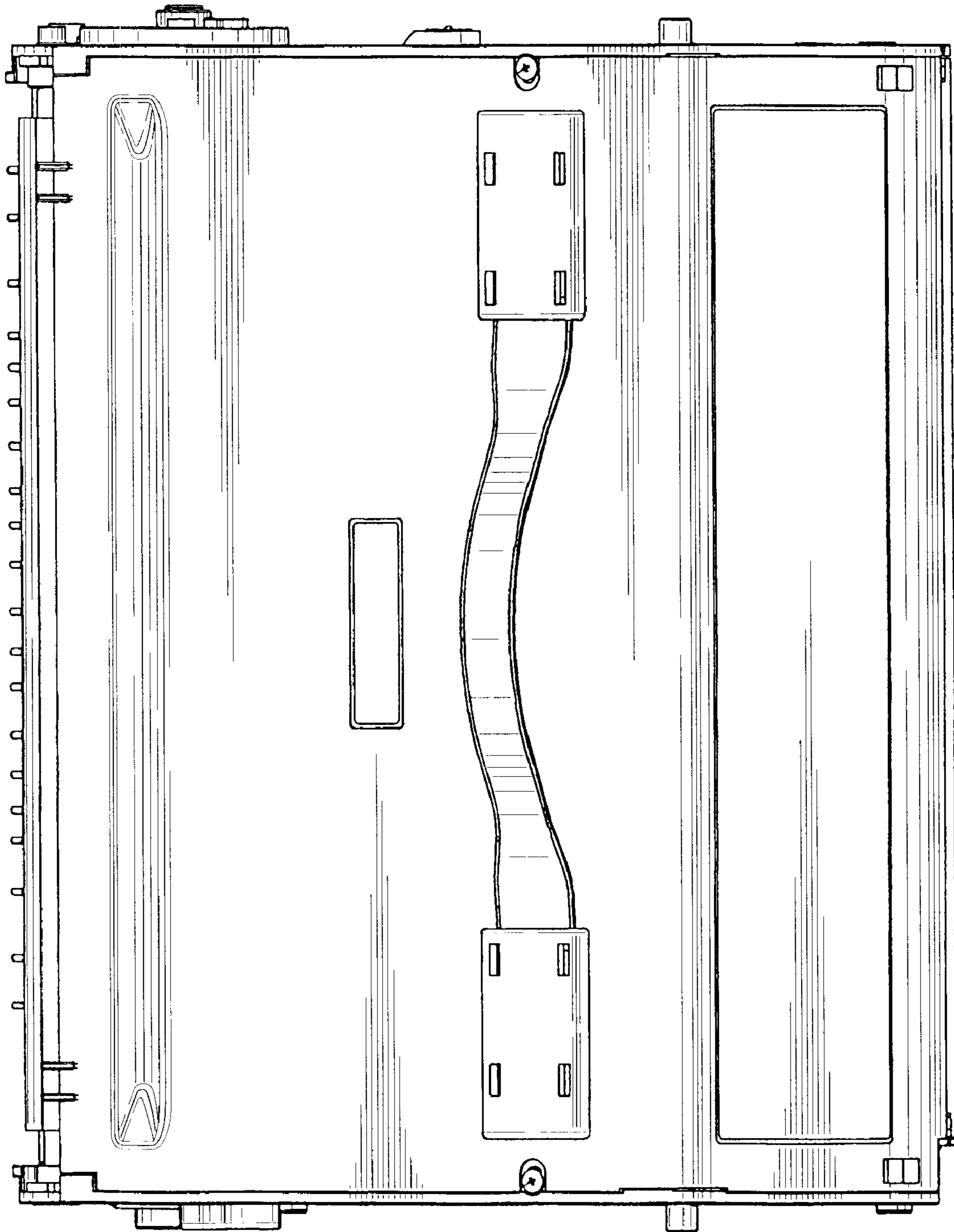


FIG. 6

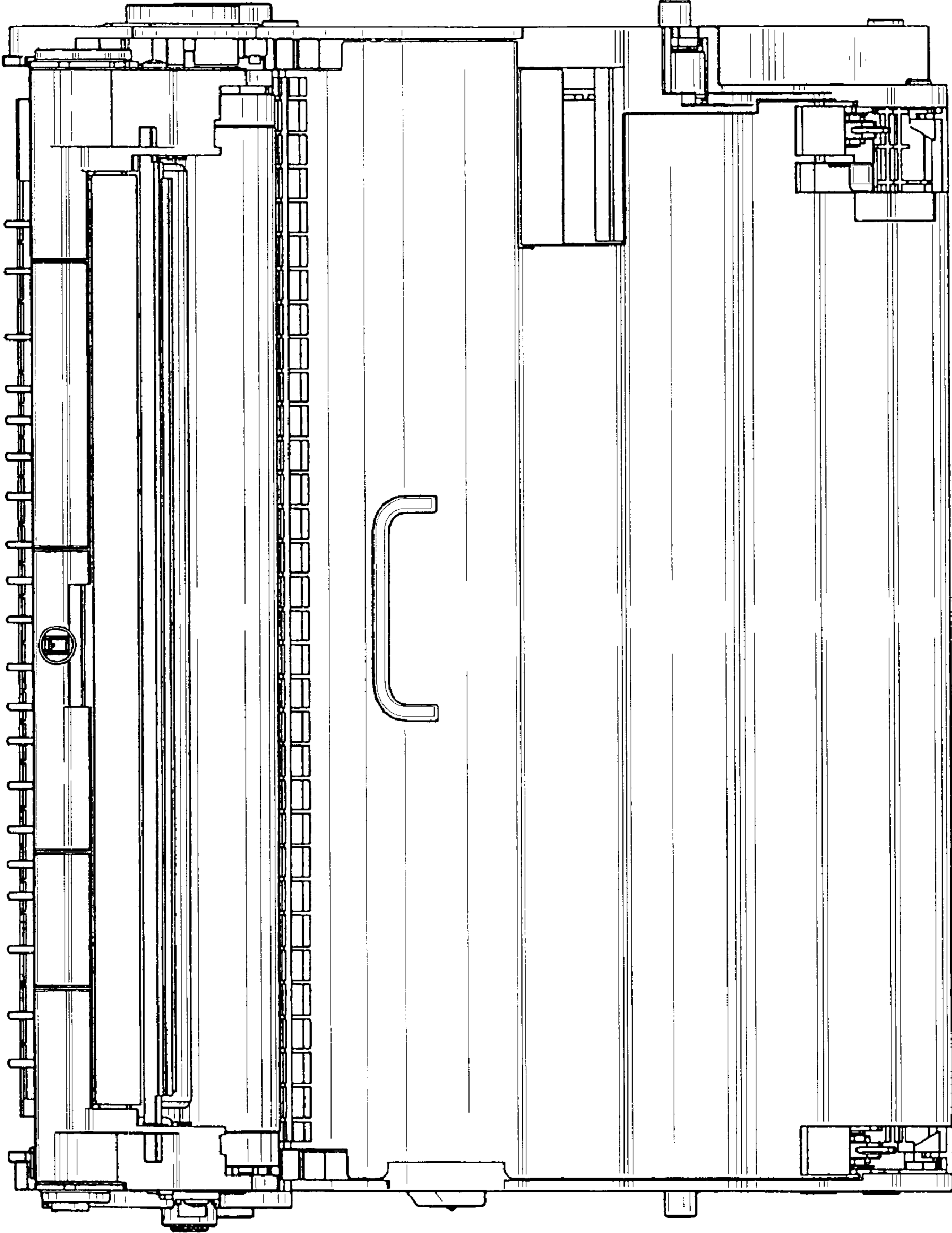


FIG. 7

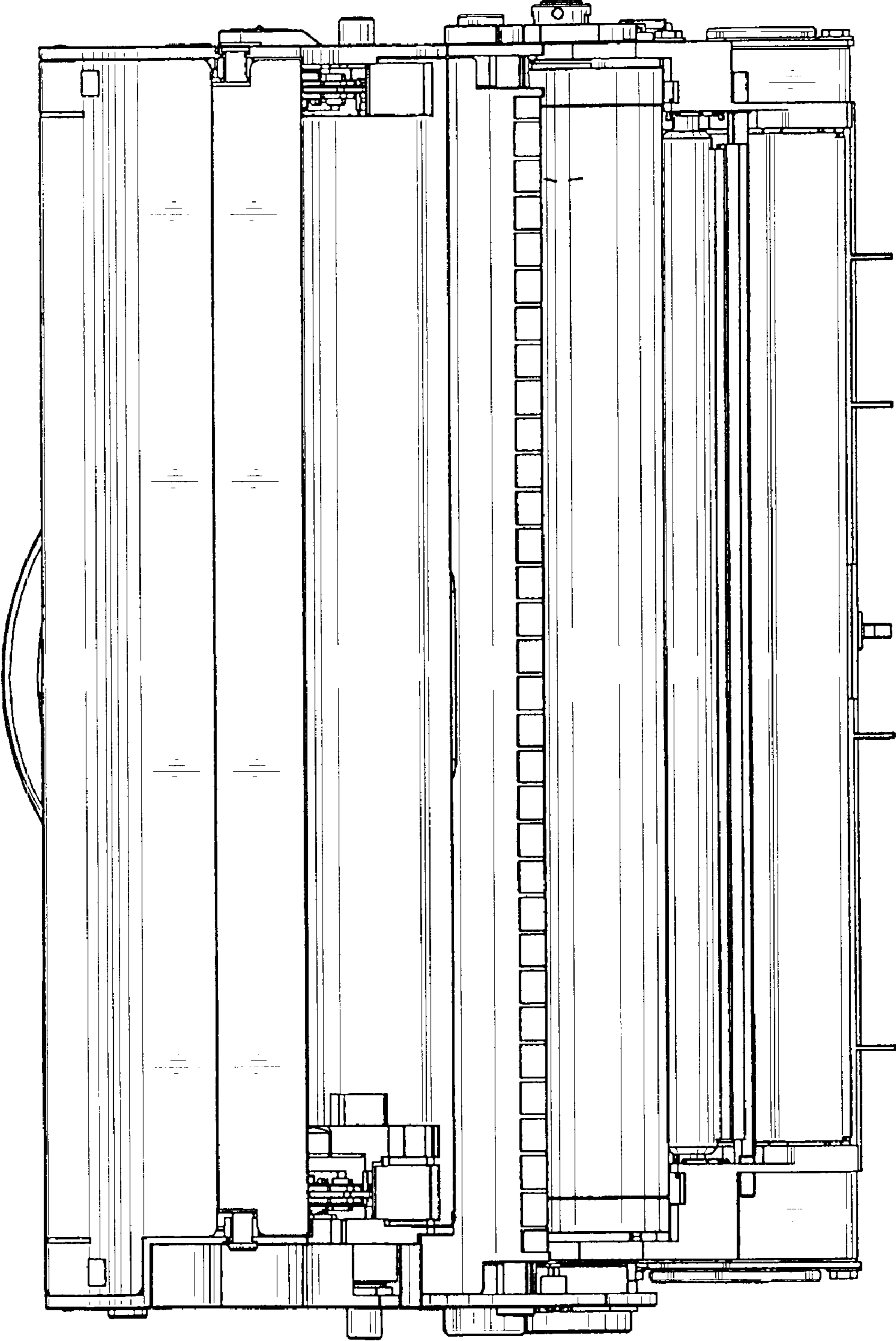


FIG. 8

