



US00D520048S

(12) **United States Design Patent**
Krozack et al.

(10) **Patent No.:** **US D520,048 S**

(45) **Date of Patent:** **** May 2, 2006**

(54) **SET OF PICKUP COVERS FOR AN ELECTRICAL STRINGED MUSICAL INSTRUMENT**

6,911,590 B1 * 6/2005 Childress 84/298

* cited by examiner

(75) Inventors: **Edwin Krozack**, Chester, MD (US);
Paul Reed Smith, Lothian, MD (US)

Primary Examiner—Adir Aronovich

(74) *Attorney, Agent, or Firm*—Barnes & Thornburg LLP

(73) Assignee: **Paul Reed Smith Guitars, Inc.**,
Stevensville, MD (US)

(57) **CLAIM**

(**) Term: **14 Years**

The ornamental design for a set of pickup covers for an electrical stringed musical instrument, as shown and described.

(21) Appl. No.: **29/197,302**

DESCRIPTION

(22) Filed: **Jan. 14, 2004**

FIG. 1 is a front elevational view of a set of pickup covers for an electrical stringed musical instrument showing our new design.

(51) **LOC (8) Cl.** **17-03**

(52) **U.S. Cl.** **D17/20**

(58) **Field of Classification Search** D17/14,

D17/15, 18–20; 84/267, 275, 290, 291, 298,

84/299, 307, 723, 726, 728

See application file for complete search history.

FIG. 2 is a perspective view of a single pickup cover of FIG. 1, double pickup covers are omitted for ease of illustration; and,

FIG. 3 is a perspective view of a double pickup cover of FIG. 1, a single pickup cover is omitted for ease of illustration.

The claimed design is embodied in a set of pickup covers for an electrical musical instrument illustrated in FIG. 1. The single and double pickup covers are shown separately in FIGS. 2 and 3 in order to disclose aspects of the design that are not apparent from the view showing a set of pickup covers.

The broken line showing of the indeterminate symbolic outline of a guitar body is shown to illustrate environment only and forms no part of the claimed design.

(56) **References Cited**

U.S. PATENT DOCUMENTS

D188,348 S * 7/1960 Berglund D17/20

D283,899 S * 5/1986 Peavey D17/20

D287,602 S * 1/1987 Smith et al. D17/20

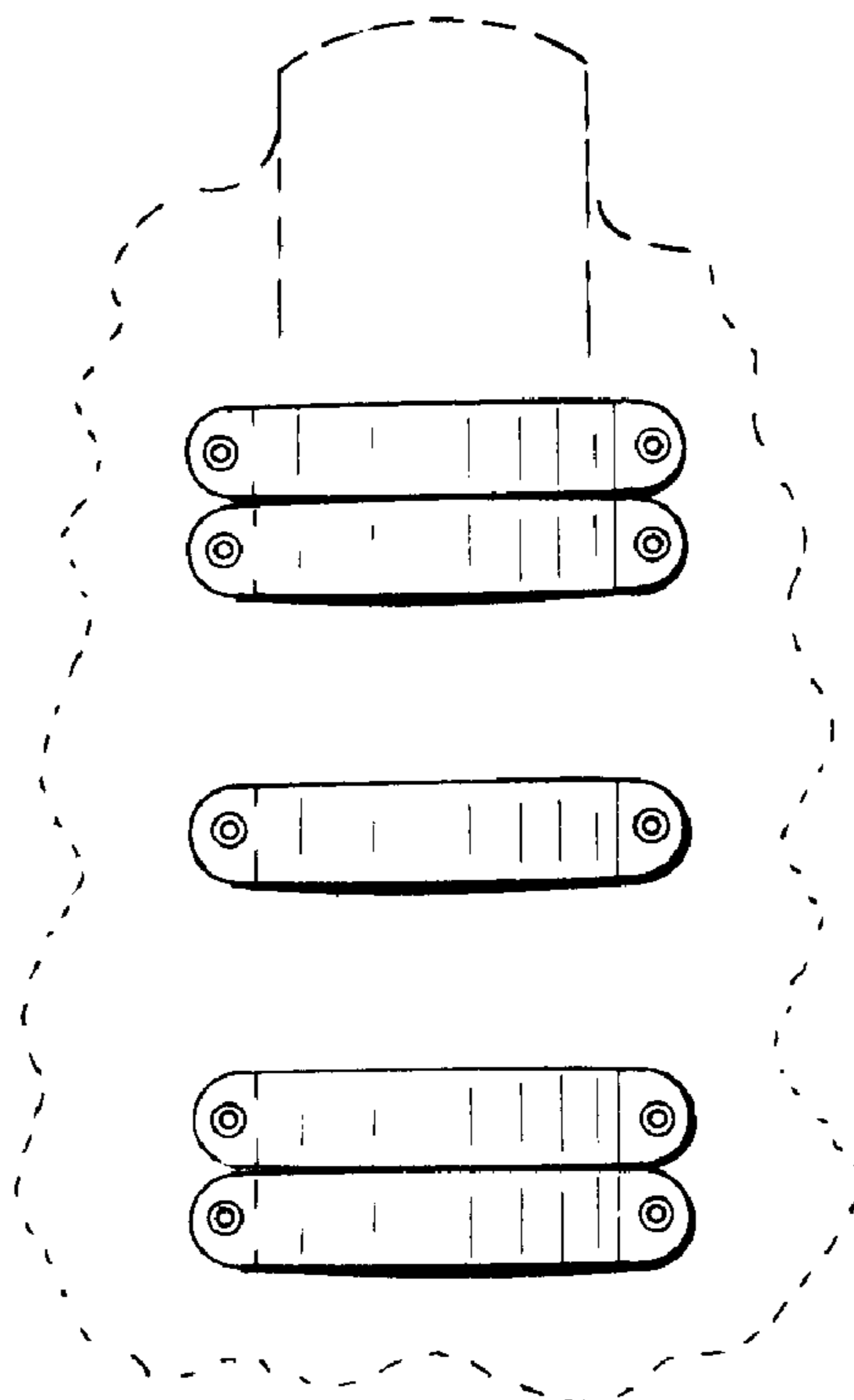
5,111,728 A * 5/1992 Blucher et al. 84/726

D381,355 S * 7/1997 Frank-Braun D17/20

6,613,968 B1 * 9/2003 Devereaux et al. 84/299

6,849,792 B1 * 2/2005 Yeakel 84/299

1 Claim, 2 Drawing Sheets



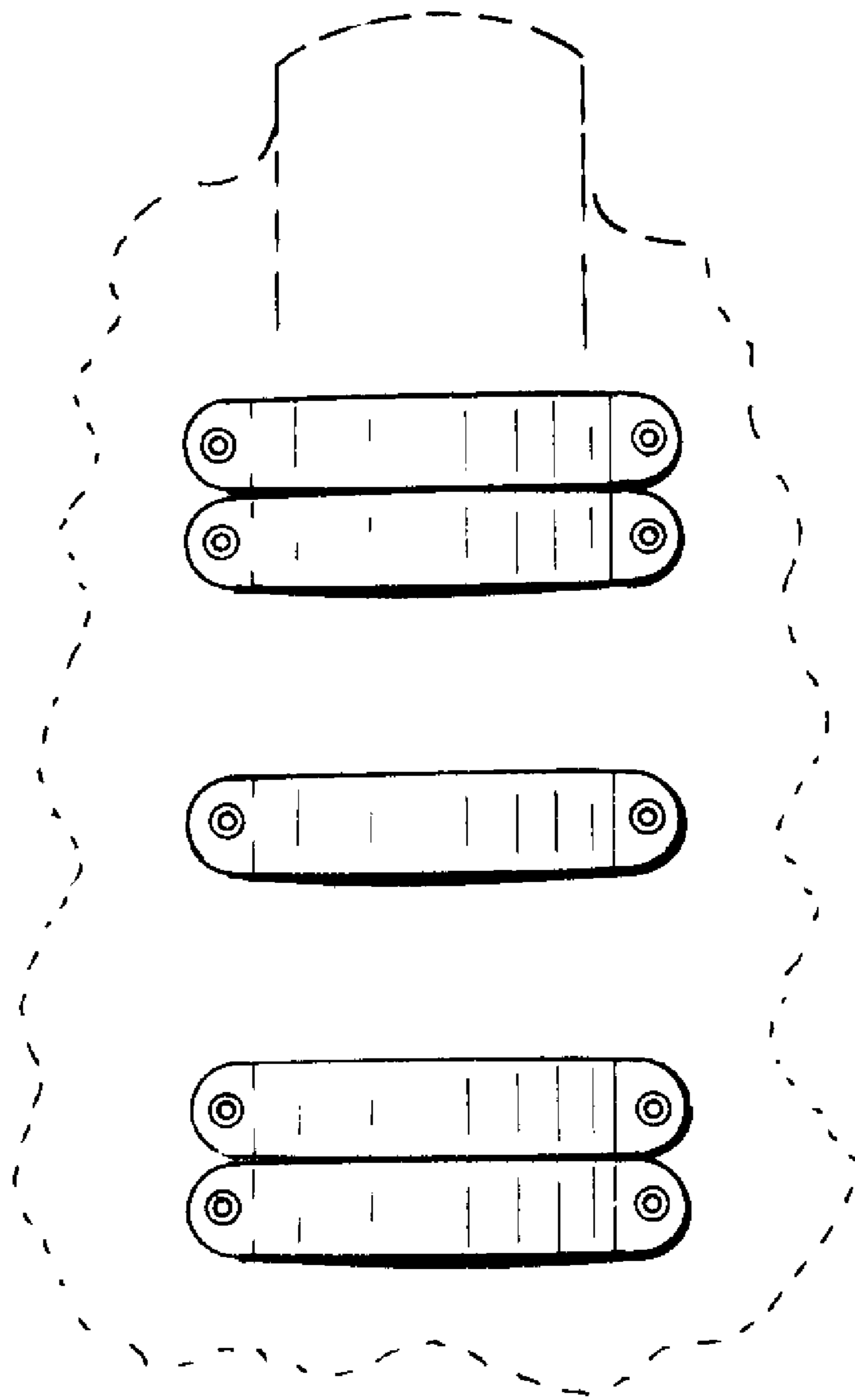


FIG. 1

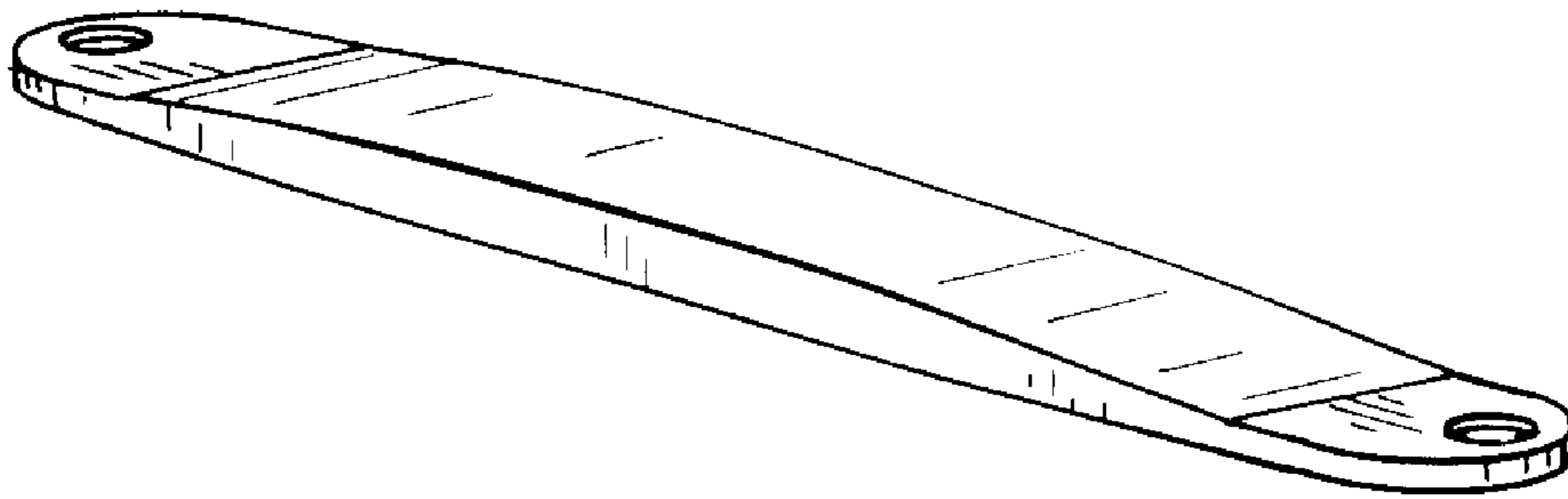


FIG. 2

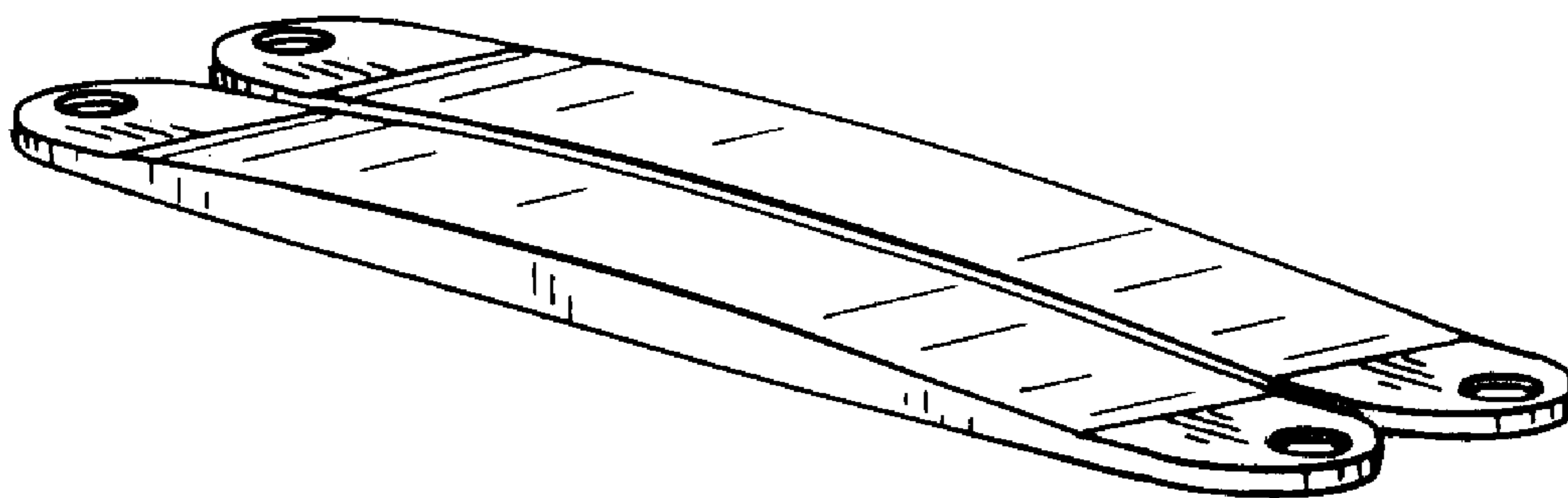


FIG. 3