

US00D520046S

(12) **United States Design Patent**
Miyagawa et al.

(10) **Patent No.:** **US D520,046 S**

(45) **Date of Patent:** **** May 2, 2006**

(54) **SCREEN**

JP 2002-229126 8/2002

(75) Inventors: **Yukio Miyagawa**, Tokyo (JP);
Teruyuki Abe, Tokyo (JP); **Kazuharu Seki**, Tokyo (JP)

* cited by examiner

Primary Examiner—Adir Aronovich
(74) *Attorney, Agent, or Firm*—Wenderoth, Lind & Ponack, L.L.P.

(73) Assignee: **Izumi-Cosmo Co., Ltd.**, Osaka (JP)

(**) Term: **14 Years**

(57) **CLAIM**

The ornamental design for a screen, as shown and described.

(21) Appl. No.: **29/193,999**

DESCRIPTION

(22) Filed: **Nov. 19, 2003**

(30) **Foreign Application Priority Data**

May 20, 2003 (JP) 2003-013954

(51) **LOC (8) Cl.** **16-05**

(52) **U.S. Cl.** **D16/241**

(58) **Field of Classification Search** D16/241;
D20/10; 160/24; 359/443, 461; 396/3, 4
See application file for complete search history.

FIG. 1 is a front elevational view of the screen showing the new design;
FIG. 2 is a rear elevational view thereof;
FIG. 3 is a top plan view thereof;
FIG. 4 is a bottom plan view thereof;
FIG. 5 is a right side elevational view thereof;
FIG. 6 is a left side elevational view thereof;
FIG. 7 is a rear perspective view thereof;
FIG. 8 is an enlarged top perspective view of the screen in a rolled up condition;
FIG. 9 is an enlarged bottom perspective view of the screen in a rolled up condition;
FIG. 10 is a rear perspective view of the screen following a first step of extending the post portion;
FIG. 11 is a rear perspective view of the screen following a second step of extending the post portion;
FIG. 12 is a rear perspective view of the screen following a third step of extending the post portion; and,
FIG. 13 is a rear perspective view of the screen following a fourth step of extending the post portion.

(56) **References Cited**

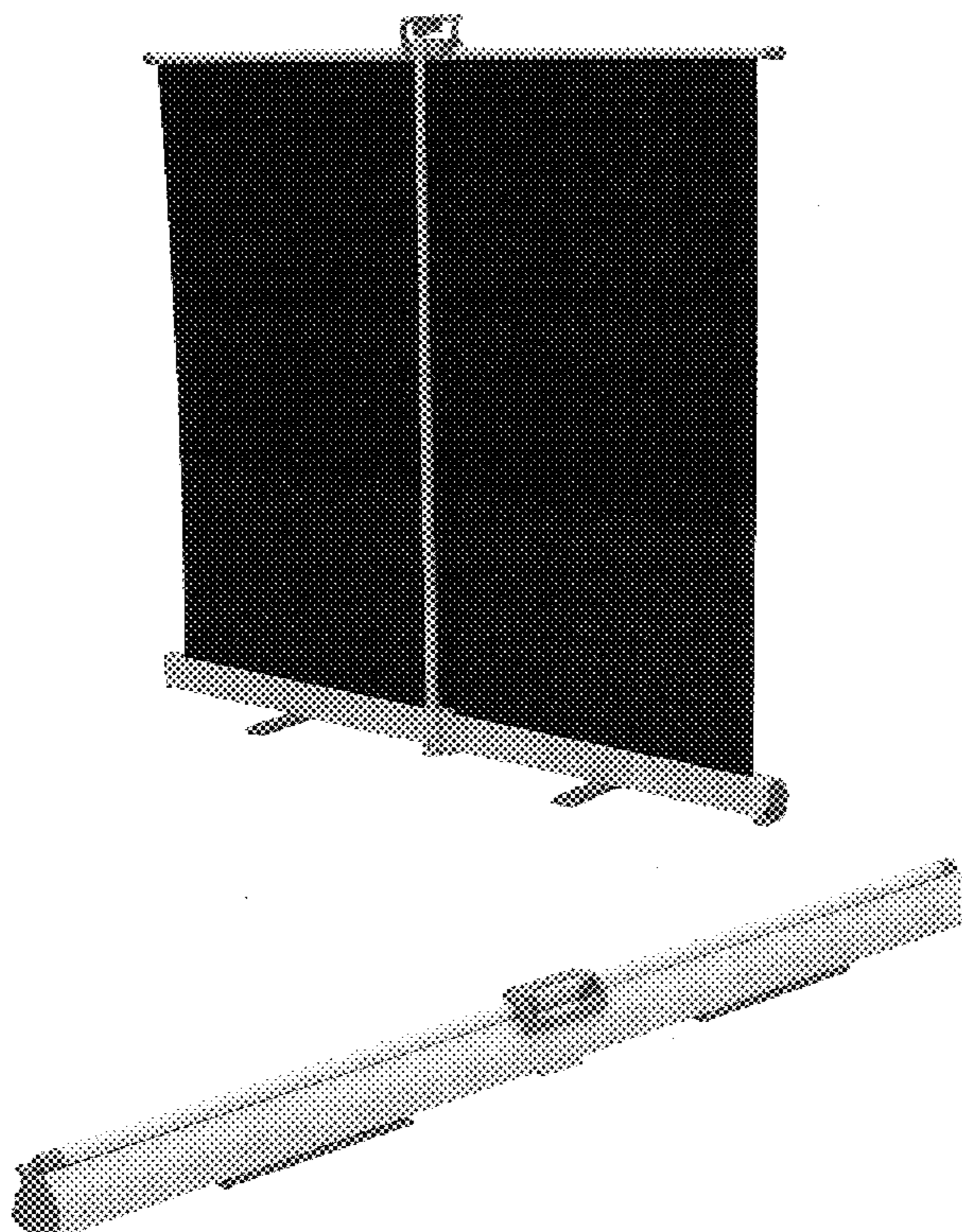
U.S. PATENT DOCUMENTS

- 3,087,535 A * 4/1963 Muller 160/24
- 3,251,264 A * 5/1966 Jacobson 359/461
- D323,338 S * 1/1992 Court D16/241
- D366,055 S * 1/1996 Matsunaga et al. D16/241
- 6,191,886 B1 * 2/2001 Sinkoff 359/443
- D490,835 S * 6/2004 Kotera D16/241

FOREIGN PATENT DOCUMENTS

JP 51-24240 2/1976

1 Claim, 11 Drawing Sheets



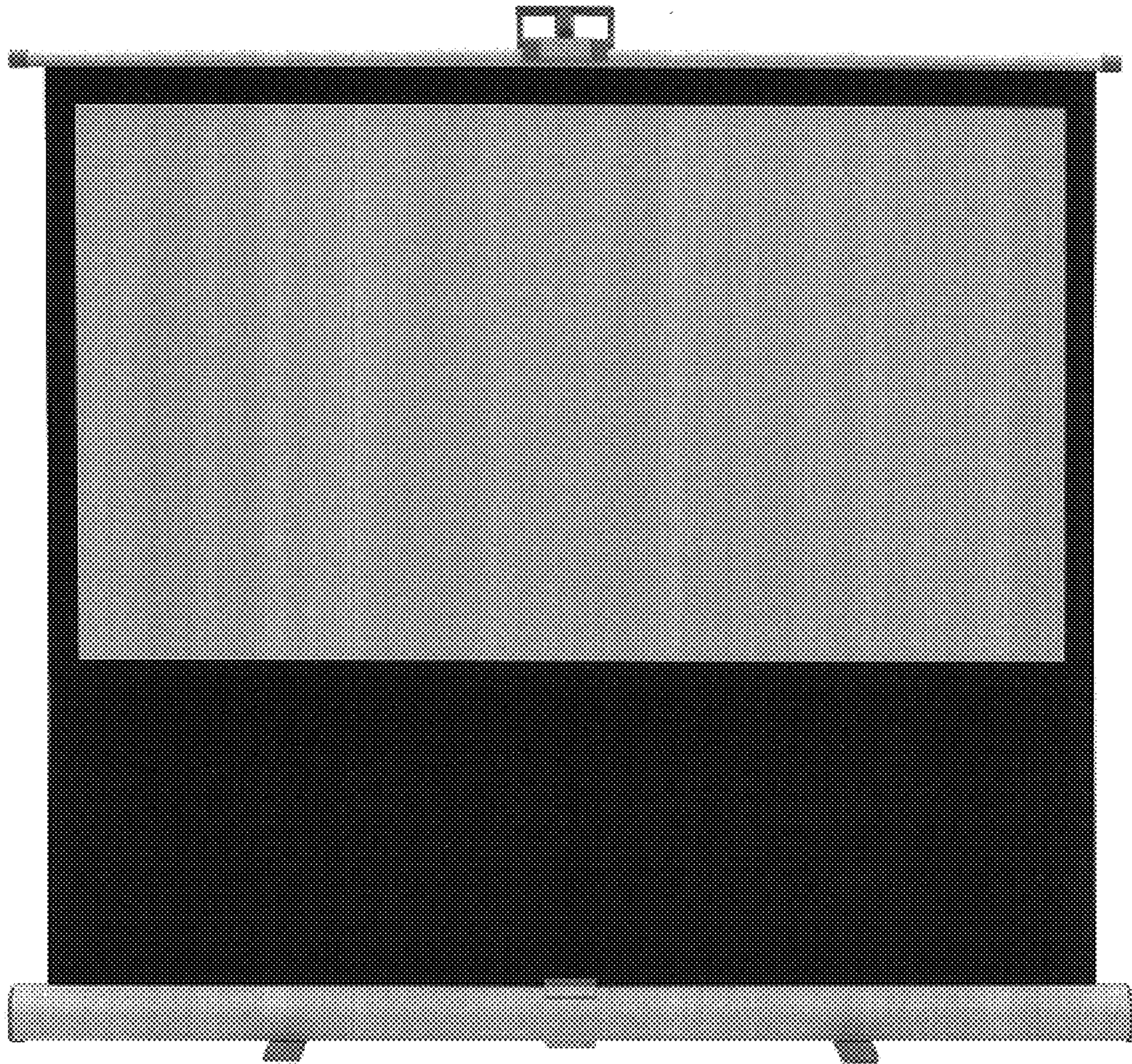


FIG. 1

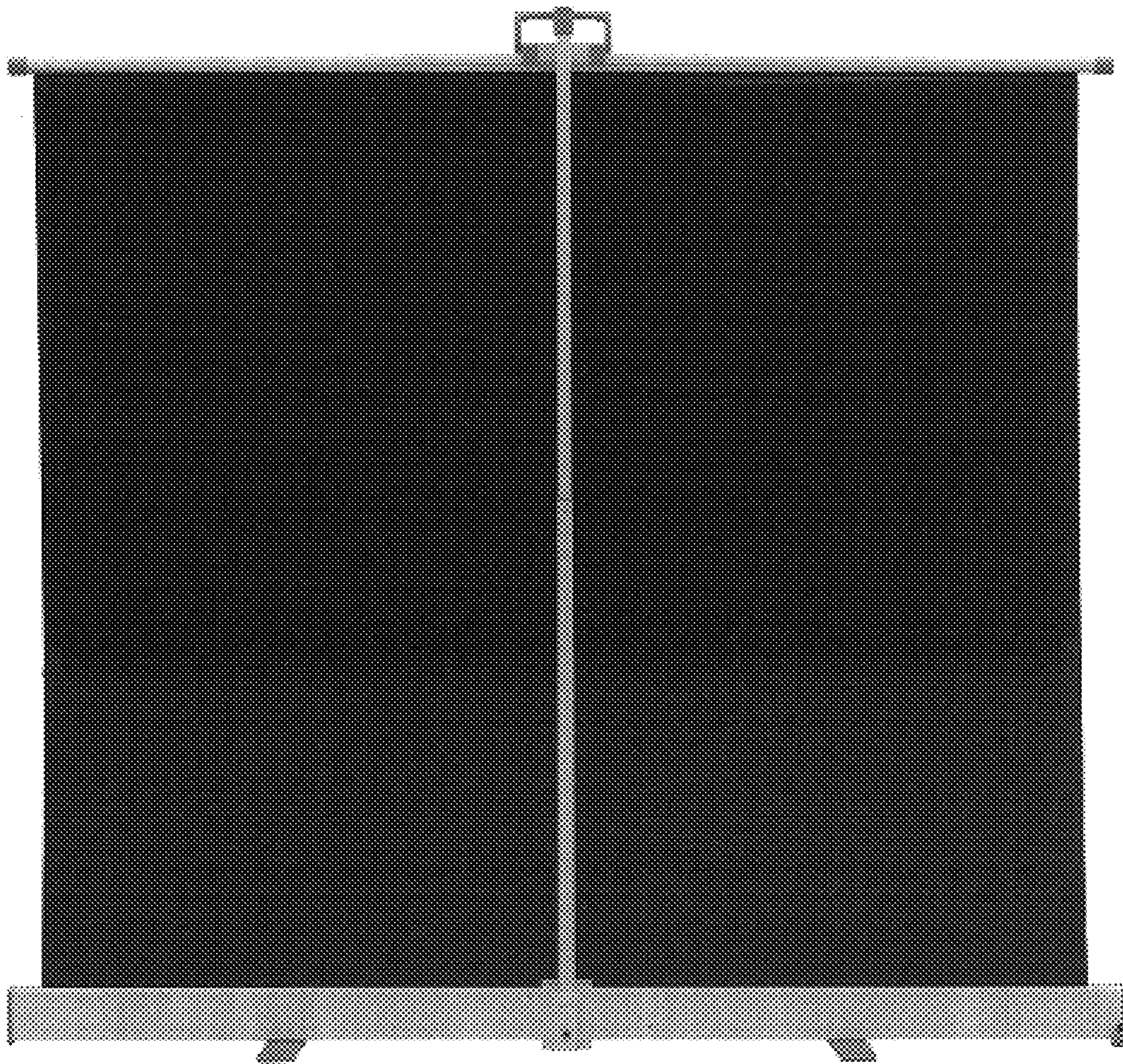


FIG. 2

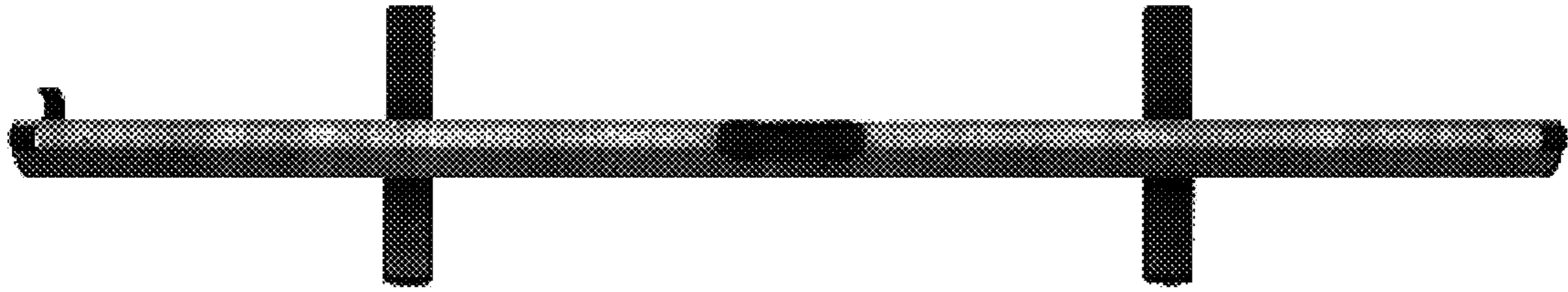


FIG. 3

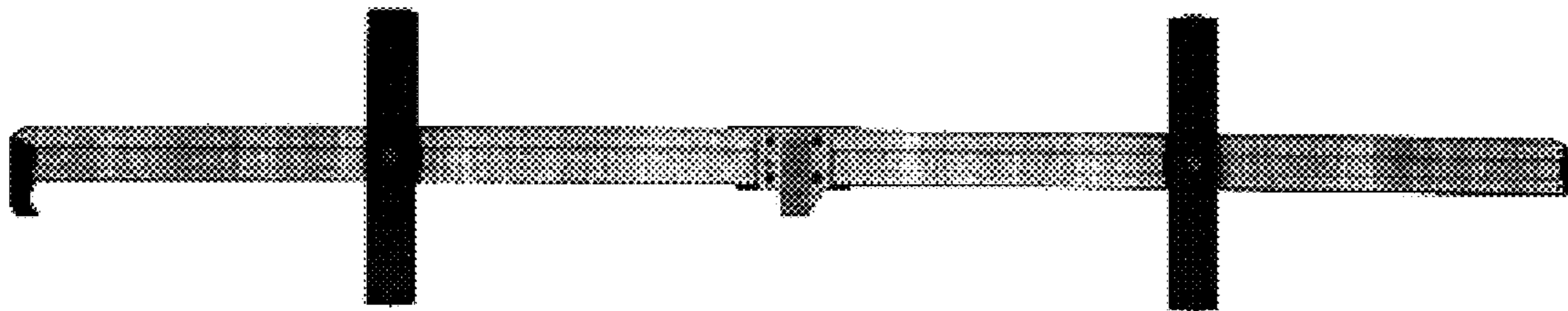


FIG. 4

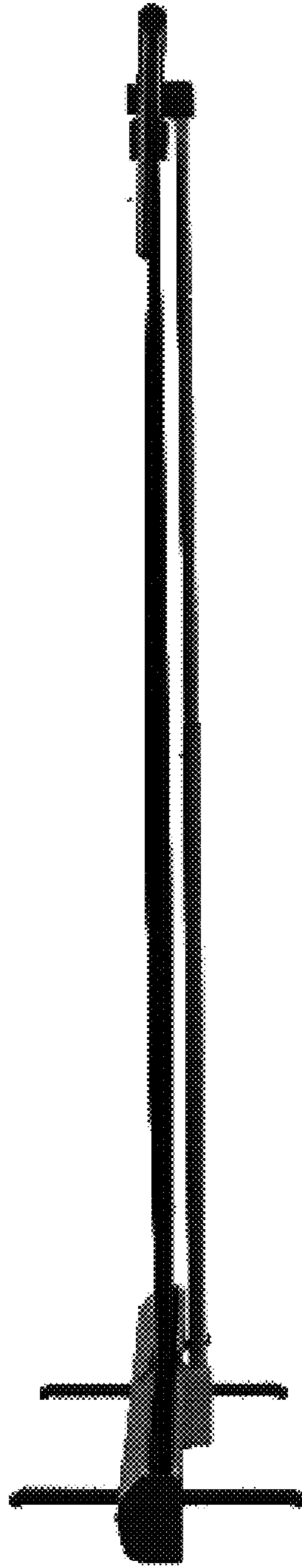


FIG. 5

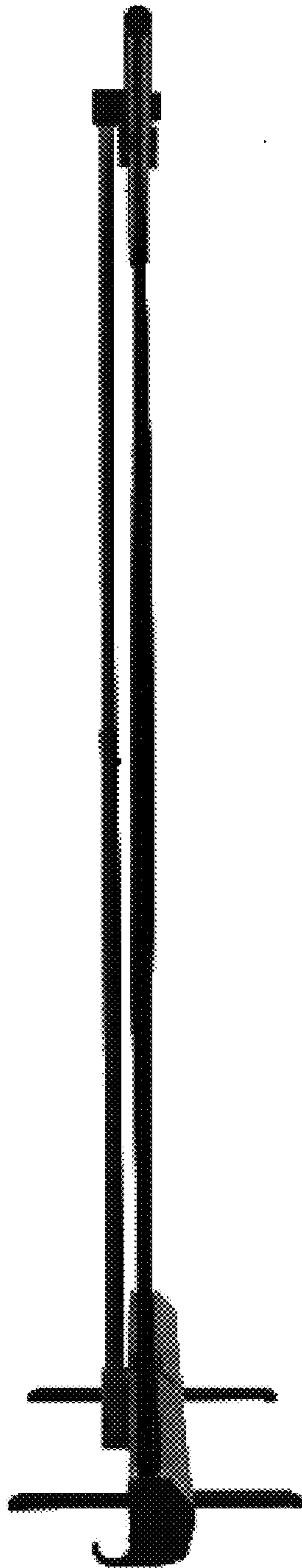


FIG. 6

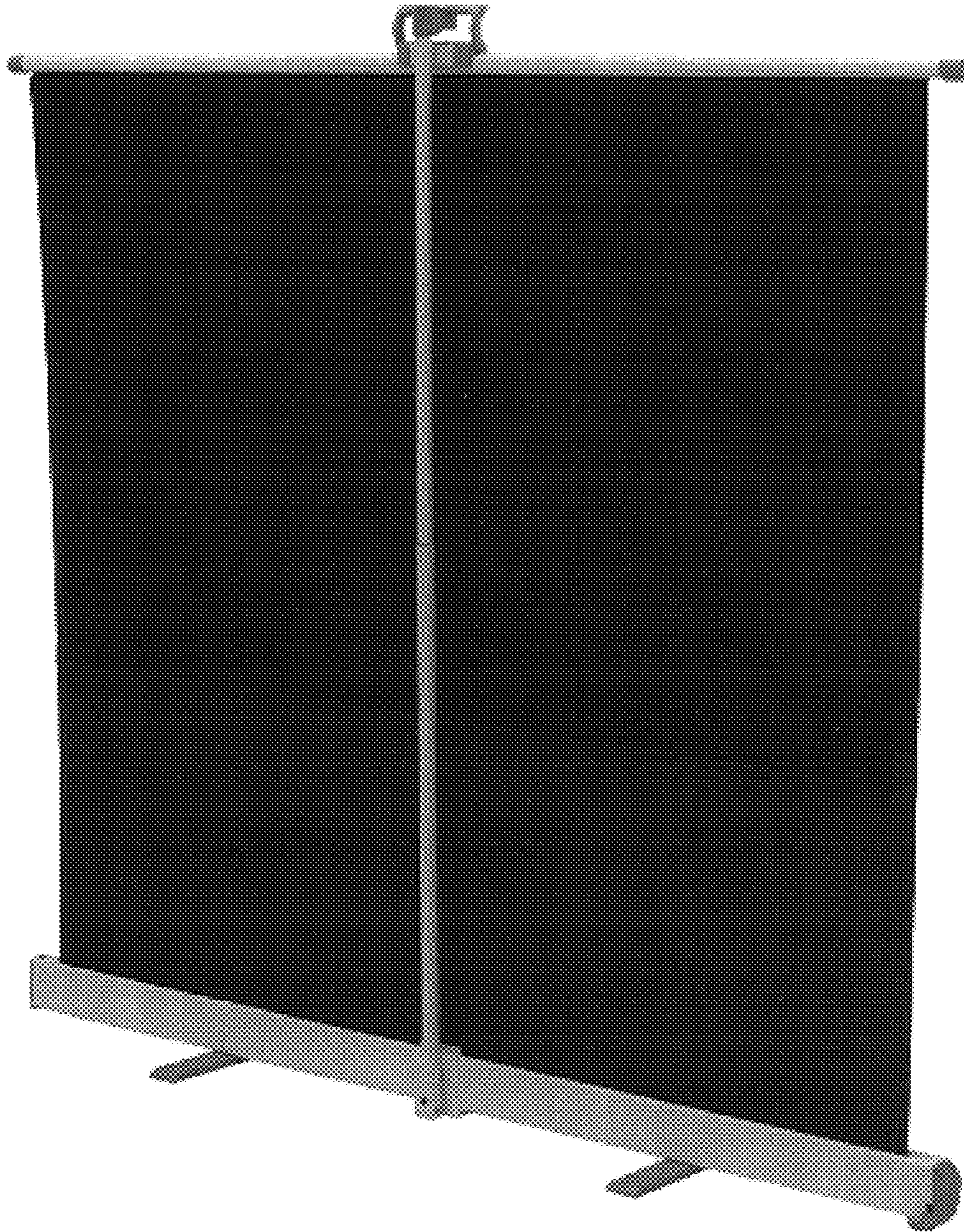


FIG. 7

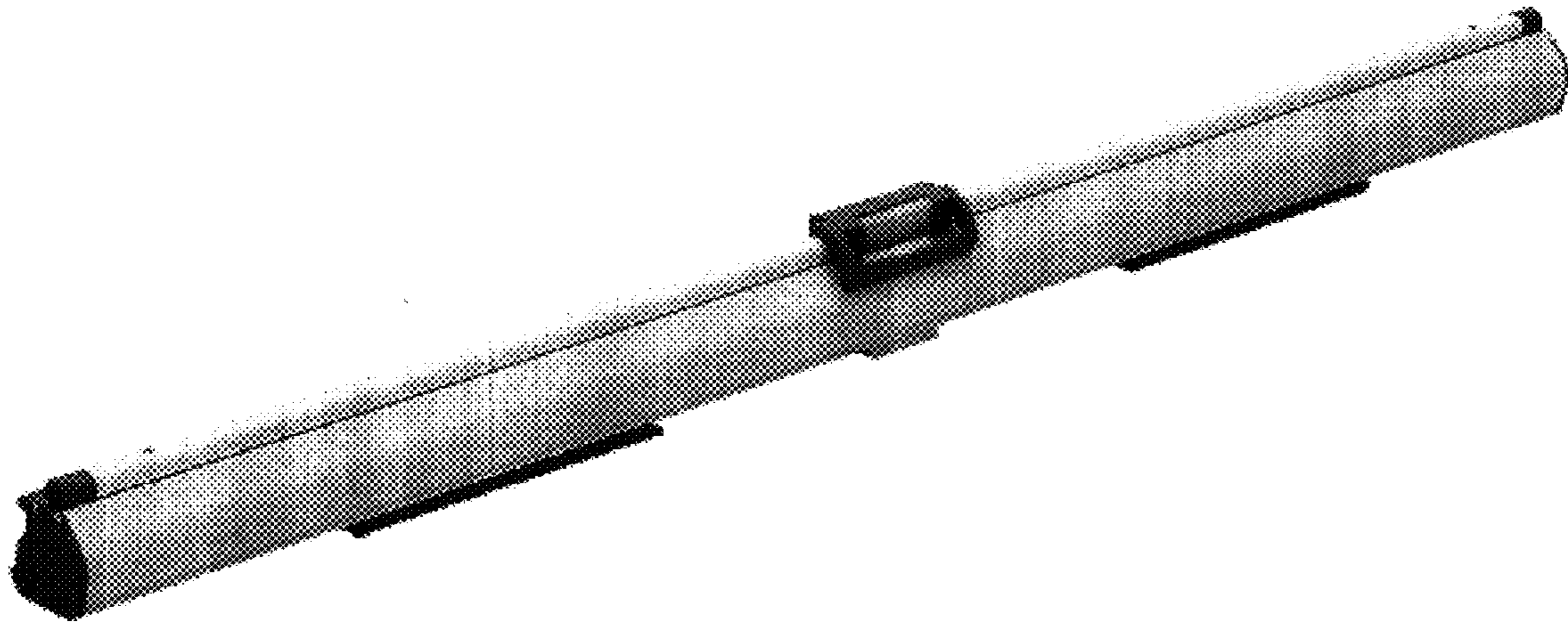


FIG. 8

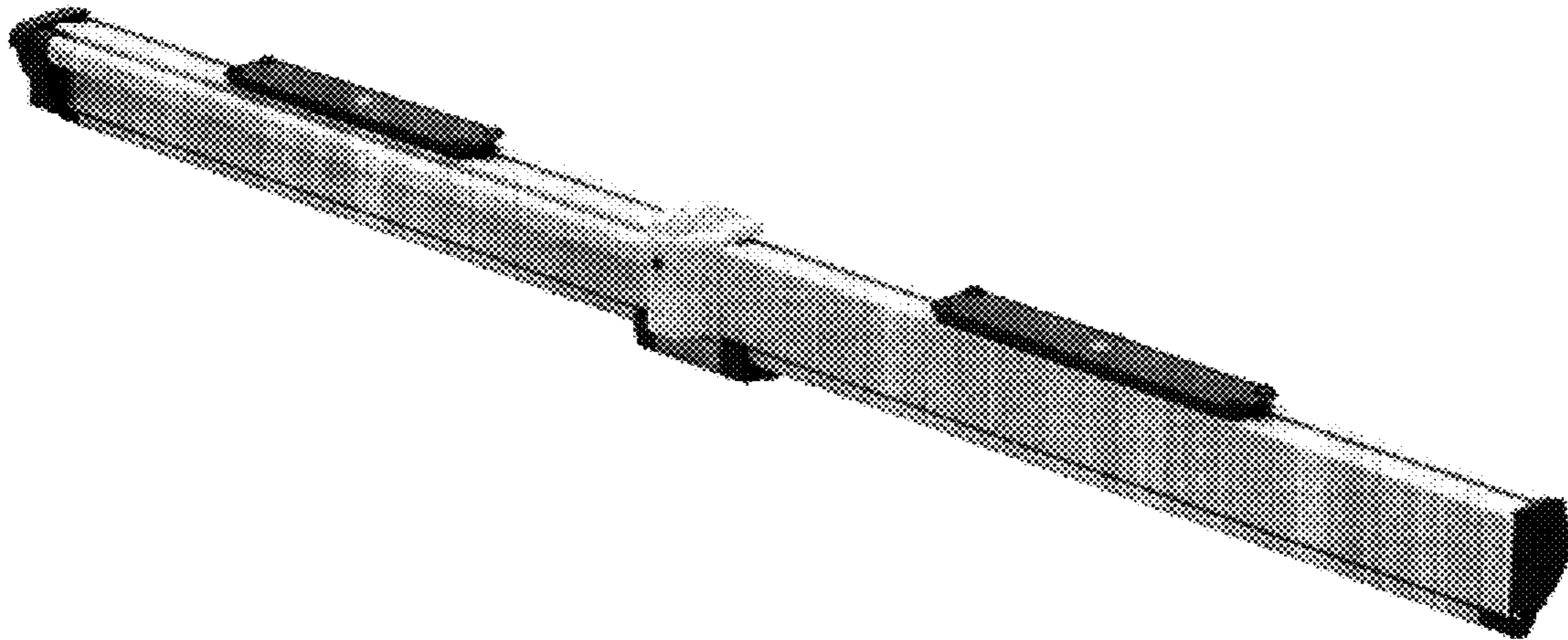


FIG. 9

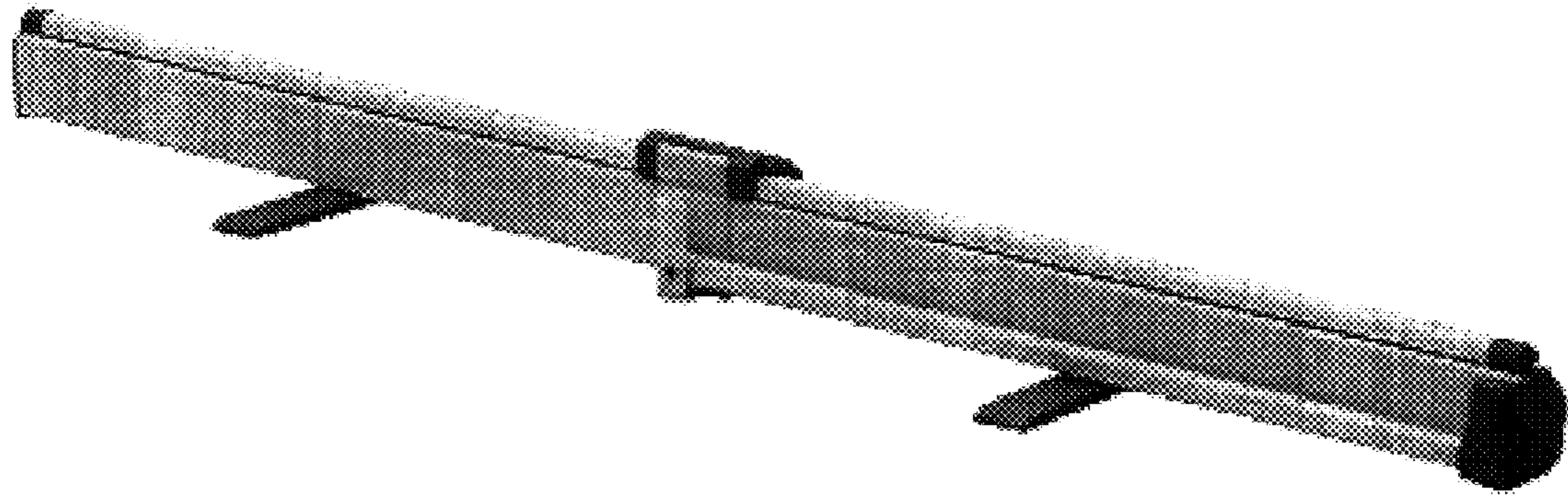


FIG. 10

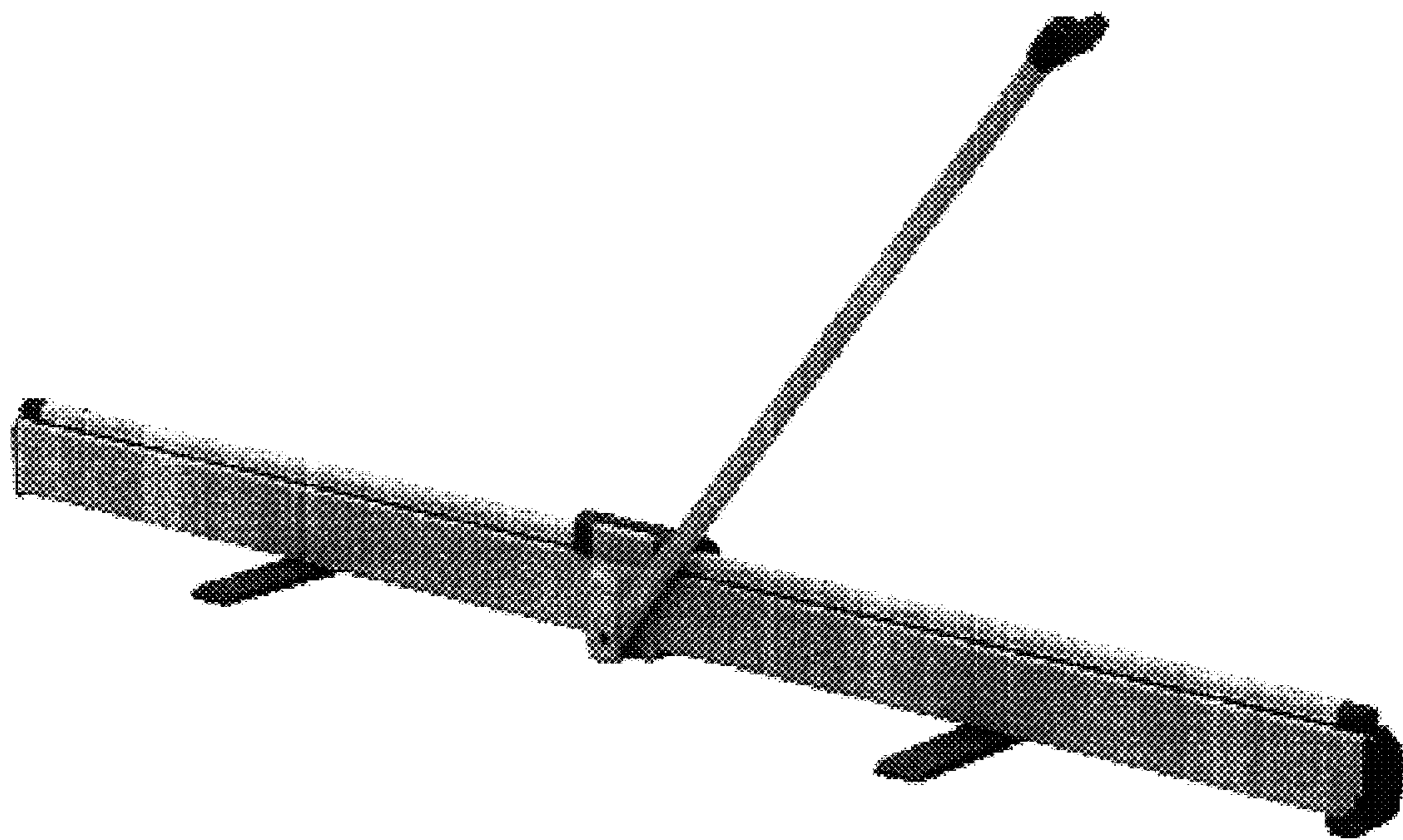


FIG. 11

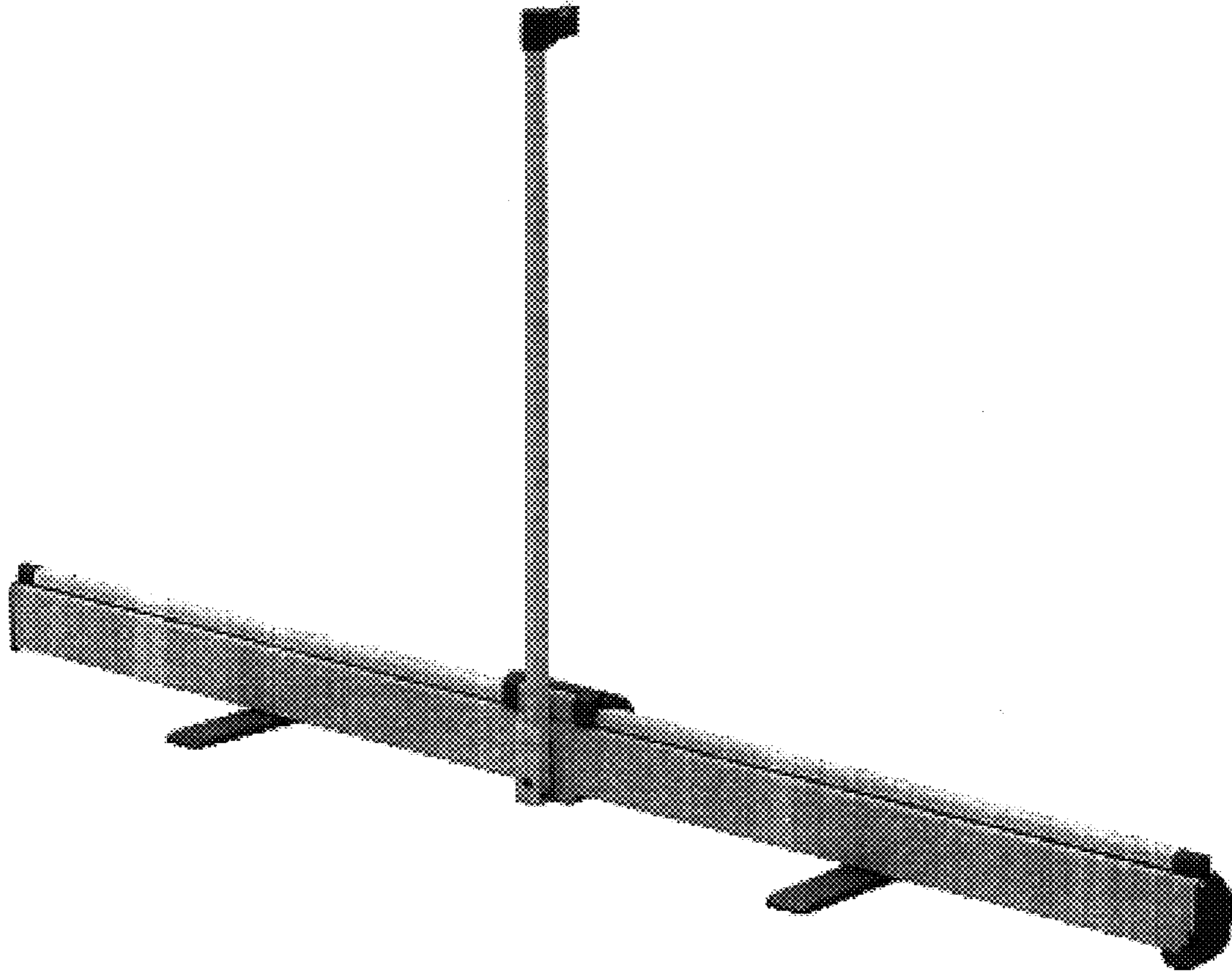


FIG. 12

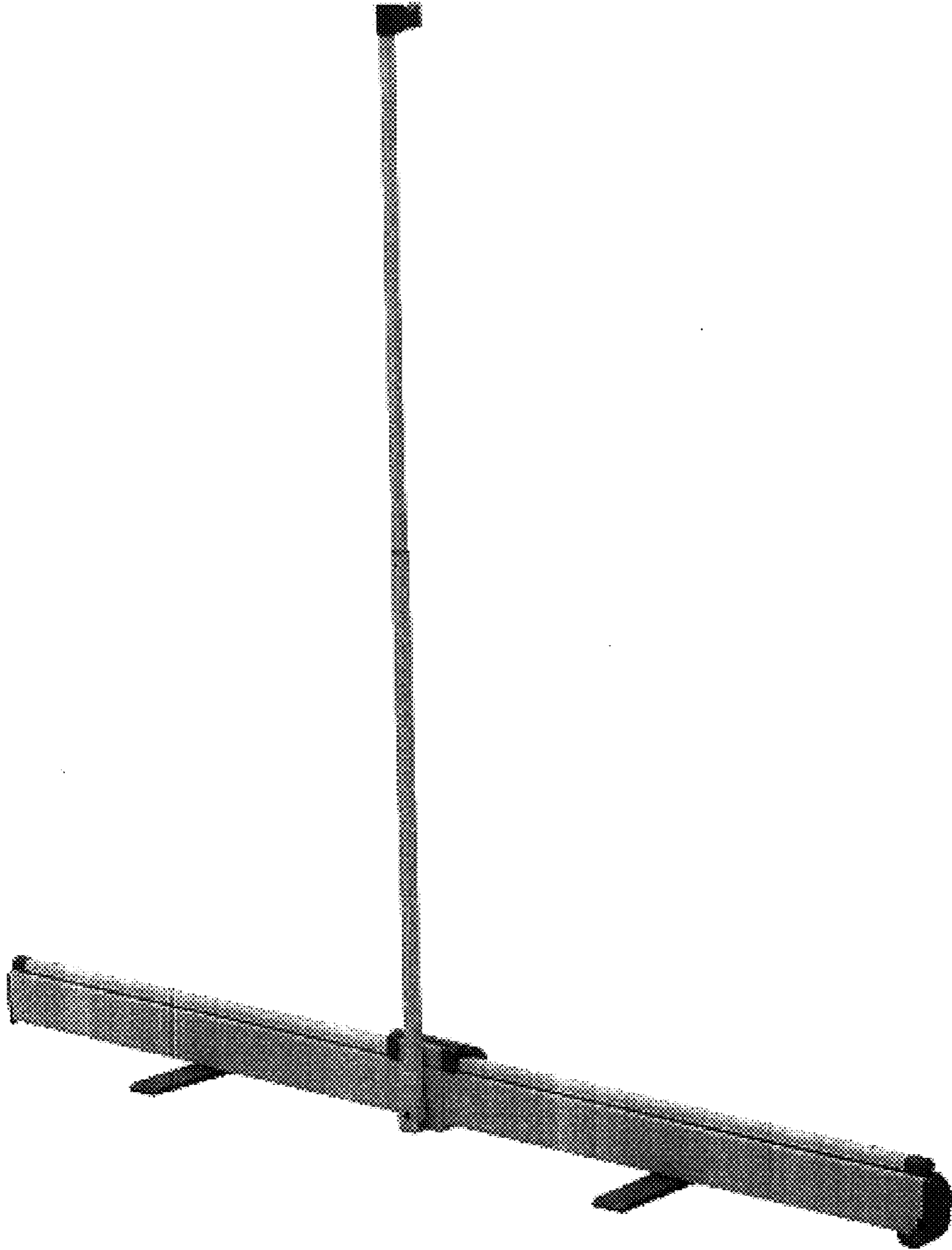


FIG. 13