

US00D520045S

(12) **United States Design Patent**  
**Han et al.**

(10) **Patent No.:** **US D520,045 S**

(45) **Date of Patent:** **\*\* May 2, 2006**

(54) **PROJECTOR**

(75) Inventors: **Young Soo Han**, Seoul (KR); **Keun Ho Ju**, Seoul (KR)

(73) Assignee: **LG Electronics Inc.**, Seoul (KR)

(\*\*) Term: **14 Years**

(21) Appl. No.: **29/197,304**

(22) Filed: **Jan. 14, 2004**

(30) **Foreign Application Priority Data**

Jul. 15, 2003 (KR) ..... 30-2003-0019919

(51) **LOC (8) Cl.** ..... **16-02**

(52) **U.S. Cl.** ..... **D16/230**

(58) **Field of Classification Search** ..... D16/205,  
D16/208, 213, 221, 225, 230, 231, 234; D21/514;  
353/115, 119, 122

See application file for complete search history.

(56) **References Cited**

**U.S. PATENT DOCUMENTS**

D428,619 S \* 7/2000 Saeki et al. .... D16/230  
D454,360 S \* 3/2002 Shimizu et al. .... D16/230  
6,425,667 B1 \* 7/2002 Haba et al. .... 353/119

D473,253 S \* 4/2003 Shimamoto ..... D16/231  
D480,409 S \* 10/2003 Wang et al. .... D16/230  
6,808,273 B1 \* 10/2004 Morinaga ..... 353/119  
D499,753 S \* 12/2004 Shigemura et al. .... D16/230

\* cited by examiner

*Primary Examiner*—Adir Aronovich

(74) *Attorney, Agent, or Firm*—Birch, Stewart, Kolasch,  
Birch, LLP

(57) **CLAIM**

The ornamental design for a projector, as shown and described.

**DESCRIPTION**

FIG. 1 is a front perspective view of the projector showing our new design;

FIG. 2 is a front view thereof;

FIG. 3 is a rear view thereof;

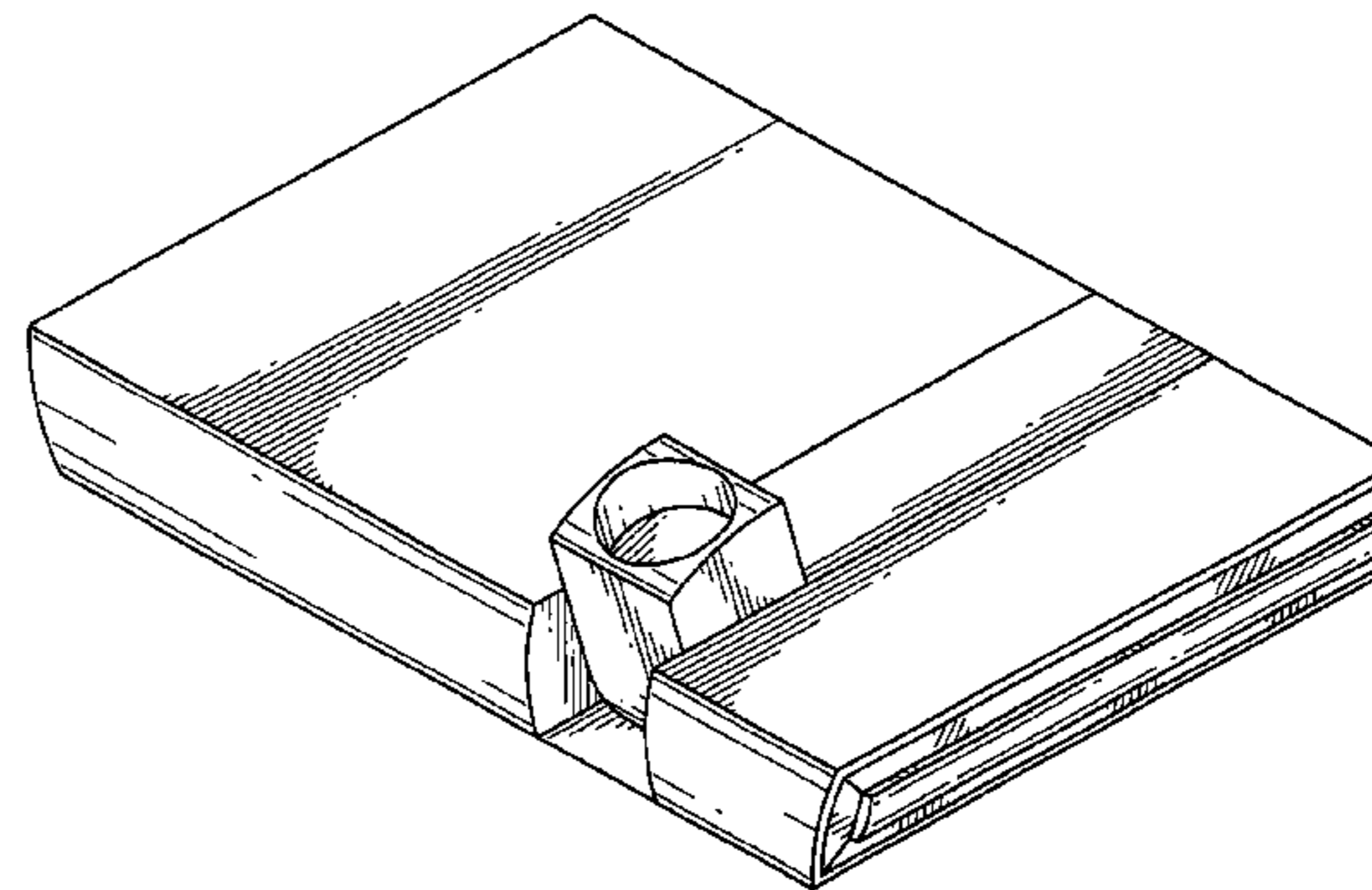
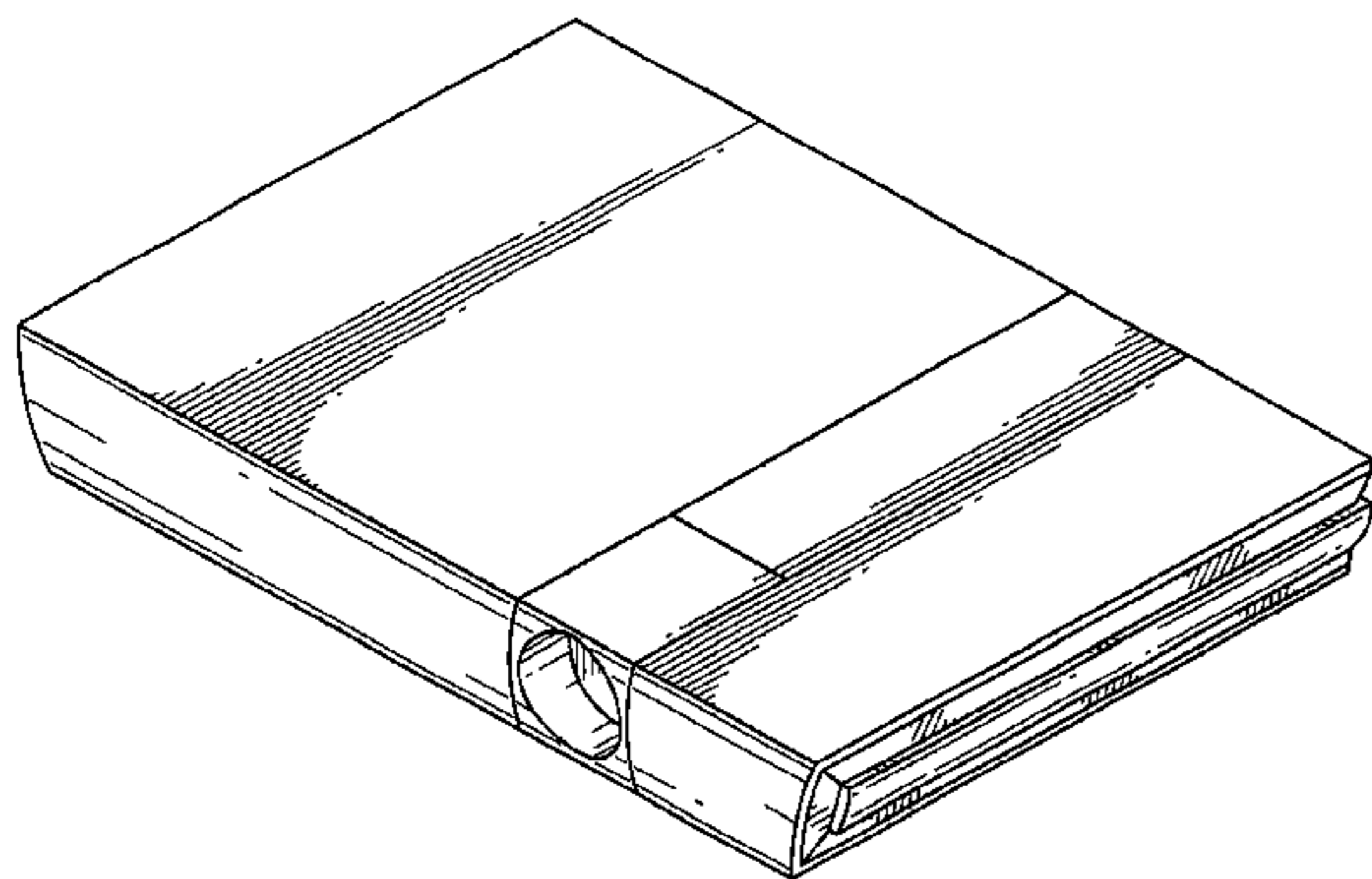
FIG. 4 is a left side view thereof, the right side view being a mirror-image thereof;

FIG. 5 is a top view thereof;

FIG. 6 is a bottom view thereof; and,

FIG. 7 is a front perspective view with the lens shown in an alternate position.

**1 Claim, 3 Drawing Sheets**



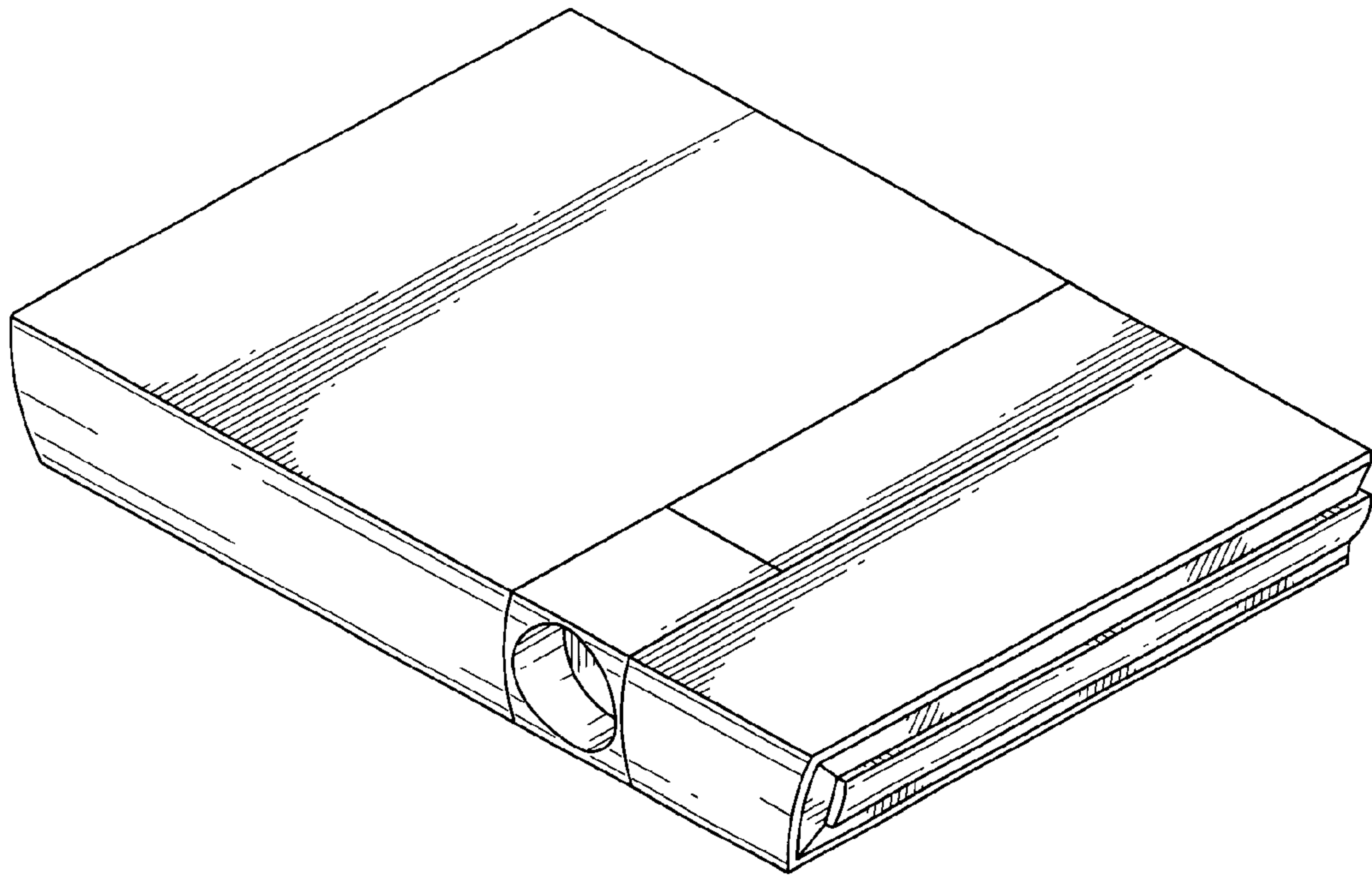


FIG. 1

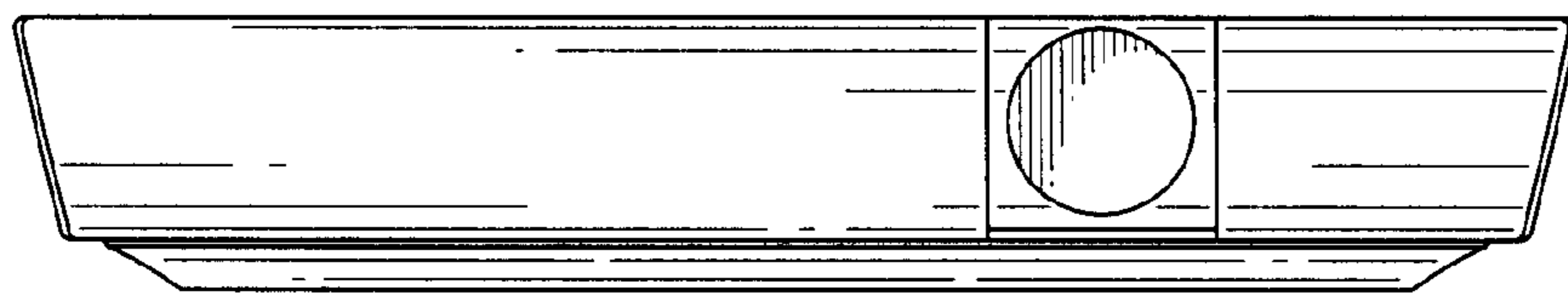


FIG. 2

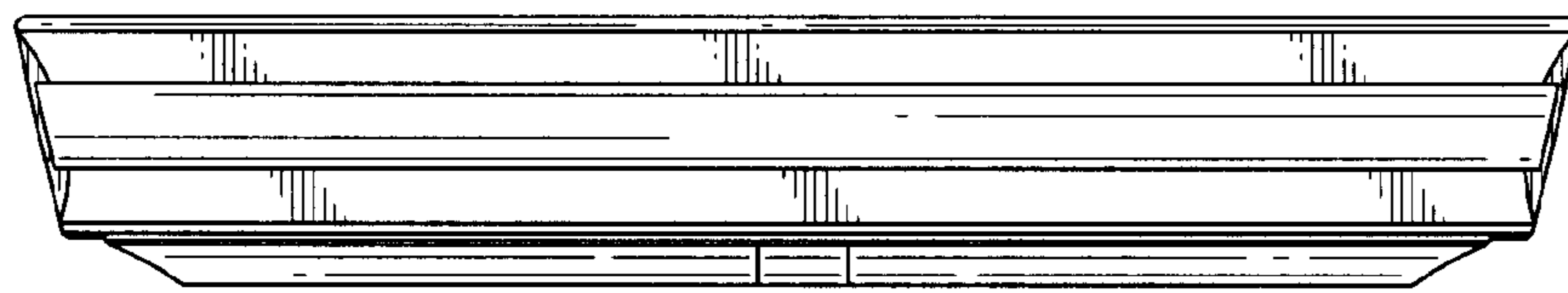


FIG. 3

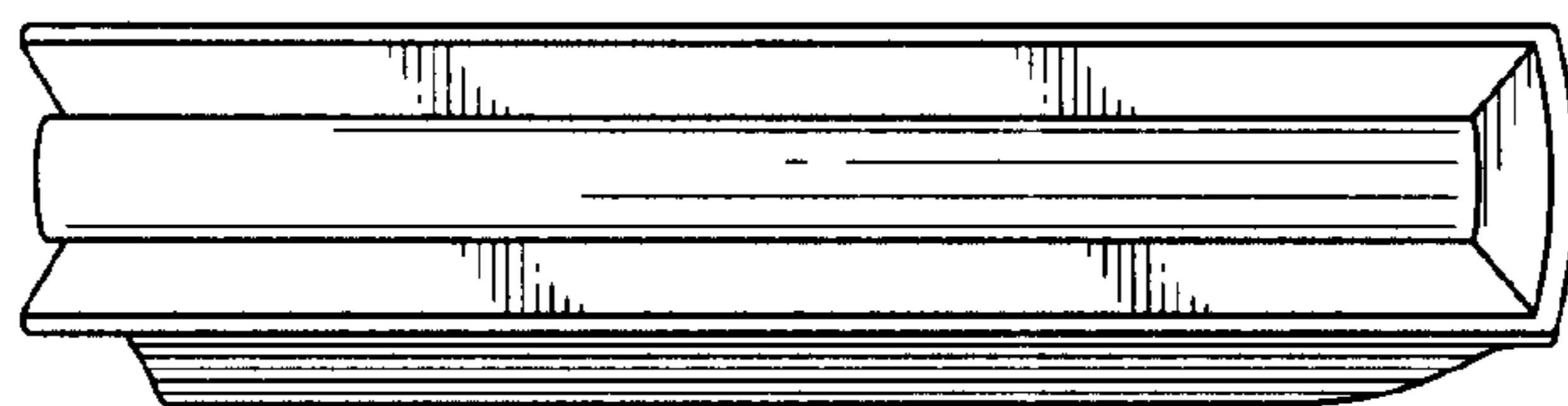


FIG. 4

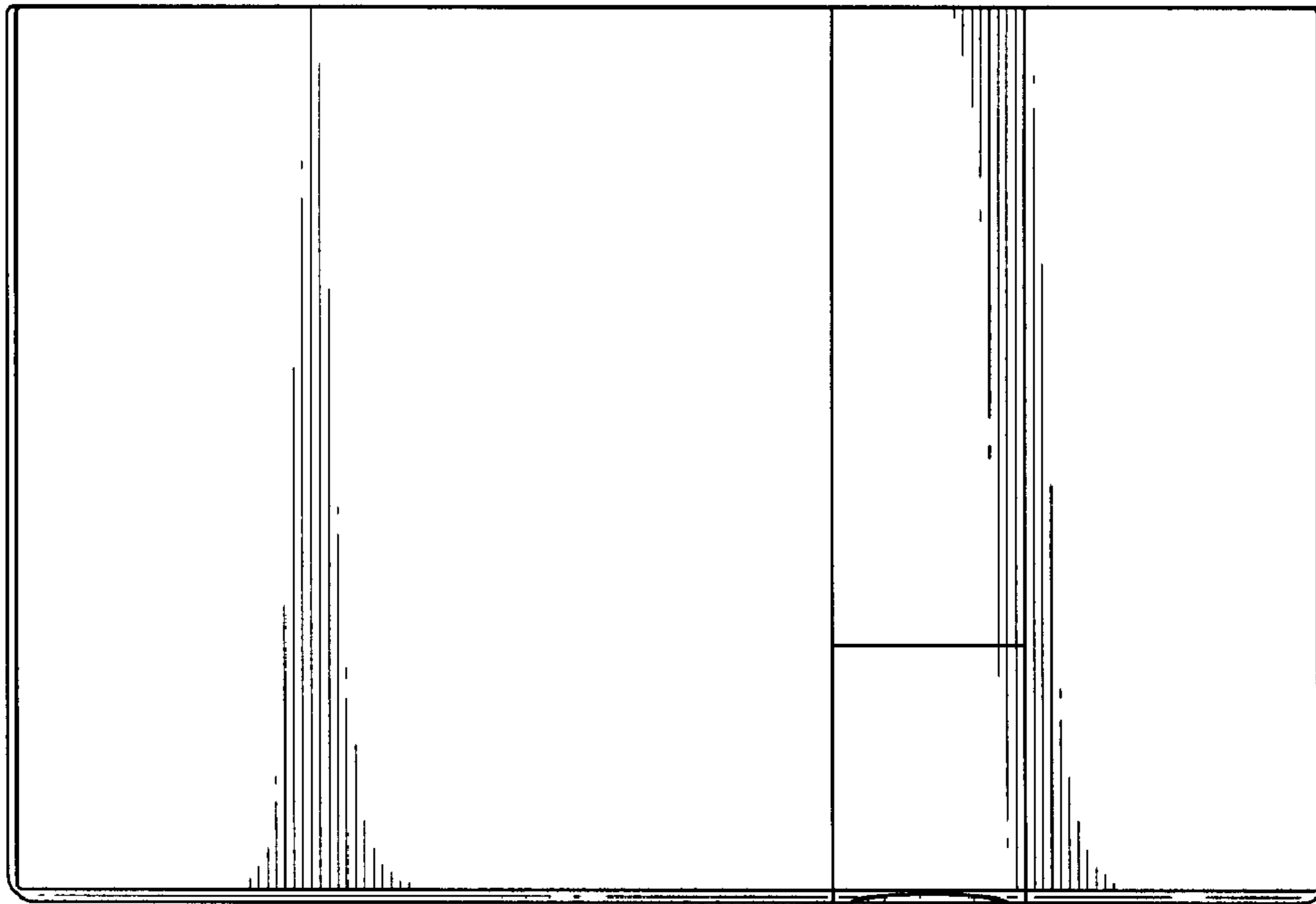


FIG. 5

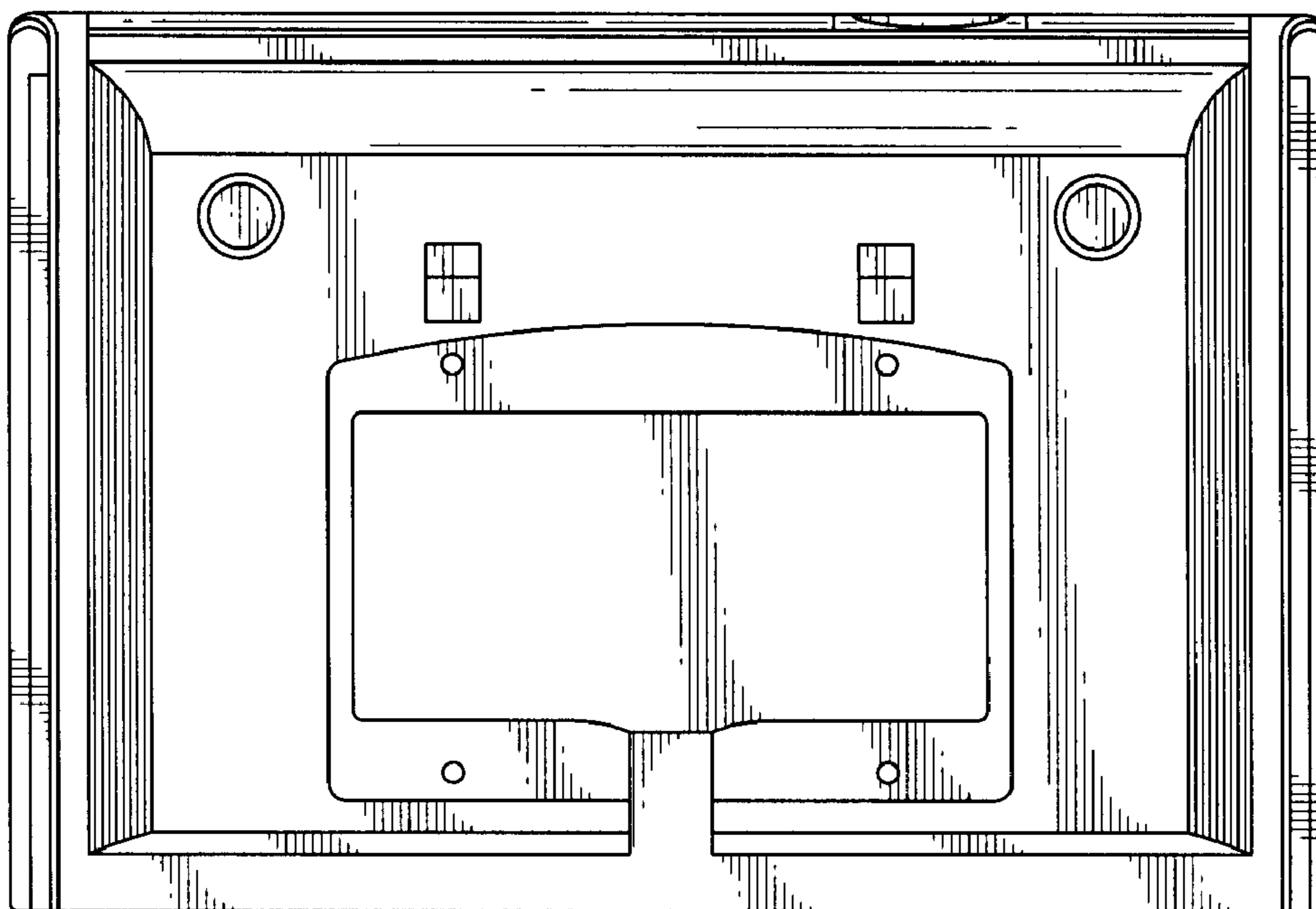


FIG. 6

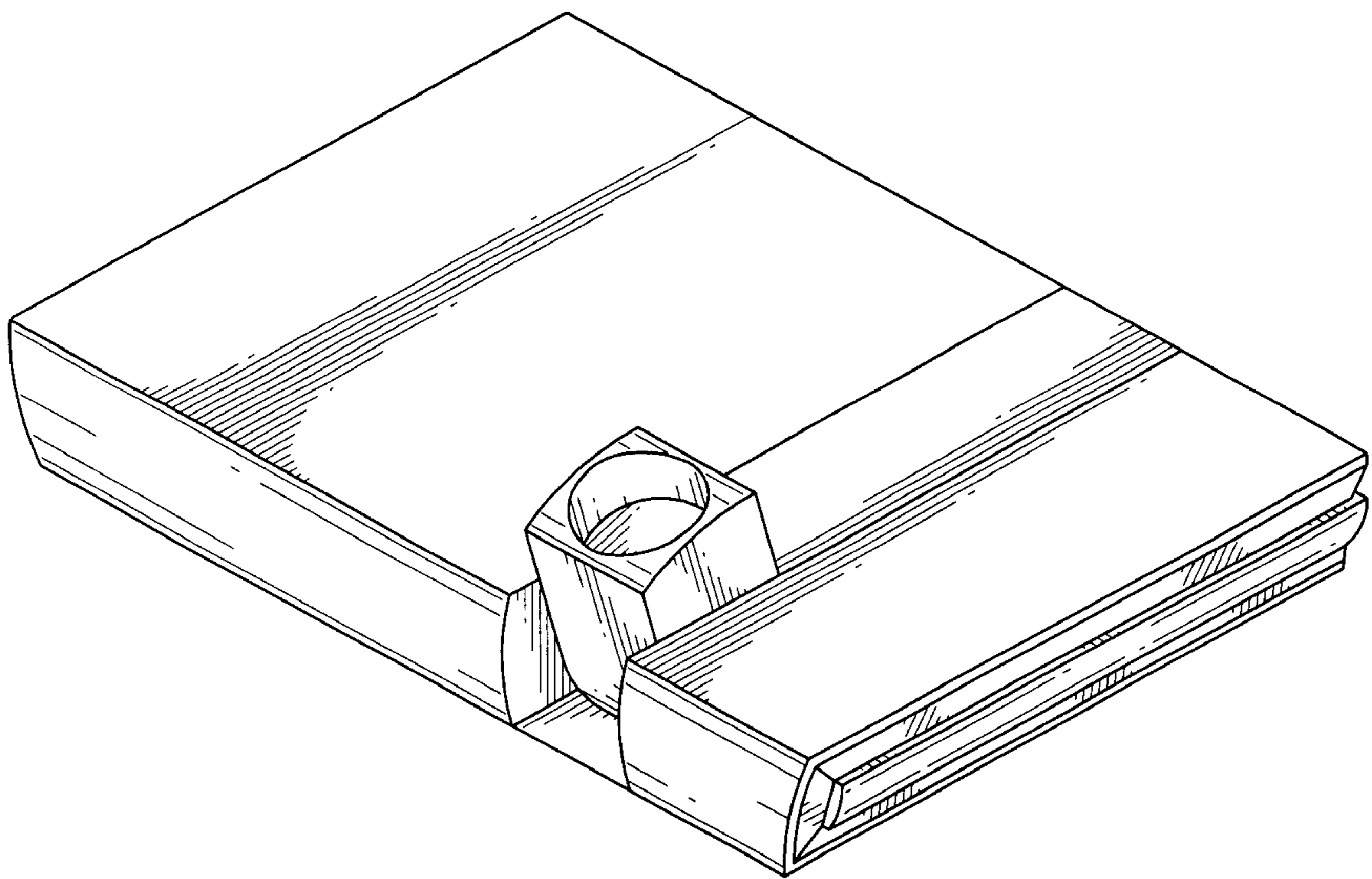


FIG.7