

US00D520044S

(12) **United States Design Patent**  
**Chung et al.**

(10) **Patent No.:** **US D520,044 S**

(45) **Date of Patent:** **\*\* May 2, 2006**

(54) **DIGITAL CAMCORDER**

(75) Inventors: **Yeon-Moo Chung**, Seoul (KR);  
**Won-Gab Byun**, Seoul (KR)

(73) Assignee: **Samsung Electronics Co., Ltd.**,  
Kyunggi-do (KR)

(\*\*) Term: **14 Years**

(21) Appl. No.: **29/217,944**

(22) Filed: **Nov. 23, 2004**

(51) **LOC (8) Cl.** ..... **16-01**

(52) **U.S. Cl.** ..... **D16/202**

(58) **Field of Classification Search** ..... D16/200–206,  
D16/208, 218; 348/373–376; 358/906, 909.1;  
396/535–541

See application file for complete search history.

(56) **References Cited**

**U.S. PATENT DOCUMENTS**

- D407,097 S \* 3/1999 Suzuki et al. .... D16/202
- D426,843 S \* 6/2000 Tanaka ..... D16/205
- D446,800 S \* 8/2001 Fukushima et al. .... D16/202

- D463,469 S \* 9/2002 Kawase ..... D16/202
- D488,495 S \* 4/2004 Shimizu ..... D16/202
- D499,437 S \* 12/2004 Miyamori et al. .... D16/202
- D501,216 S \* 1/2005 Shimizu ..... D16/202
- D503,731 S \* 4/2005 Kinemura et al. .... D16/202

\* cited by examiner

*Primary Examiner*—Adir Aronovich

(74) *Attorney, Agent, or Firm*—Fynn, Thiel, Boutell &  
Tanis, P.C.

(57) **CLAIM**

The ornamental design for a digital camcorder, as shown and described.

**DESCRIPTION**

FIG. 1. is a top front perspective view of a digital camcorder showing our new design.

FIG. 2. is a front elevational view thereof.

FIG. 3. is a rear elevational view thereof.

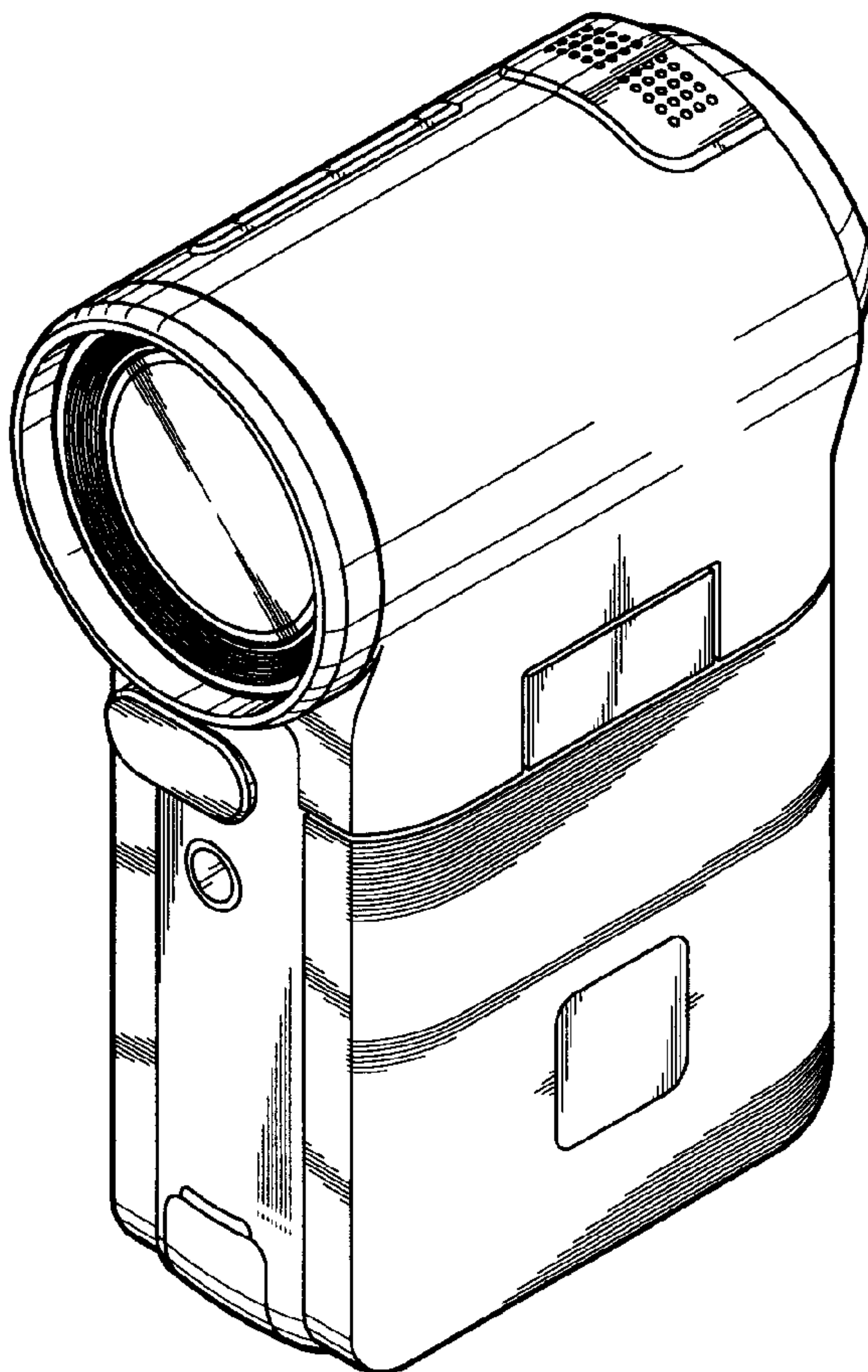
FIG. 4. is a left side elevational view thereof.

FIG. 5. is a right side elevational view thereof.

FIG. 6. is a top plan view thereof; and,

FIG. 7. is a bottom plan view thereof.

**1 Claim, 6 Drawing Sheets**



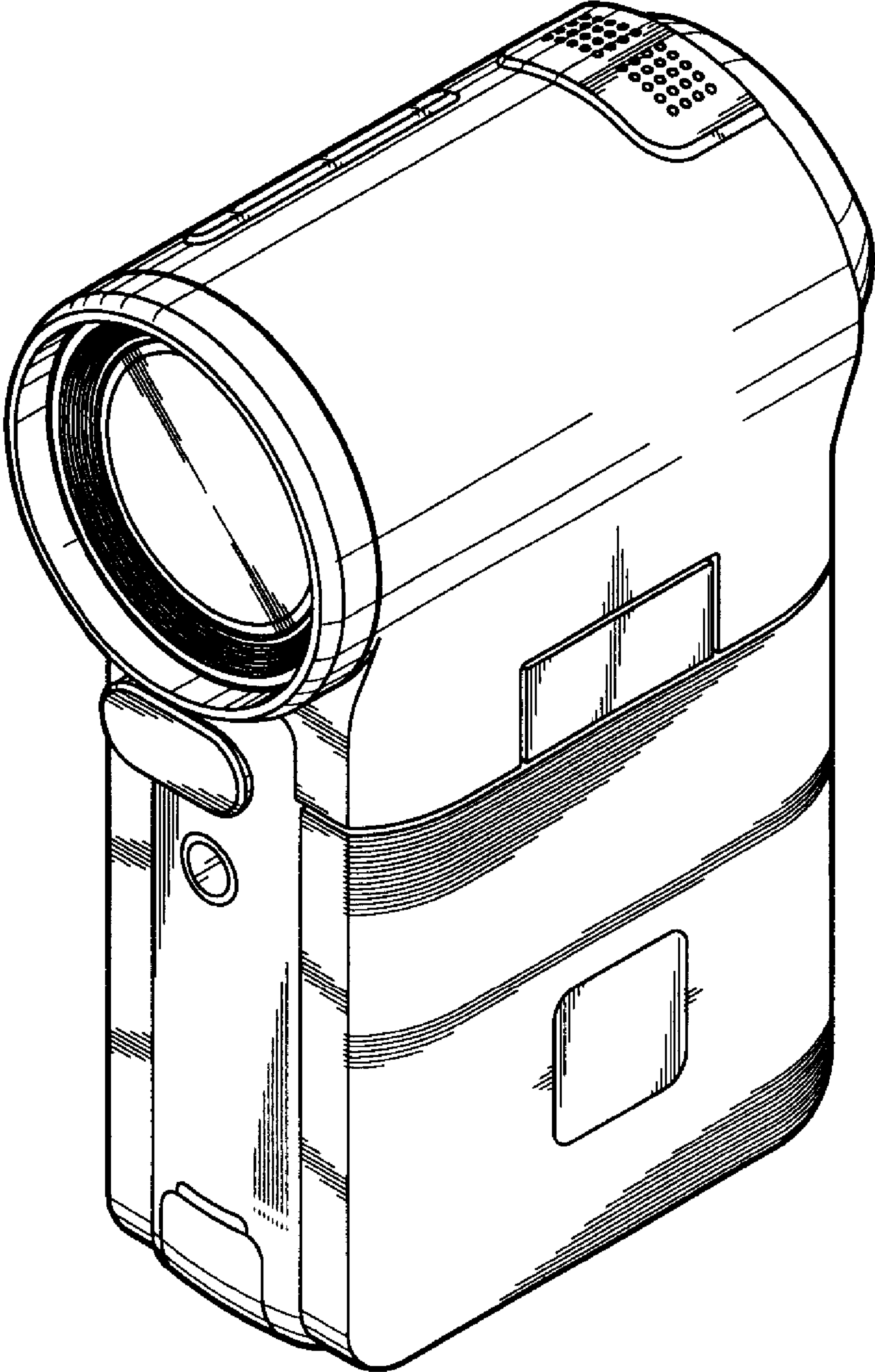


FIG. 1

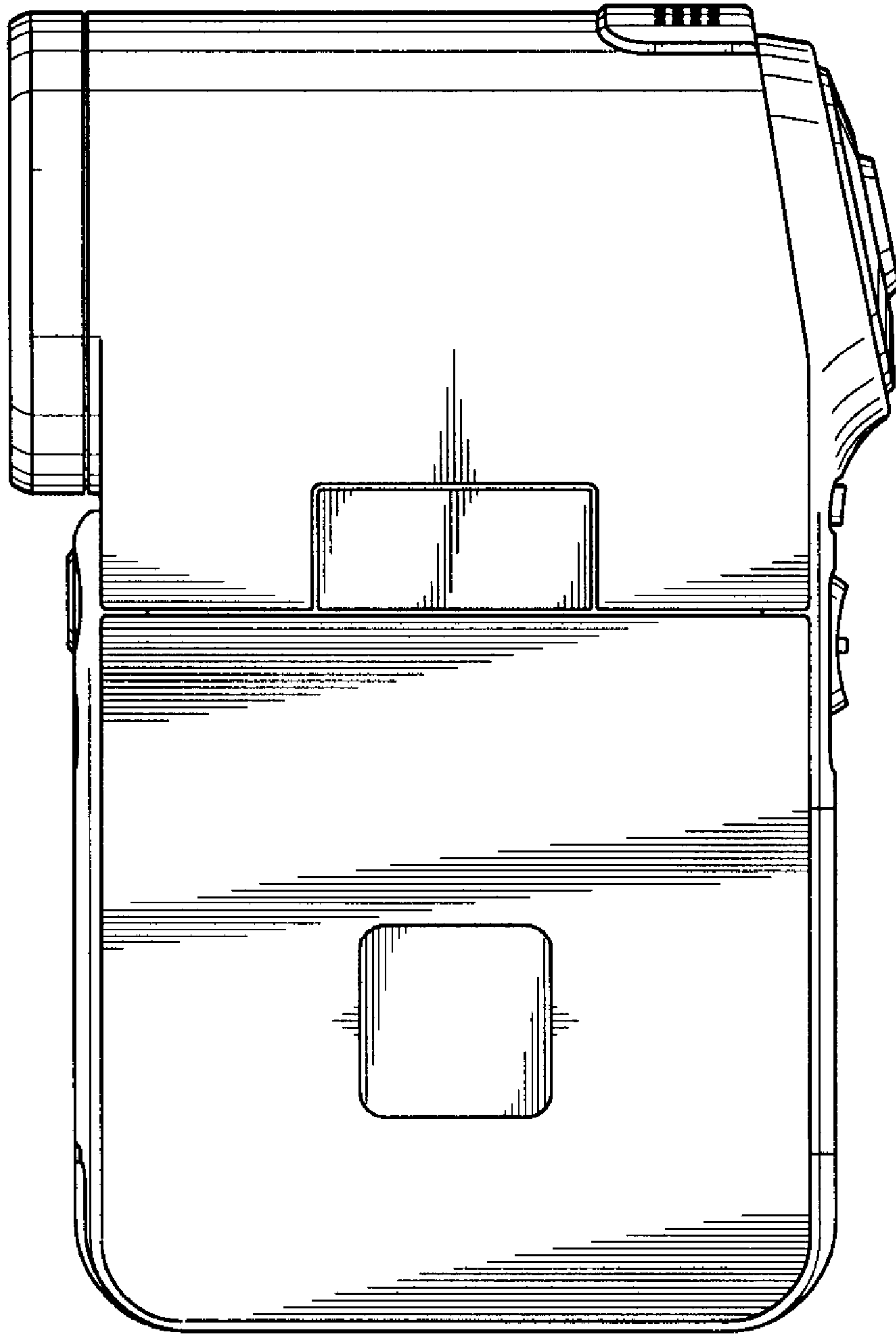


FIG. 2

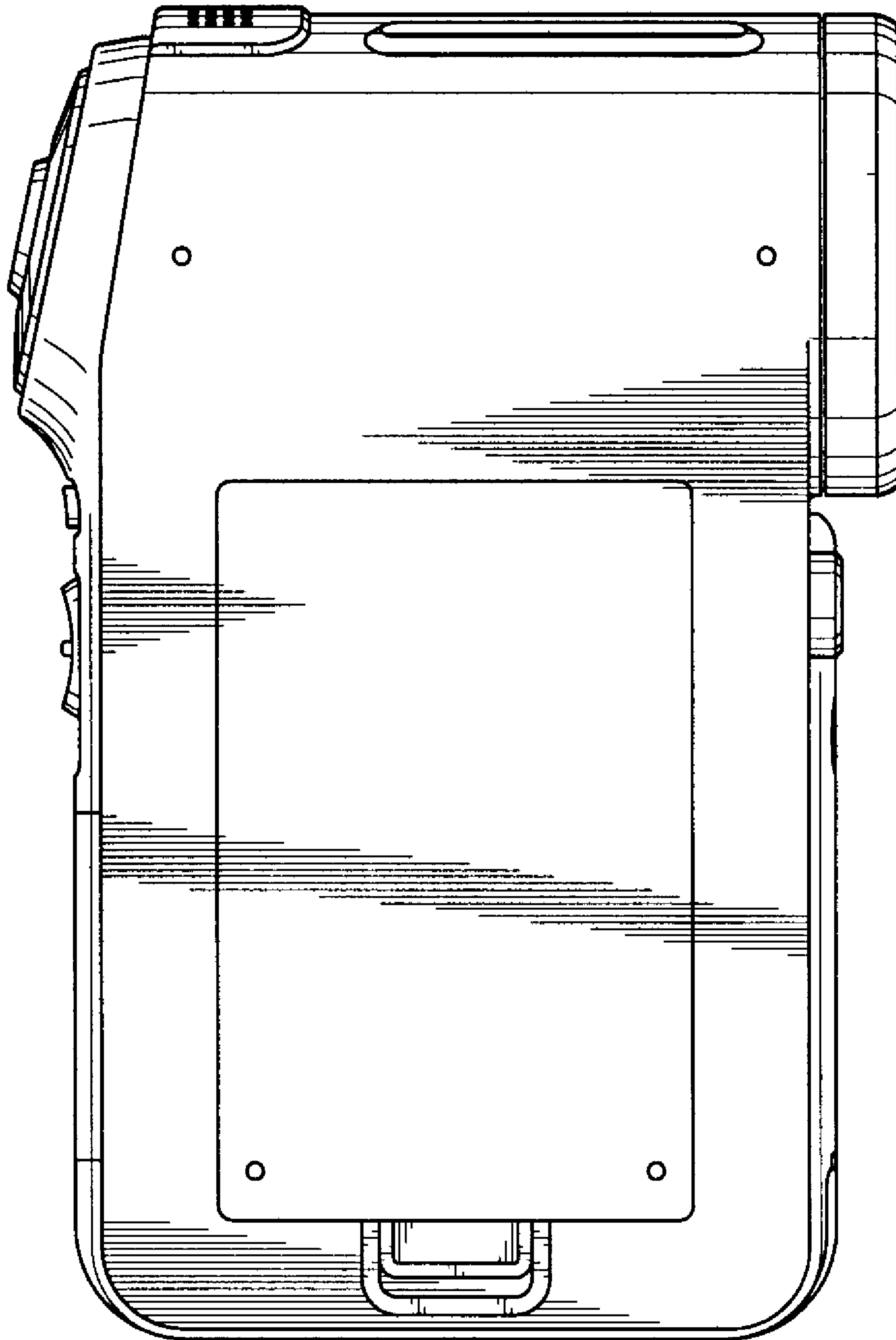


FIG. 3

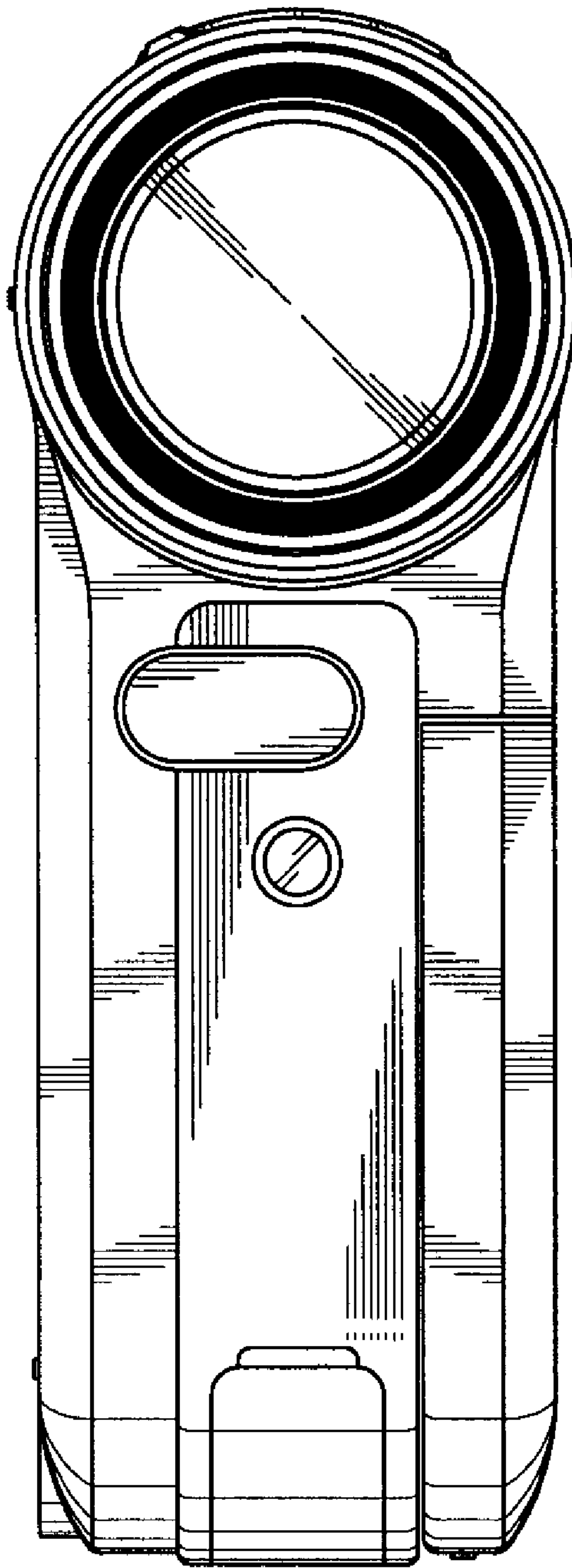


FIG. 4

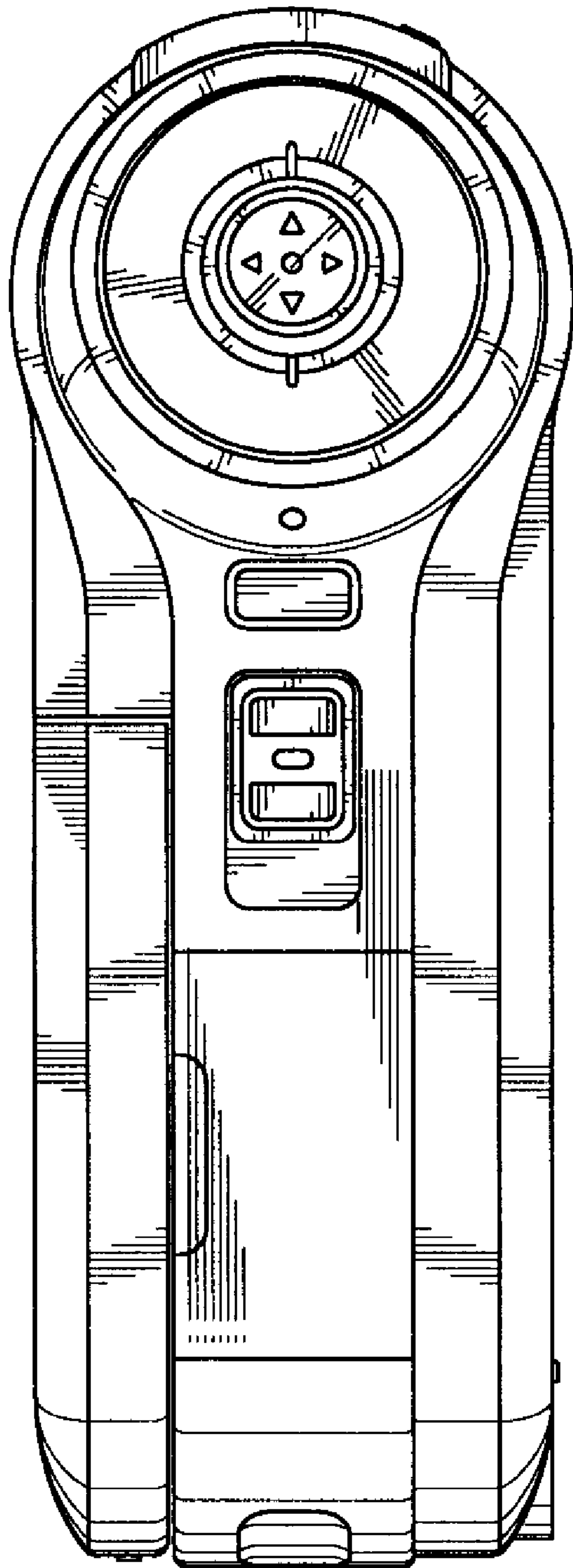


FIG. 5



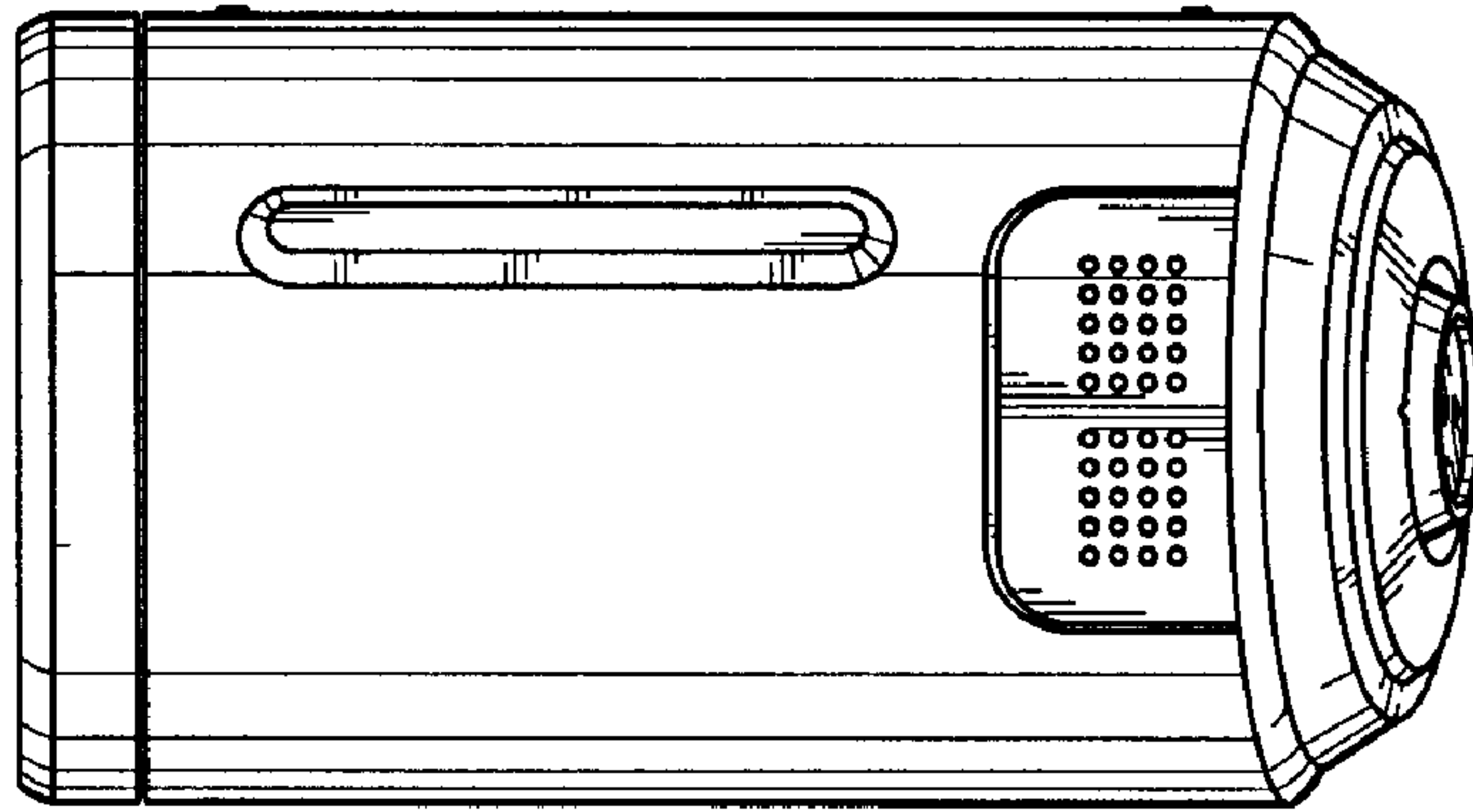


FIG. 6

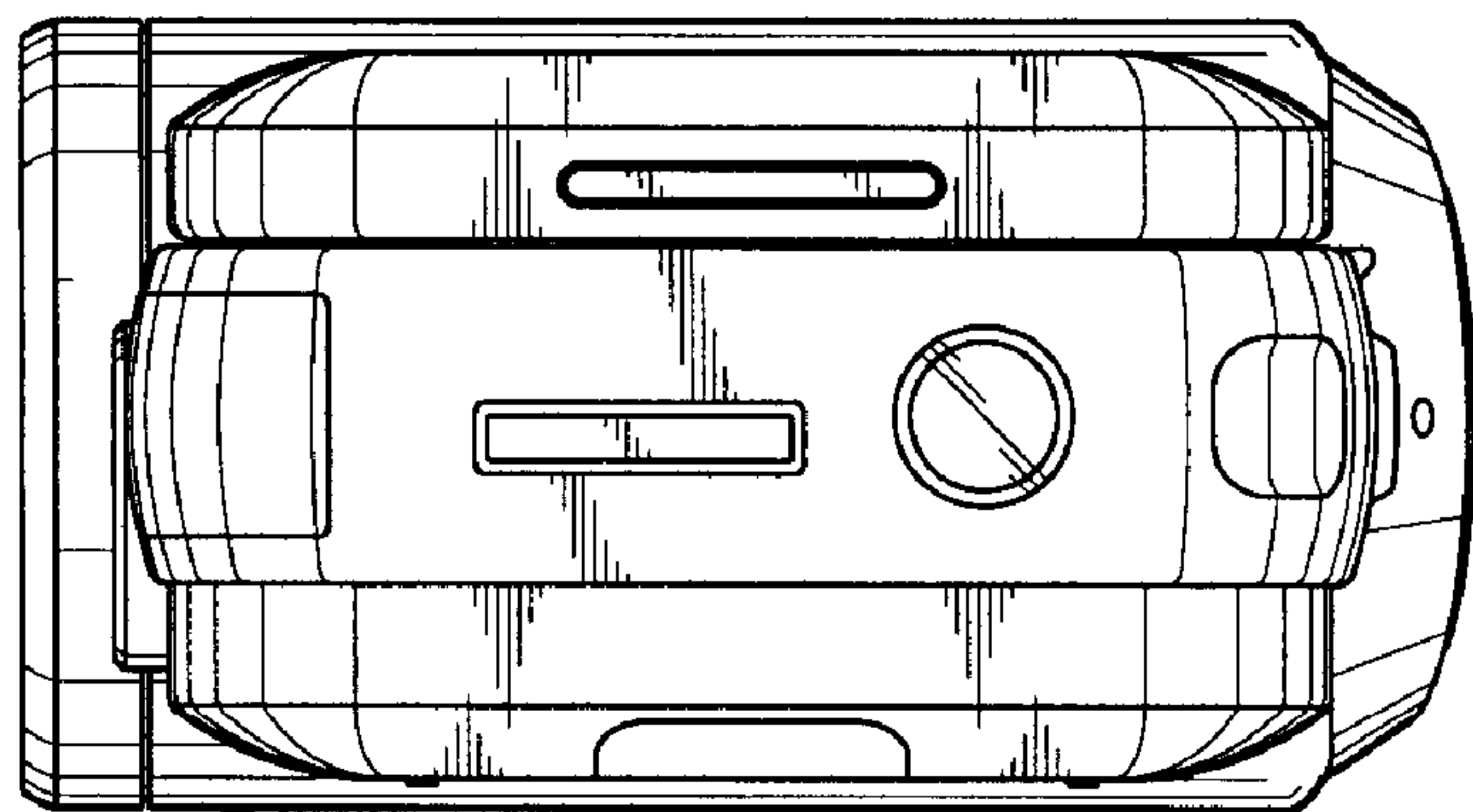


FIG. 7