



US00D520043S

(12) **United States Design Patent**
Kurimoto et al.

(10) **Patent No.:** **US D520,043 S**

(45) **Date of Patent:** **** May 2, 2006**

(54) **DIGITAL CAMERA**

6,930,726 B1 * 8/2005 Nagai 348/373

(75) Inventors: **Ryusuke Kurimoto**, Kawasaki (JP);
Masatomo Naruki, Kawasaki (JP)

FOREIGN PATENT DOCUMENTS

JP	D1079565	7/2000
JP	D1099889	2/2001
JP	D1161812	12/2002
JP	D1162690	1/2003
JP	D1179362	7/2003

(73) Assignee: **Kabushiki Kaisha Toshiba** (JP)

(**) Term: **14 Years**

OTHER PUBLICATIONS

(21) Appl. No.: **29/216,441**

B&H Photo Video Pro–Audio Catalog, Summer 2004, pp. 32–37, published Jun. 2004.

(22) Filed: **Nov. 4, 2004**

(30) **Foreign Application Priority Data**

Sep. 24, 2004 (JP) 2004-028867

* cited by examiner

Primary Examiner—Adir Aronovich

(51) **LOC (8) Cl.** **16-01**

(74) *Attorney, Agent, or Firm*—Banner & Witcoof, Ltd.

(52) **U.S. Cl.** **D16/202**; D16/206

(58) **Field of Classification Search** D16/200–206,
D16/208, 217, 218; 348/373–376; 358/906,
358/909.1; 396/535–541

(57) **CLAIM**

See application file for complete search history.

The ornamental design for a digital camera, as shown and described.

DESCRIPTION

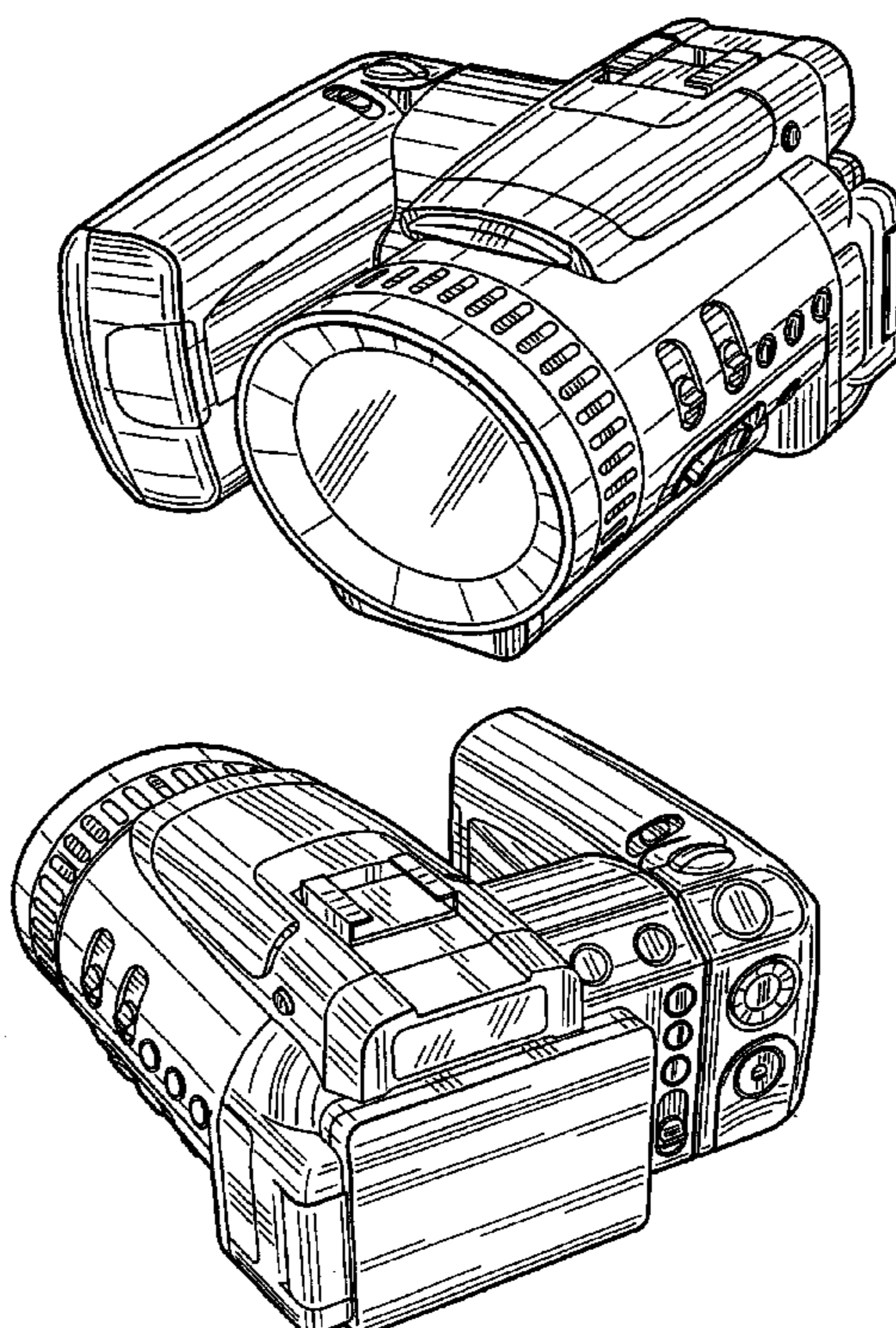
(56) **References Cited**

U.S. PATENT DOCUMENTS

D330,562 S	10/1992	Takada et al.	
D387,079 S	* 12/1997	Horikiri	D16/217
D388,110 S	* 12/1997	Watarai et al.	D16/217
D416,271 S	* 11/1999	Ikenaga	D16/202
D426,248 S	* 6/2000	Sumita	D16/202
D444,163 S	* 6/2001	Yoshida	D16/202
D445,816 S	7/2001	Tanaka	
D447,500 S	* 9/2001	Funato	D16/202
D474,793 S	* 5/2003	Yoshida	D16/202
D493,809 S	* 8/2004	Ogura	D16/202
D497,173 S	* 10/2004	Ogura	D16/202

FIG. 1 is a front, top and right side perspective view of a digital camera, showing our new design;
FIG. 2 is a rear, top and right side perspective view thereof;
FIG. 3 is a rear, top and left side perspective view thereof showing the state of use;
FIG. 4 is a top plan view thereof;
FIG. 5 is a front elevational view thereof;
FIG. 6 is a rear elevational view thereof;
FIG. 7 is a right side elevational view thereof;
FIG. 8 is a bottom plan view thereof; and,
FIG. 9 is a left side elevational view thereof.

1 Claim, 5 Drawing Sheets



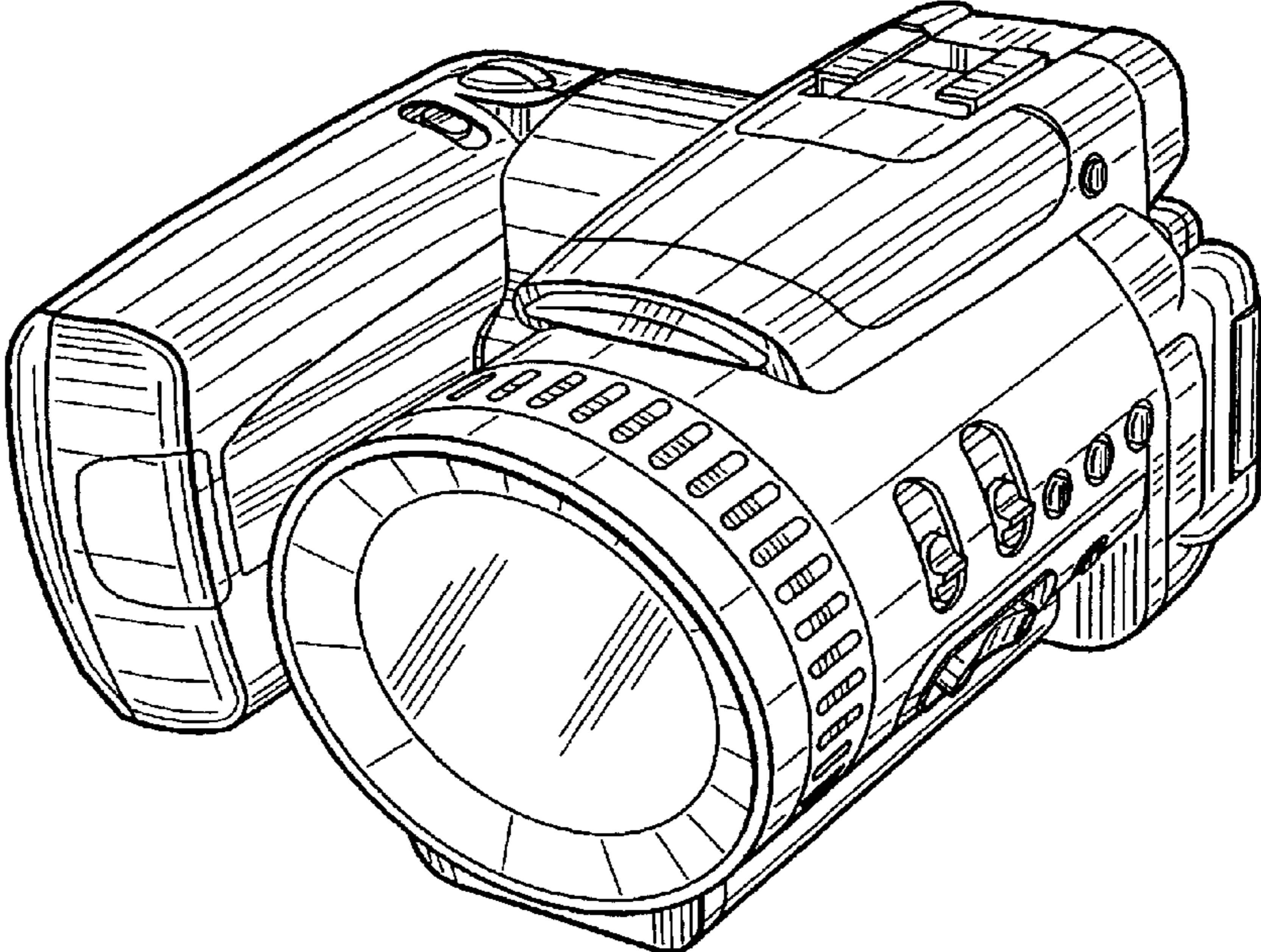


Fig. 1

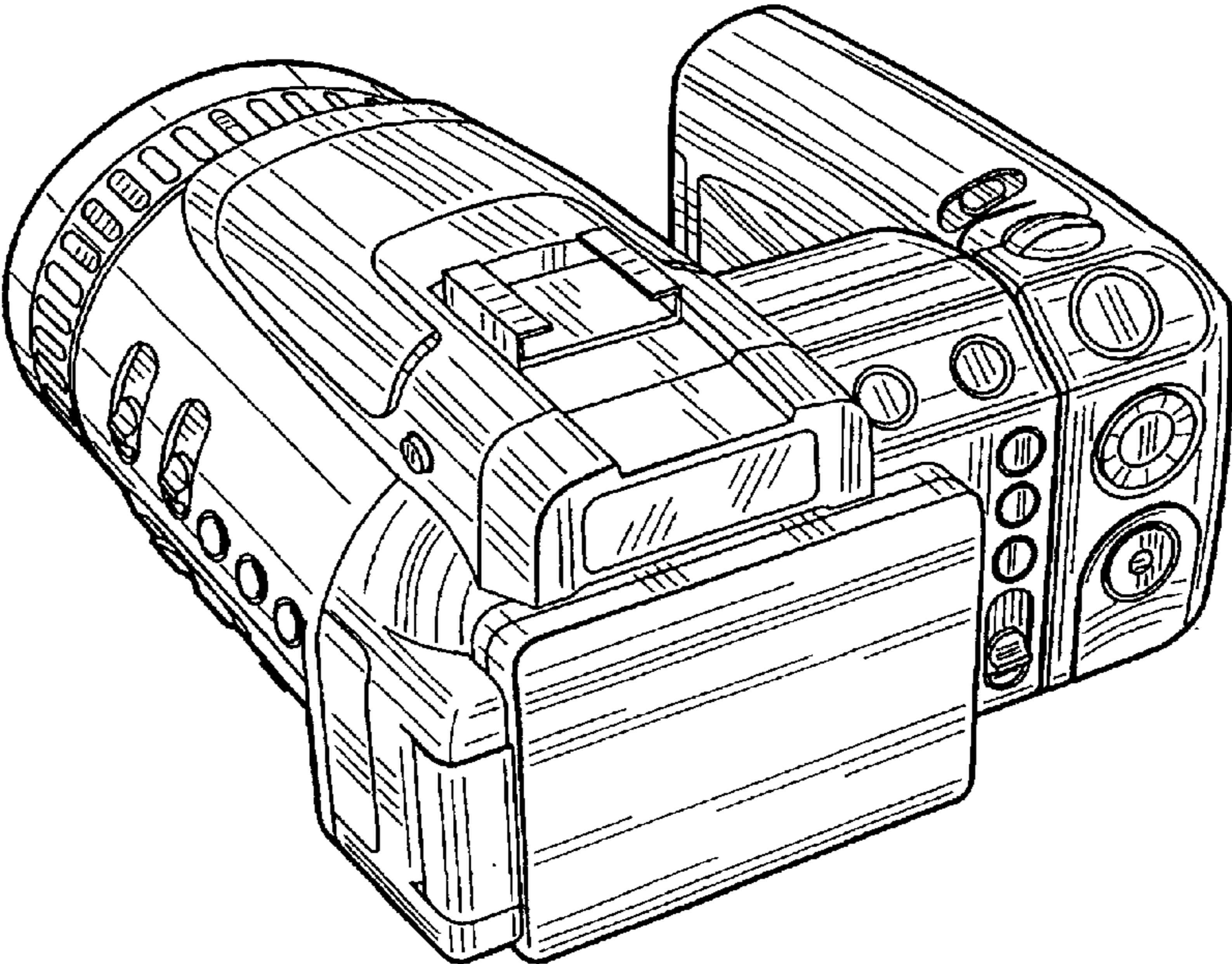


Fig. 2

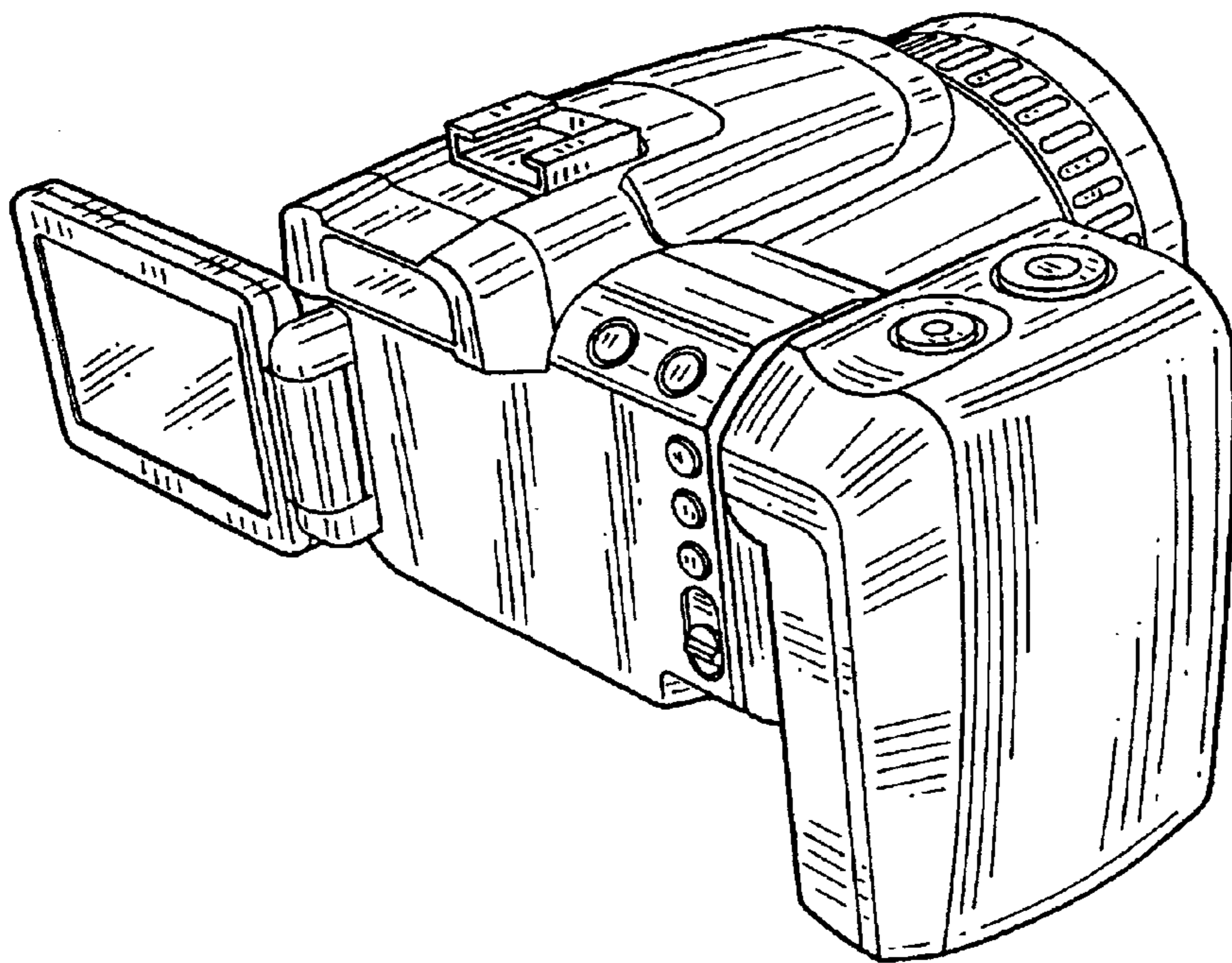


Fig. 3

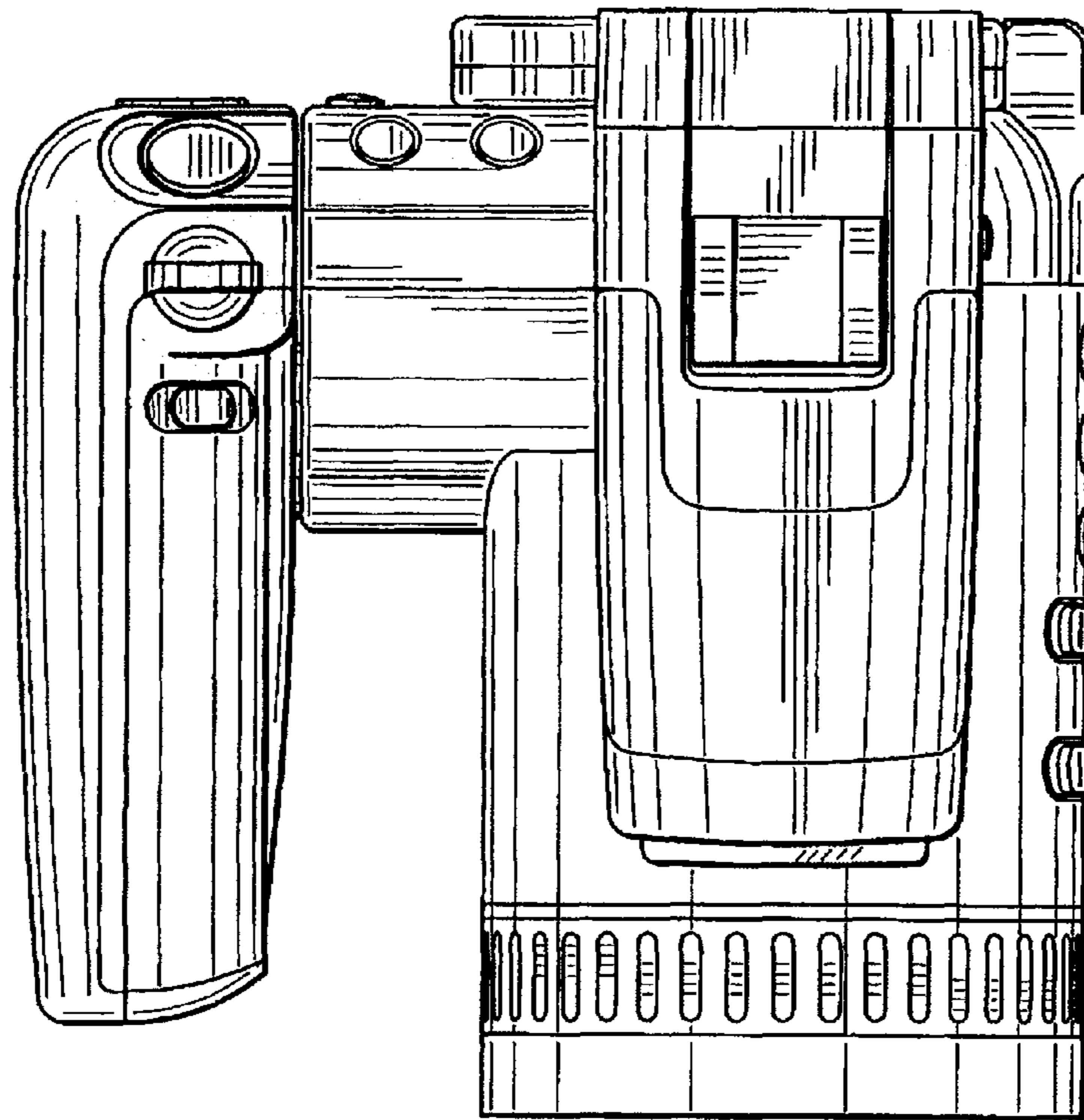


Fig. 4

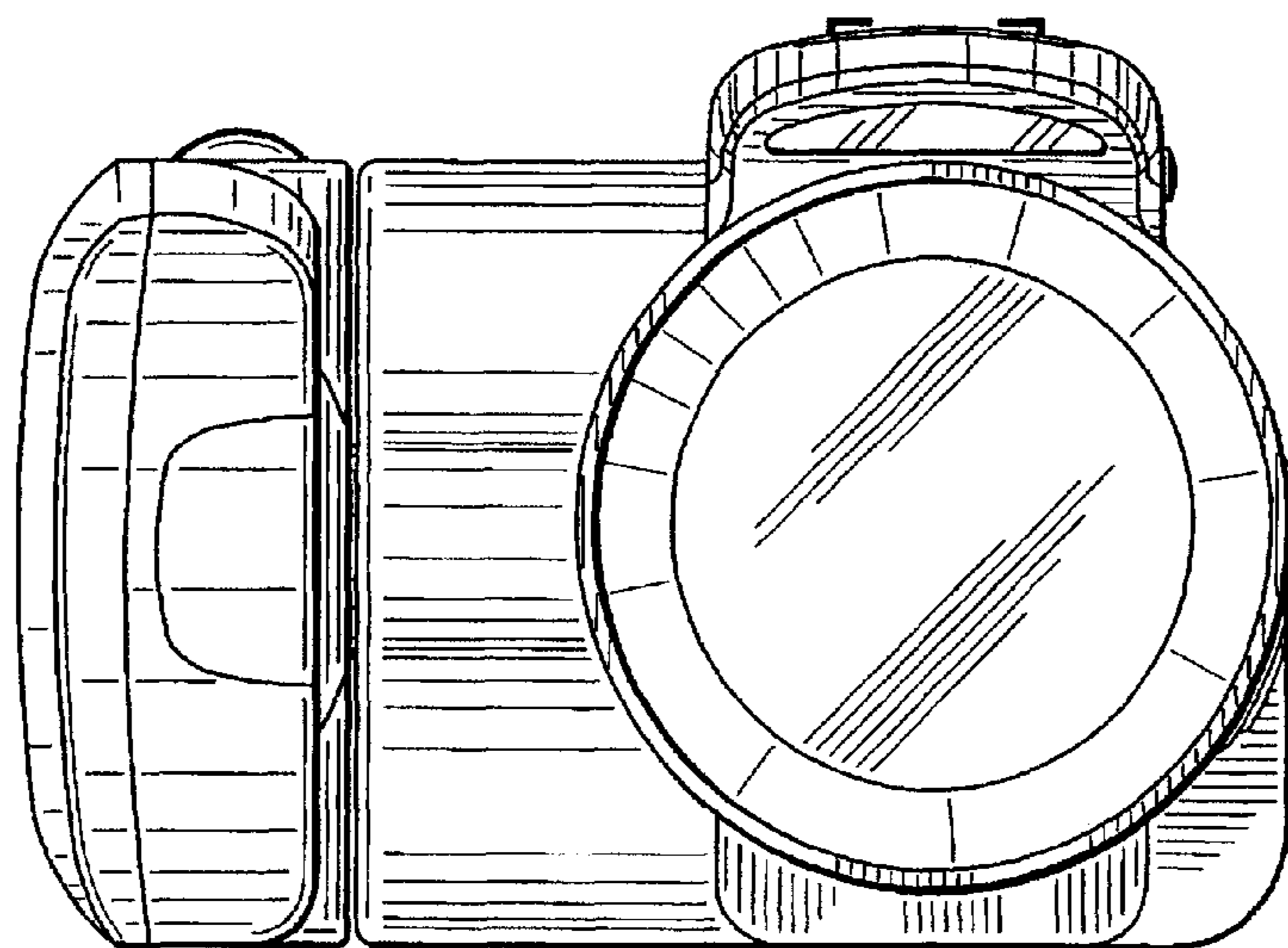


Fig. 5

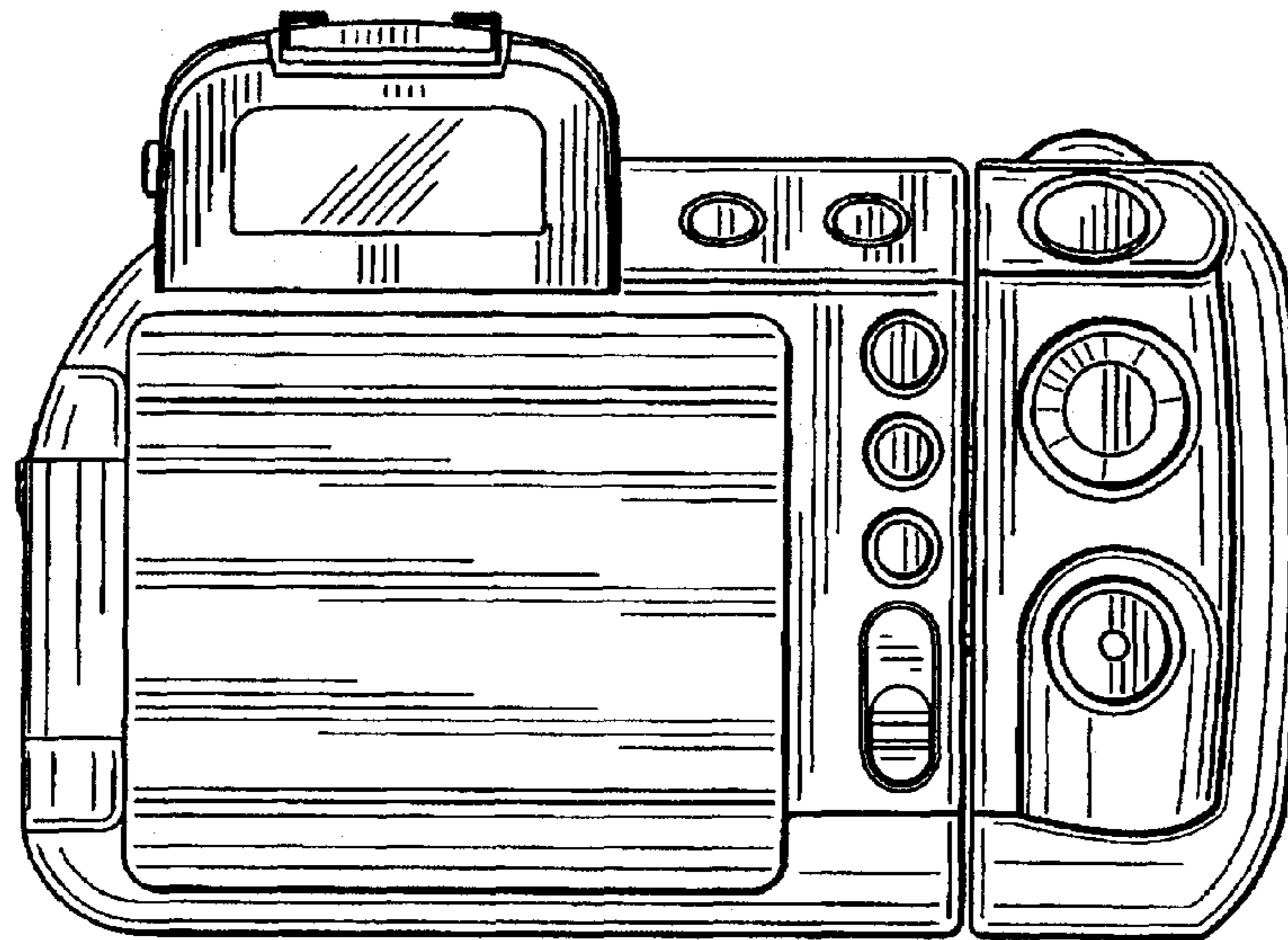


Fig. 6

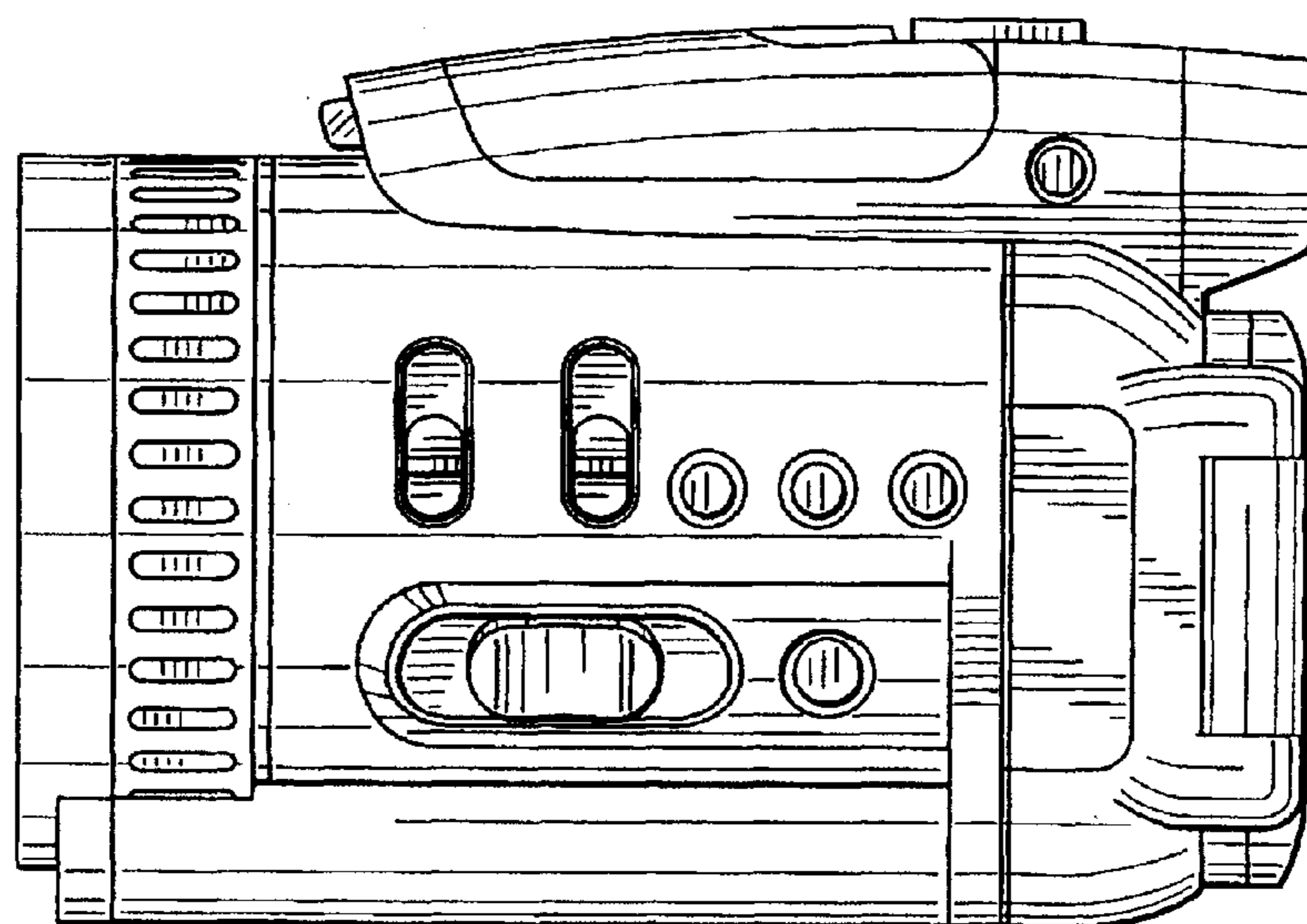


Fig. 7

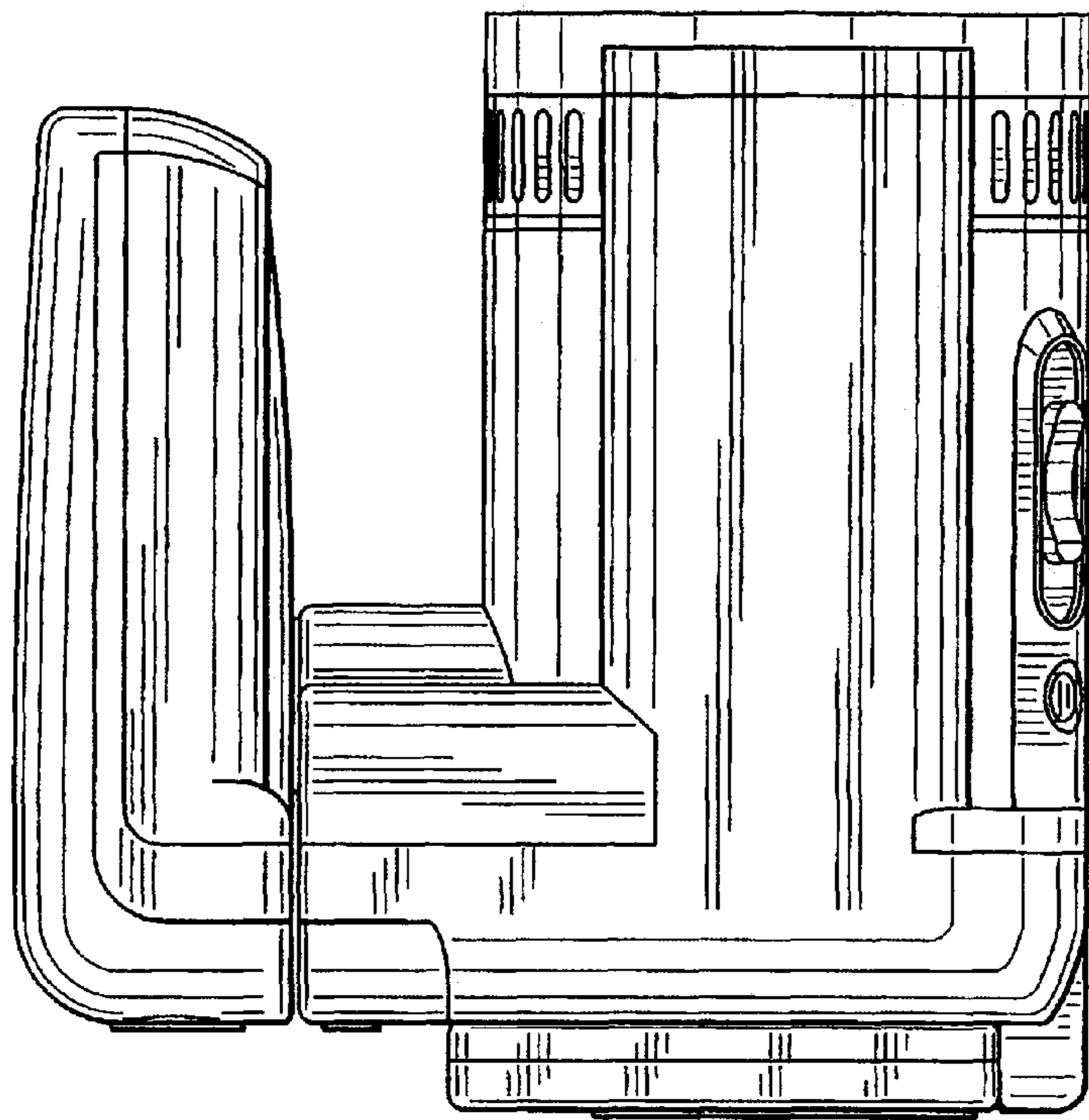


Fig. 8

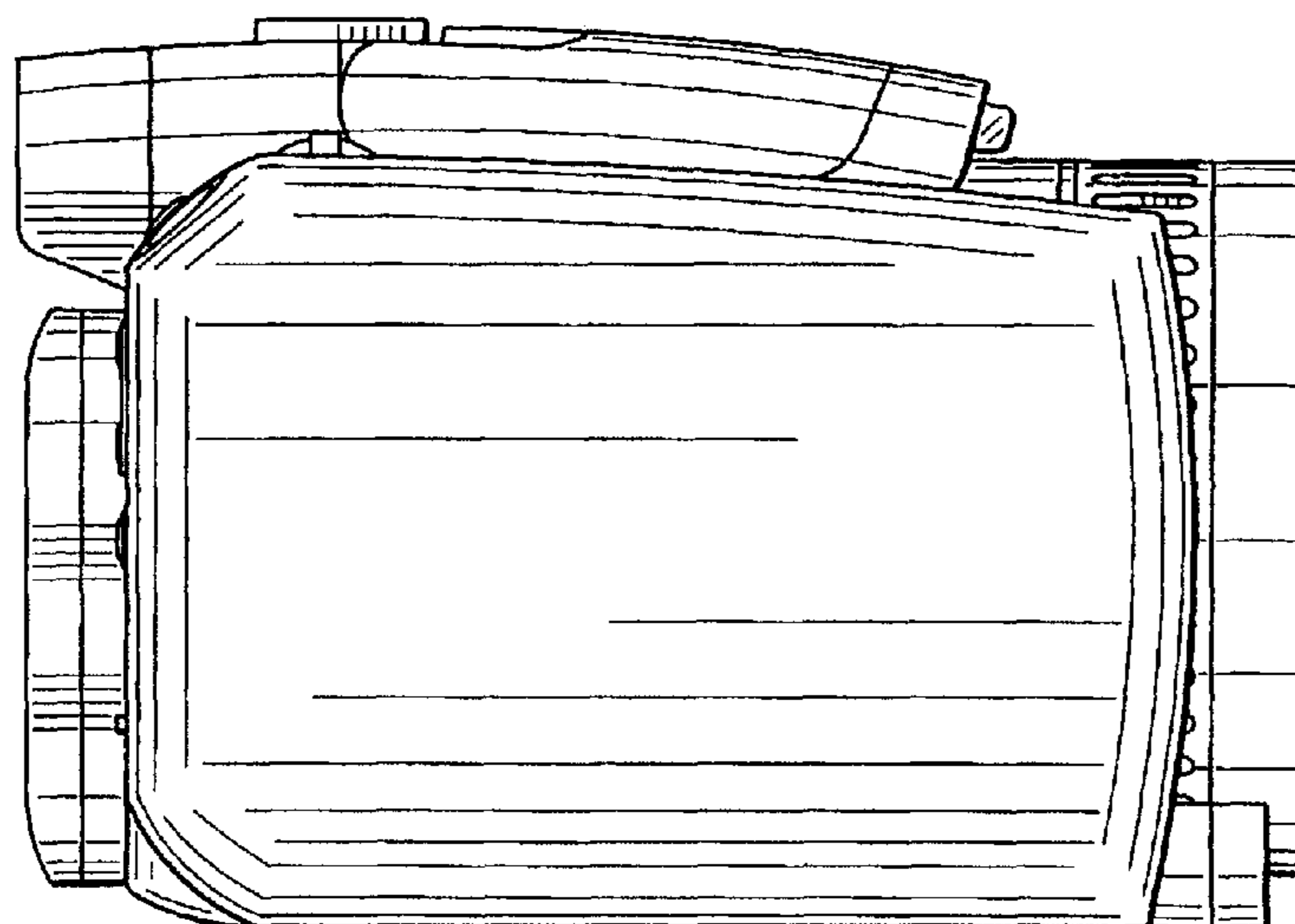


Fig. 9