



US00D520042S

(12) **United States Design Patent**  
**Kimura et al.**

(10) **Patent No.:** **US D520,042 S**

(45) **Date of Patent:** **\*\* May 2, 2006**

(54) **BINOCULARS**

(75) Inventors: **Hiroyuki Kimura**, Tokyo (JP); **Taro Sakai**, Yokohama (JP)

(73) Assignee: **Canon Kabushiki Kaisha**, Tokyo (JP)

(\*\*) Term: **14 Years**

(21) Appl. No.: **29/223,833**

(22) Filed: **Feb. 22, 2005**

(30) **Foreign Application Priority Data**

Dec. 8, 2004 (JP) ..... 2004-037470

(51) **LOC (8) Cl.** ..... **16-06**

(52) **U.S. Cl.** ..... **D16/133**

(58) **Field of Classification Search** ..... D16/130,  
D16/132, 133, 136; 359/408-412, 414-416,  
359/418, 419, 420

See application file for complete search history.

(56) **References Cited**

**U.S. PATENT DOCUMENTS**

D306,606 S \* 3/1990 Yamanaka et al. .... D16/133  
5,191,471 A \* 3/1993 Funathu ..... 359/414

D359,972 S \* 7/1995 Takahashi ..... D16/133  
D376,164 S \* 12/1996 Hasegawa et al. .... D16/133  
D399,859 S \* 10/1998 Hasegawa ..... D16/133  
D406,597 S 3/1999 Kimura et al.  
D430,182 S \* 8/2000 Miyahara ..... D16/133  
D472,257 S \* 3/2003 Fujii ..... D16/133

\* cited by examiner

*Primary Examiner*—Paula A. Greene

(74) *Attorney, Agent, or Firm*—Fitzpatrick, Cella, Harper & Scinto

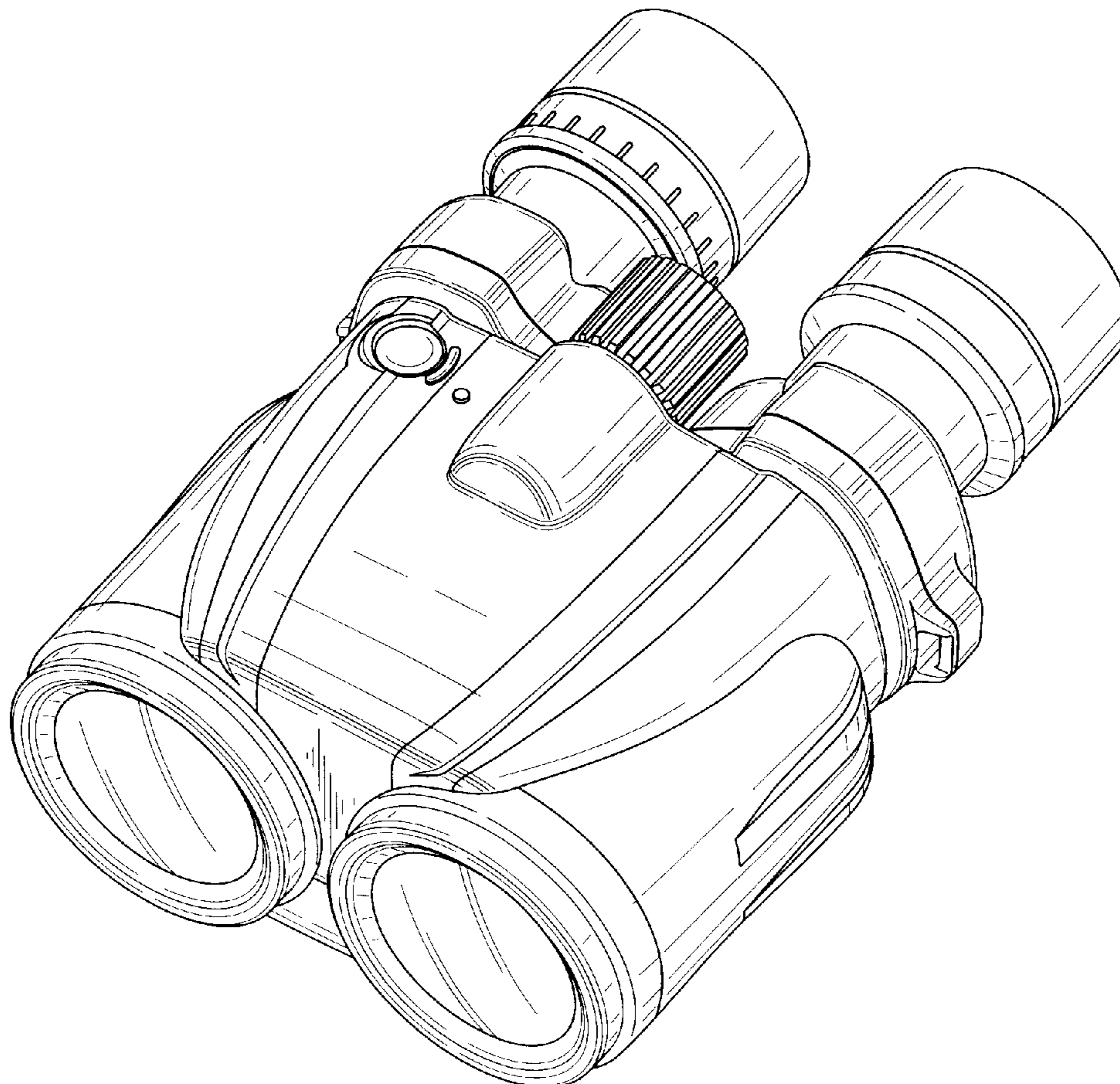
(57) **CLAIM**

The ornamental design for binoculars, as shown and described.

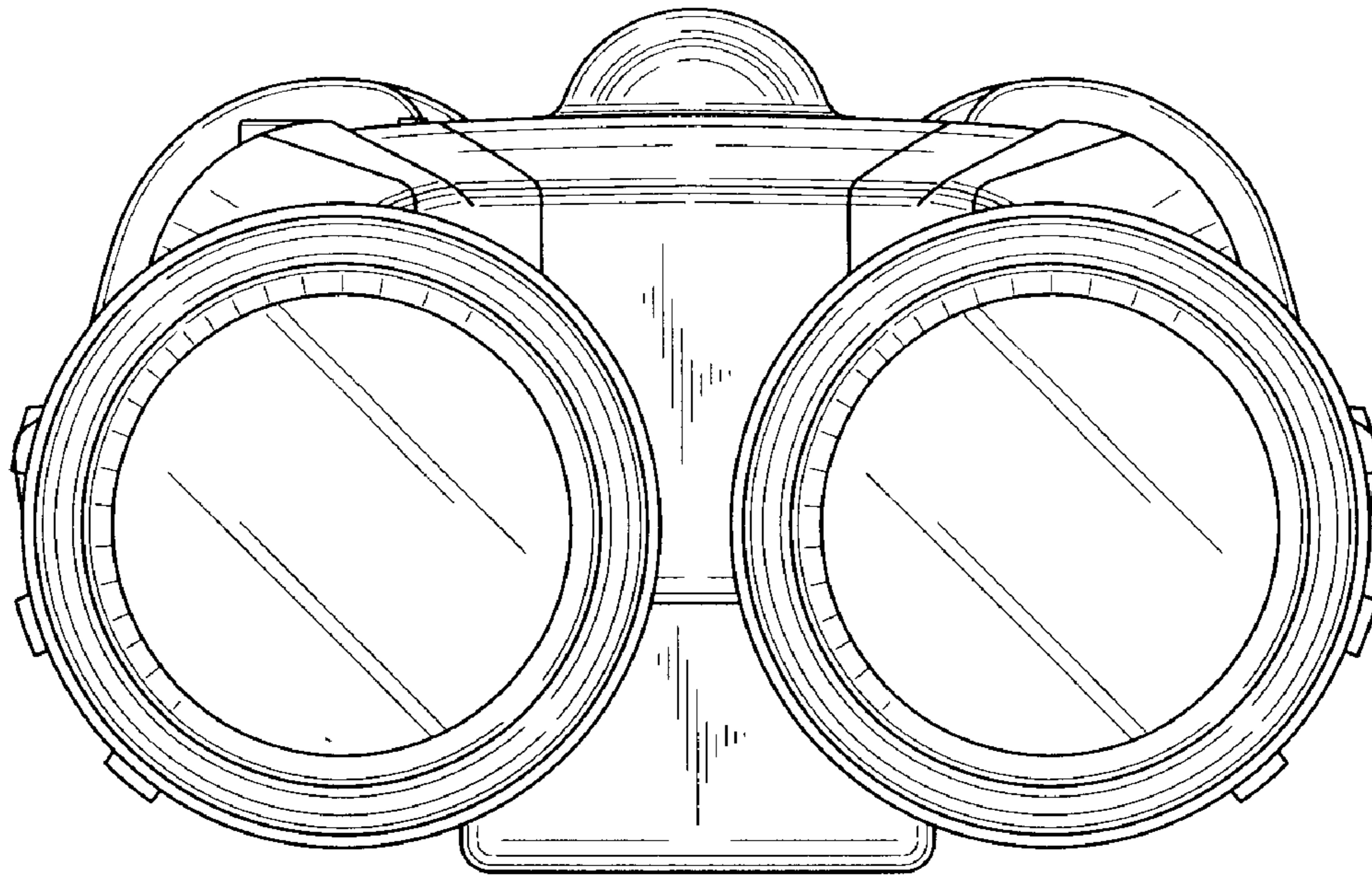
**DESCRIPTION**

FIG. 1 is a front view of binoculars showing our new design; FIG. 2 is a rear view thereof; FIG. 3 is a top plan view thereof; FIG. 4 is a bottom plan view thereof; FIG. 5 is a left side view thereof; FIG. 6 is a right side view thereof; and, FIG. 7 is a perspective view thereof.

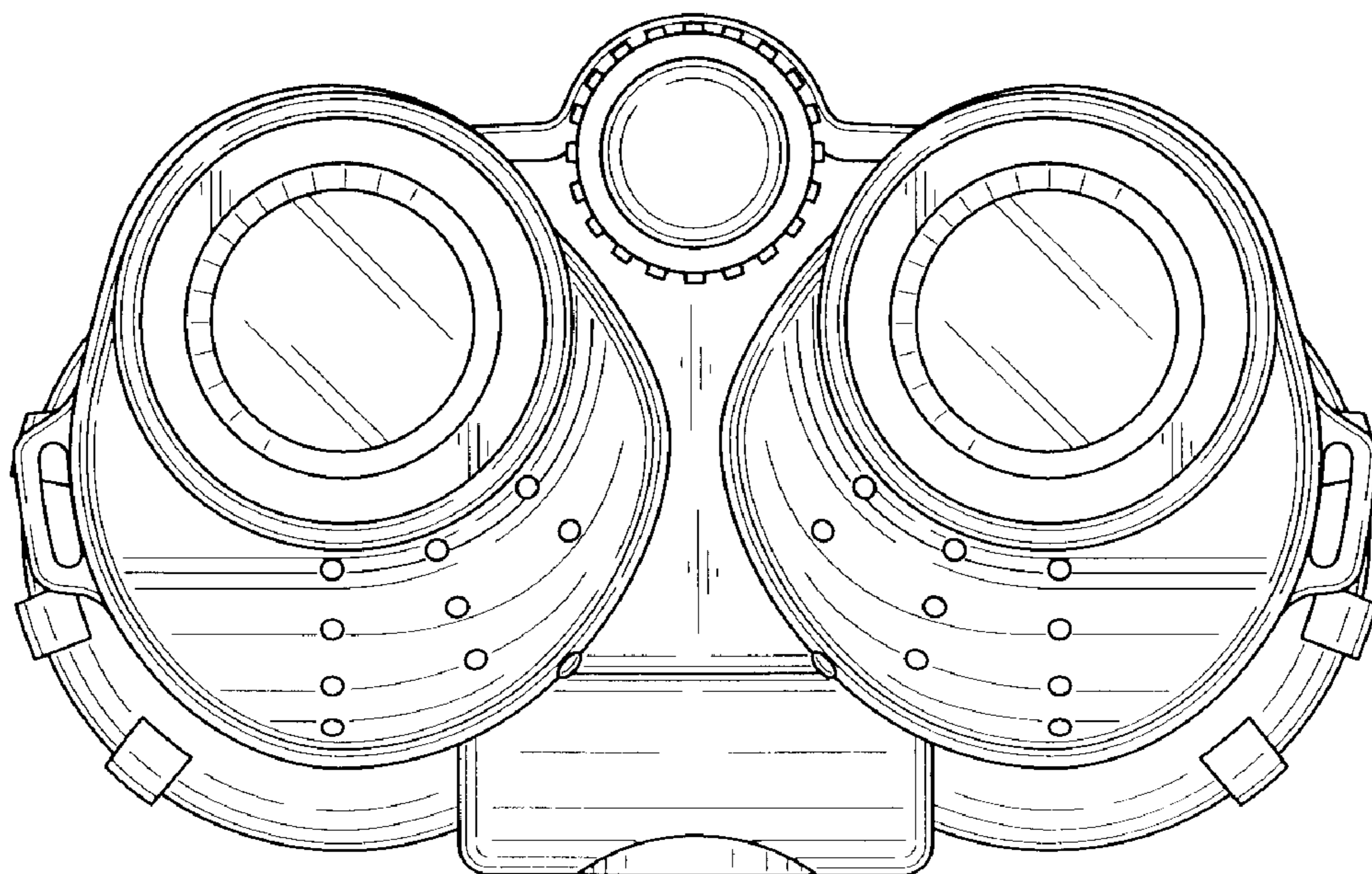
**1 Claim, 5 Drawing Sheets**



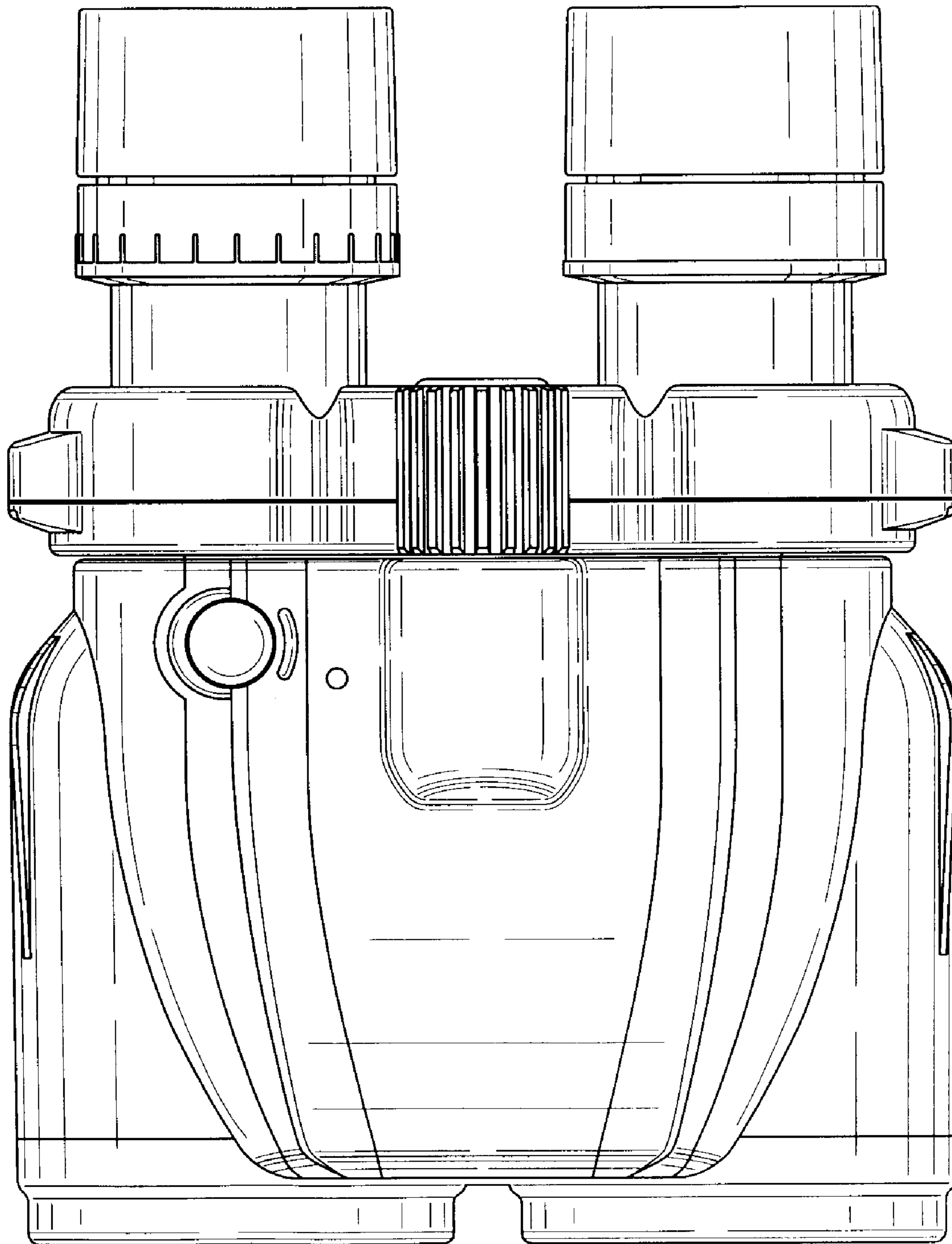
*FIG. 1*



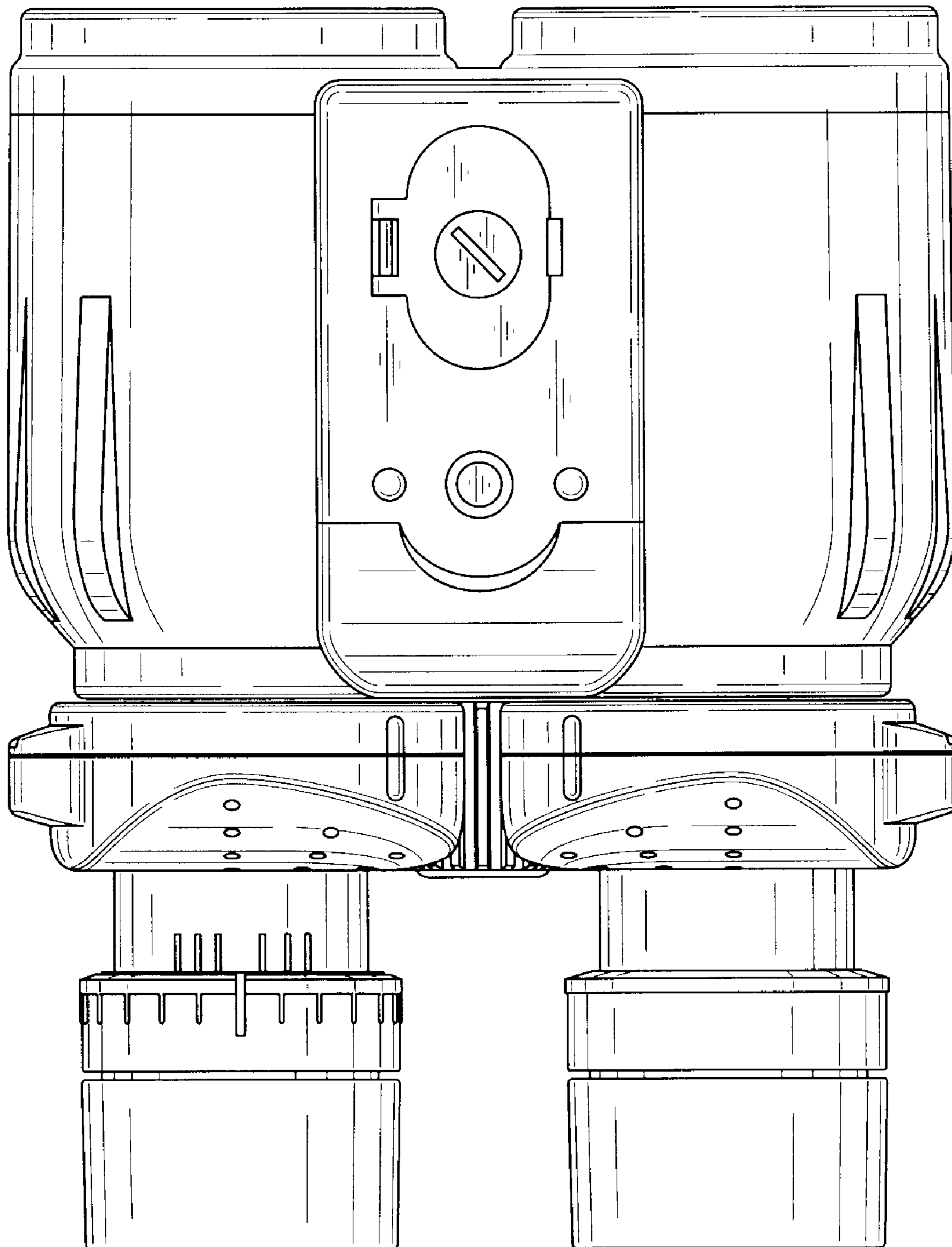
*FIG. 2*



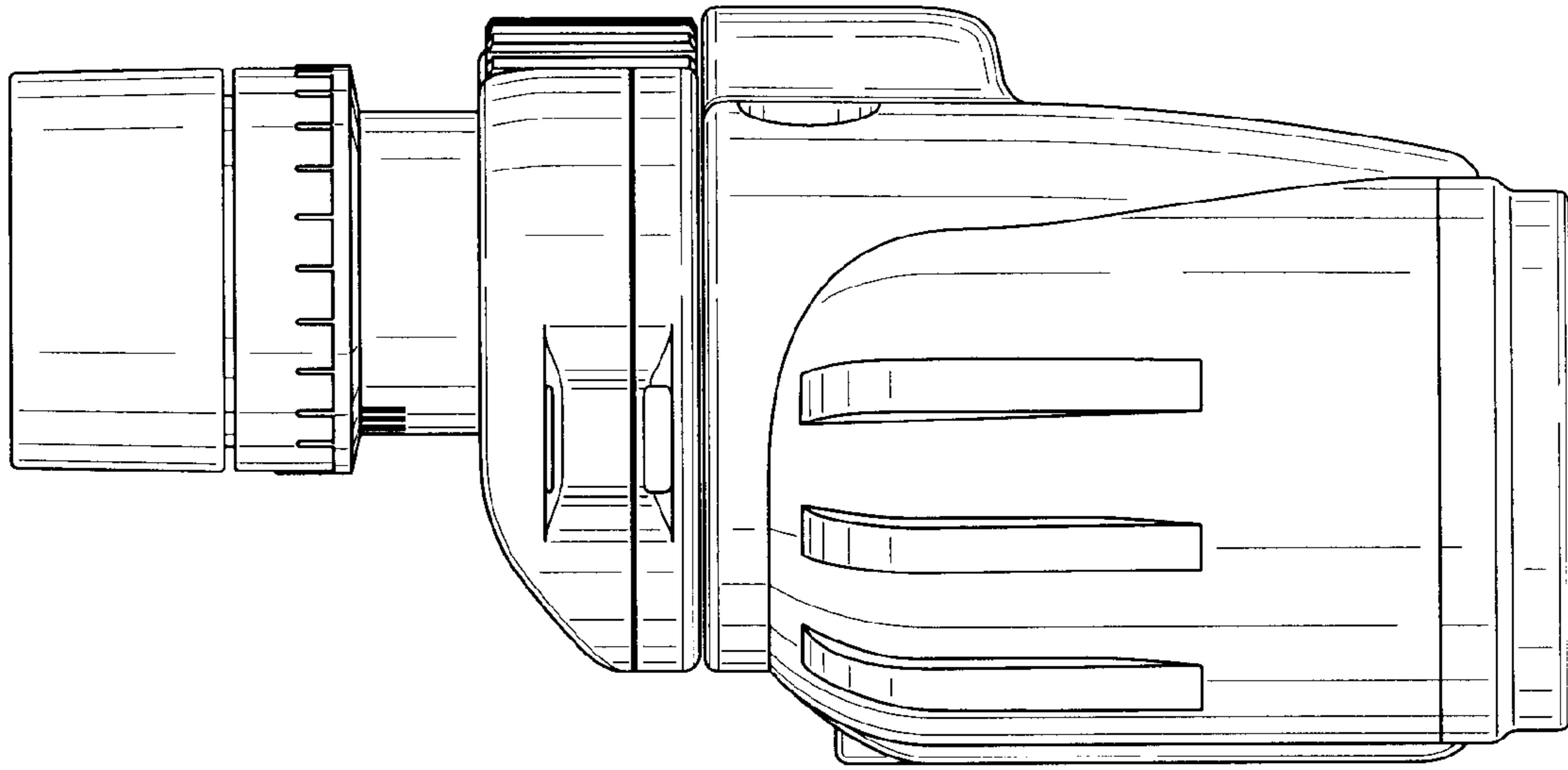
*FIG. 3*



*FIG. 4*



*FIG. 5*



*FIG. 6*

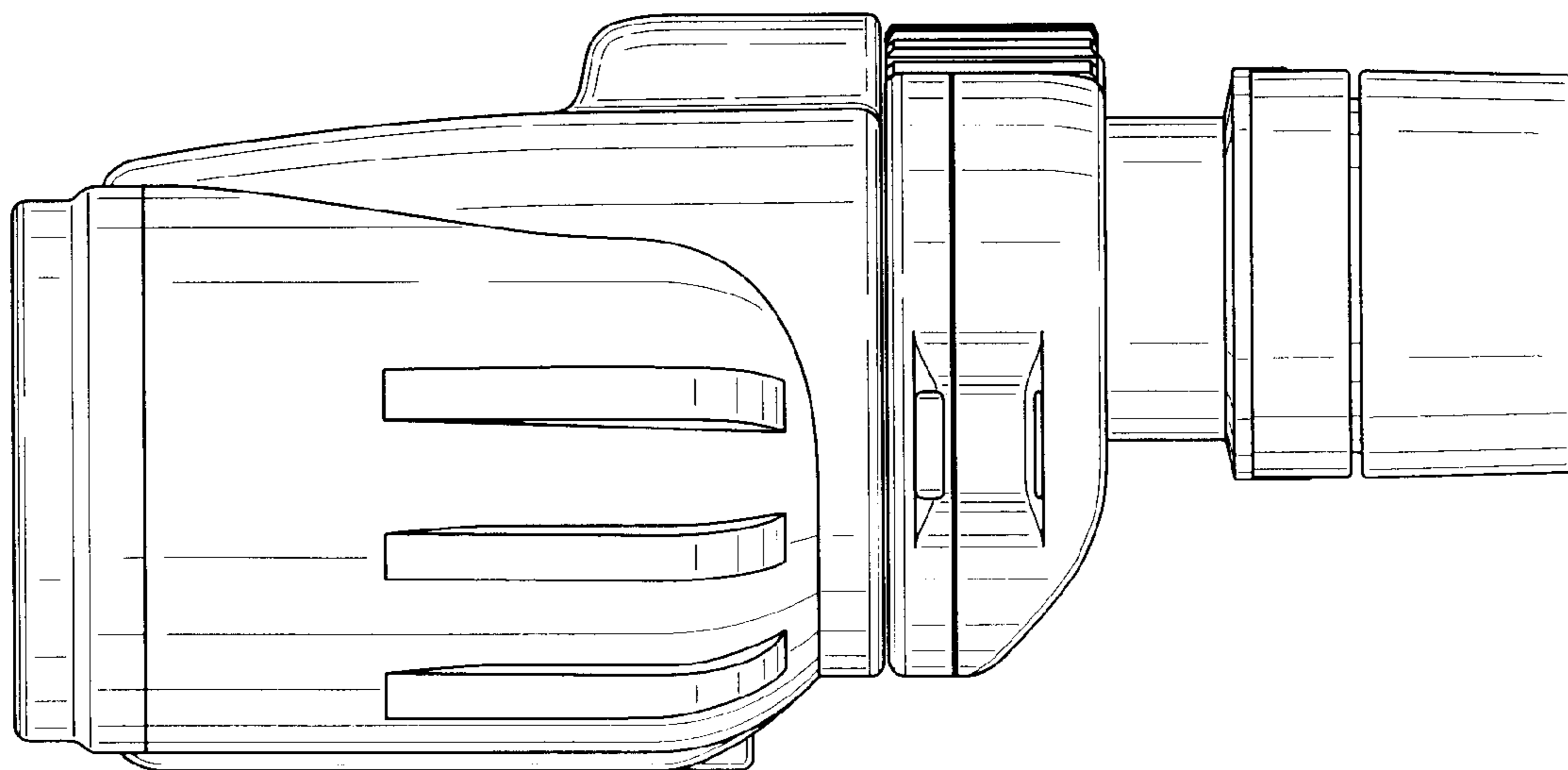


FIG. 7

