



US00D520041S

(12) **United States Design Patent**
Wheat

(10) **Patent No.:** **US D520,041 S**

(45) **Date of Patent:** **** May 2, 2006**

(54) **MAGNETIC ADAPTER FOR A UNIVERSAL
SHAFT SENSOR MOUNT**

(76) Inventor: **Jonathan Wheat**, 1017 N. Glenwood
Ave., Peoria, IL (US) 61606

(**) Term: **14 Years**

(21) Appl. No.: **29/206,433**

(22) Filed: **Jun. 1, 2004**

Related U.S. Application Data

(63) Continuation-in-part of application No. 09/862,225, filed on
May 22, 2001.

(51) **LOC (8) Cl.** **15-99**

(52) **U.S. Cl.** **D15/199; D13/184**

(58) **Field of Classification Search** D13/183;
D15/199; 73/493, 866.5; 248/309.4; 324/166-168,
324/173-174, 178-179, 207.25, 262
See application file for complete search history.

(56) **References Cited**

U.S. PATENT DOCUMENTS

D208,913 S * 10/1967 Techtmann D13/183

D229,698 S * 12/1973 Kretzer D13/183
D307,745 S * 5/1990 Adams D13/183
5,089,775 A * 2/1992 Takeda 324/174
5,880,585 A * 3/1999 Oguro 324/174
6,534,979 B1 * 3/2003 Wineland 324/262
6,761,078 B1 * 7/2004 Allen 73/866.5
6,865,962 B1 * 3/2005 Gorg et al. 73/866.5
6,925,898 B1 * 8/2005 McVicar 73/866.5

* cited by examiner

Primary Examiner—Antoine D. Davis

(74) *Attorney, Agent, or Firm*—Kajane McManus

(57) **CLAIM**

The ornamental design for a magnetic adapter for a universal
shaft sensor mount, substantially as shown and described.

DESCRIPTION

FIG. 1 is a perspective view.

FIG. 2 is a top view.

FIG. 3 is a bottom view.

FIG. 4 is a peripheral view; and,

FIG. 5 is a peripheral view taken 90° from FIG. 4.

1 Claim, 1 Drawing Sheet

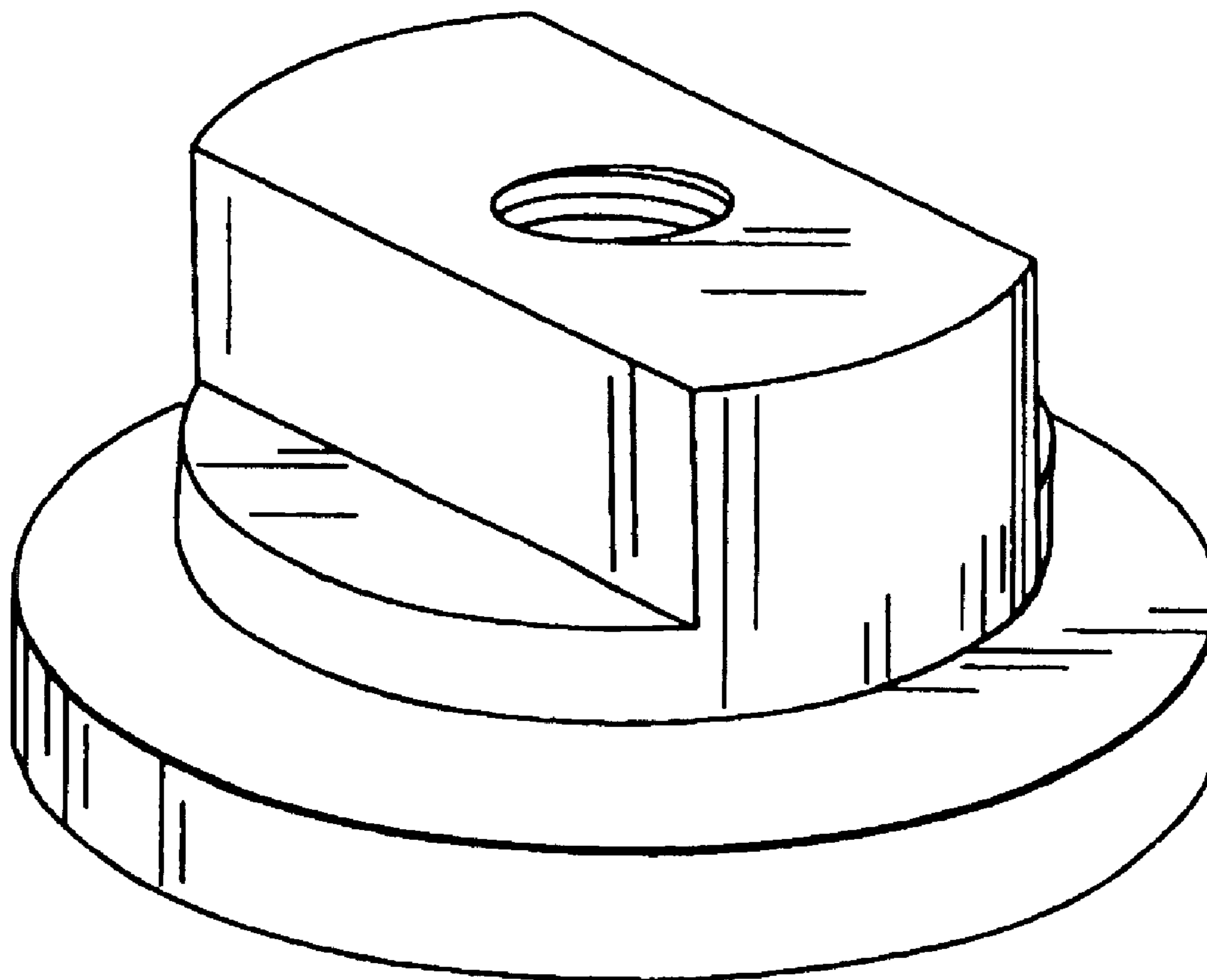


FIG. 3

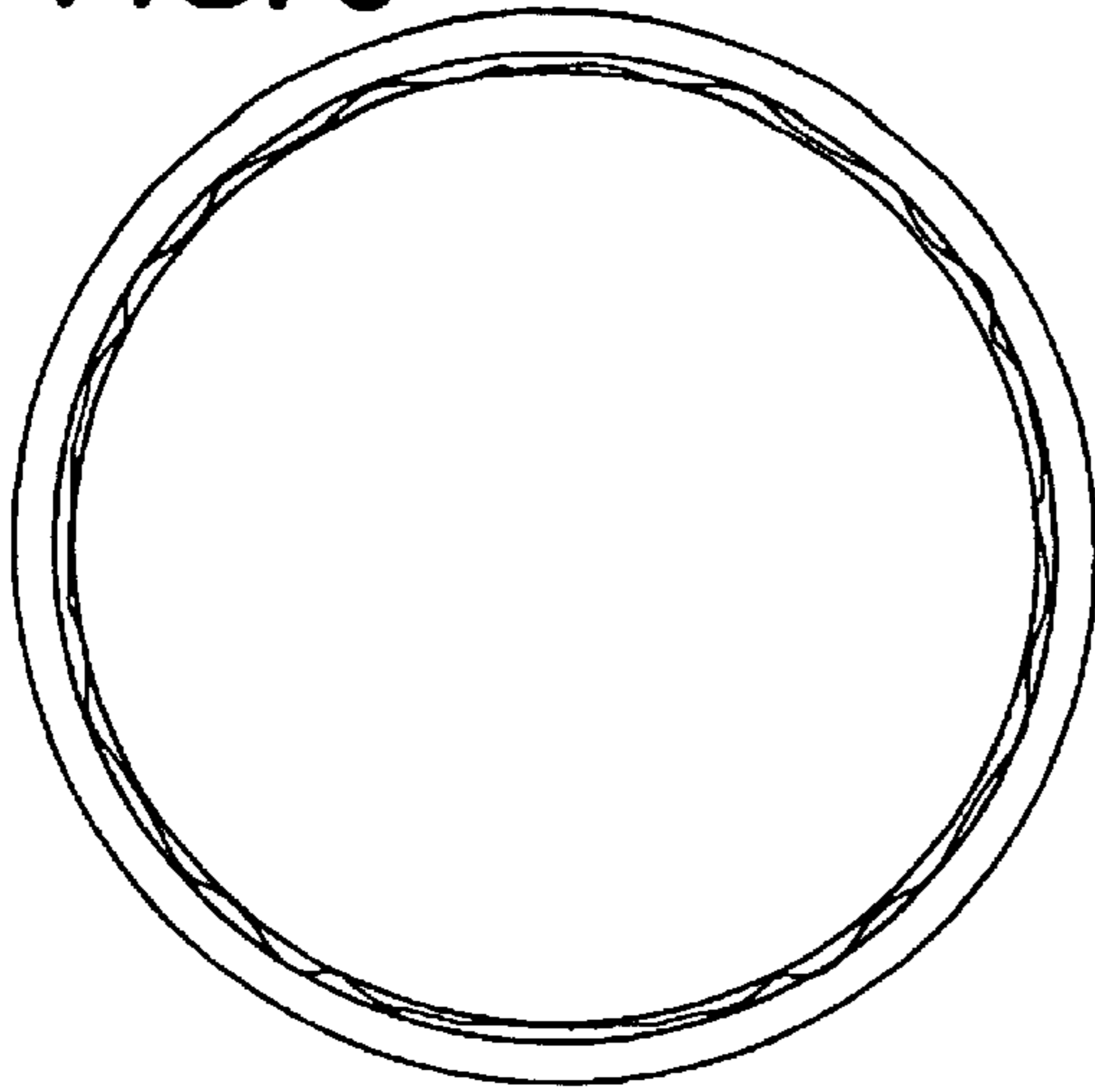


FIG. 2

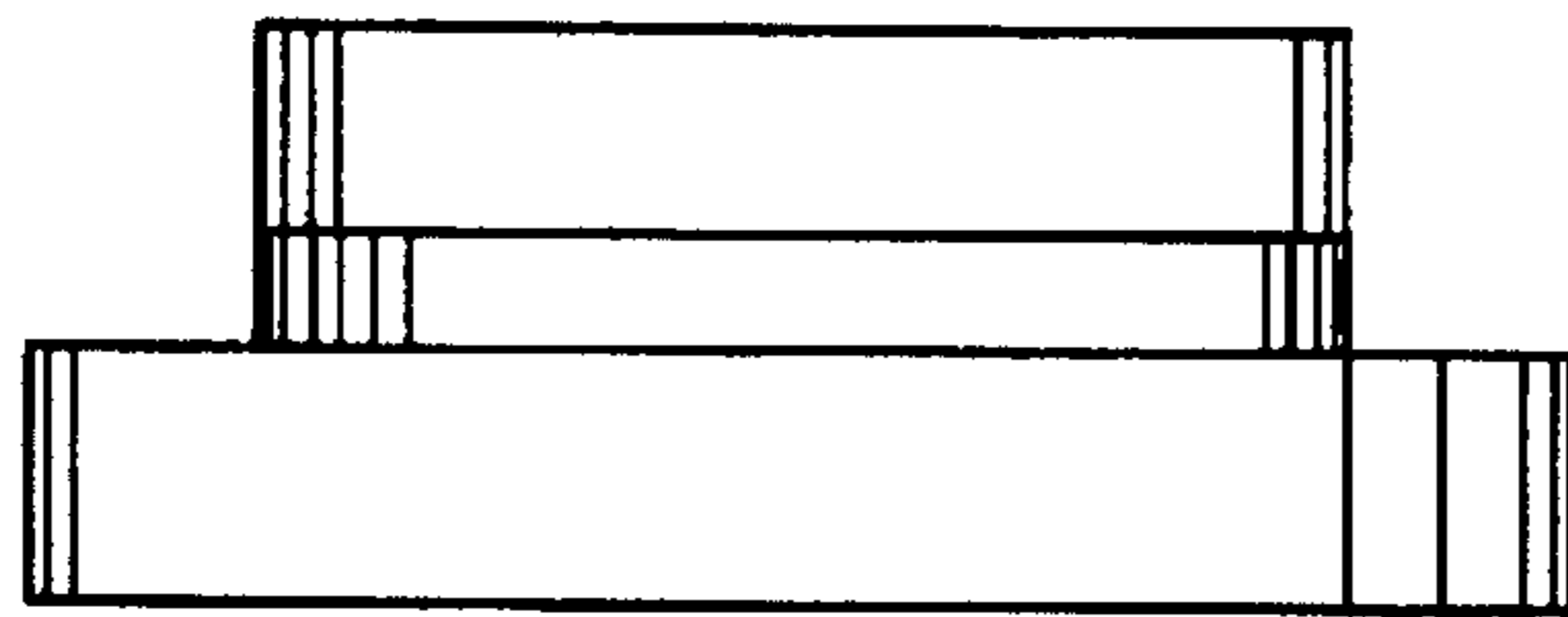
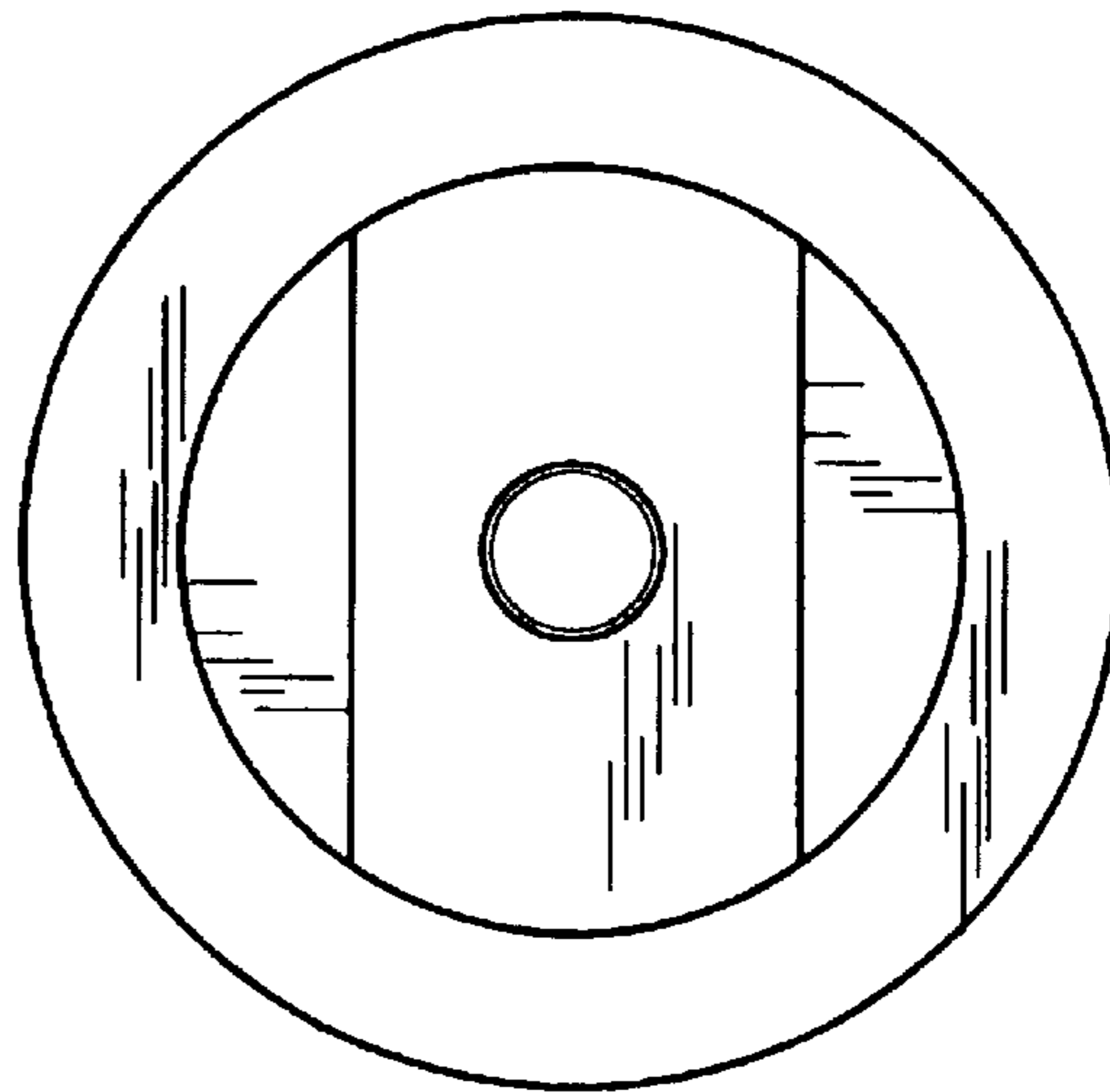


FIG. 4

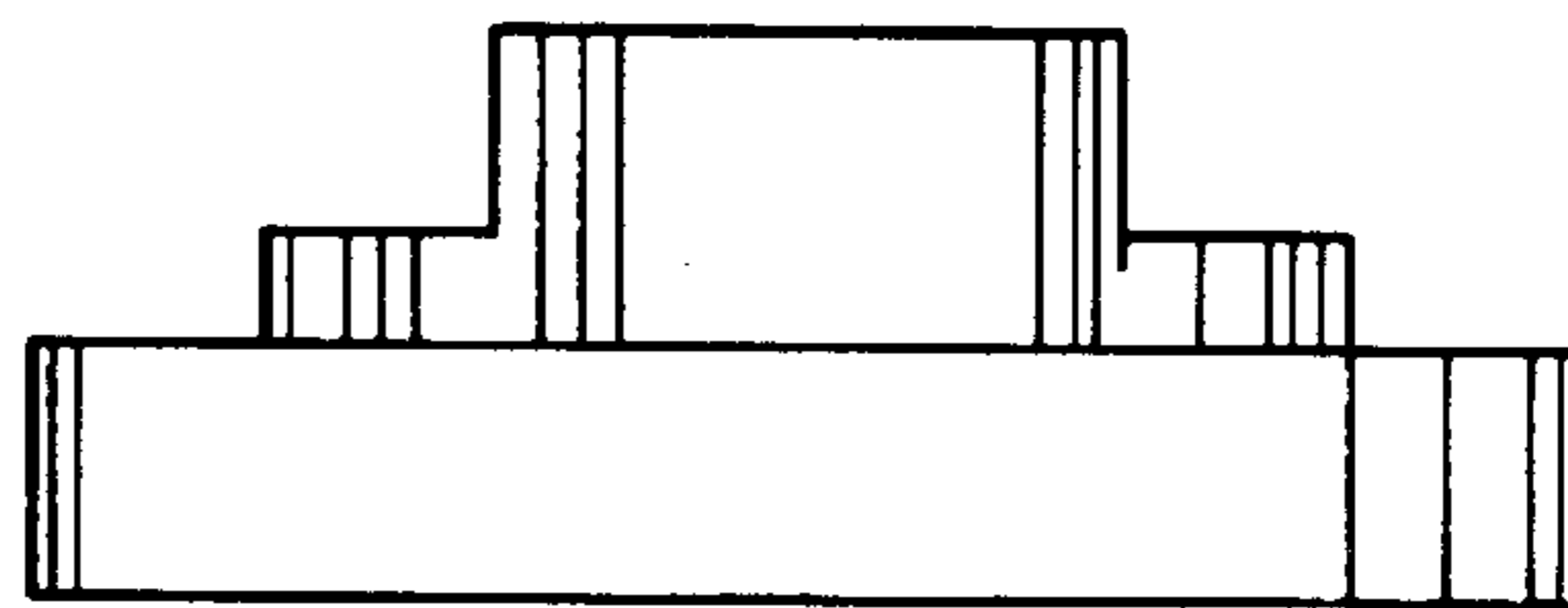


FIG. 5

FIG. 1

