



US00D520040S

(12) **United States Design Patent**
Müller et al.

(10) **Patent No.:** **US D520,040 S**

(45) **Date of Patent:** **** May 2, 2006**

(54) **TRANSMISSION CASING**

(75) Inventors: **Friedrich Müller**, Eisingen (DE);
Artur Wagner, Remchingen (DE)

(73) Assignee: **Stöber Antriebstechnik GmbH & Co.**,
Pforzheim (DE)

(**) Term: **14 Years**

(21) Appl. No.: **29/209,607**

(22) Filed: **Jul. 20, 2004**

(30) **Foreign Application Priority Data**

Jan. 20, 2004 (DE) 4 04 00 271

(51) **LOC (8) Cl.** **15-09**

(52) **U.S. Cl.** **D15/149**

(58) **Field of Classification Search** D15/148-149;
74/606 R, 421 A, 421 R

See application file for complete search history.

(56) **References Cited**

U.S. PATENT DOCUMENTS

D202,930 S * 11/1965 Belezos et al. D15/149
5,295,413 A * 3/1994 Sherman 74/606 R

* cited by examiner

Primary Examiner—Antoine D. Davis

Assistant Examiner—Patricia Palasik

(74) *Attorney, Agent, or Firm*—Gudrun E. Hockett

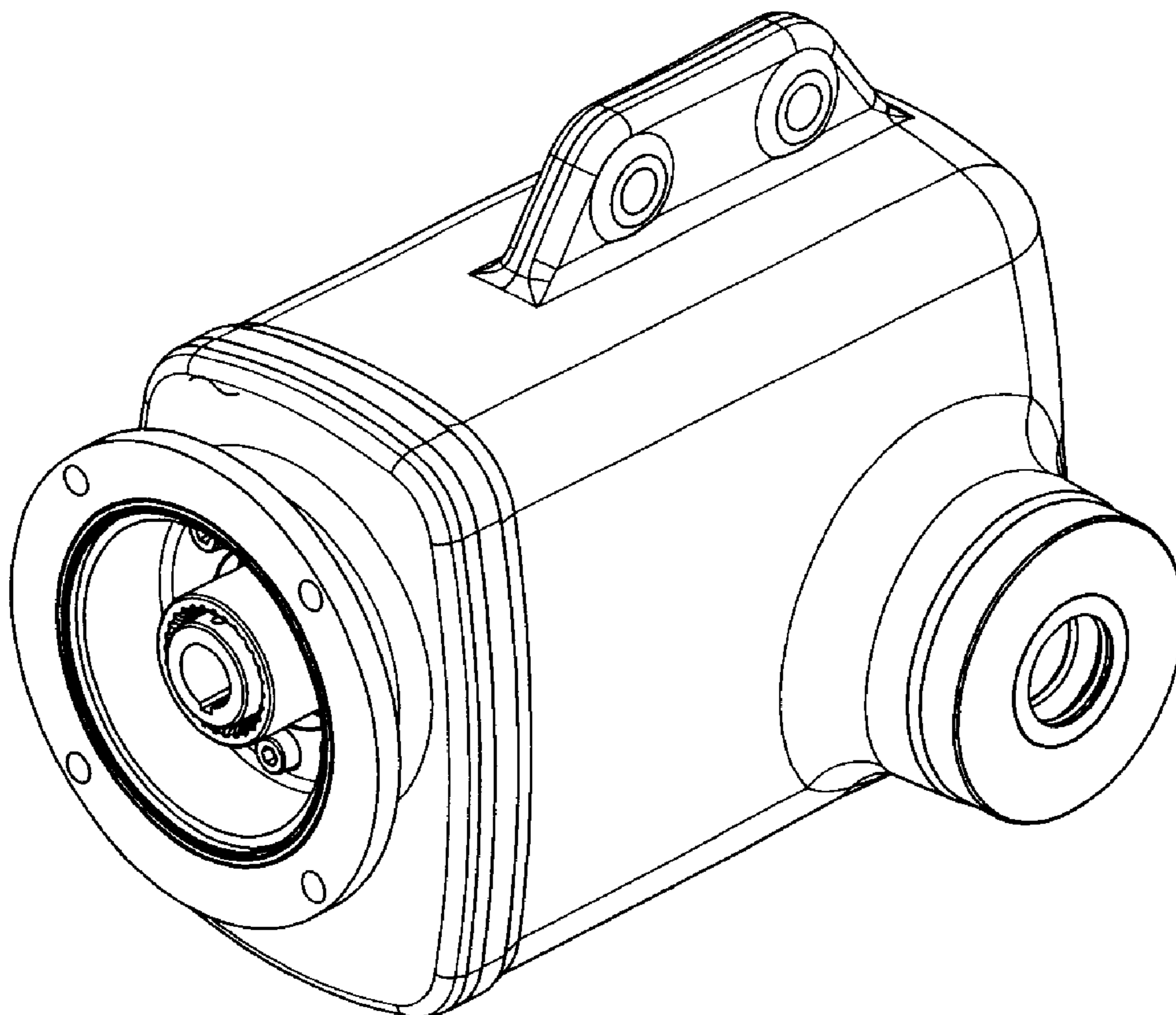
(57) **CLAIM**

The ornamental design for a transmission casing, as shown and described.

DESCRIPTION

FIG. 1 is a first perspective view of our transmission casing; FIG. 2 is a top plan view of our transmission casing; FIG. 3 is a bottom plan view of our transmission casing; FIG. 4 is an end view of our transmission casing showing the end illustrated in FIG. 1; FIG. 5 is a side view of our transmission casing showing the side illustrated in FIG. 1; FIG. 6 is a second perspective view of our transmission casing showing the transmission casing in a position rotated 180° relative to FIG. 1; FIG. 7 is a second end view of our transmission casing showing the flange end; and, FIG. 8 is a second side view of our transmission casing showing the side illustrated in FIG. 6.

1 Claim, 4 Drawing Sheets



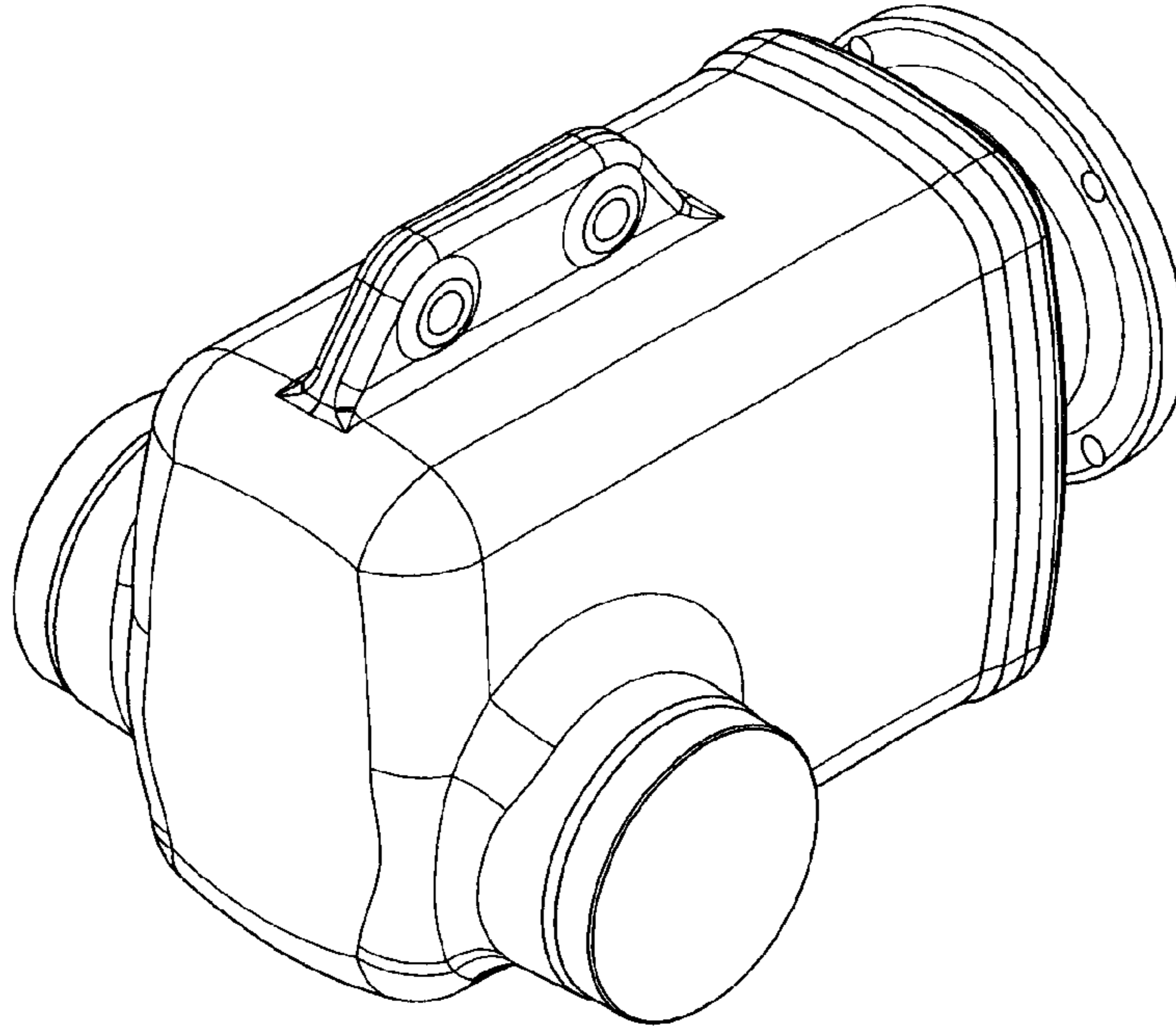


Fig. 1

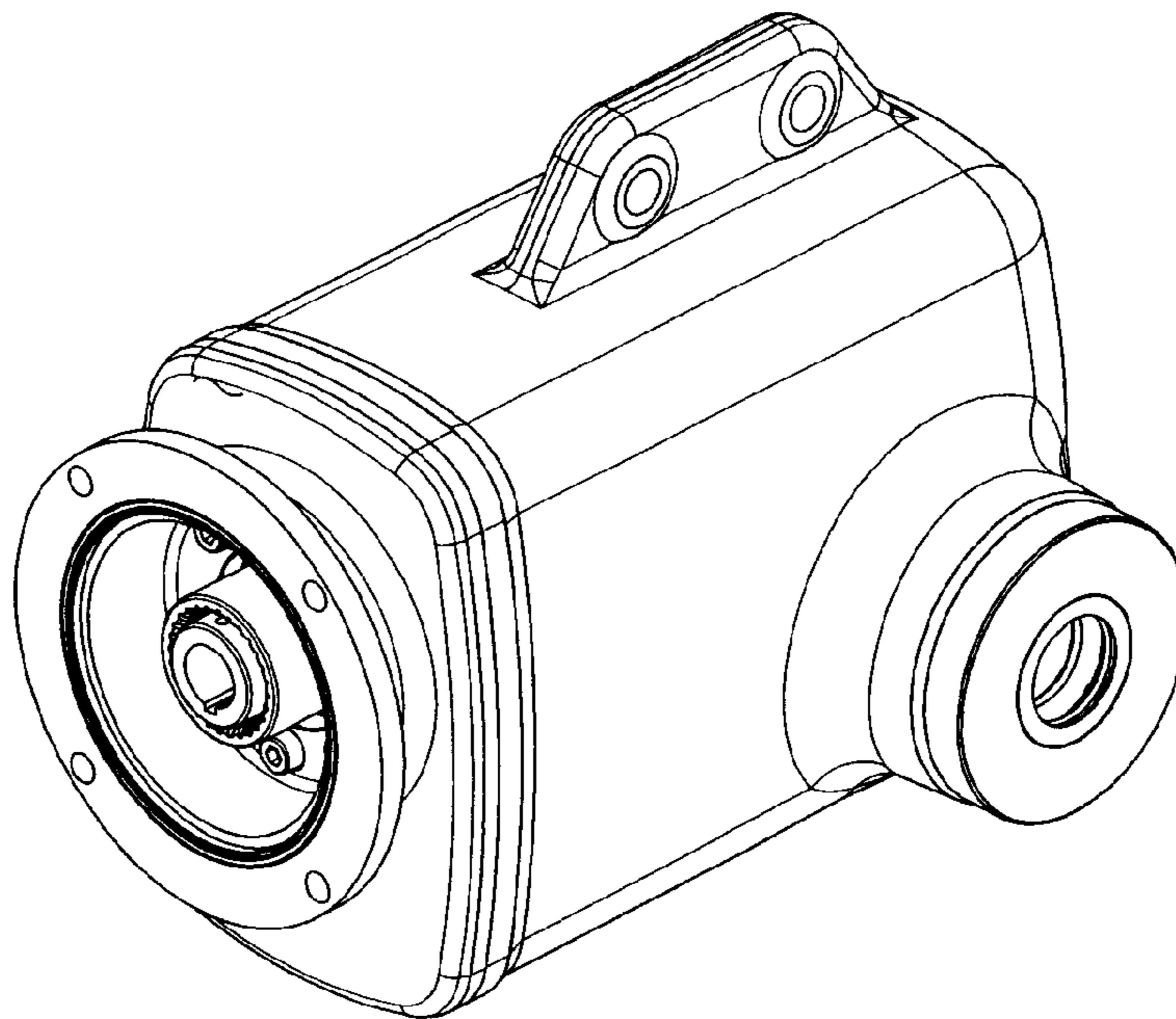


Fig. 6

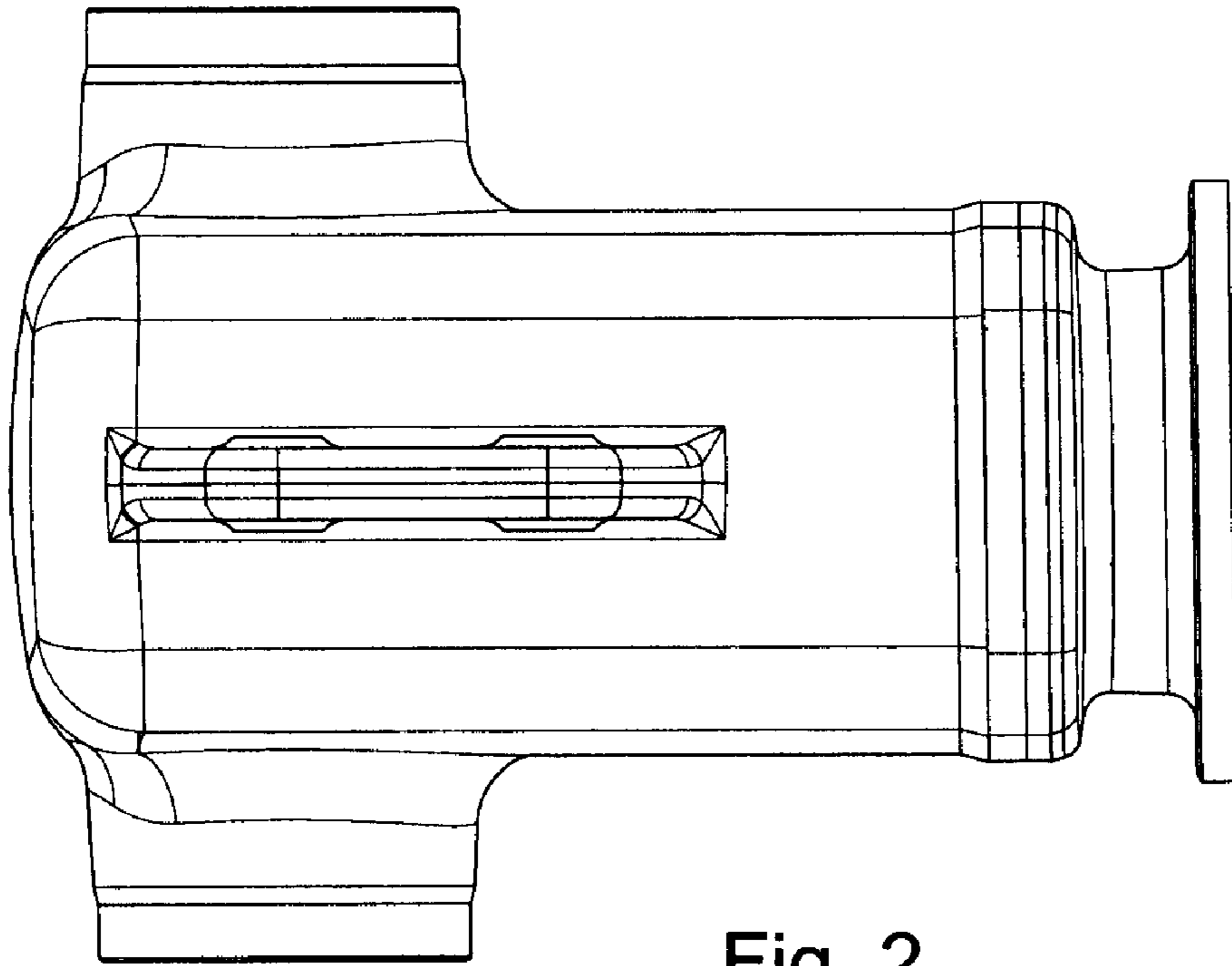


Fig. 2

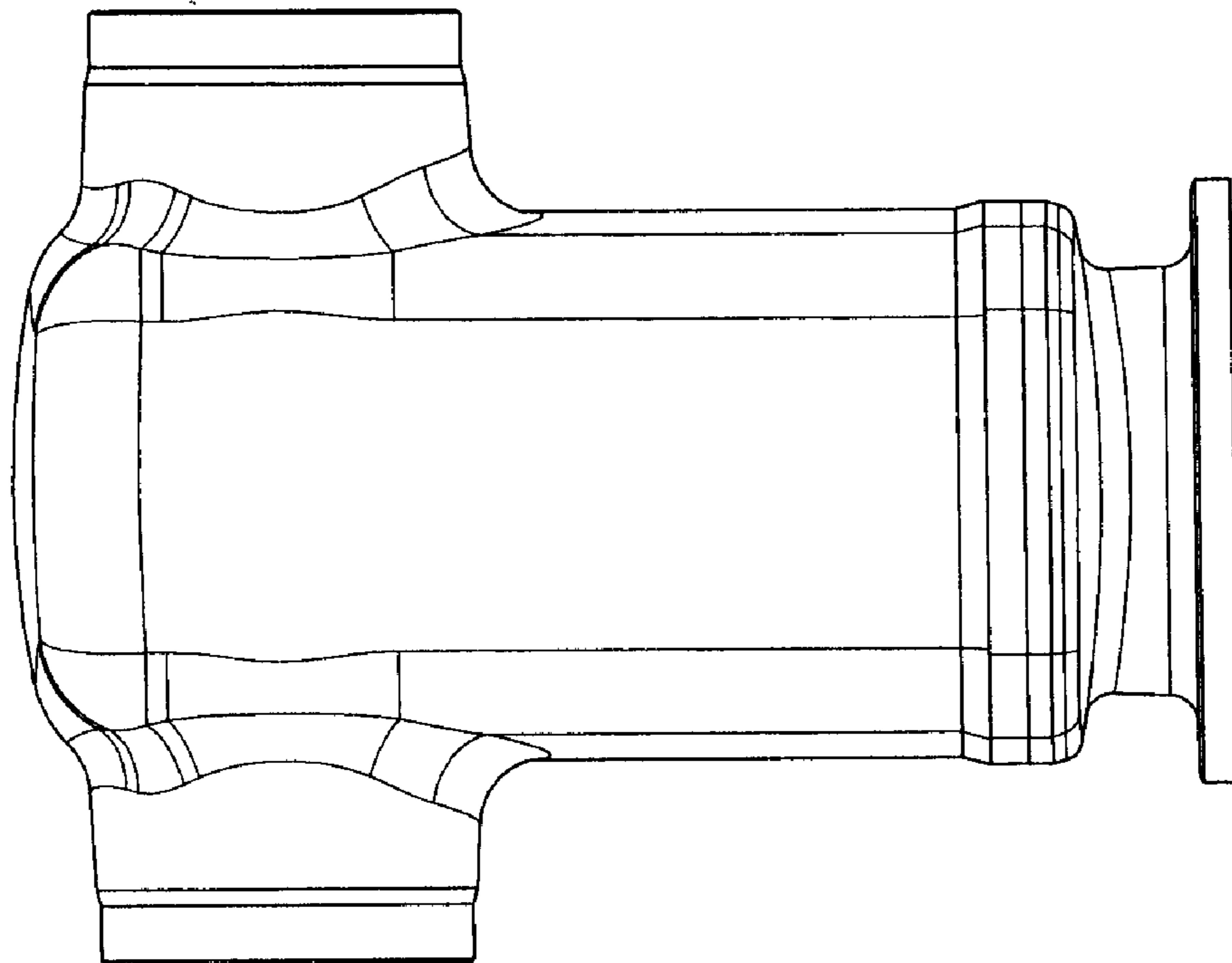


Fig. 3

Fig. 5

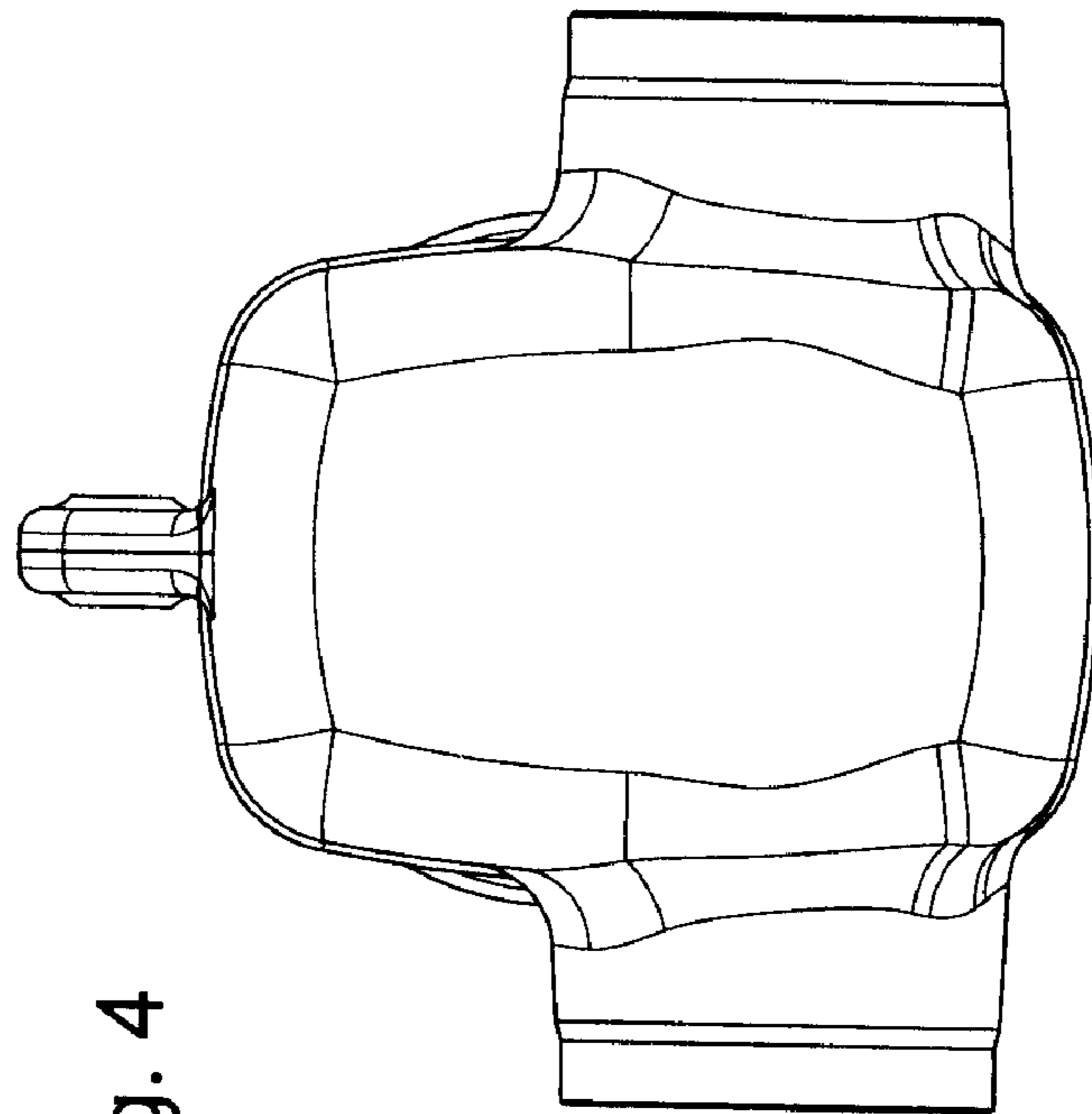
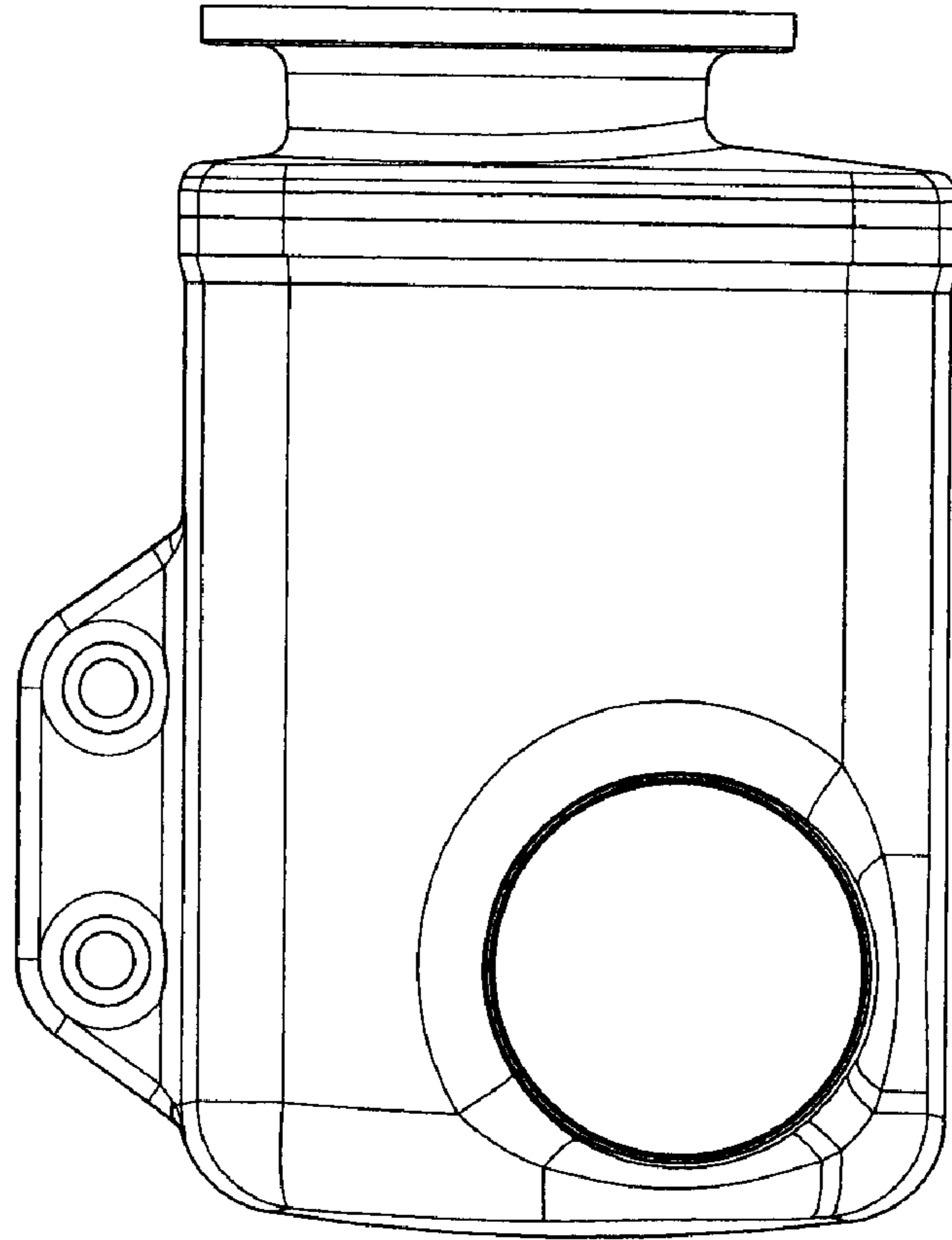


Fig. 4

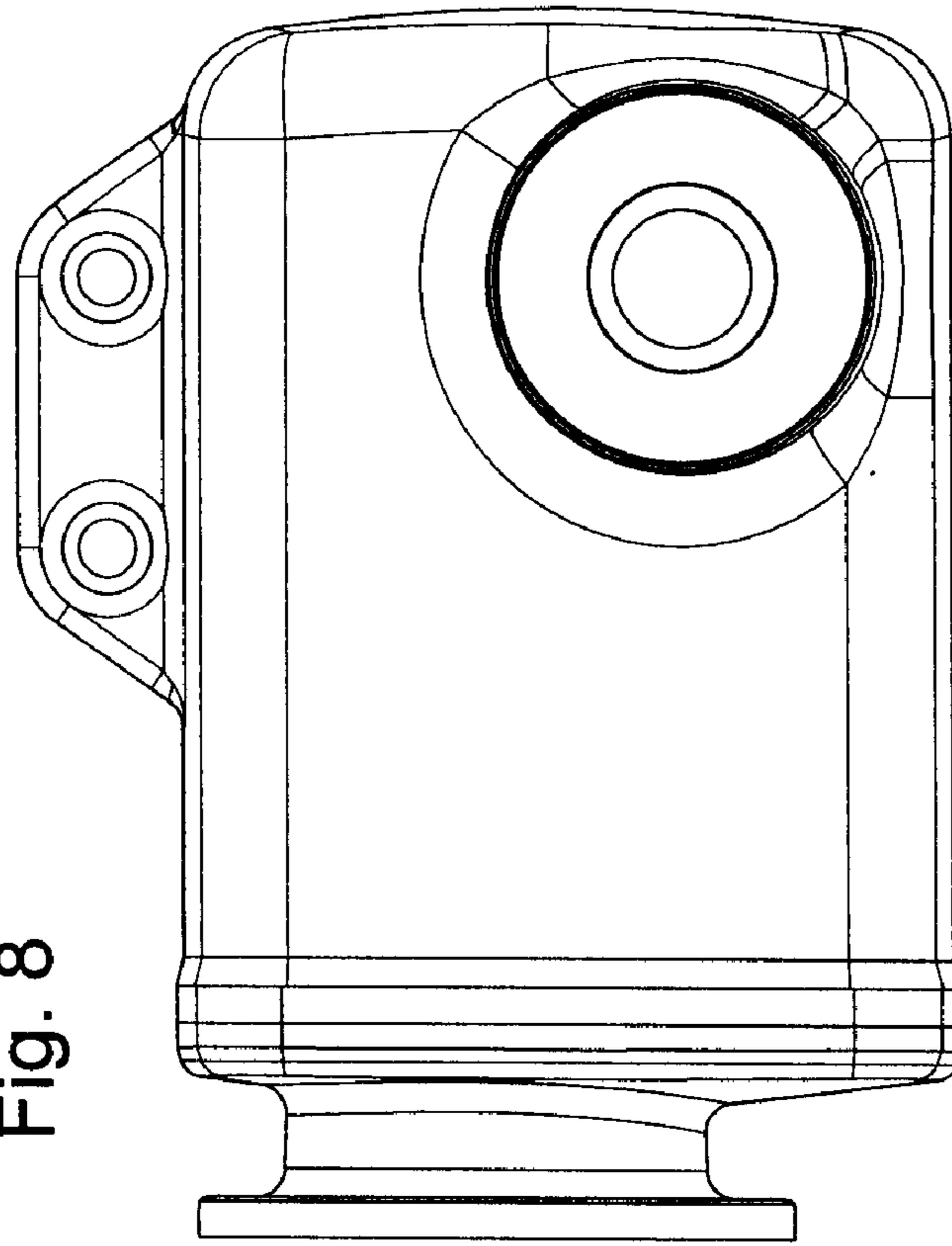


Fig. 8

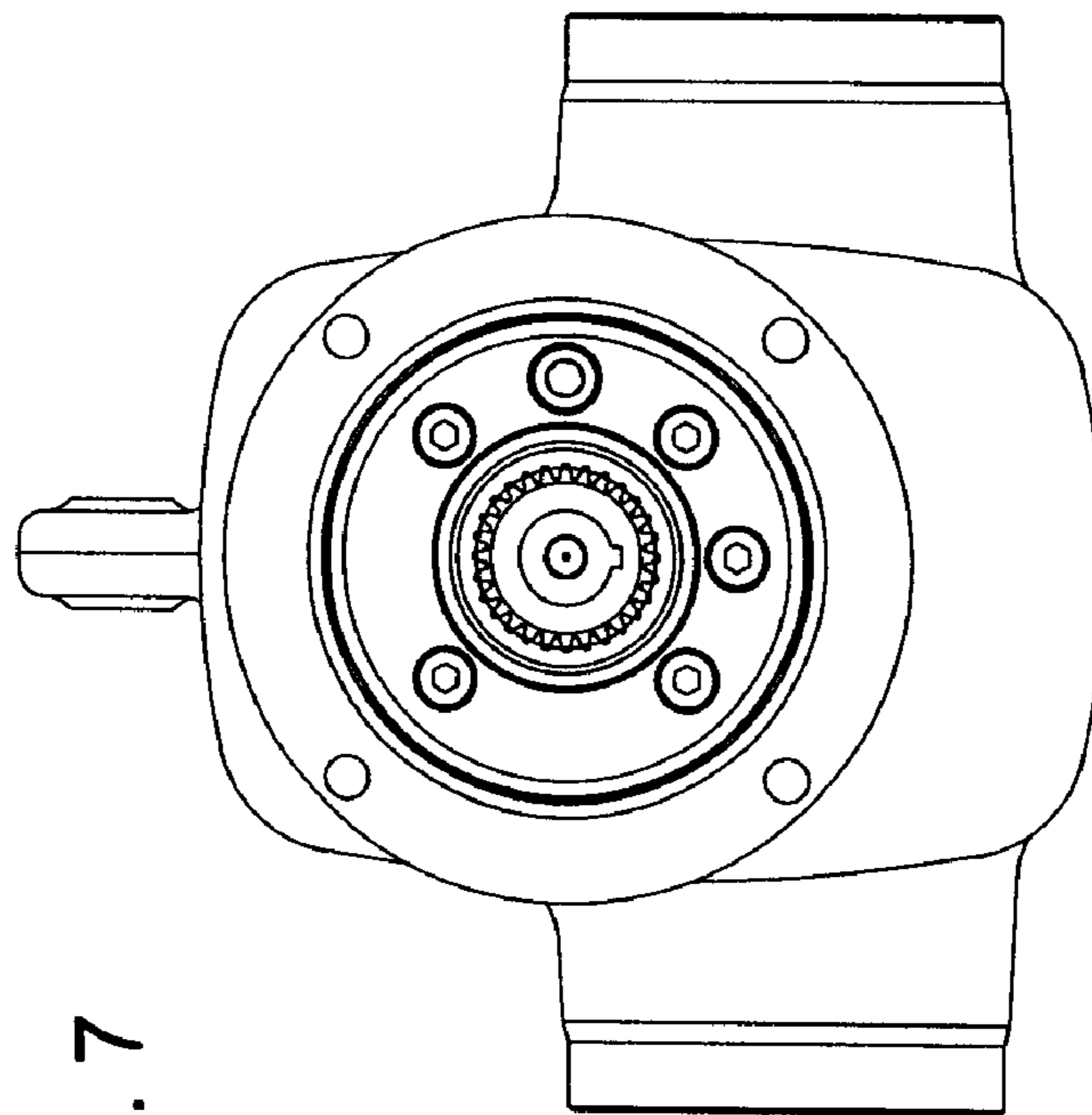


Fig. 7