

US00D520037S

(12) **United States Design Patent**
Furujo et al.

(10) **Patent No.:** **US D520,037 S**

(45) **Date of Patent:** **** May 2, 2006**

(54) **NOZZLE FOR PLASMA TORCH**

6,683,273 B1 * 1/2004 Conway et al. 219/121.51
D496,376 S * 9/2004 Colson, Jr. D15/144
D500,064 S * 12/2004 Kuraoka et al. D15/144

(75) Inventors: **Akira Furujo**, Tokyo (JP); **Seiji Mizuno**, Tokyo (JP)

* cited by examiner

(73) Assignee: **Koike Sanso Kogyo Co., Ltd.**, Tokyo (JP)

Primary Examiner—Antoine D. Davis
(74) *Attorney, Agent, or Firm*—Townsend & Banta

(**) Term: **14 Years**

(57) **CLAIM**

(21) Appl. No.: **29/214,157**

The ornamental design for a nozzle for plasma torch, as shown and described.

(22) Filed: **Sep. 29, 2004**

DESCRIPTION

(30) **Foreign Application Priority Data**

Mar. 31, 2004 (JP) 2004-009851

FIG. 1 is a front view of our nozzle for a plasma torch showing our design. The broken line showing of the nozzle in FIGS. 1, 2, 4 and 5 is for illustrative purposes only and forms no part of the claimed design.

(51) **LOC (8) Cl.** **15-09**

(52) **U.S. Cl.** **D15/144**

(58) **Field of Classification Search** D15/144-144.2;
219/121.4-121.5, 121.52, 121.57
See application file for complete search history.

FIG. 2 is a plan view of our nozzle;
FIG. 3 is a right side view of our nozzle;
FIG. 4 is a left side view of nozzle; and,
FIG. 5 is a cross-sectional view, taken along line 5—5 of FIG. 1 of our nozzle.

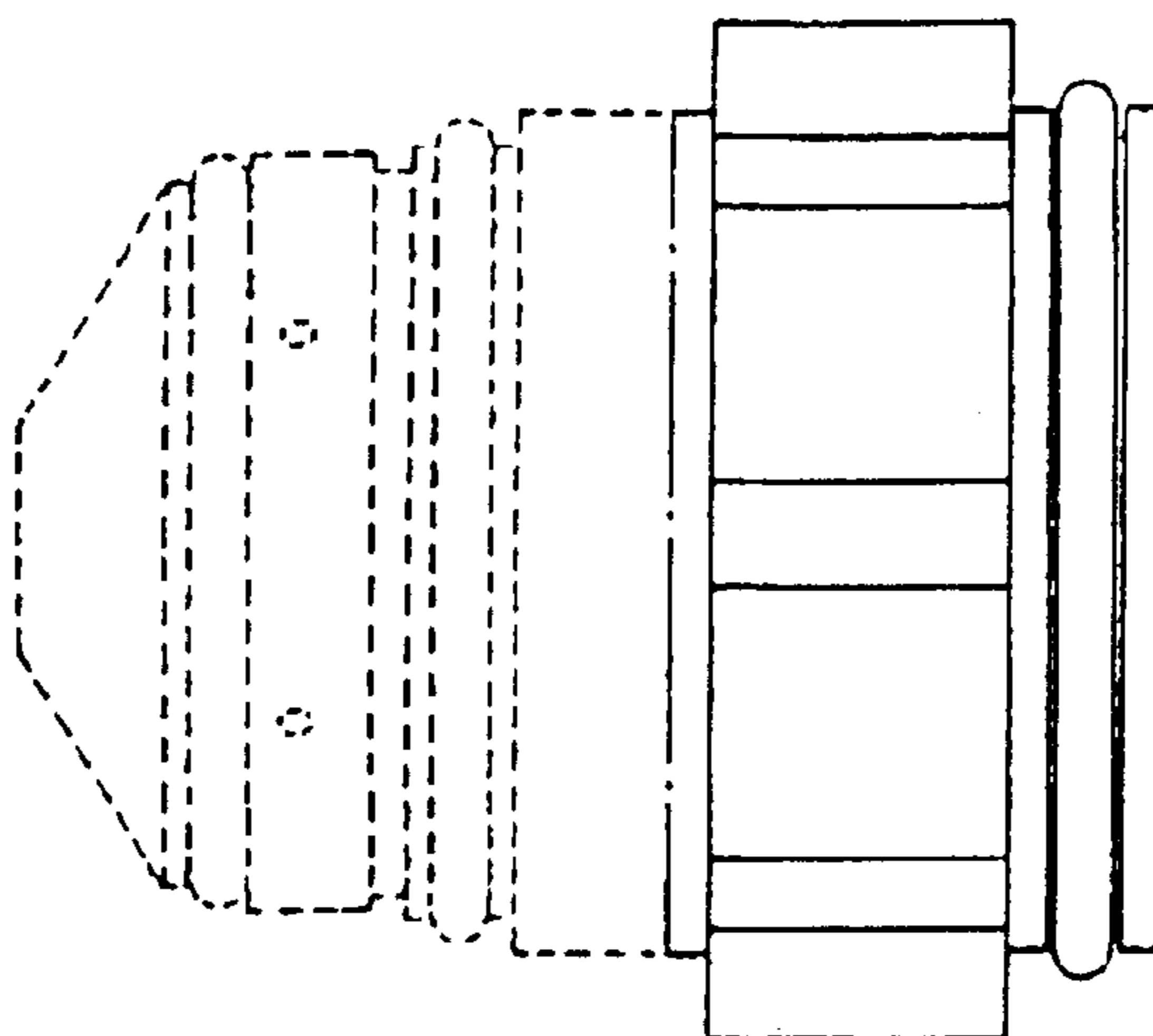
(56) **References Cited**

U.S. PATENT DOCUMENTS

5,965,040 A * 10/1999 Luo et al. 219/121.5

1 Claim, 5 Drawing Sheets

Front view



Front view

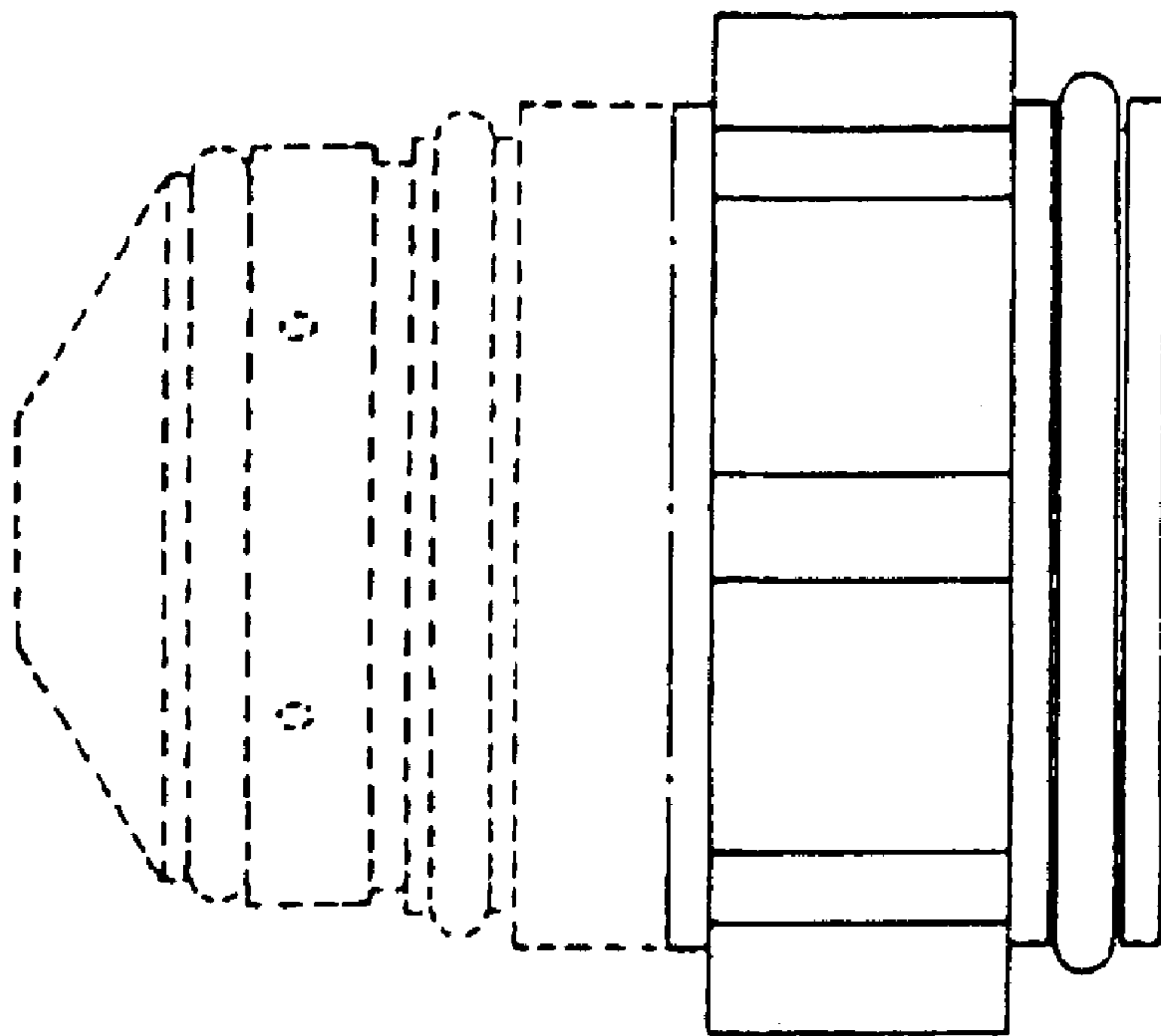


FIG. 1

Plan view

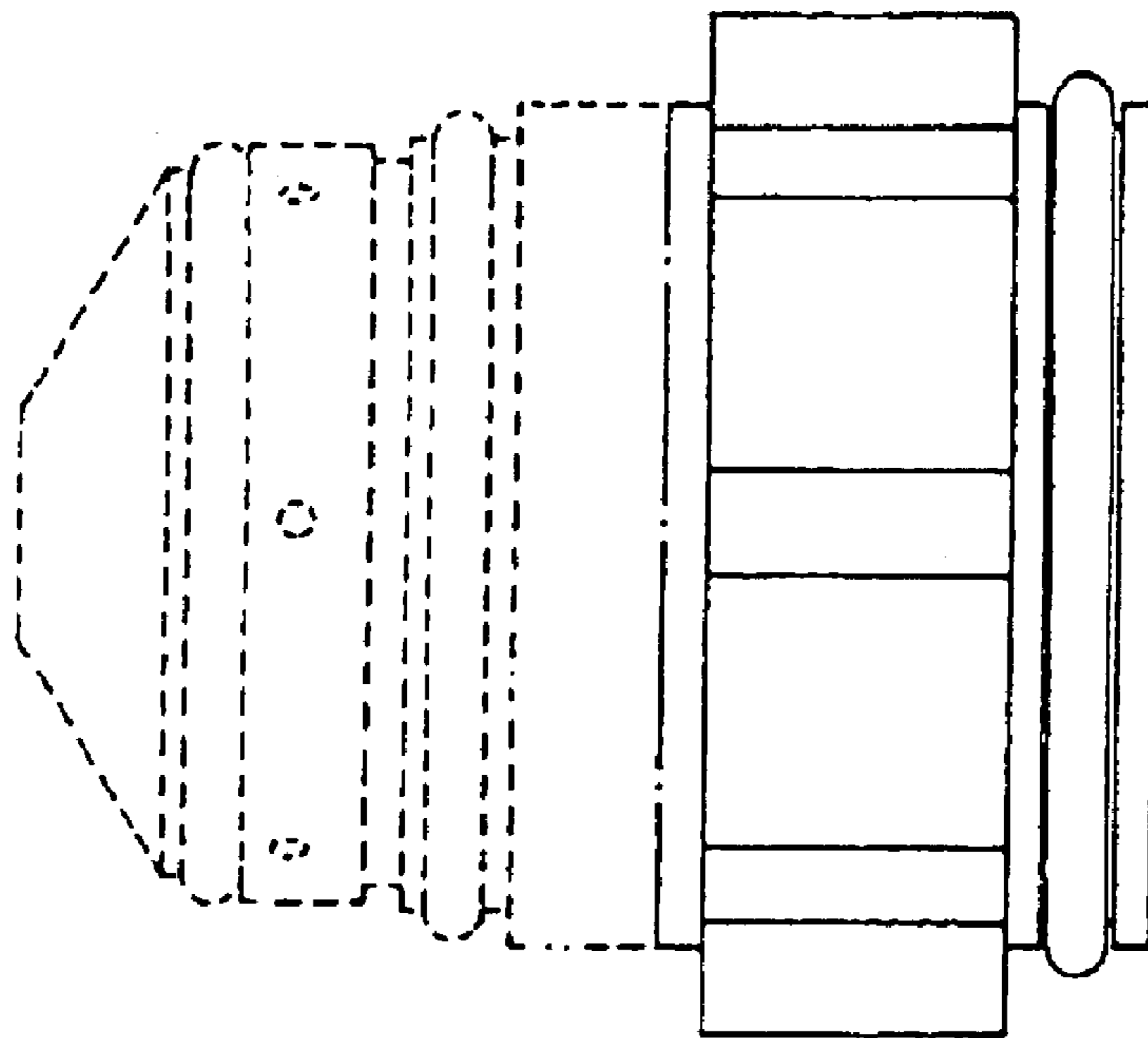


FIG. 2

Right side view

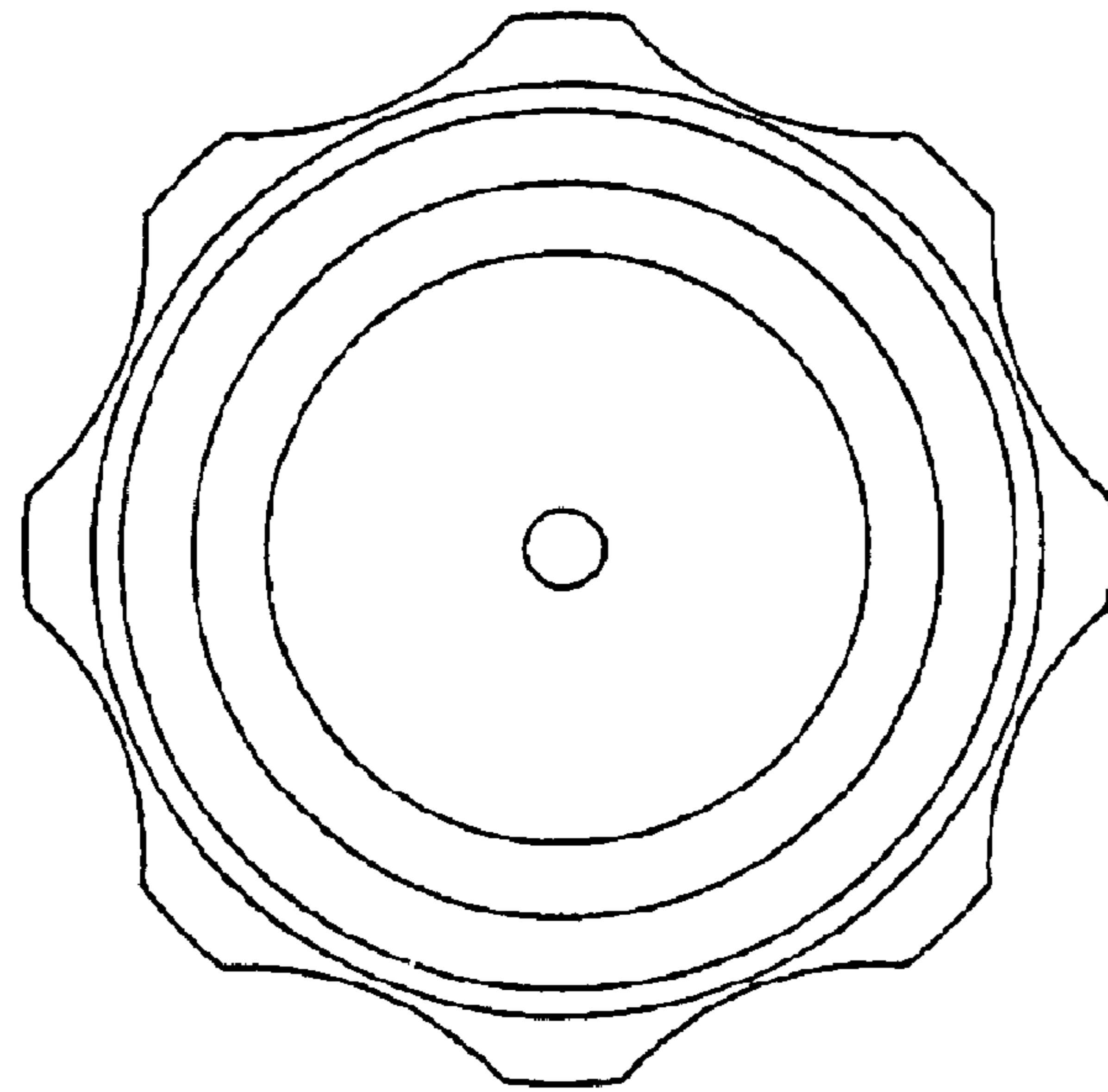


FIG. 3

Left side view

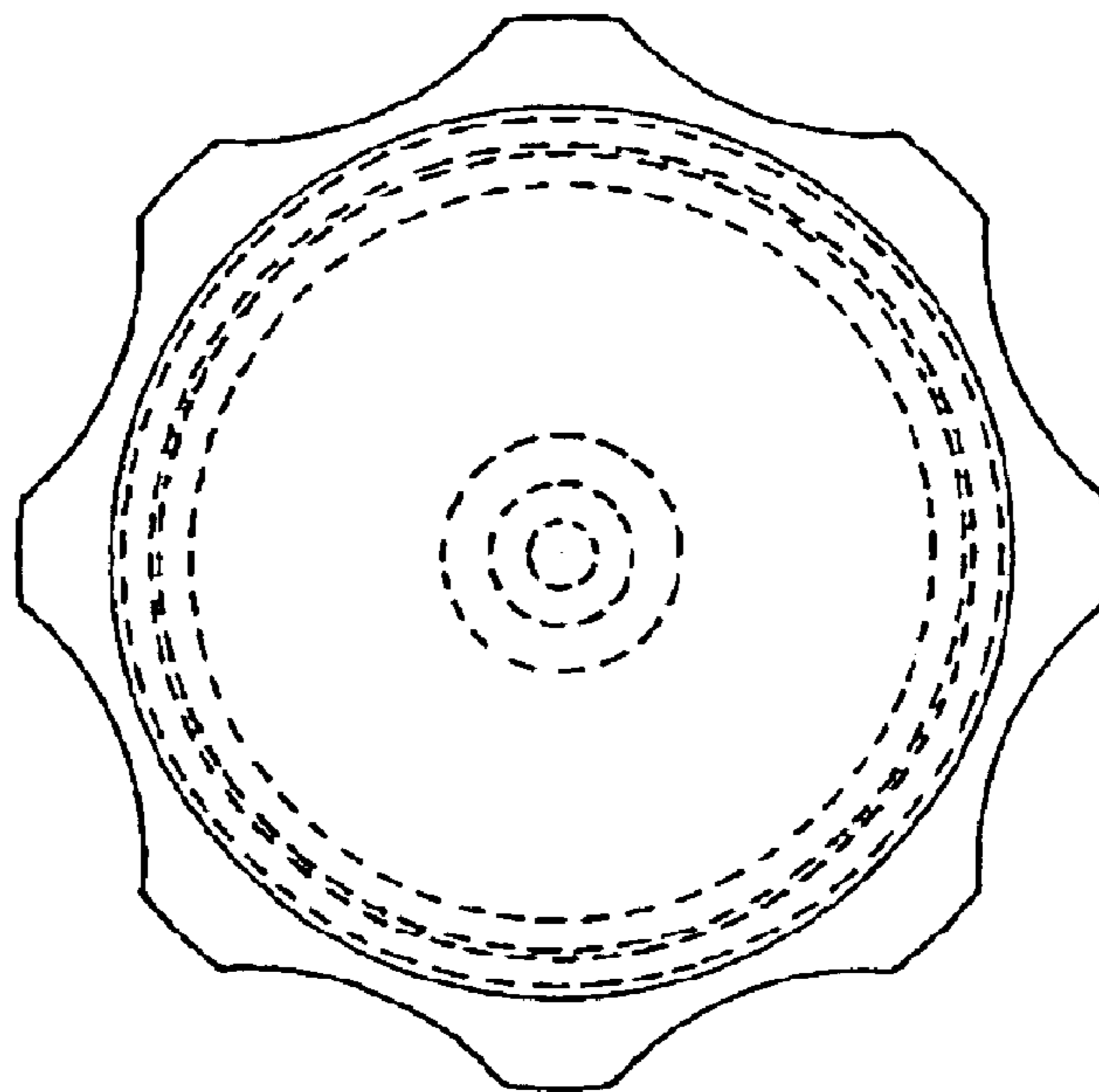


FIG. 4

Cross section on a center of front view

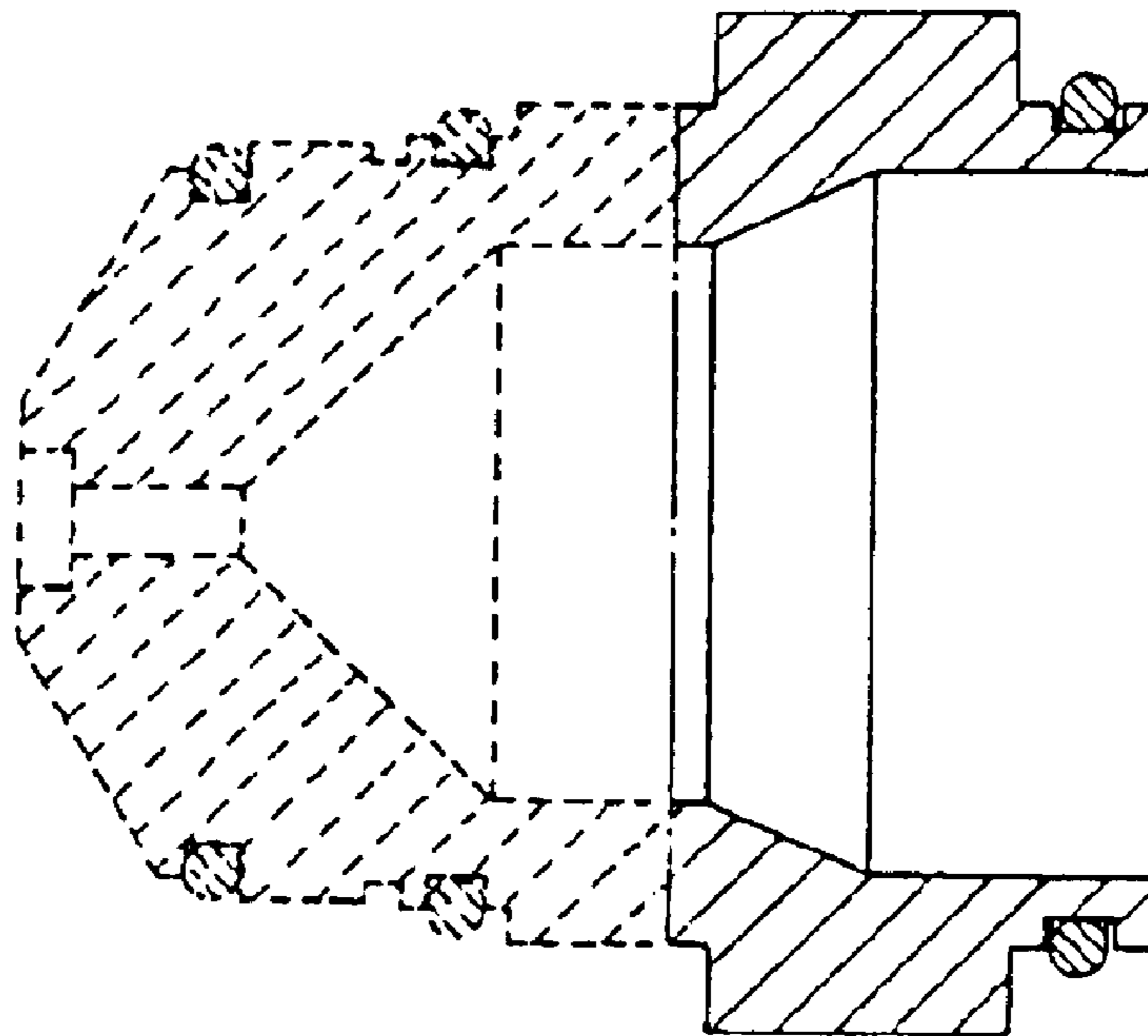


FIG. 5