



US00D520034S

(12) **United States Design Patent**
Sakamoto et al.

(10) **Patent No.:** **US D520,034 S**

(45) **Date of Patent:** **** May 2, 2006**

(54) **CAVITY RING FOR A DISC-MOLDING DIE**

(75) Inventors: **Yasuyoshi Sakamoto**, Kamagaya (JP);
Katsuyuki Hiki, Narashino (JP)

(73) Assignee: **Seikoh Giken Co., Ltd.**, Chiba (JP)

(**) Term: **14 Years**

(21) Appl. No.: **29/217,444**

(22) Filed: **Nov. 17, 2004**

(51) **LOC (8) Cl.** **15-09**

(52) **U.S. Cl.** **D15/135**

(58) **Field of Classification Search** D15/135-137;
425/314, 331; 148/101, 120, 314; 72/329,
72/336, 355.6

See application file for complete search history.

(56) **References Cited**

U.S. PATENT DOCUMENTS

3,170,414 A * 2/1965 Harrington et al. 425/190
3,942,755 A * 3/1976 Robinson 249/162

4,071,360 A * 1/1978 Mannino, Jr. 72/329
4,648,915 A * 3/1987 Ibata et al. 148/101
4,792,297 A * 12/1988 Wilson 425/192 R
6,299,430 B1 * 10/2001 Wallace 425/314

* cited by examiner

Primary Examiner—Antoine D. Davis

Assistant Examiner—Patricia Palasik

(74) *Attorney, Agent, or Firm*—Olson & Hierl, Ltd.

(57) **CLAIM**

The ornamental design for a cavity ring for a disc-molding die, as shown and described.

DESCRIPTION

FIG. 1 is a perspective view of a cavity ring for a disc-molding die;

FIG. 2 is a front view thereof, a rear view, a right side view, and a left side view being the same as the front view;

FIG. 3 is a top plan view thereof; and,

FIG. 4 is a bottom view thereof.

1 Claim, 2 Drawing Sheets

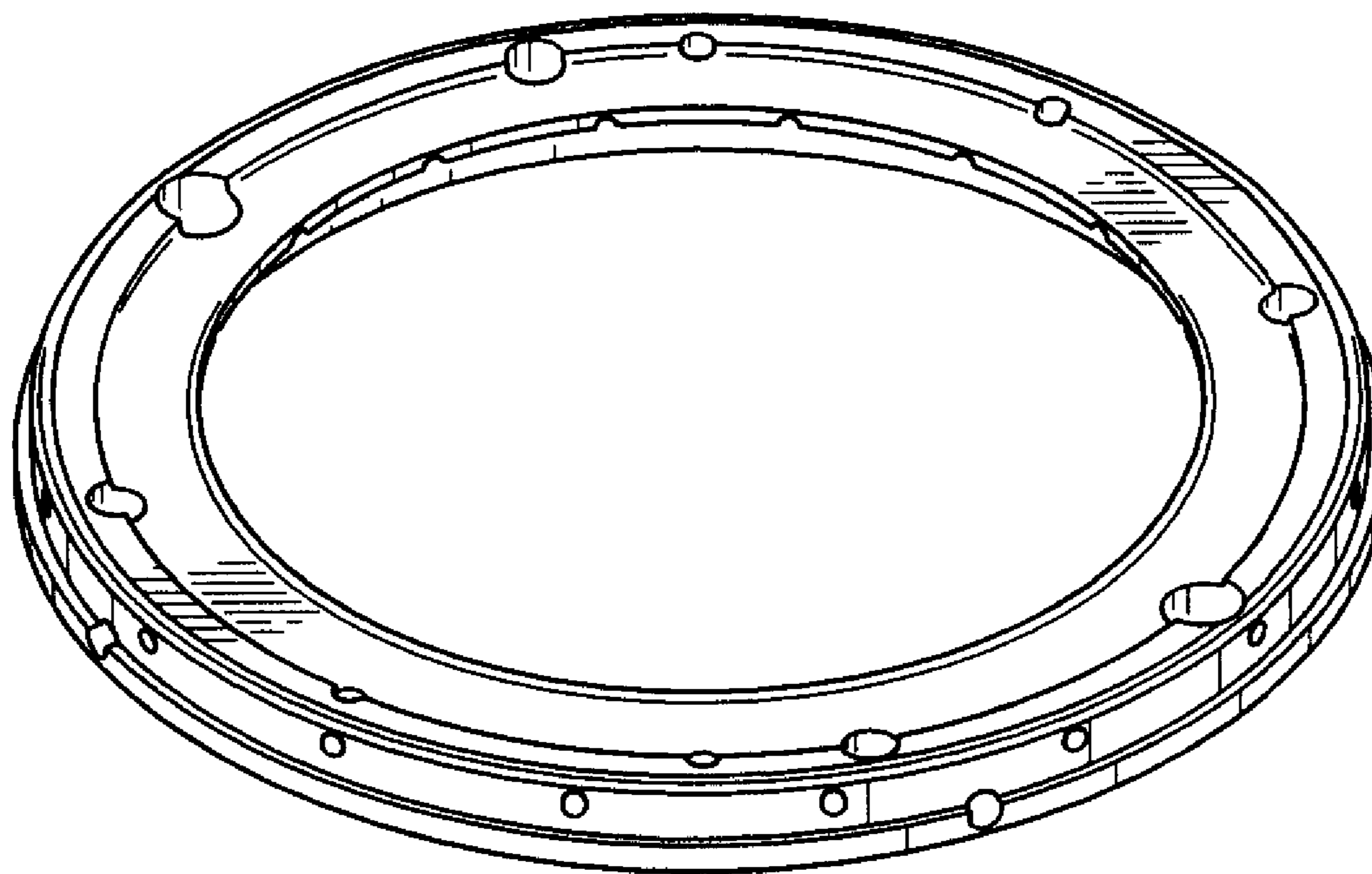


FIG. 1

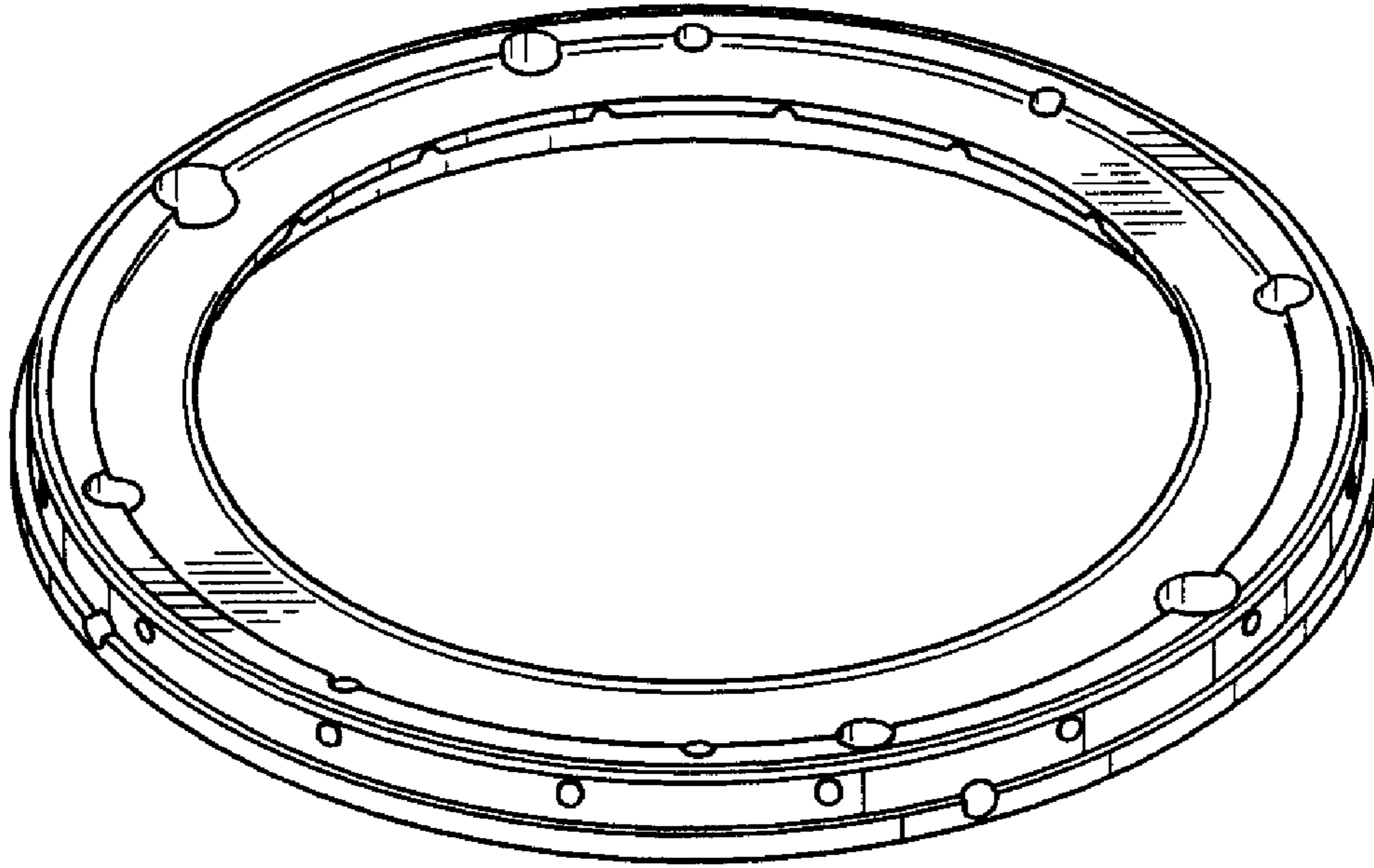


FIG. 2



FIG. 3

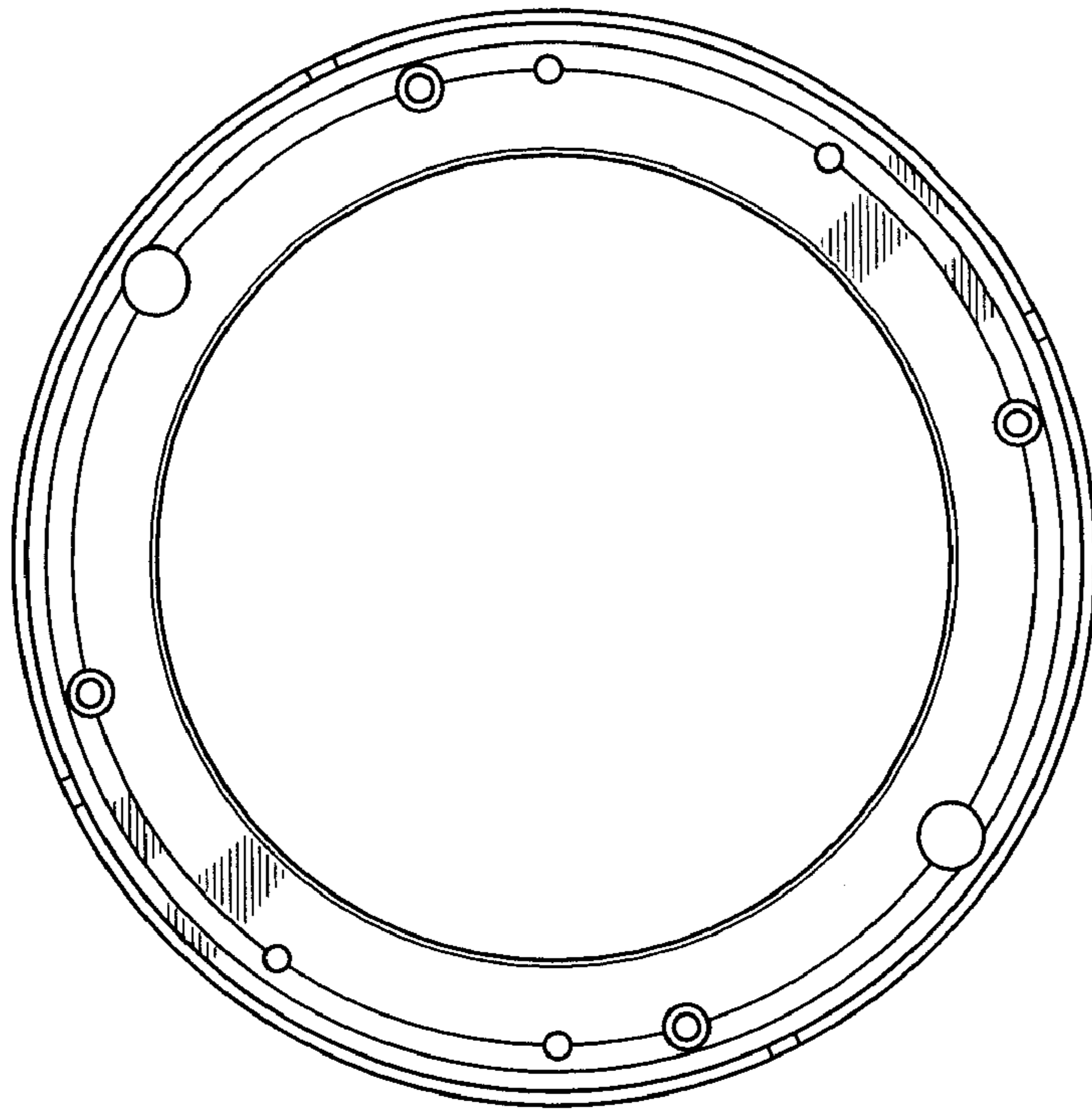


FIG. 4

