

US00D520033S

(12) **United States Design Patent**
Firth

(10) **Patent No.:** **US D520,033 S**

(45) **Date of Patent:** **** May 2, 2006**

(54) **MITRE SAW**

(75) **Inventor:** **Robert Firth**, Clifton Moor (GB)

(73) **Assignee:** **GMCA PTY Limited** (AU)

(**) **Term:** **14 Years**

(21) **Appl. No.:** **29/234,244**

(22) **Filed:** **Jul. 15, 2005**

(30) **Foreign Application Priority Data**

May 12, 2005 (EM) 000344791

(51) **LOC (8) Cl.** **15-09**

(52) **U.S. Cl.** **D15/133**

(58) **Field of Classification Search** D15/133;
83/581, 472, 477.1-477.2, 471.2-471.3;
30/377-378, 388-391, 517-525

See application file for complete search history.

(56) **References Cited**

U.S. PATENT DOCUMENTS

366,491 A * 7/1887 Chang 177/232

454,577 A * 6/1891 Meredith et al. 105/243
459,373 A * 9/1891 Hollinger et al. 79/2
D346,173 S * 4/1994 Price D15/133

* cited by examiner

Primary Examiner—Antoine D. Davis

Assistant Examiner—Patricia Palasik

(74) *Attorney, Agent, or Firm*—McKee, Voorhees & Sease,
P.L.C.

(57) **CLAIM**

The ornamental design for a mitre saw, substantially as shown.

DESCRIPTION

FIG. 1 is a front view of the mitre saw.

FIG. 2 is a rear view of the mitre saw.

FIG. 3 is a top view of the mitre saw.

FIG. 4 is a bottom view of the mitre saw.

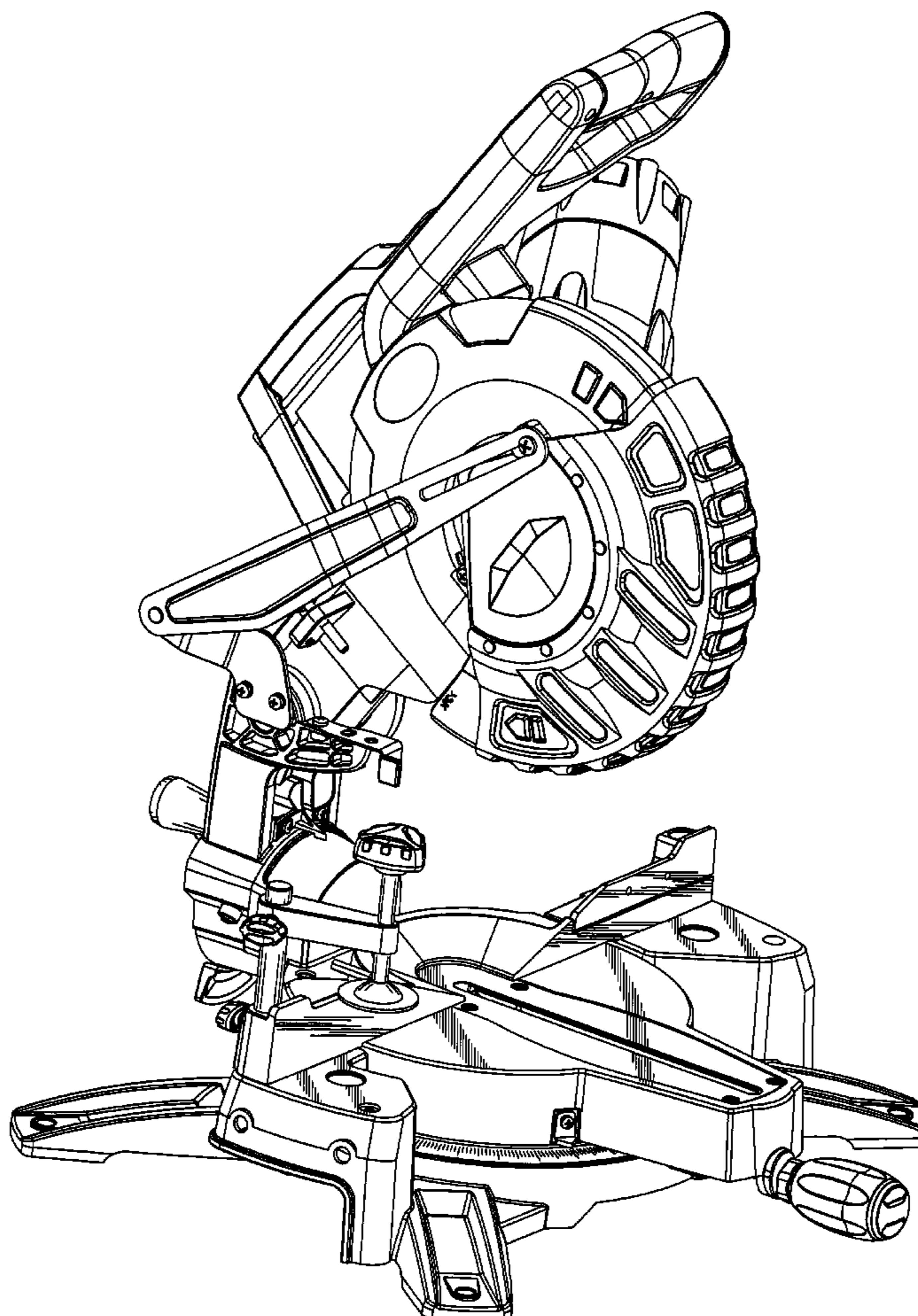
FIG. 5 is a left hand perspective view of the mitre saw.

FIG. 6 is a right hand perspective view of the mitre saw.

FIG. 7 is a left side view of the mitre saw; and,

FIG. 8 is a right side view of the mitre saw.

1 Claim, 8 Drawing Sheets



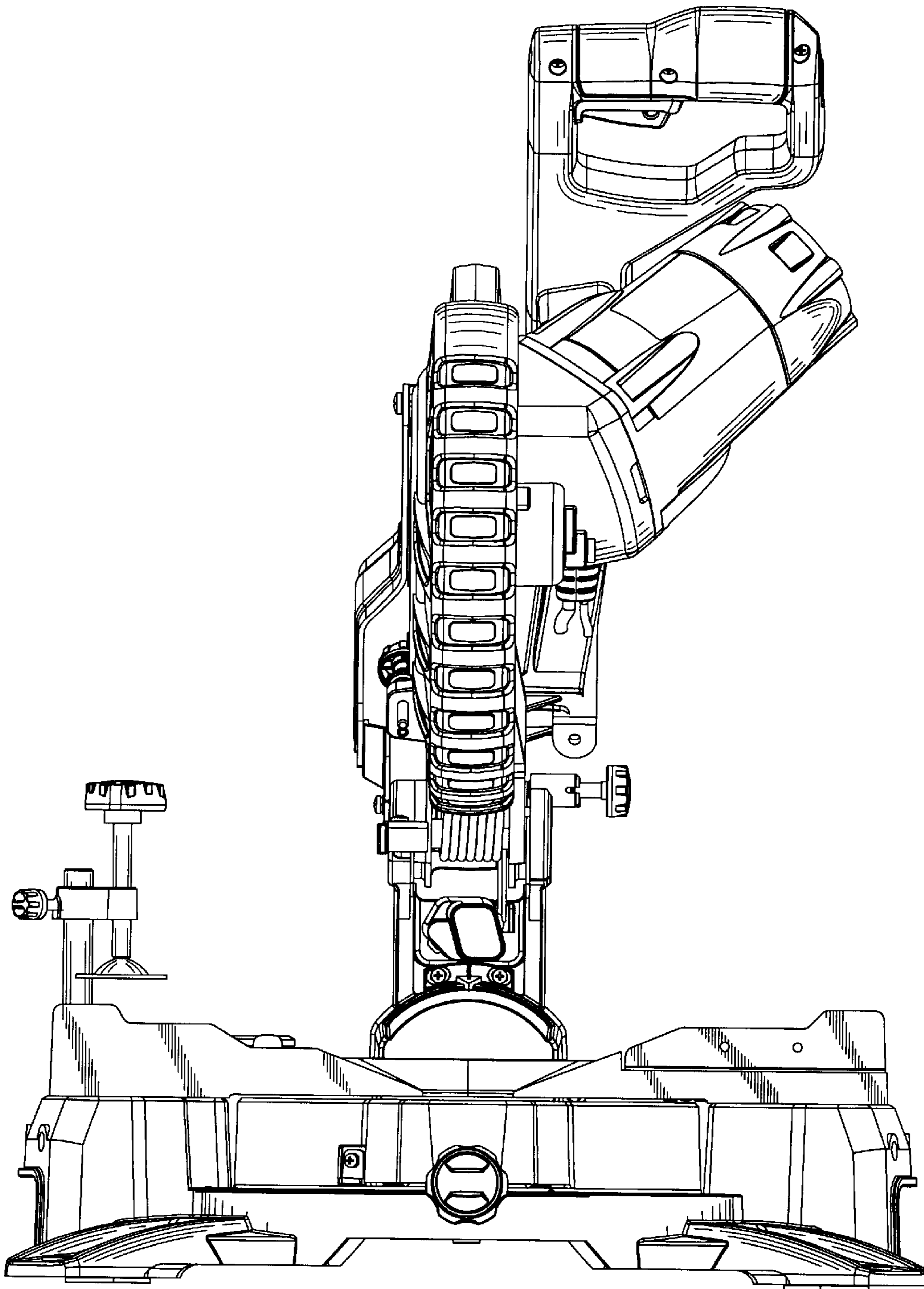


Fig. 1

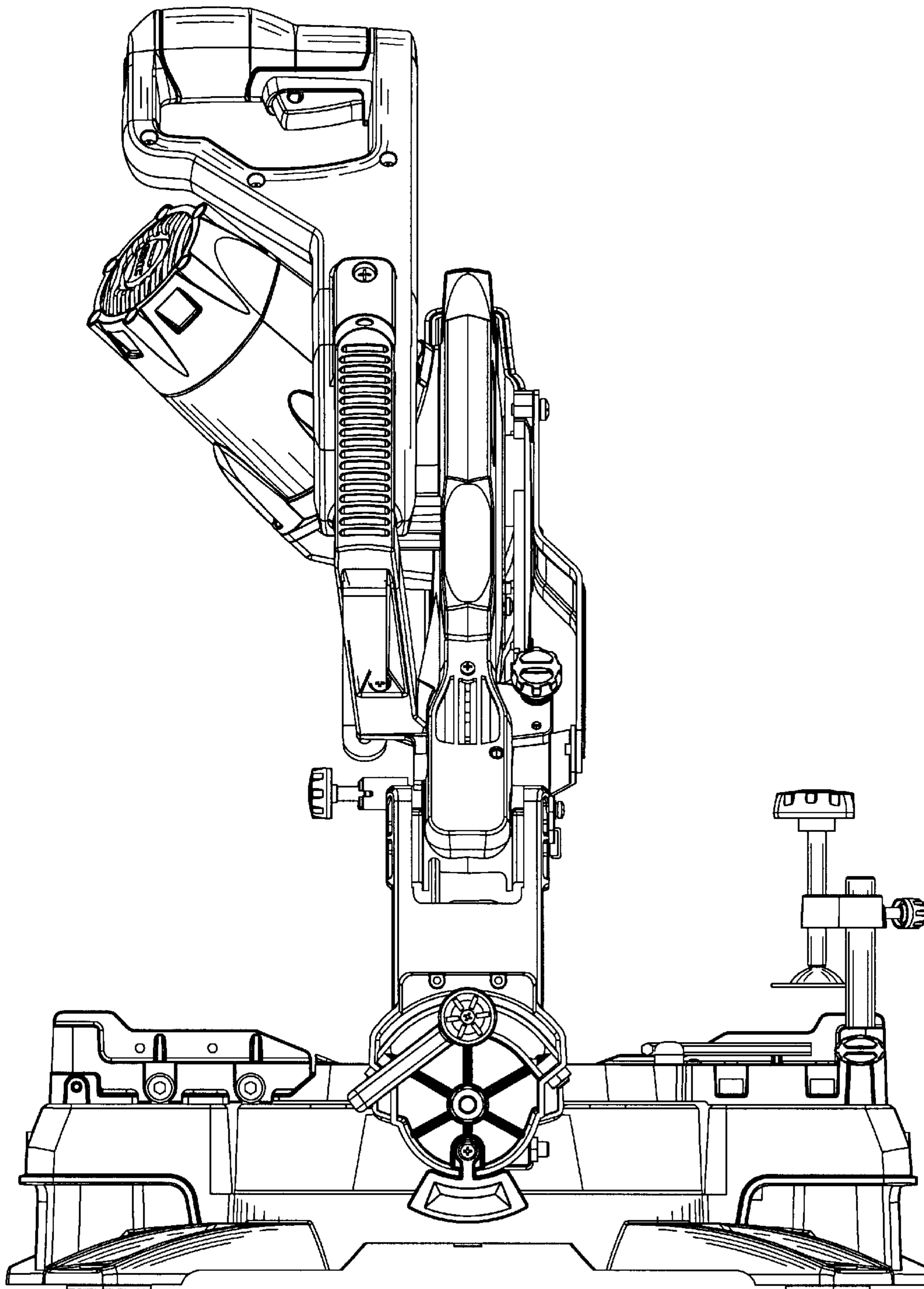


Fig. 2

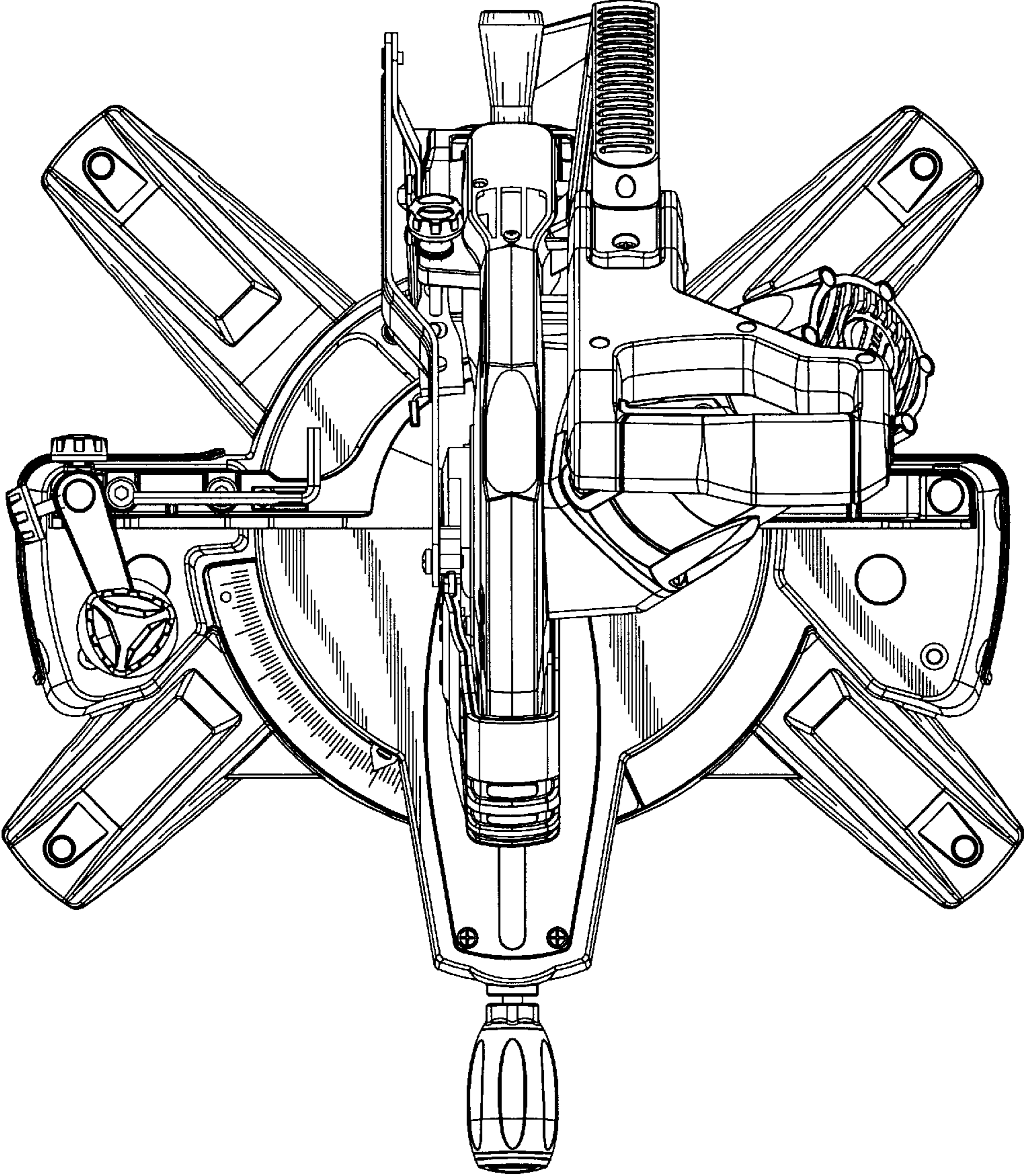


Fig. 3

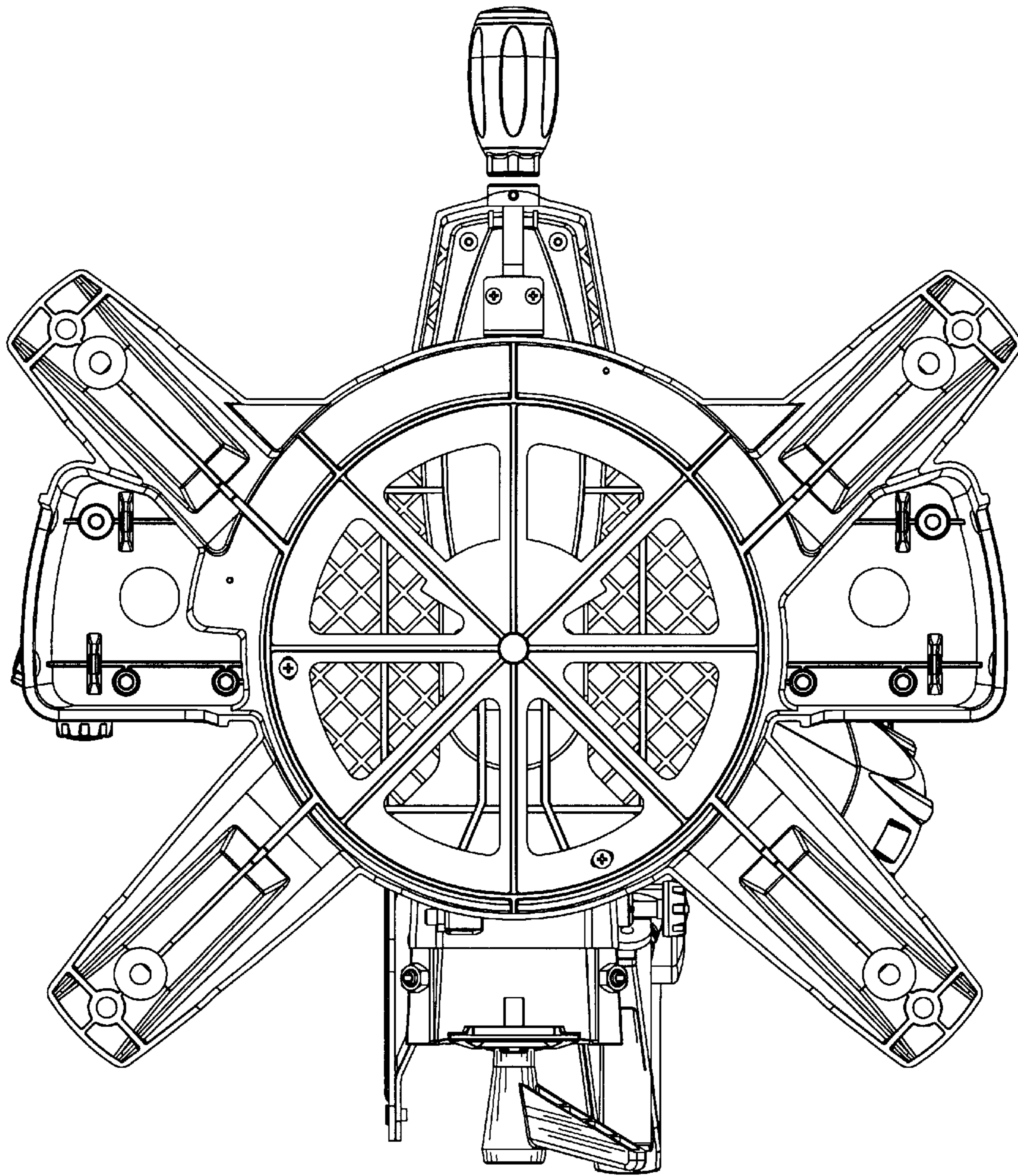


Fig. 4

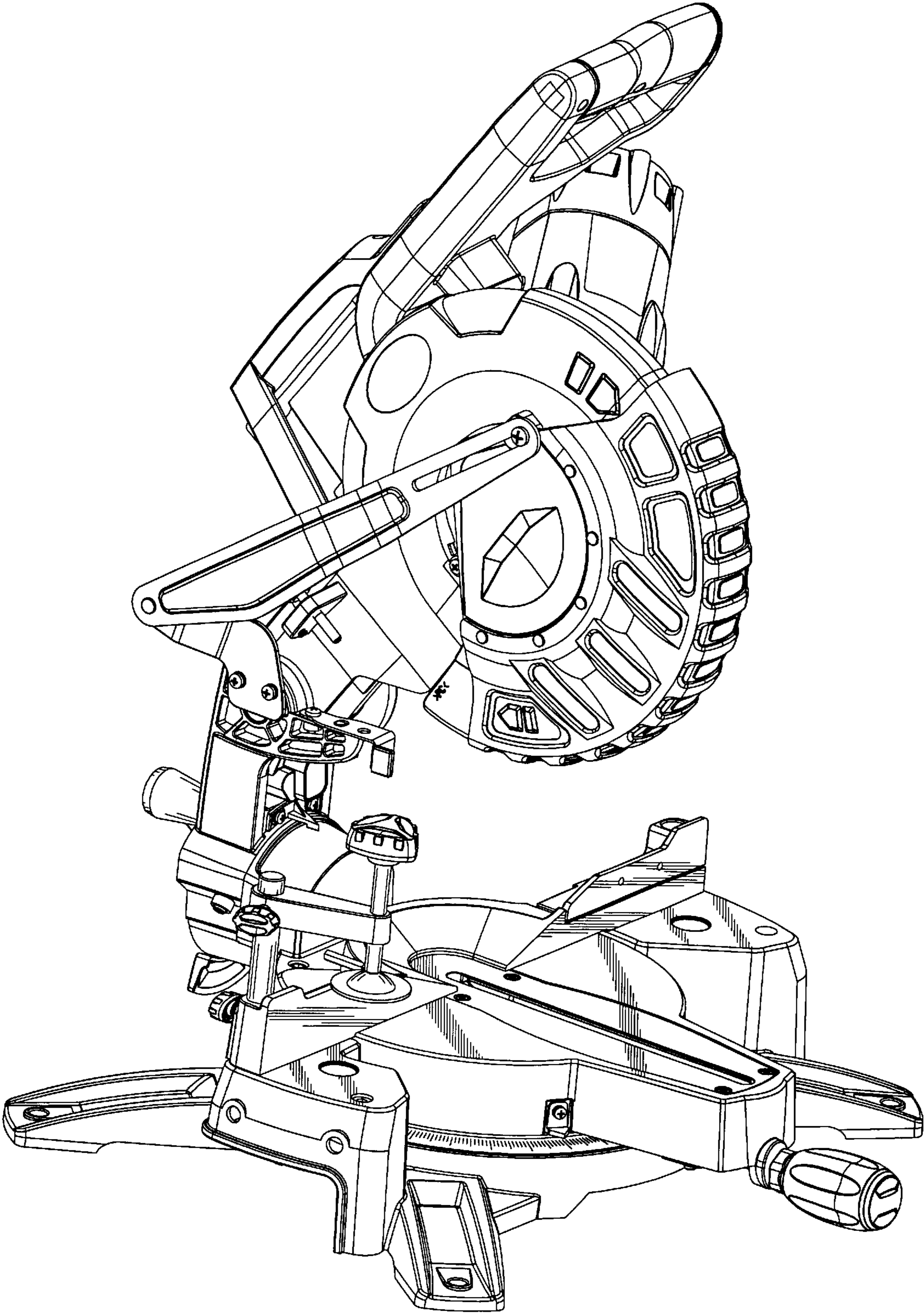


Fig. 5

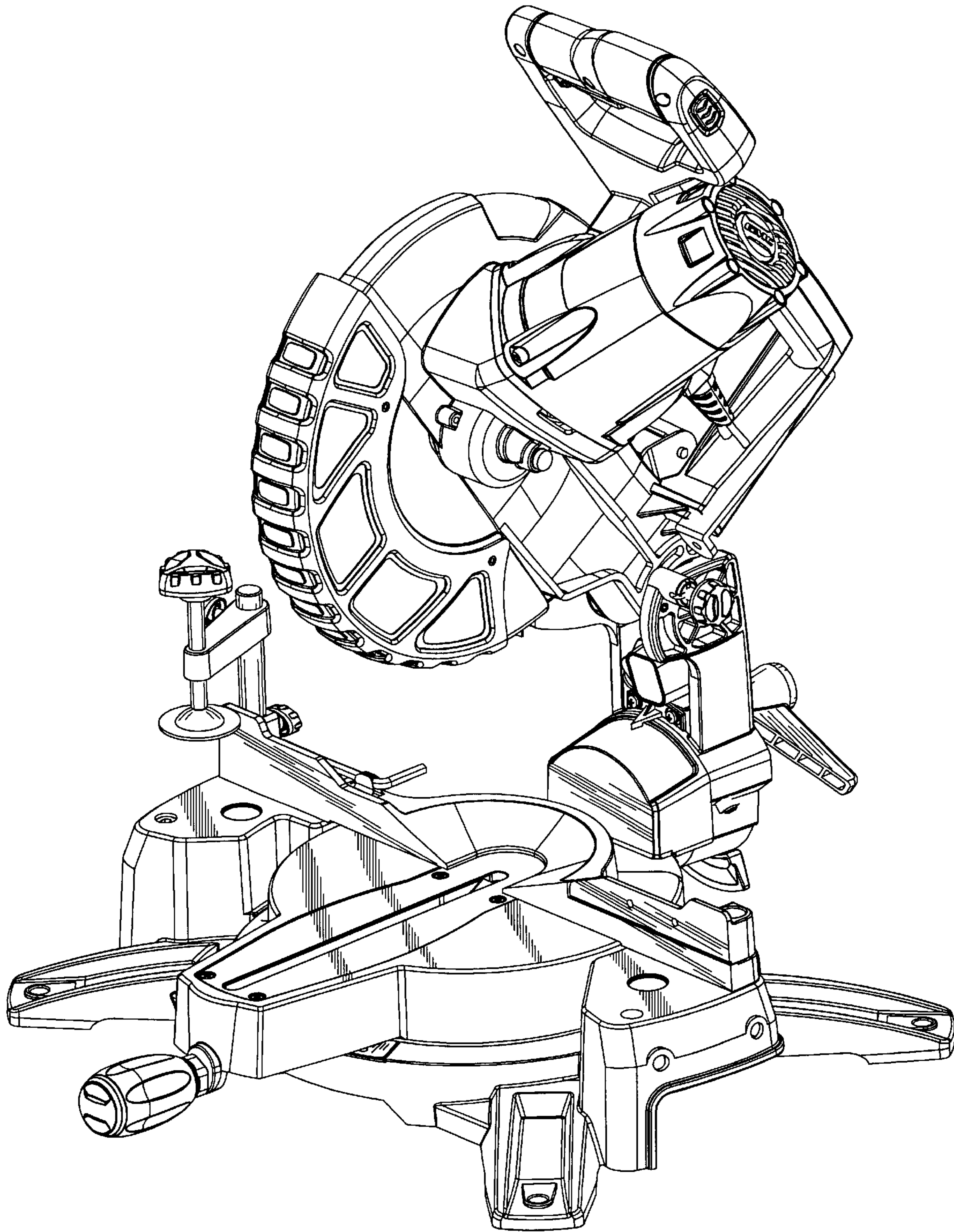


Fig. 6

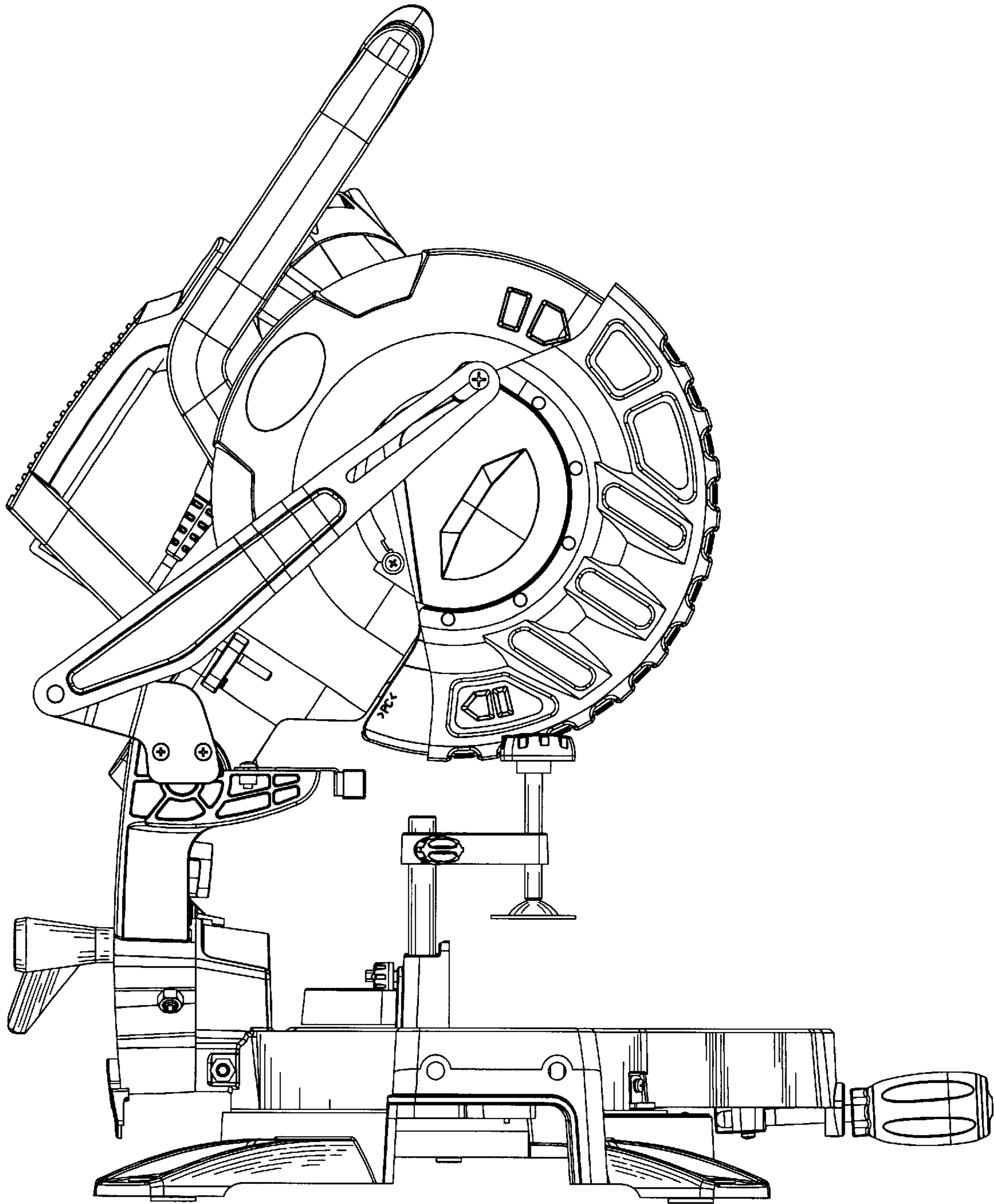


Fig. 7

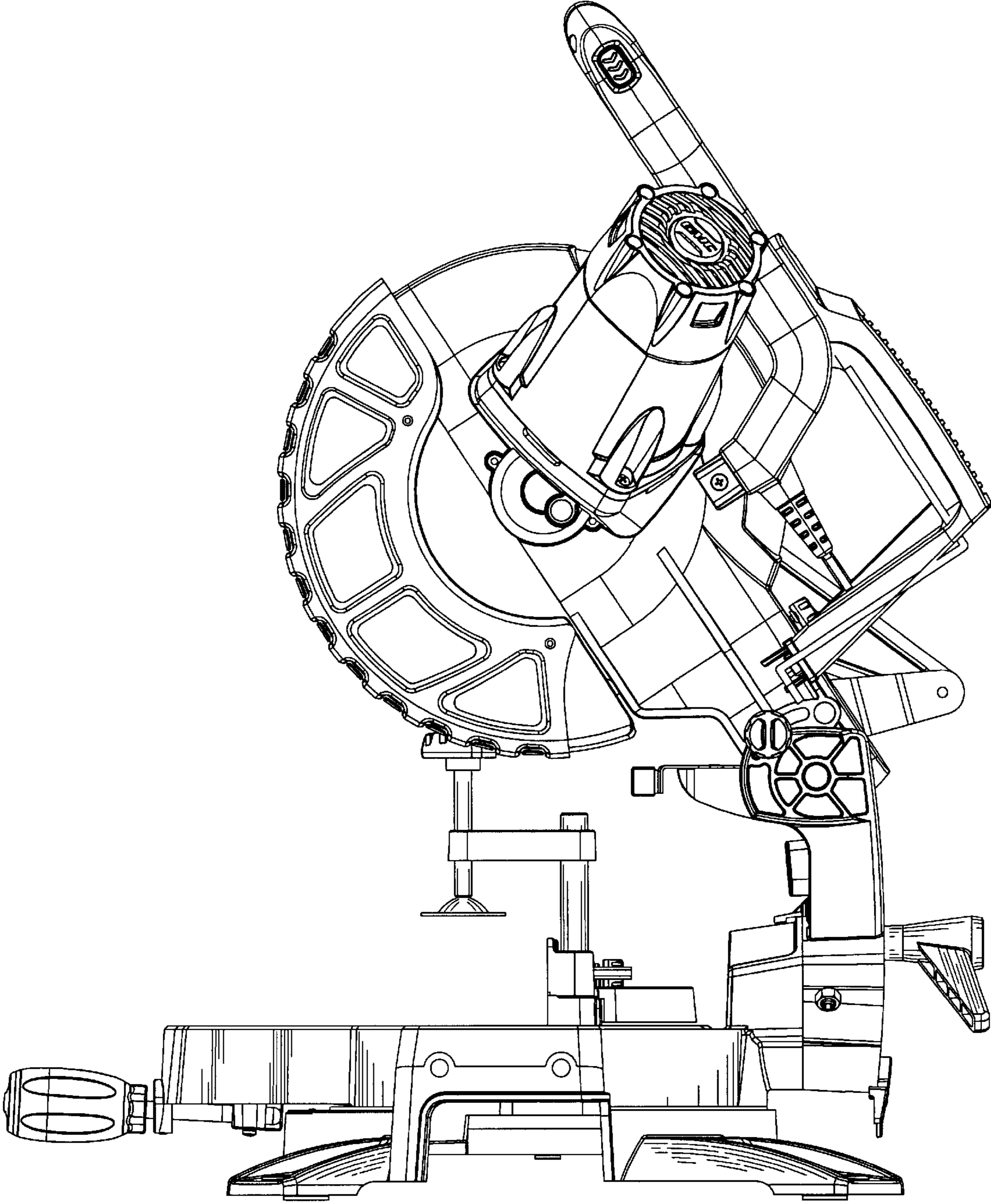


Fig. 8