



US00D520032S

(12) **United States Design Patent**
Nortmann et al.

(10) **Patent No.:** **US D520,032 S**

(45) **Date of Patent:** **** May 2, 2006**

(54) **BAND SAW**

D423,022 S * 4/2000 Brazell et al. D15/133
6,679,145 B1 * 1/2004 Lee 83/100
6,948,412 B1 * 9/2005 Brazell et al. 83/100

(75) Inventors: **Bernhard Nortmann**, Tin Shi Wai
(HK); **Todd M. Chipner**, Lantau Island
(HK); **Huabo Li**, YongXin Zone
Nanning (CN)

* cited by examiner

Primary Examiner—Antoine D. Davis

Assistant Examiner—Patricia Palasik

(73) Assignee: **Eastway Fair Company Limited**,
Tortola (VG)

(74) *Attorney, Agent, or Firm*—Brinks Hofer Gilson &
Lione

(**) Term: **14 Years**

(57) **CLAIM**

(21) Appl. No.: **29/228,546**

We claim the ornamental design for a band saw, as shown.

(22) Filed: **Apr. 25, 2005**

DESCRIPTION

(51) **LOC (8) Cl.** **15-09**

(52) **U.S. Cl.** **D15/133**

(58) **Field of Classification Search** D15/133,
D15/134; 83/62.1, 571, 748, 750, 788, 809–820
See application file for complete search history.

FIG. 1 is a front view of a band saw of the present invention;

FIG. 2 is a rear view thereof;

FIG. 3 is a first side view thereof;

FIG. 4 is a second side view thereof;

FIG. 5 is a top view thereof;

FIG. 6 is a bottom view thereof; and,

FIG. 7 is a top side perspective view thereof.

(56) **References Cited**

U.S. PATENT DOCUMENTS

2,579,955 A * 12/1951 Orescan 83/100

1 Claim, 7 Drawing Sheets

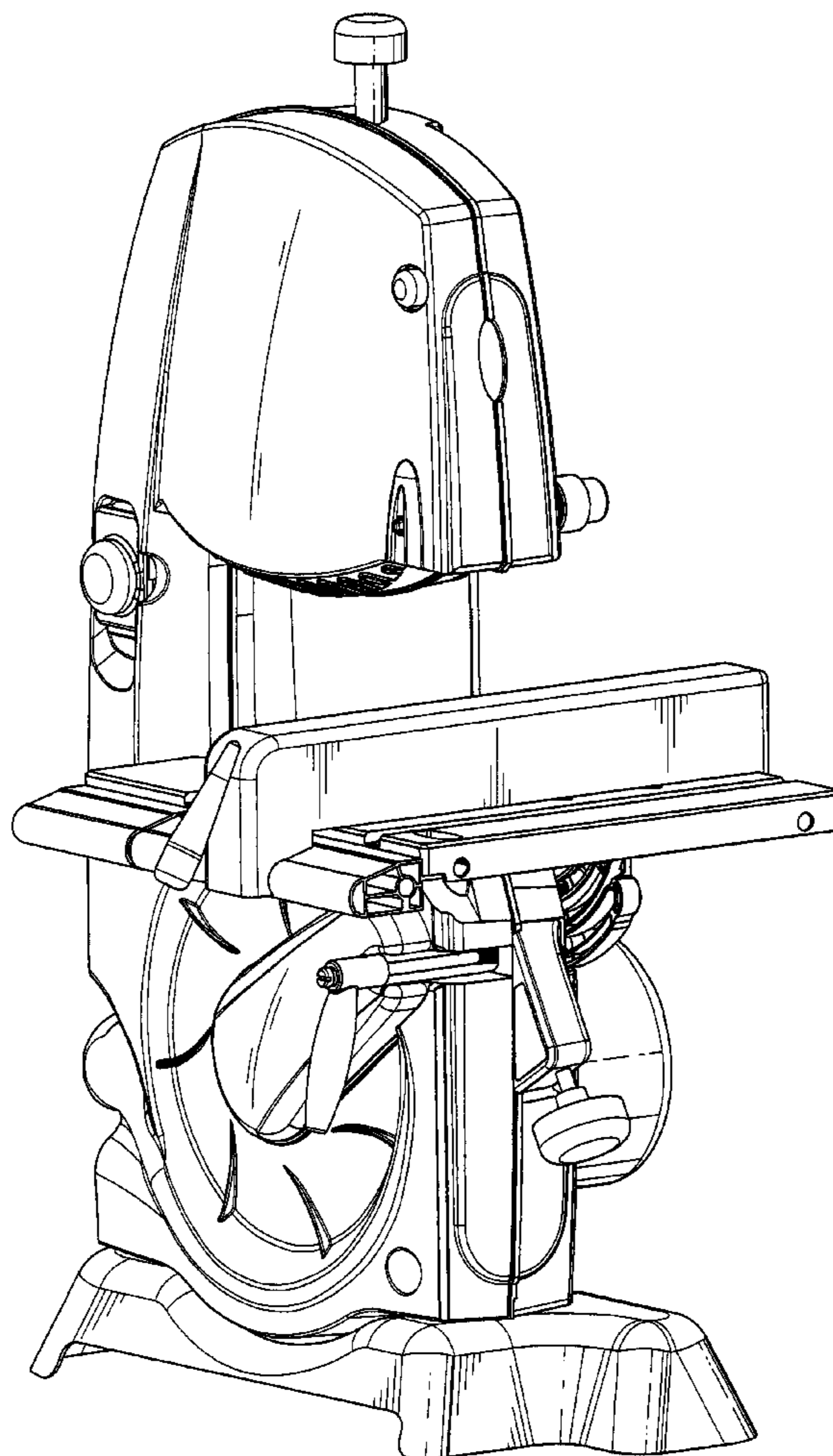
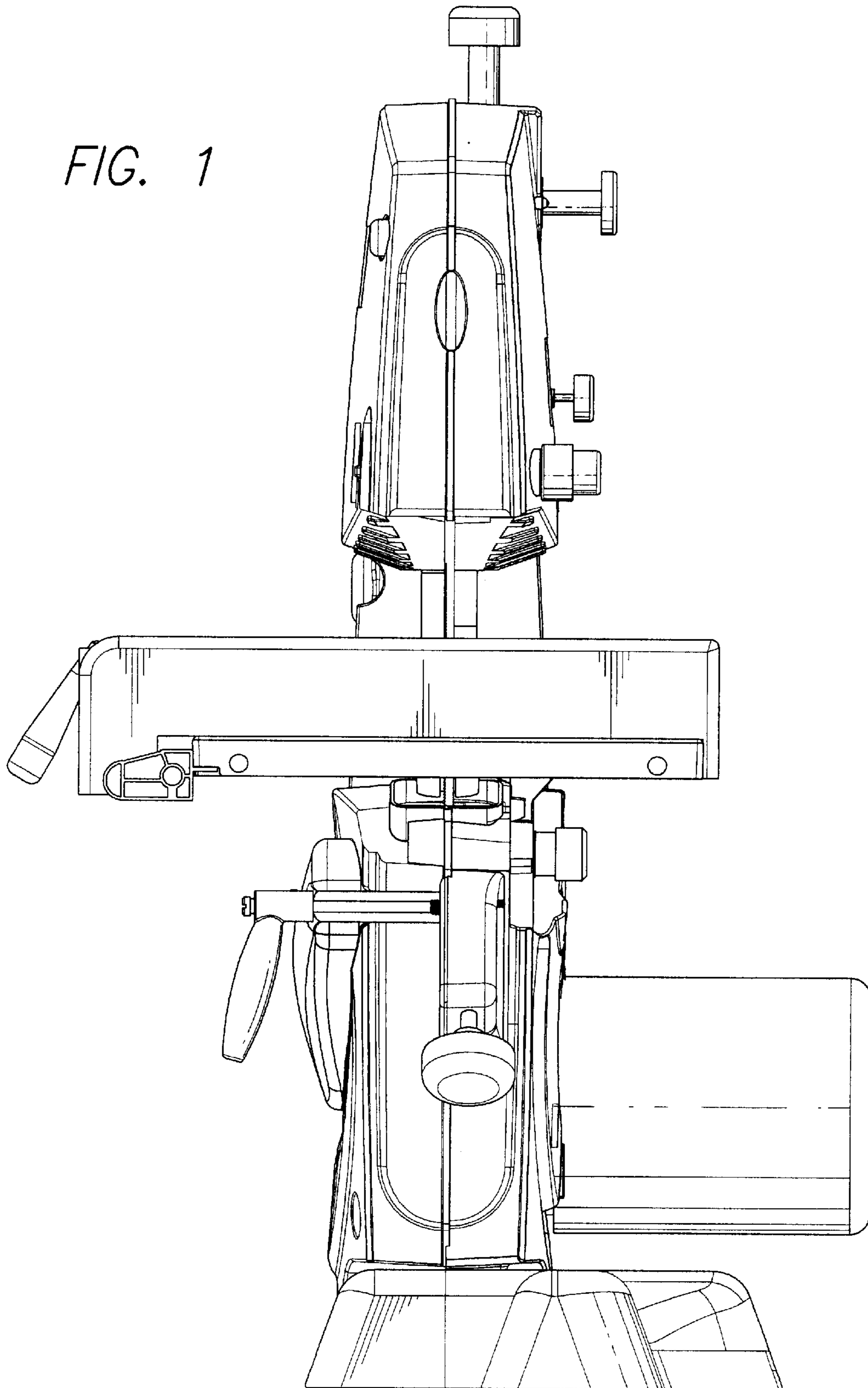


FIG. 1



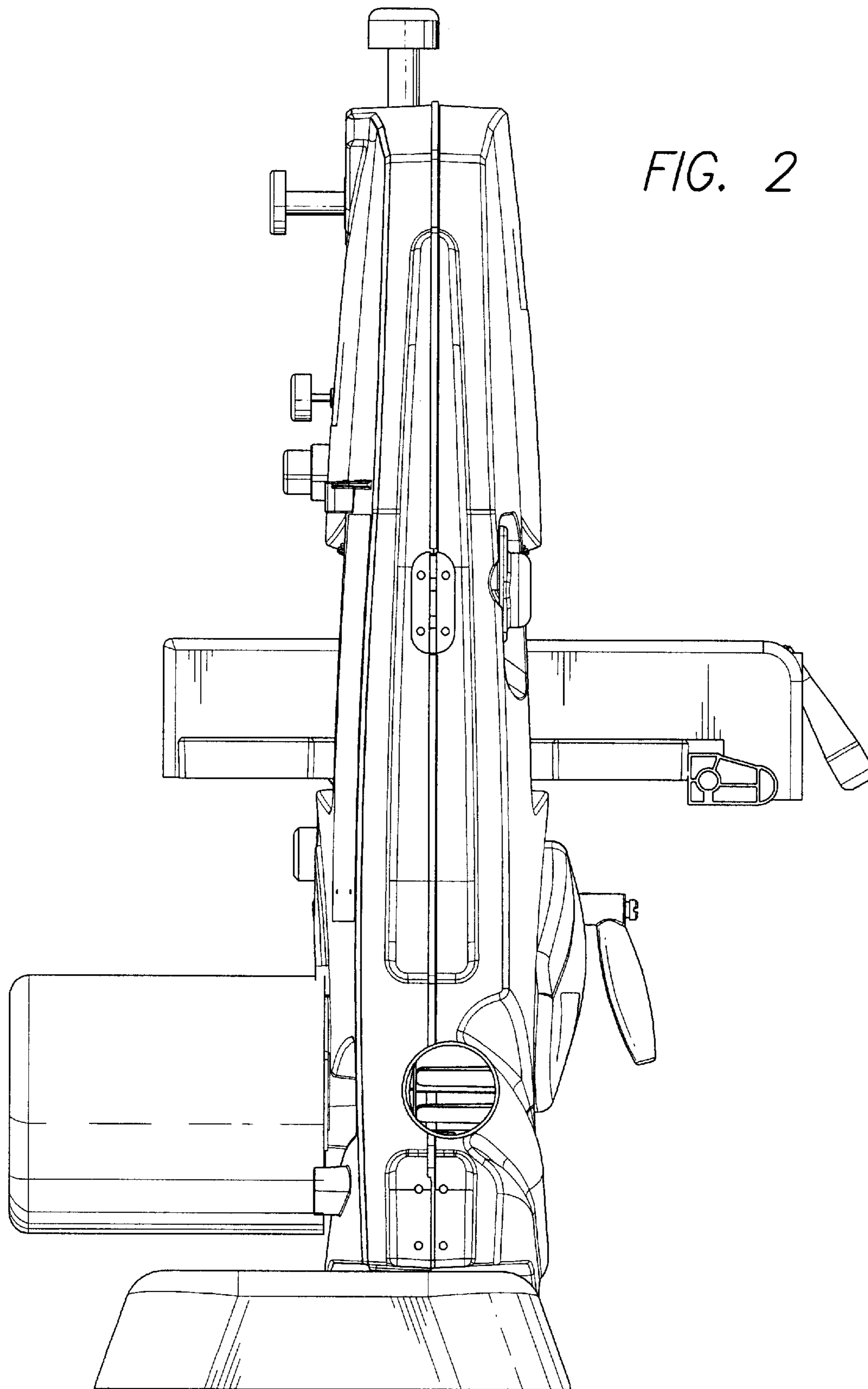


FIG. 2

FIG. 3

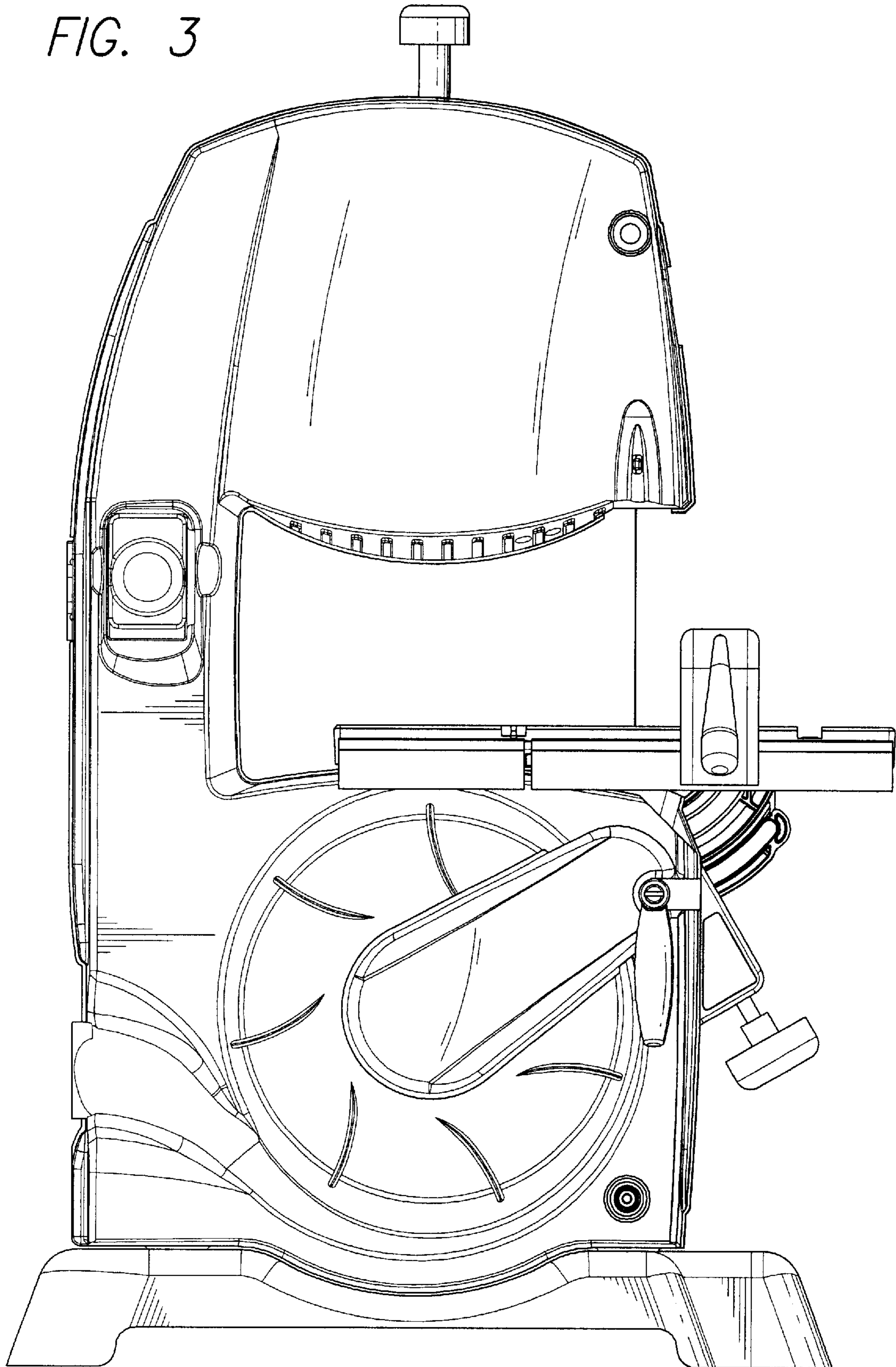
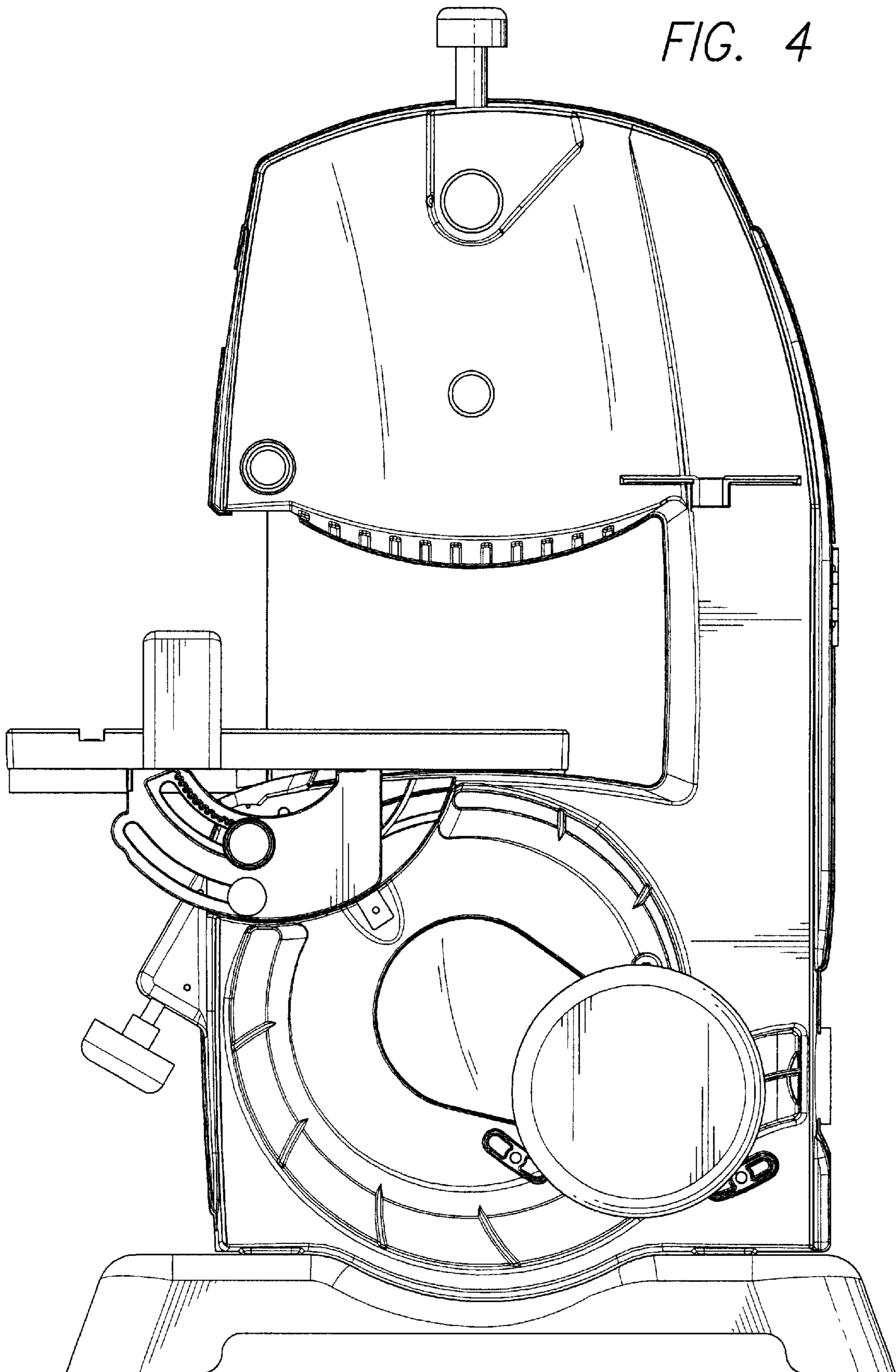


FIG. 4



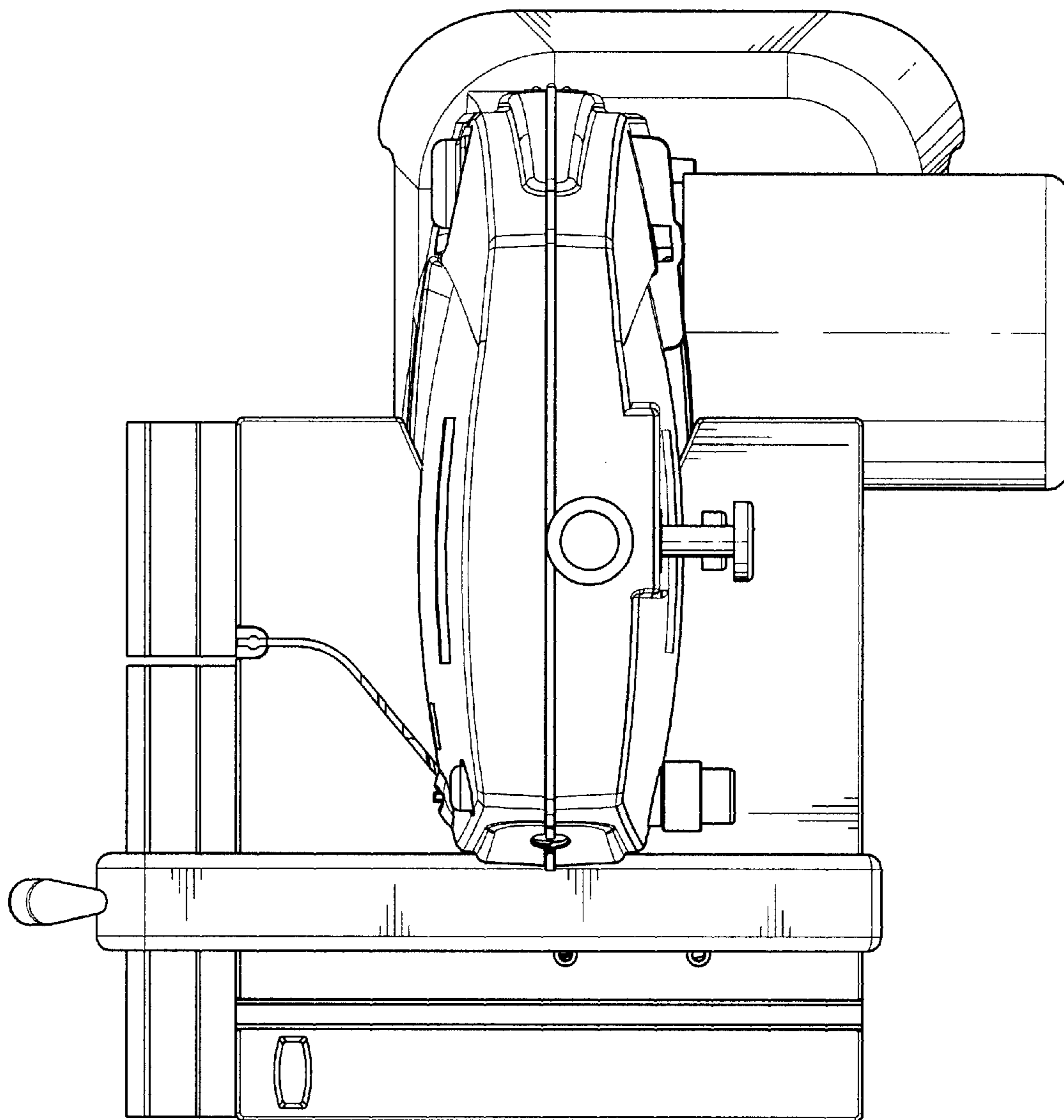


FIG. 5

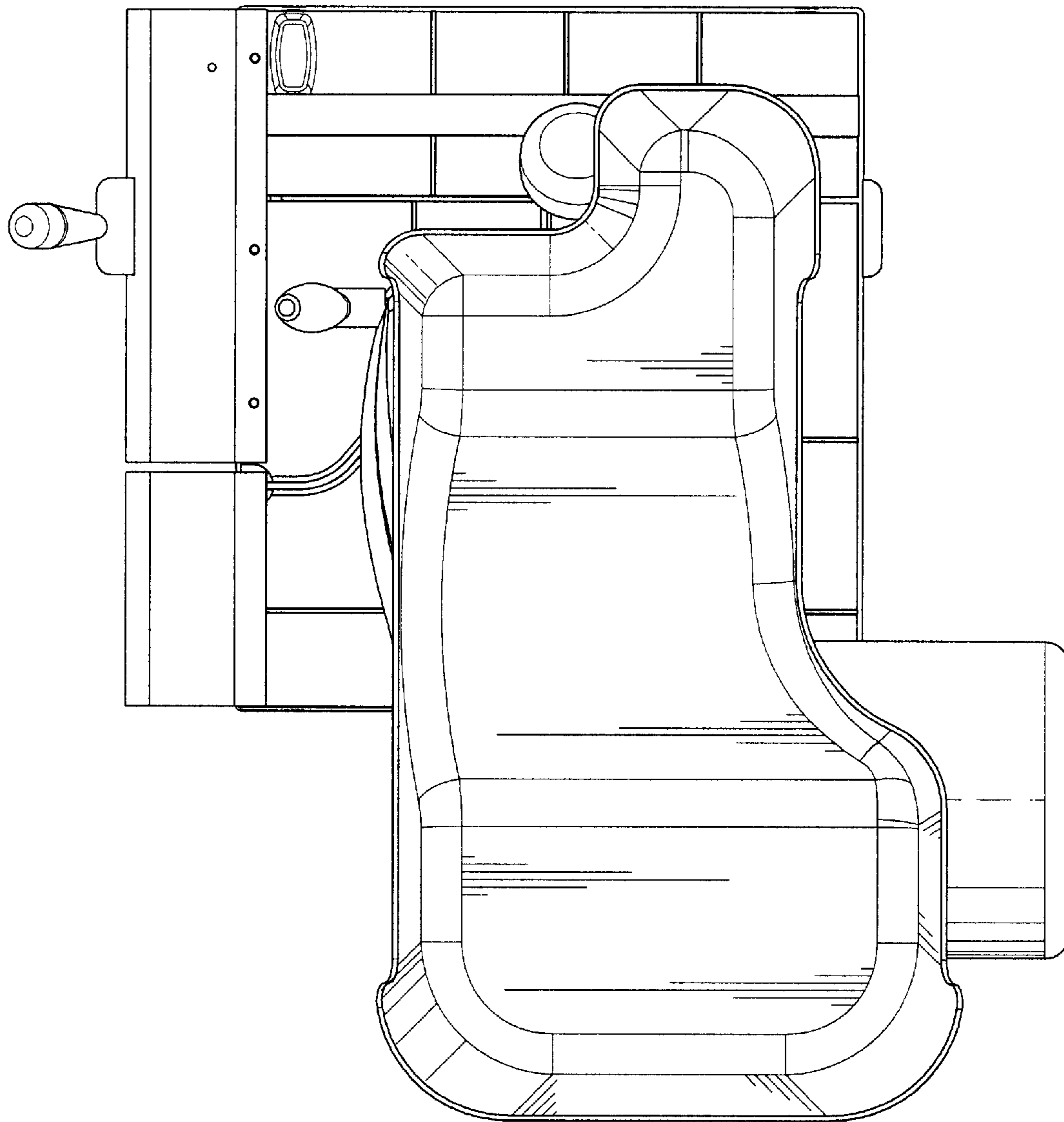


FIG. 6

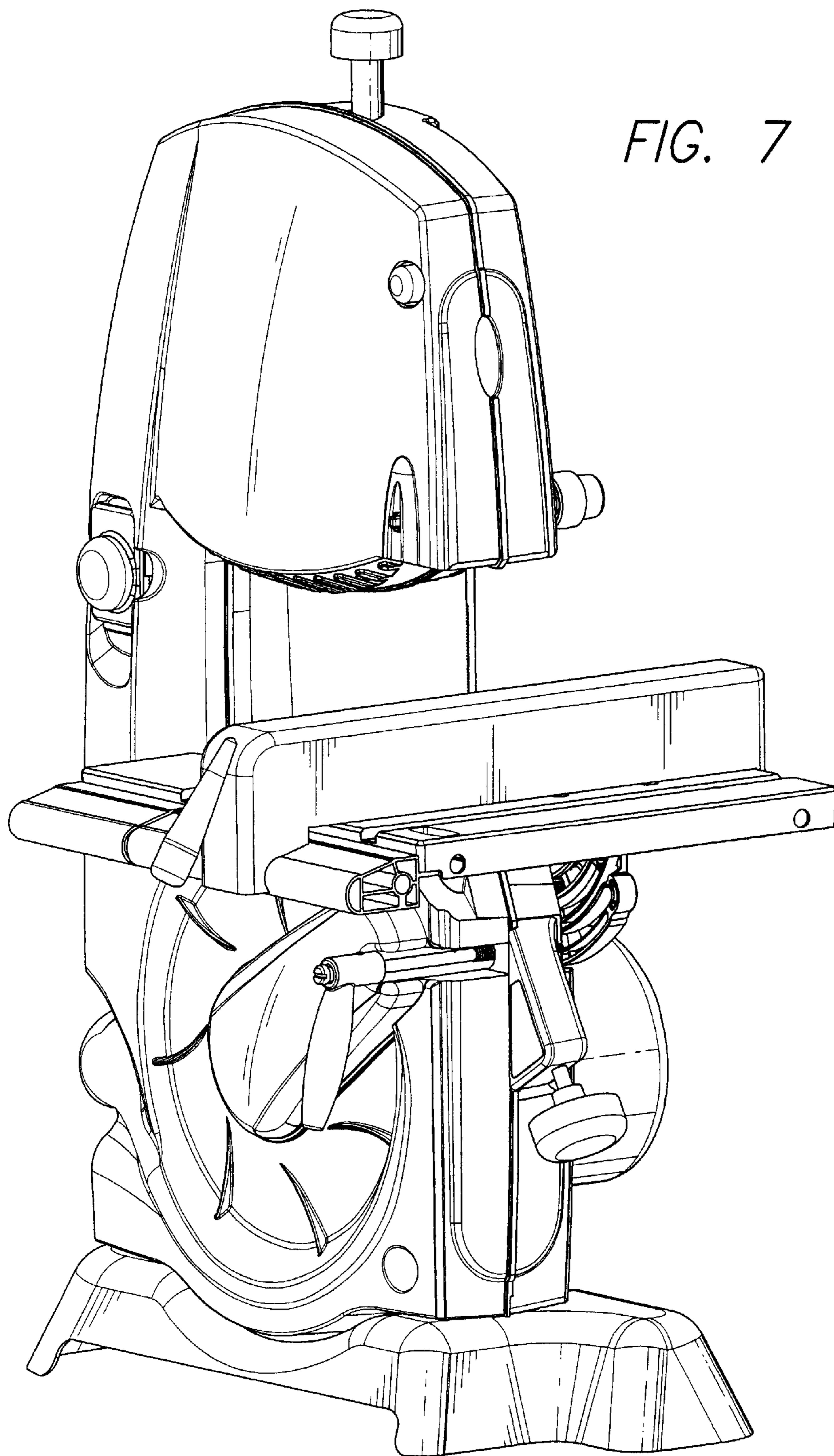


FIG. 7