



US00D520031S

(12) **United States Design Patent** (10) **Patent No.:** **US D520,031 S**
Wikle et al. (45) **Date of Patent:** **** May 2, 2006**

(54) **SAW**

(75) Inventors: **David L. Wikle**, York, PA (US); **Peter Chaikowsky**, Bel Air, MD (US); **Warren A. Ceroll**, Owings Mills, MD (US); **Gregg L. Sheddy**, Shrewsbury, PA (US); **James D. Schroeder**, Dallastown, PA (US)

(73) Assignee: **Black & Decker Inc.**, Newmark, DE (US)

(**) Term: **14 Years**

(21) Appl. No.: **29/225,123**

(22) Filed: **Mar. 11, 2005**

(51) **LOC (8) Cl.** **15-09**

(52) **U.S. Cl.** **D15/133**

(58) **Field of Classification Search** D15/133;
83/581, 472, 477.1-477.2, 471.2-471.3;
30/377-378, 388-391, 517-525

See application file for complete search history.

(56) **References Cited**

U.S. PATENT DOCUMENTS

- 415,001 A * 11/1889 Welsh 198/637
- 479,454 A * 7/1892 Shih 60/645
- D372,484 S * 8/1996 Price et al. D15/133

* cited by examiner

Primary Examiner—Antoine D. Davis

Assistant Examiner—Patricia Palasik

(74) *Attorney, Agent, or Firm*—Mehul R. Jani; Adan Ayala; Charles E. Yocum

(57) **CLAIM**

The ornamental design for a saw, as shown and described.

DESCRIPTION

FIG. 1 is a front perspective view from the right side of an embodiment of a saw according to the invention.

FIG. 2 is a front elevational view of the embodiment.

FIG. 3 is a rear elevational view of the embodiment.

FIG. 4 is a left side elevational view of the embodiment.

FIG. 5 is a right side elevational view of the embodiment.

FIG. 6 is a top plan view of the embodiment.

FIG. 7 is a bottom plan view of the embodiment.

FIG. 8 is a front perspective view from the right side of an embodiment of a saw according to the invention.

FIG. 9 is a front elevational view of the embodiment.

FIG. 10 is a rear elevational view of the embodiment.

FIG. 11 is a left side elevational view of the embodiment.

FIG. 12 is a right side elevational view of the embodiment.

FIG. 13 is a top plan view of the embodiment; and,

FIG. 14 is a bottom plan view of the embodiment.

In the above drawings, any wording or numerals shown therein does not form a part of the invention.

1 Claim, 14 Drawing Sheets

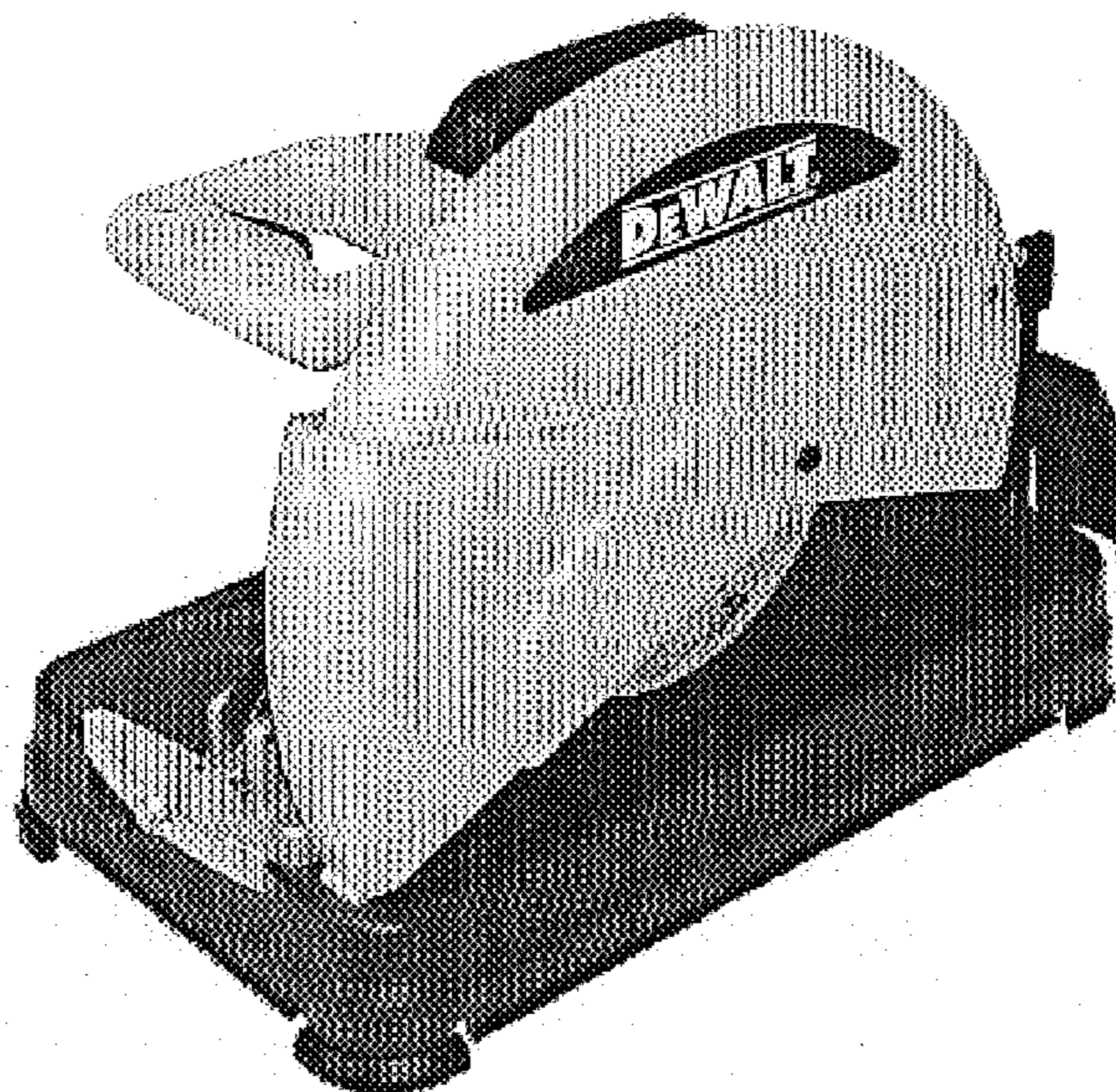




FIG. 1

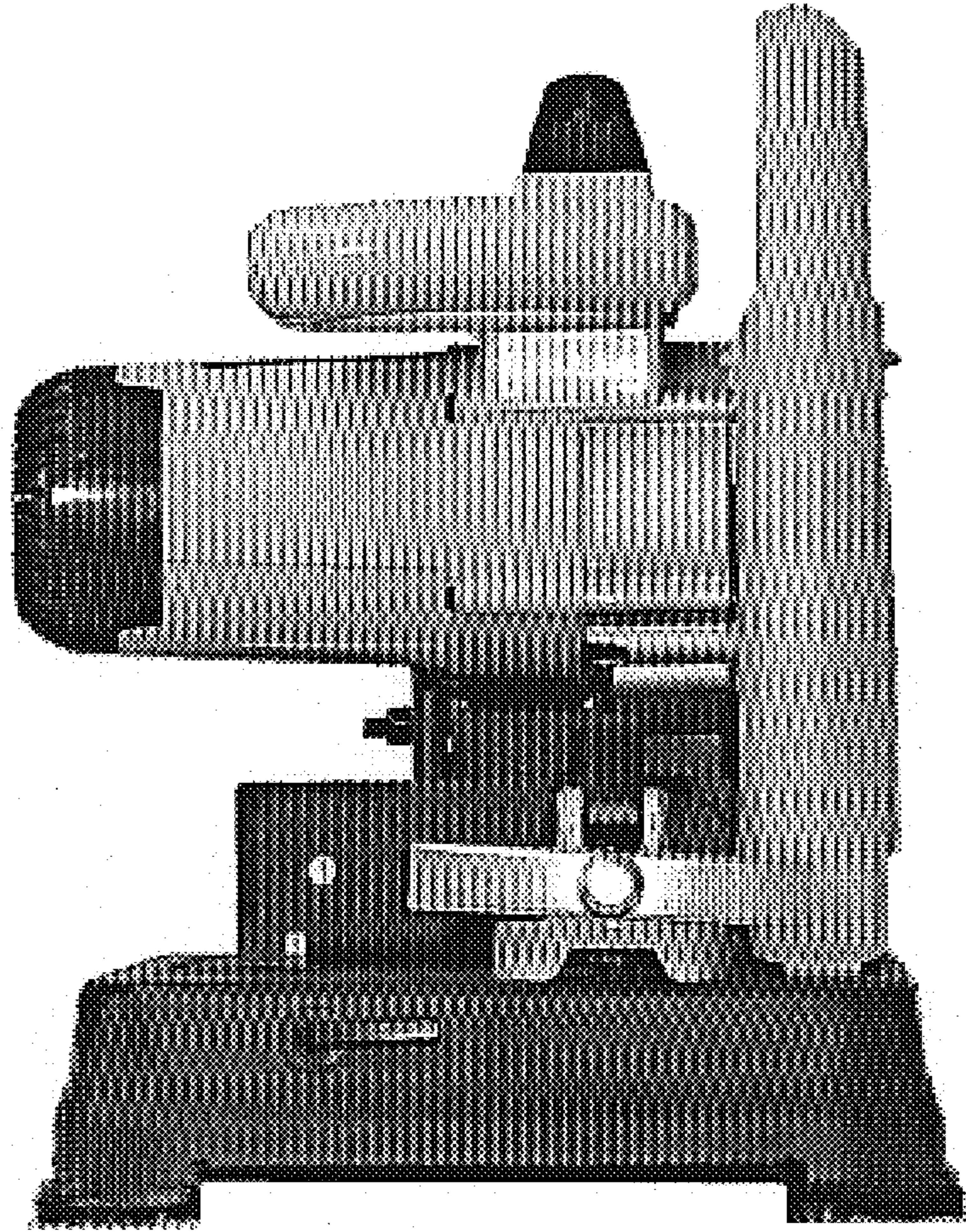


FIG. 2

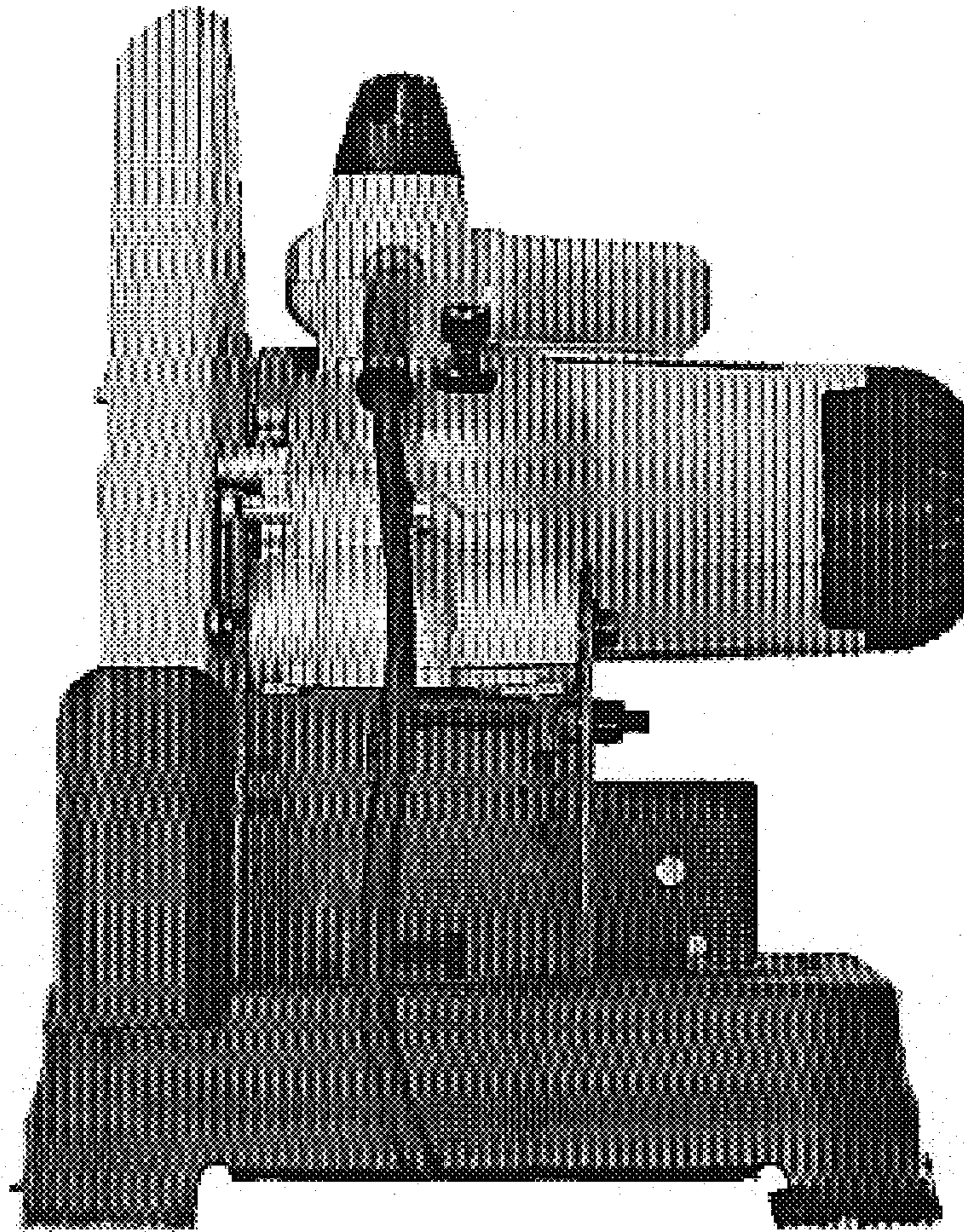


FIG. 3

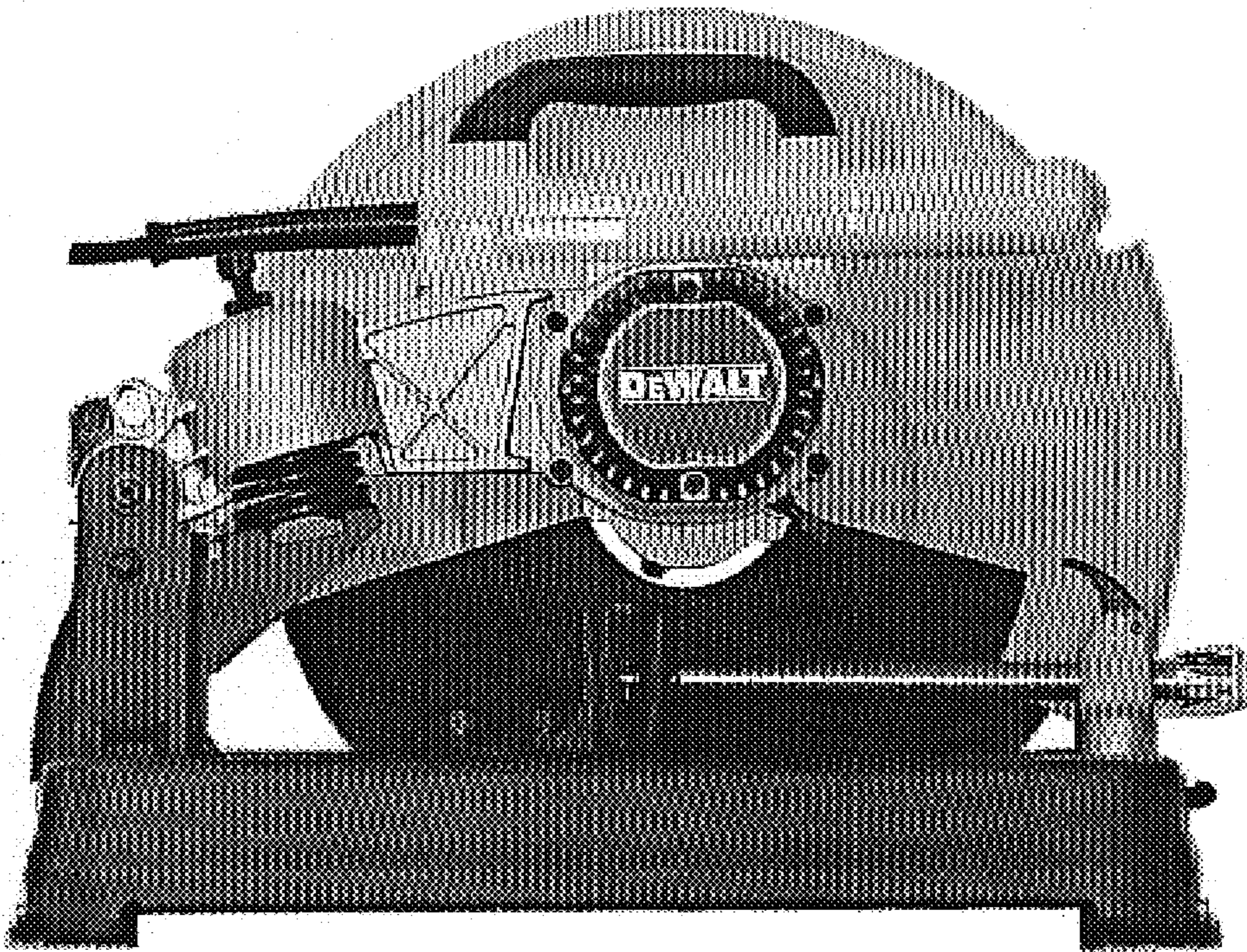


FIG. 4

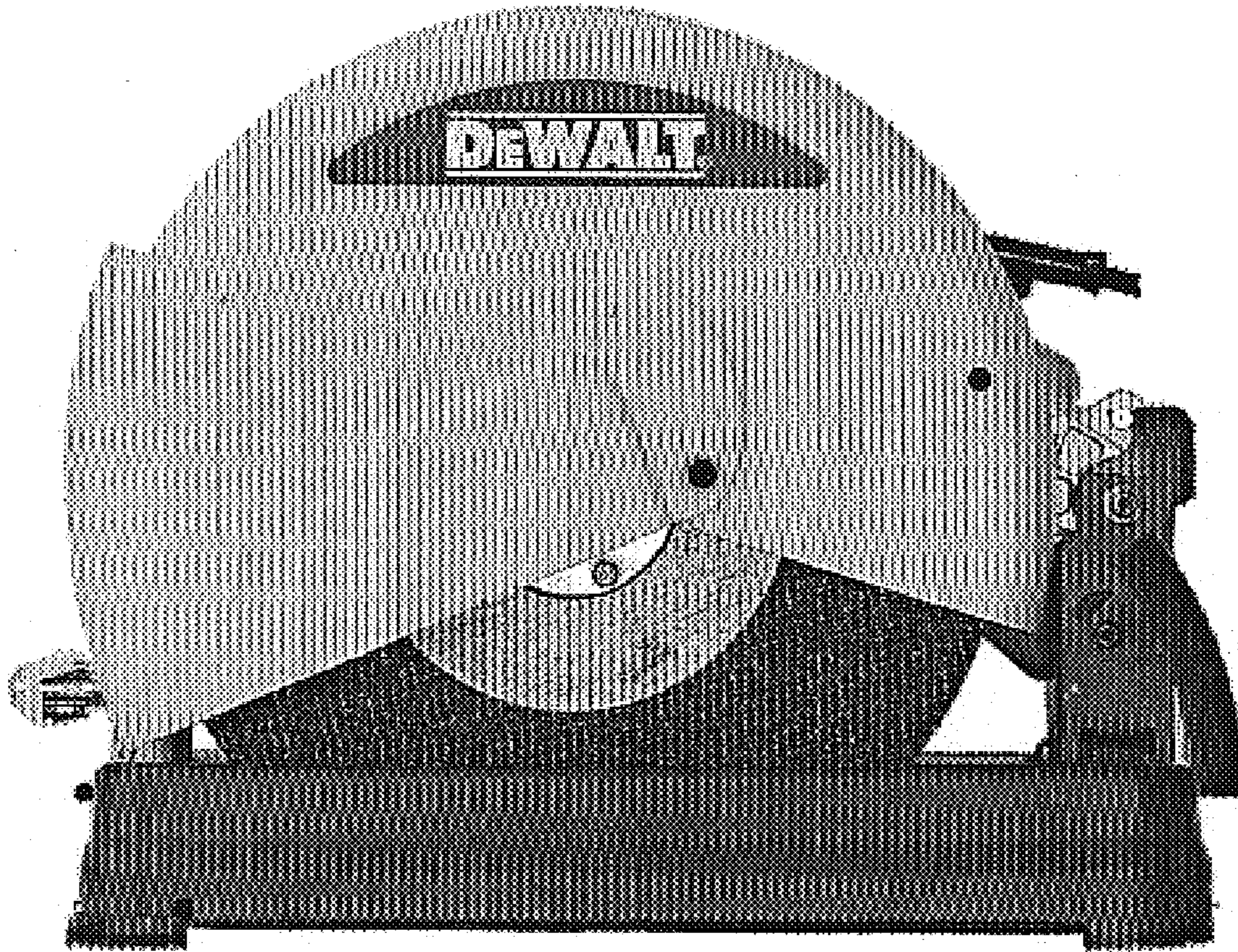


FIG. 5

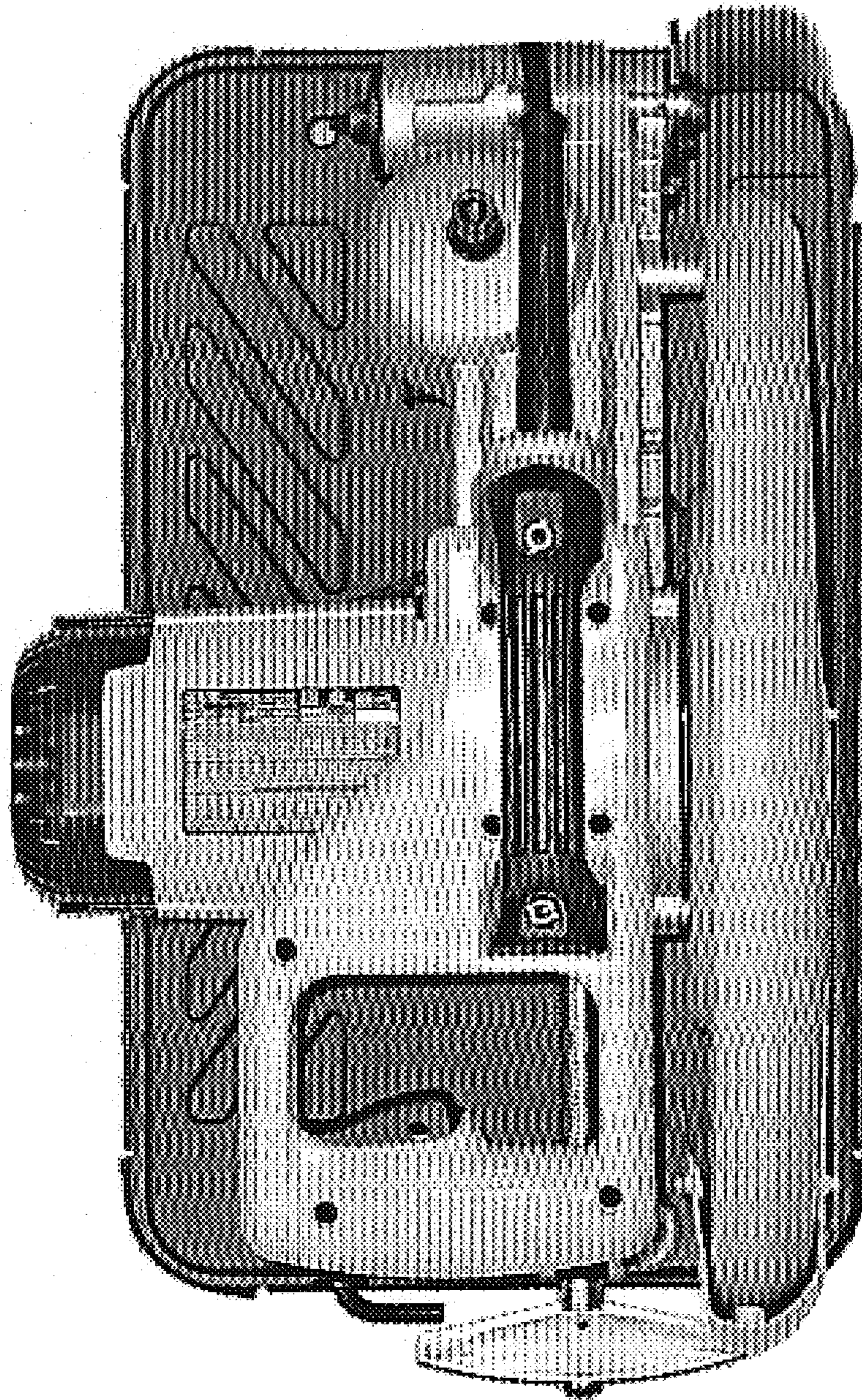


FIG. 6

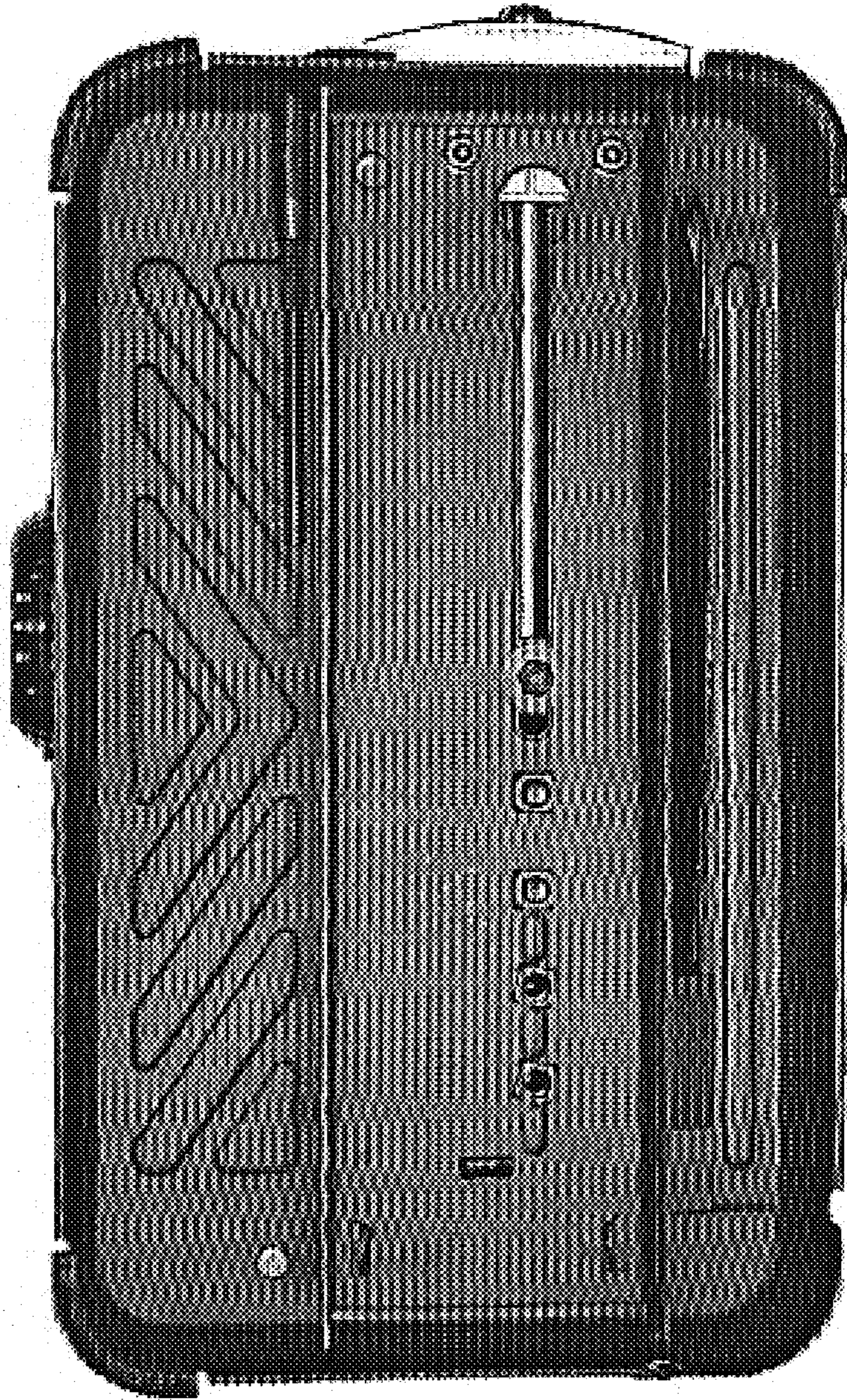


FIG. 7



FIG. 8

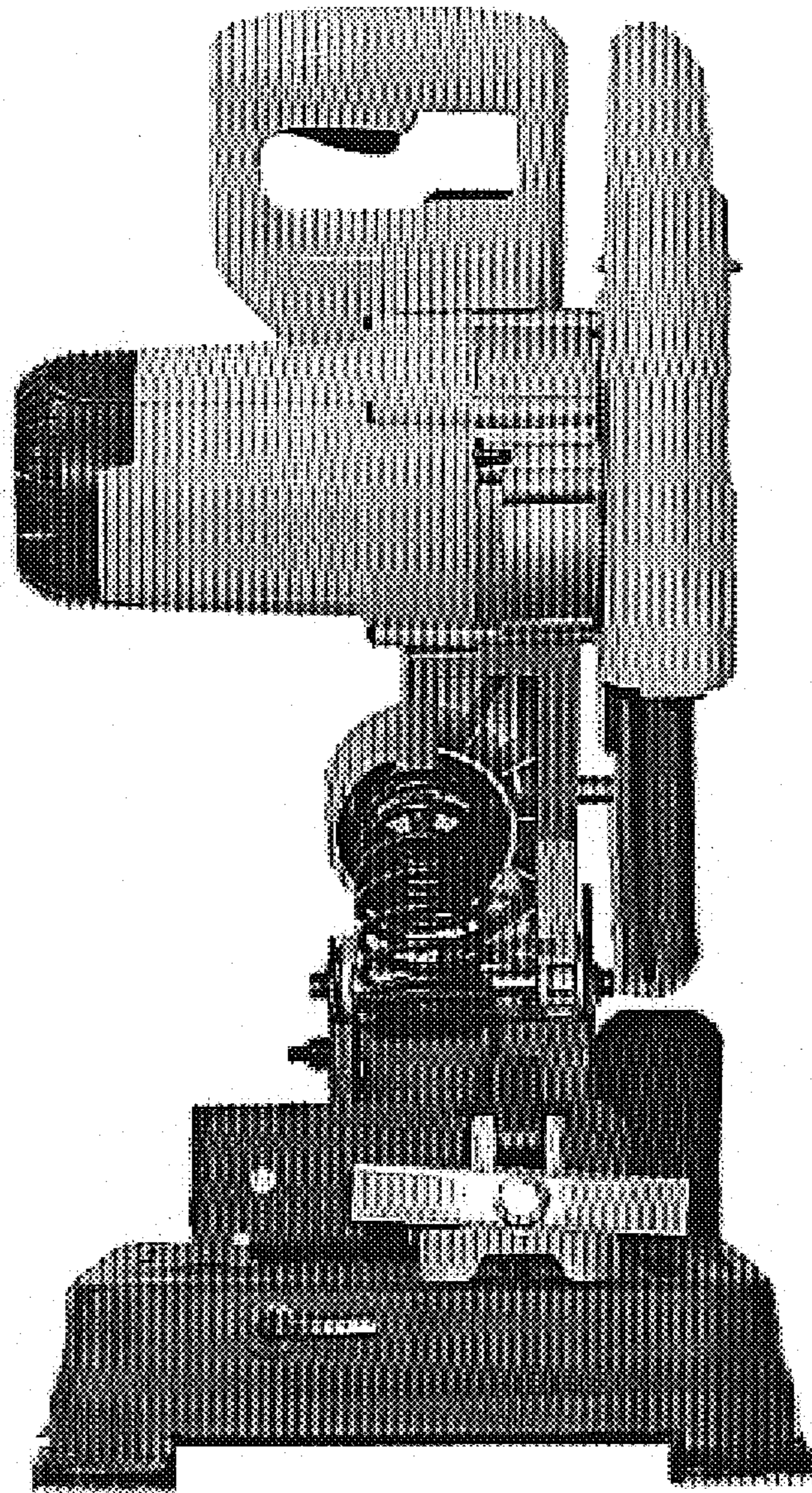


FIG. 9

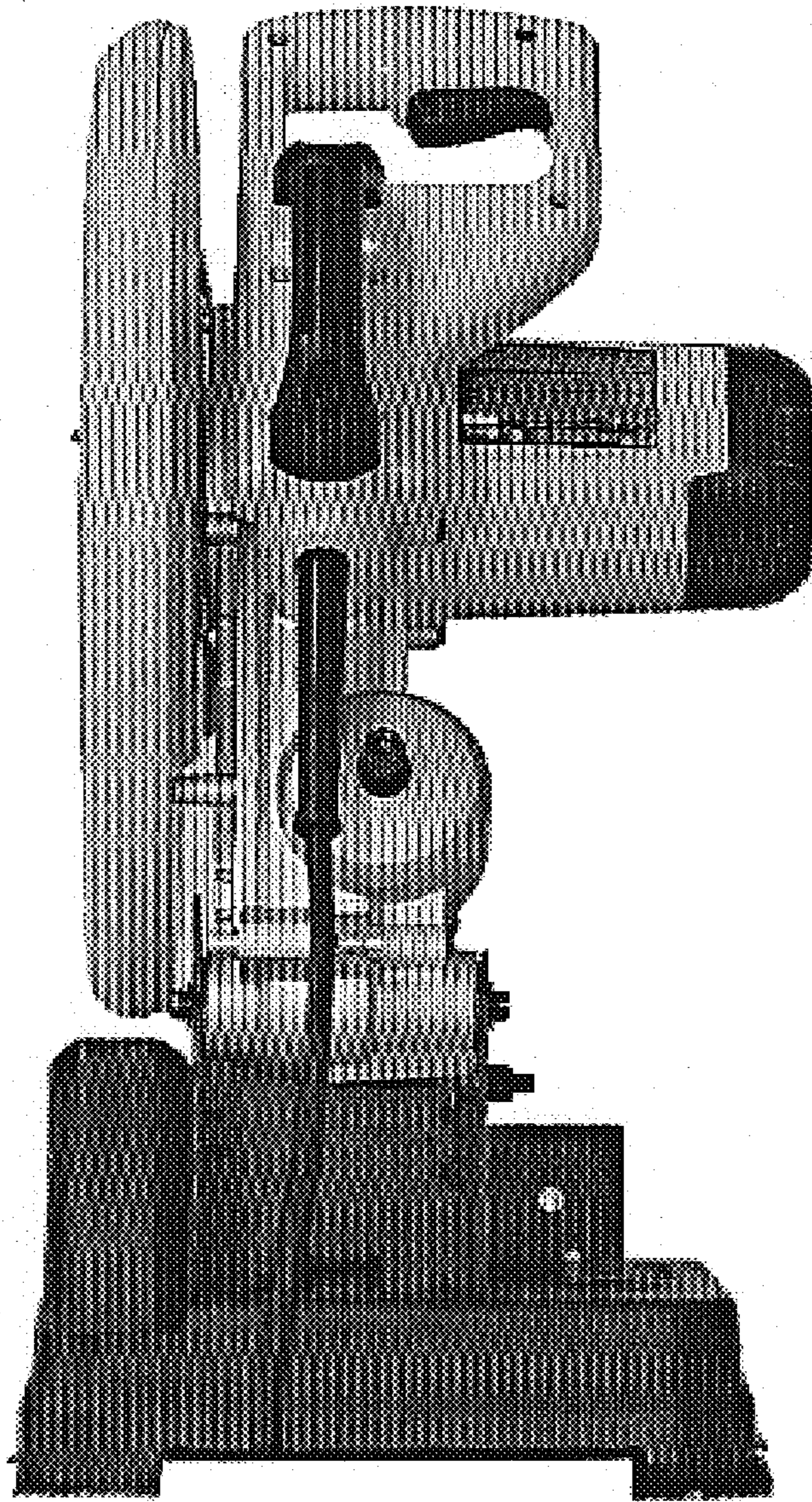


FIG. 10

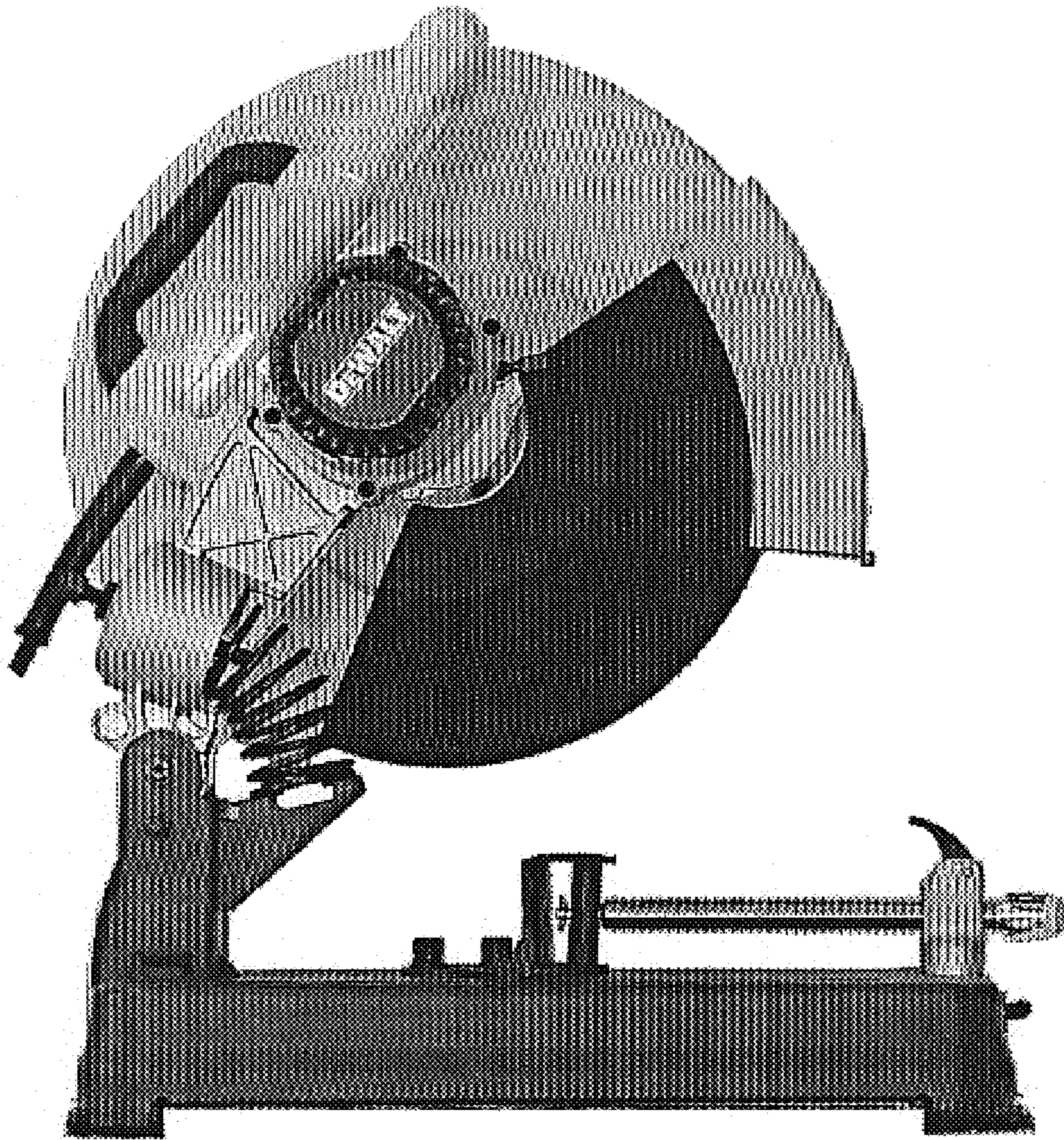


FIG. 11

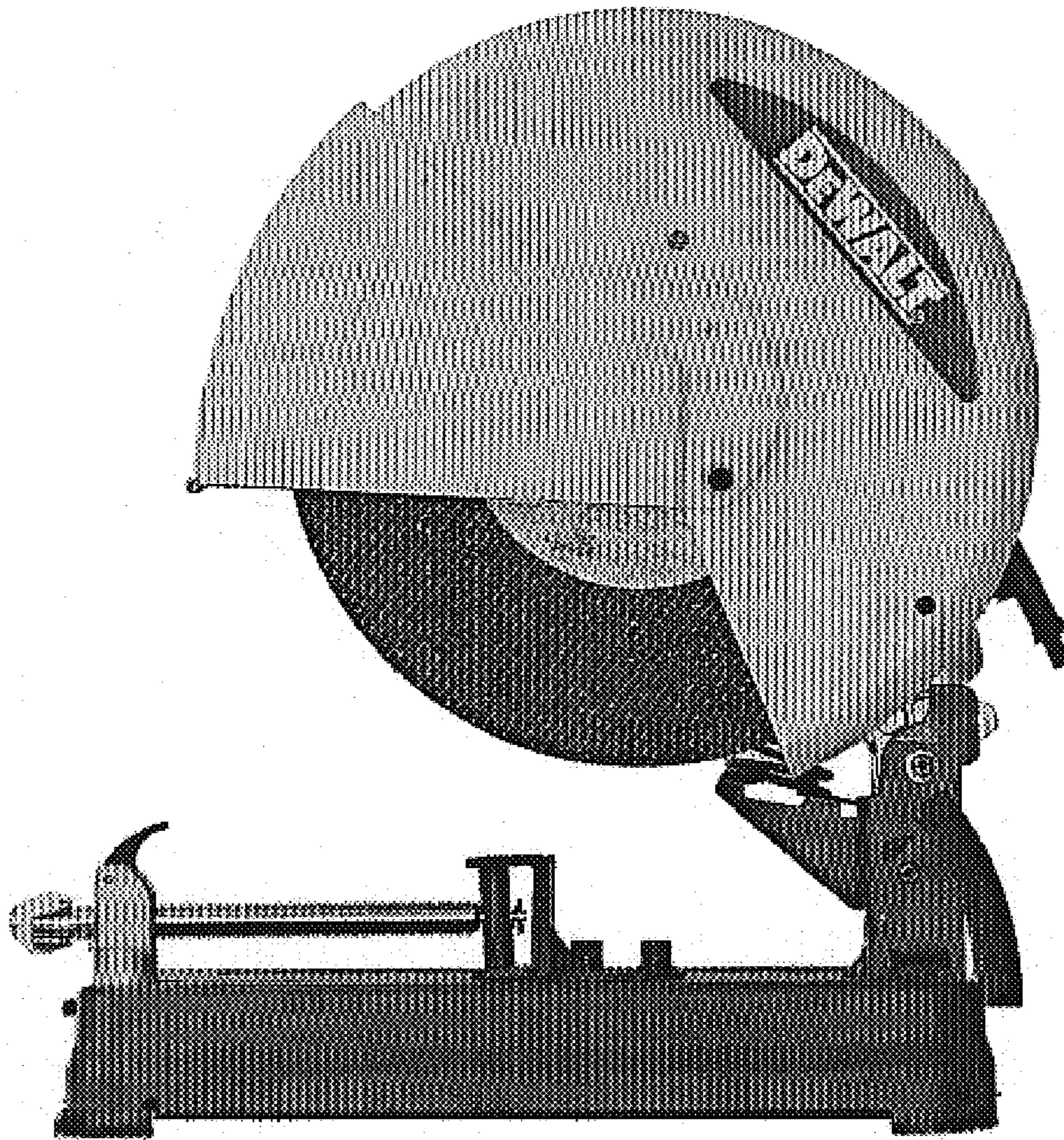


FIG. 12

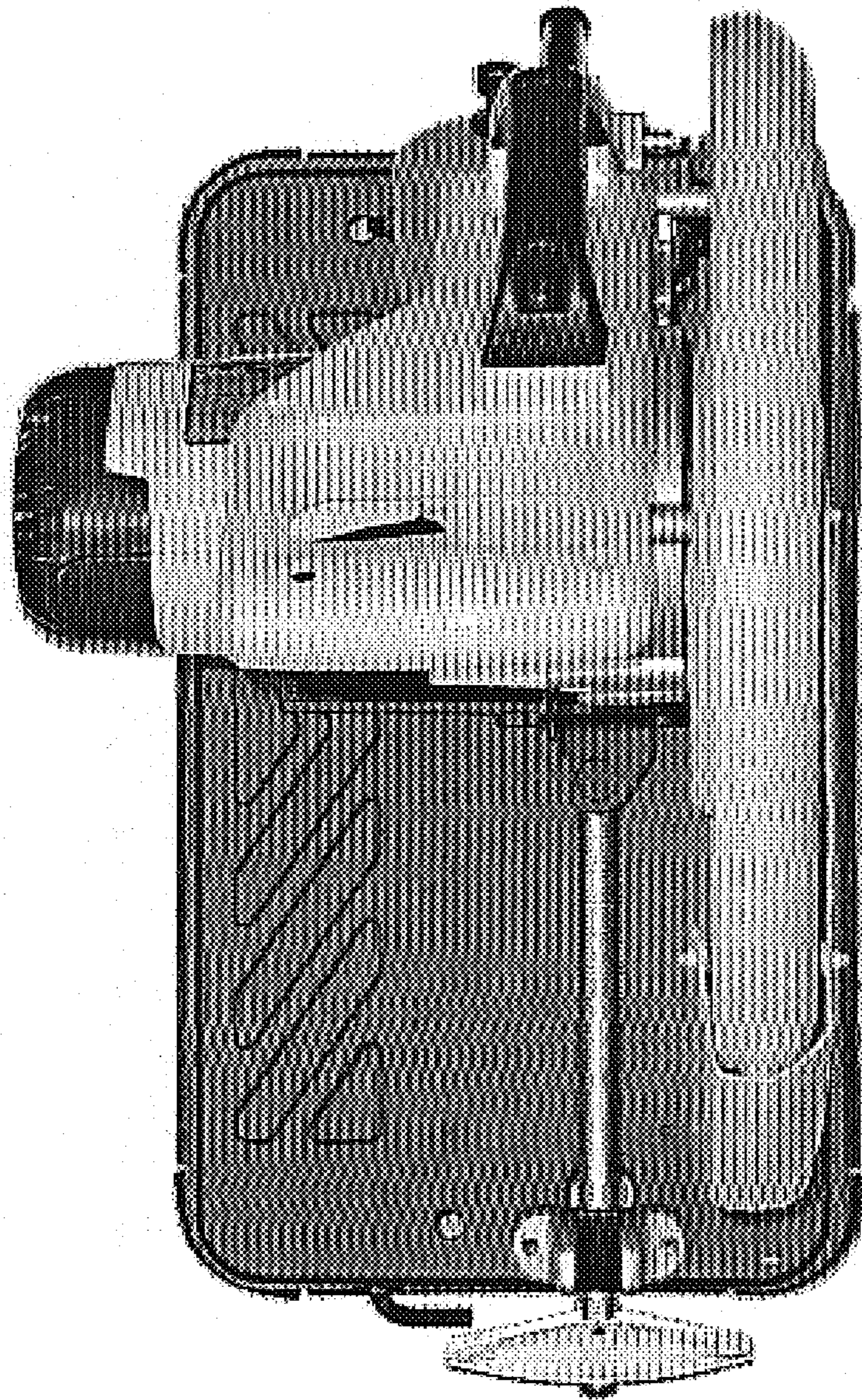


FIG. 13

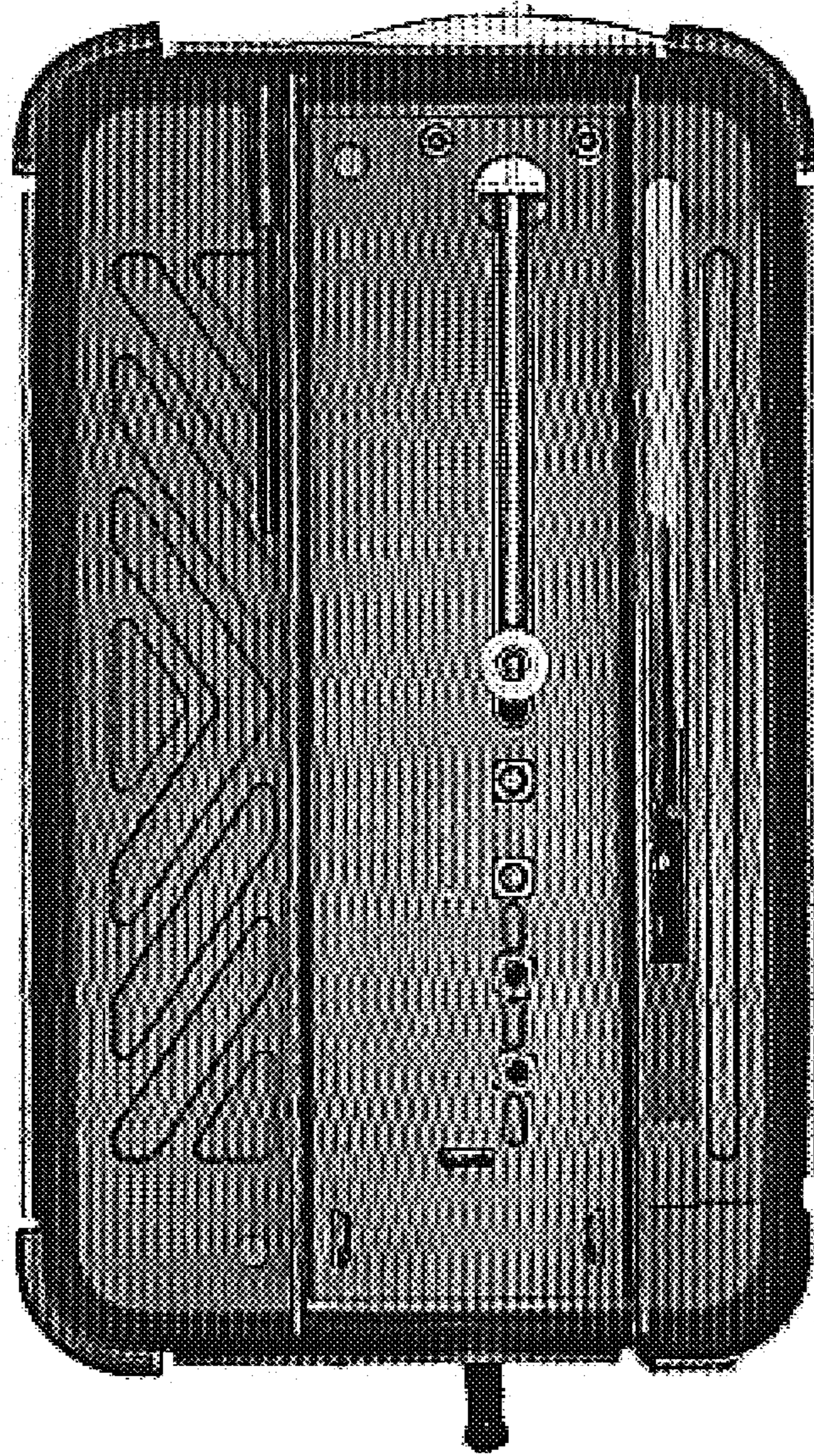


FIG. 14