



US00D520025S

(12) **United States Design Patent**
Chu

(10) **Patent No.:** **US D520,025 S**

(45) **Date of Patent:** **** May 2, 2006**

(54) **AIR COMPRESSOR**

D488,820 S * 4/2004 Rozek D15/7
D499,745 S * 12/2004 Hsiao D15/9

(76) Inventor: **Sammy Chu**, 26072 Merit Cir., Suite
111, Laguna Hills, CA (US) 92653

* cited by examiner

(**) Term: **14 Years**

Primary Examiner—Ralf Seifert

(21) Appl. No.: **29/215,921**

(57) **CLAIM**

(22) Filed: **Oct. 26, 2004**

The ornamental design for an air compressor, as shown and described.

(51) **LOC (8) Cl.** **15-02**

(52) **U.S. Cl.** **D15/9**

(58) **Field of Classification Search** D15/7-9;
417/234-235, 360, 415; D26/38; 248/645
See application file for complete search history.

DESCRIPTION

FIG. 1 is a perspective view of an air compressor showing the new design.

FIG. 2 is a front view thereof.

FIG. 3 is a rear view thereof.

FIG. 4 is a left side view thereof.

FIG. 5 is a right side view thereof.

FIG. 6 is a top view thereof; and,

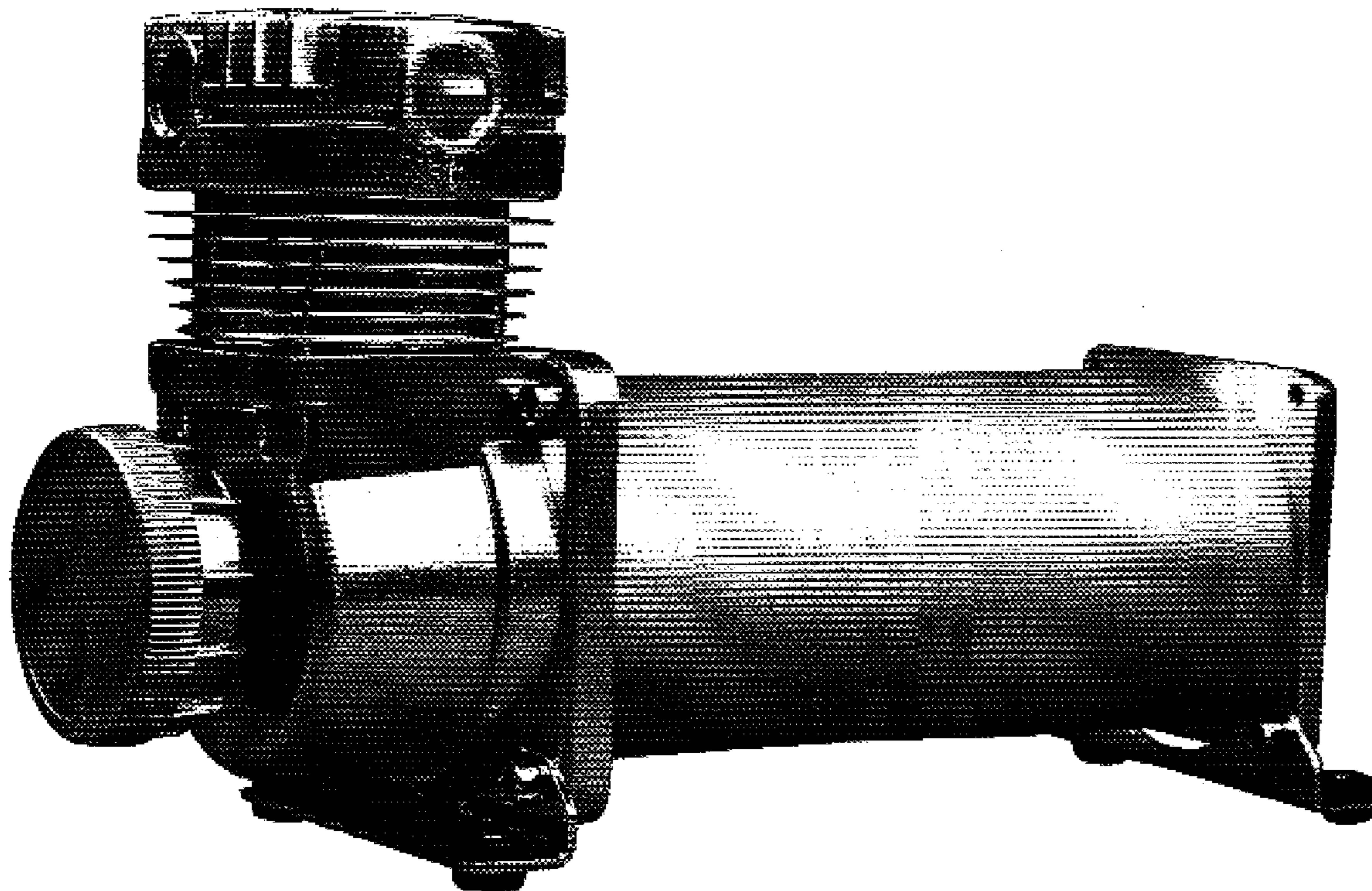
FIG. 7 is a bottom view thereof.

(56) **References Cited**

U.S. PATENT DOCUMENTS

D384,674 S * 10/1997 Grolle et al. D15/7
D405,455 S * 2/1999 Leu et al. D15/9
D419,567 S * 1/2000 Weiss D15/7
D486,835 S * 2/2004 Hsiao D15/9

1 Claim, 7 Drawing Sheets



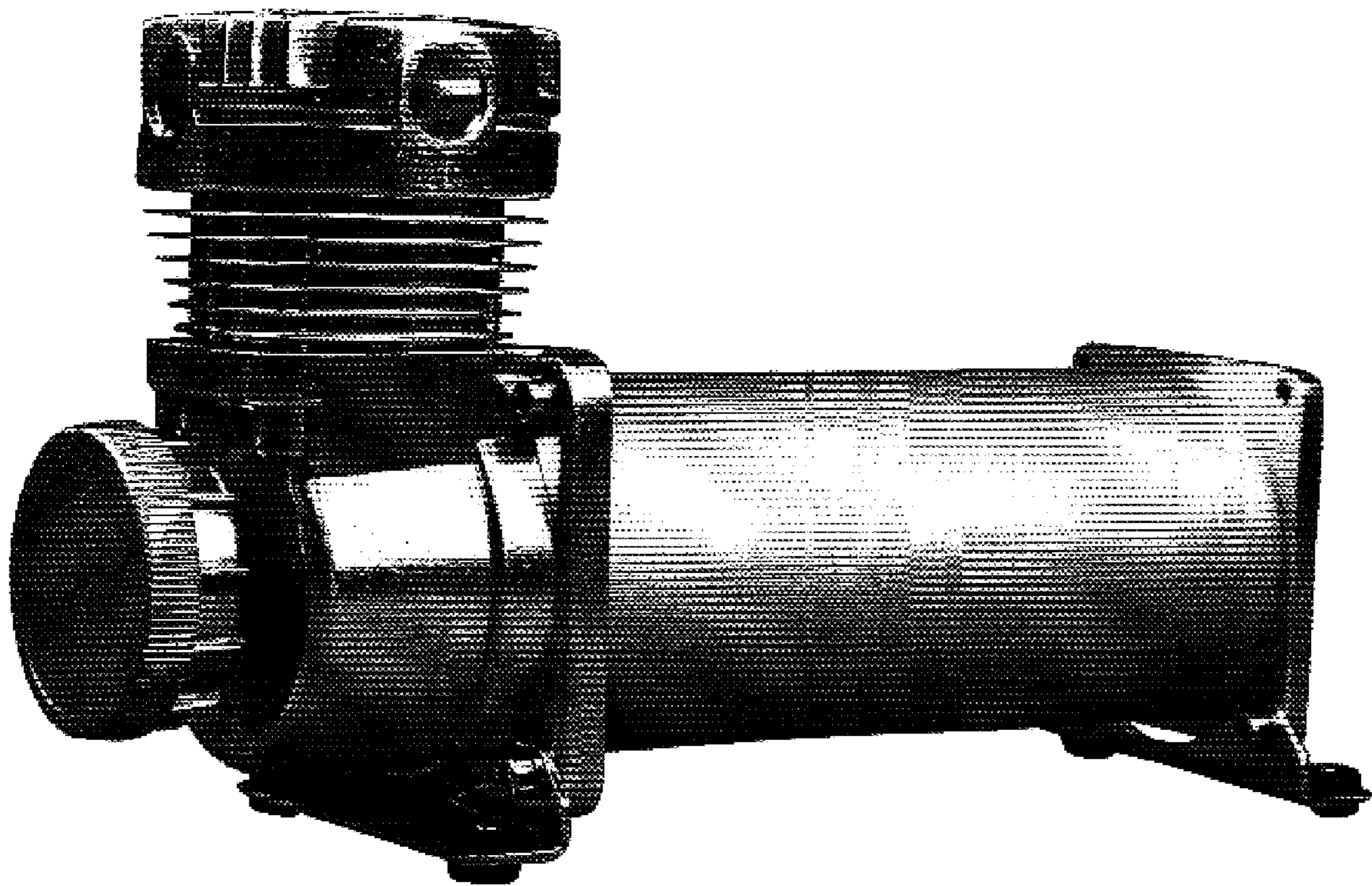


Figure 1

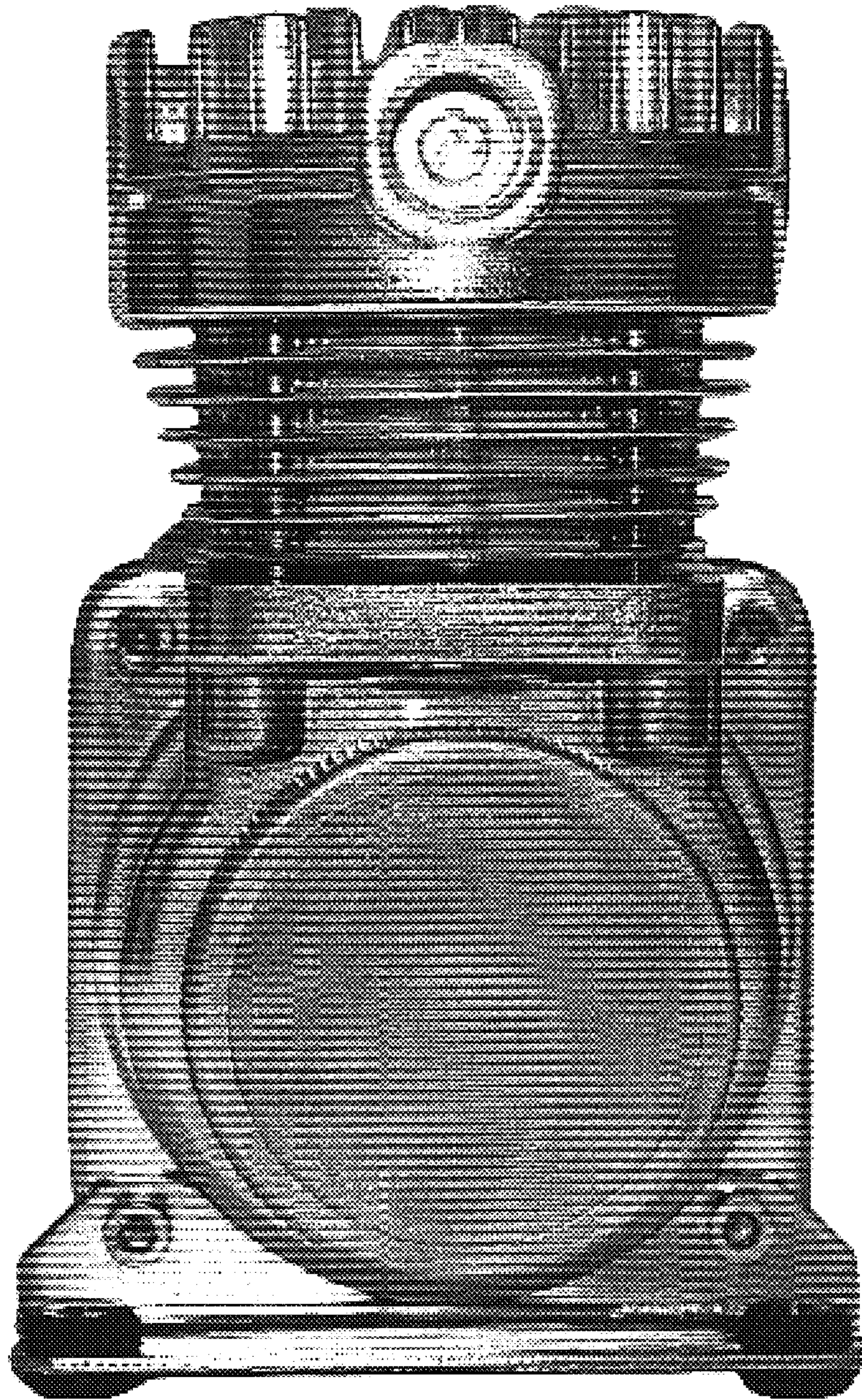


Figure 2

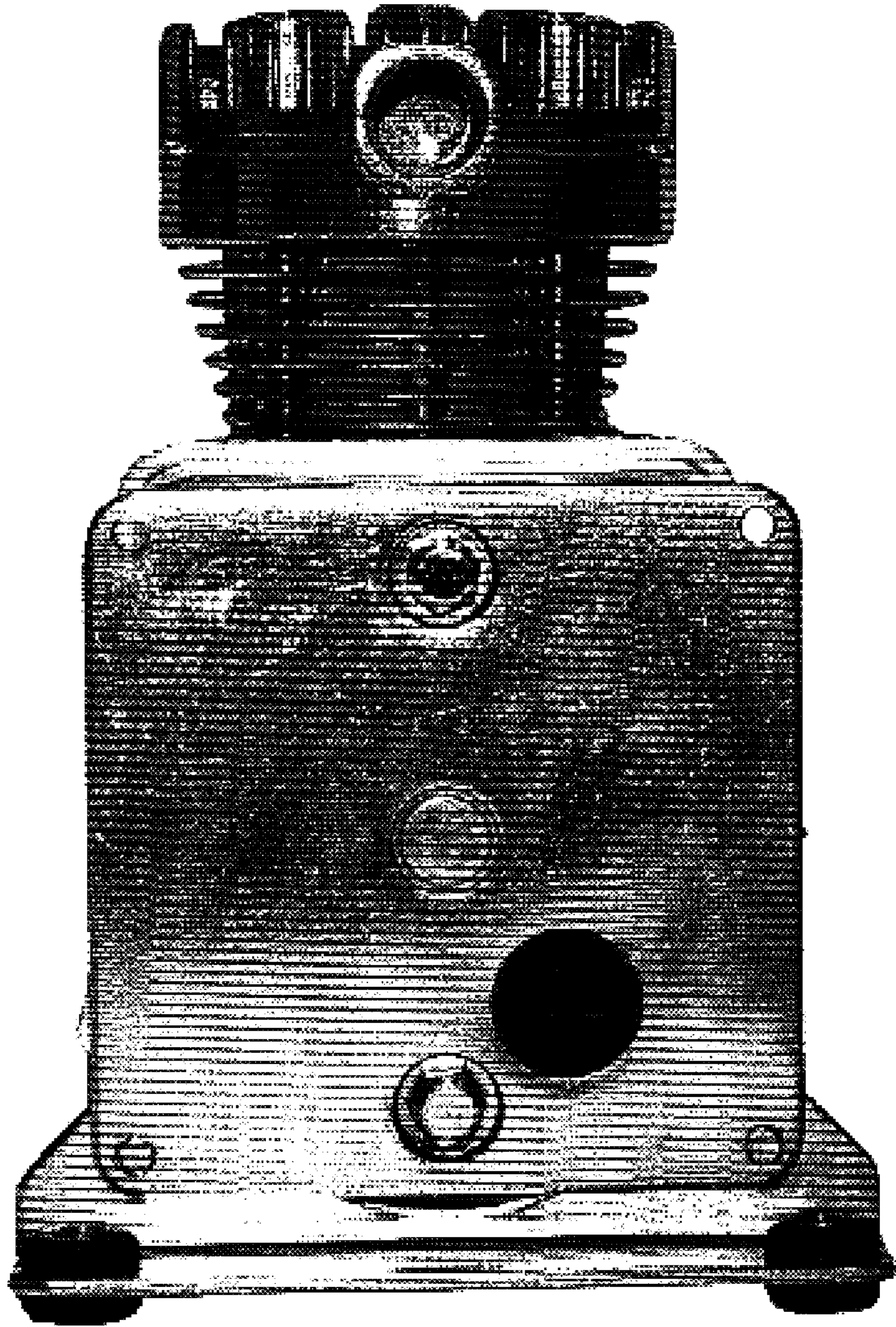


Figure 3

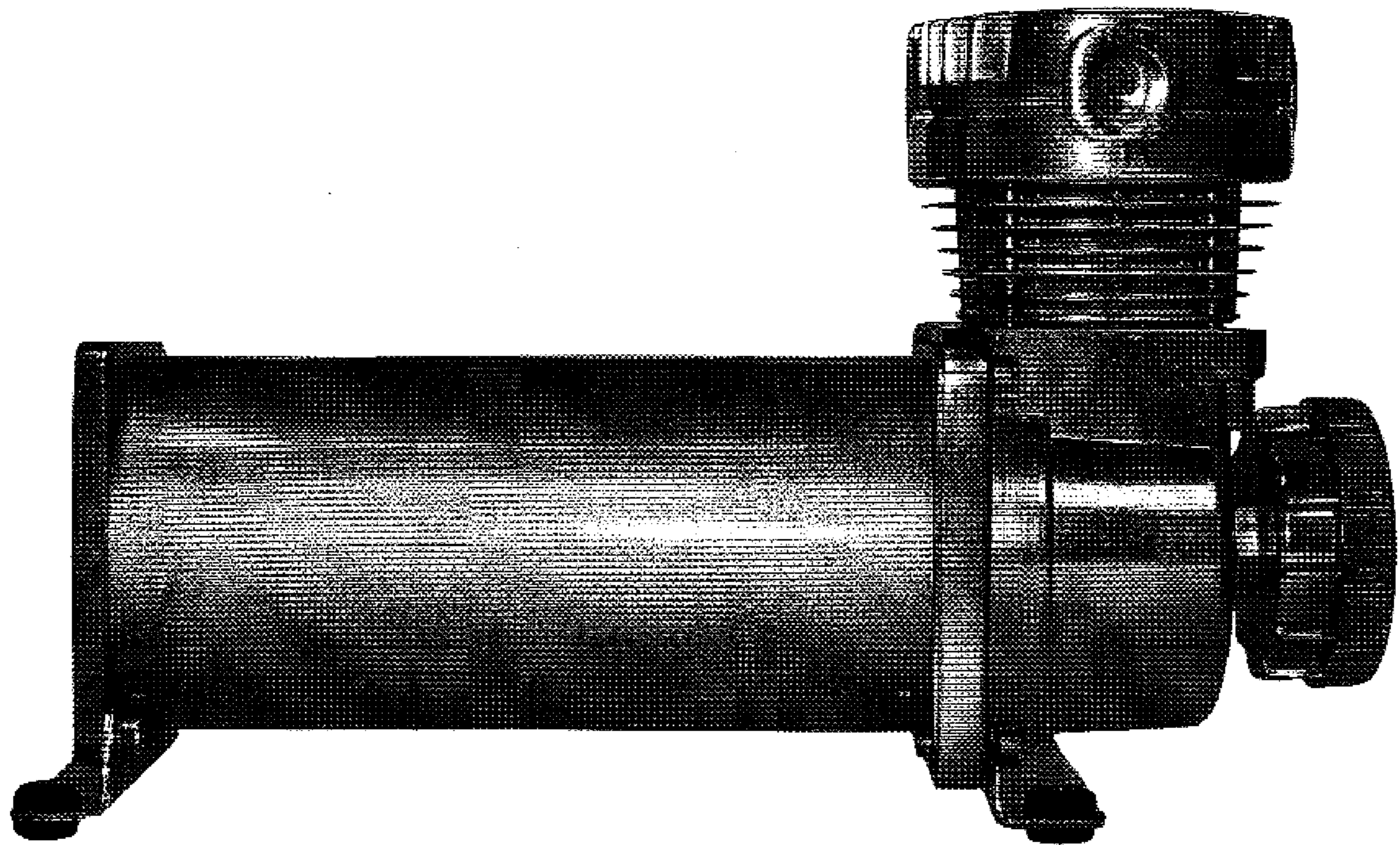


Figure 4

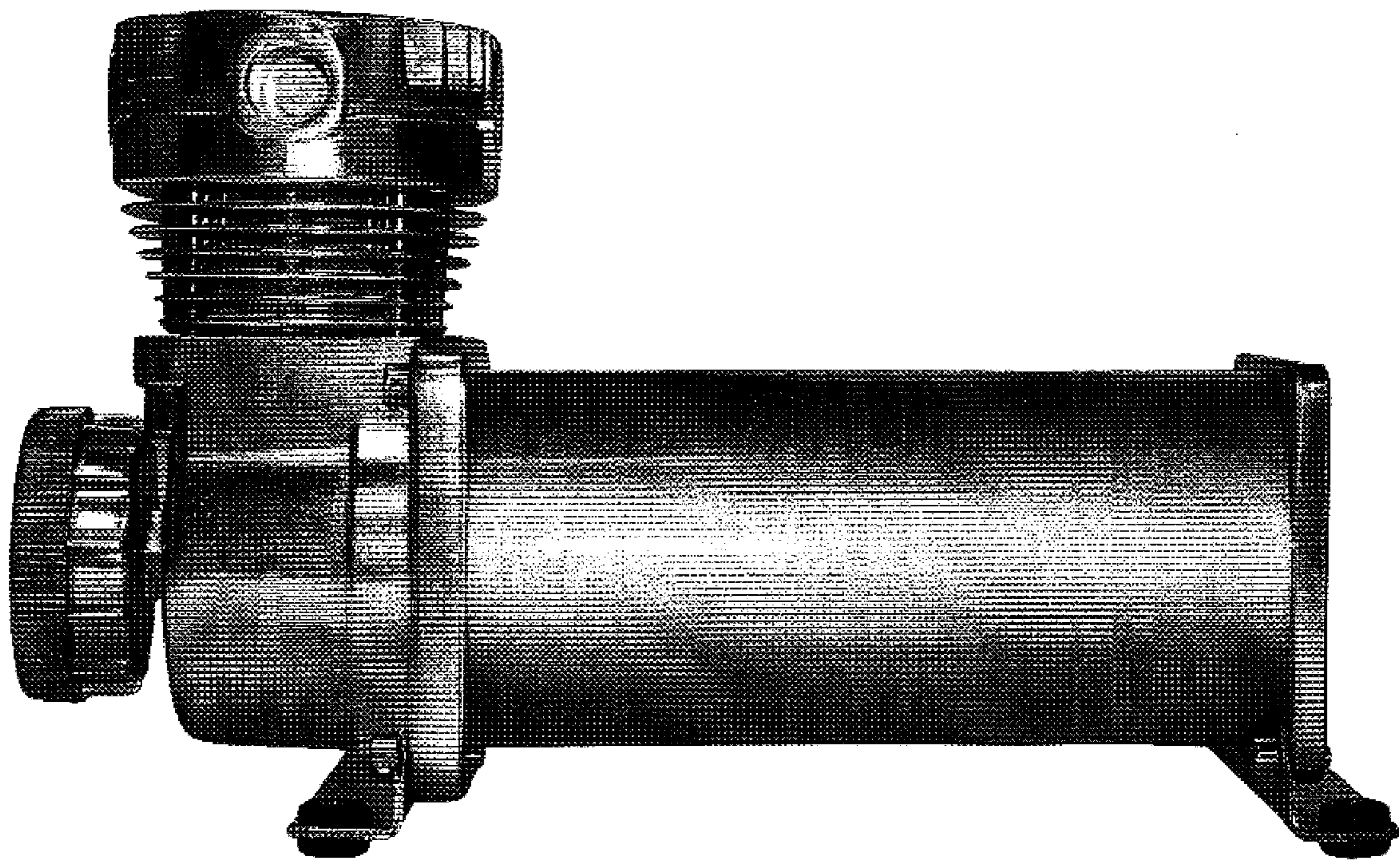


Figure 5

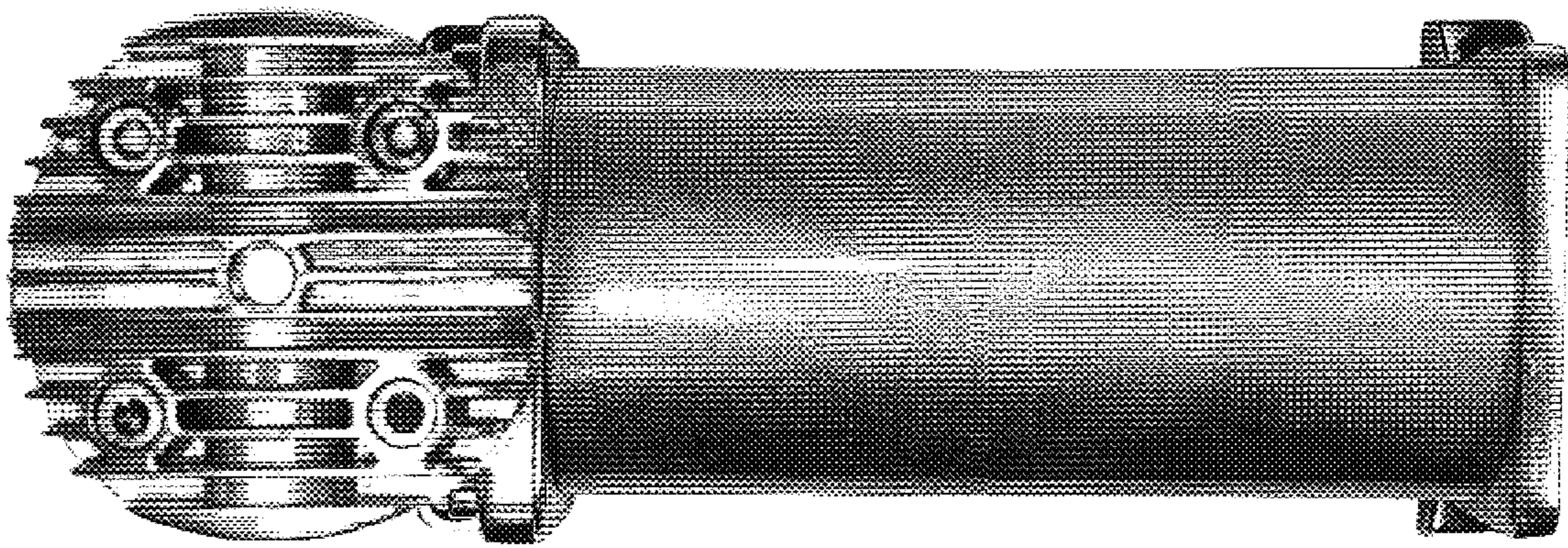


Figure 6

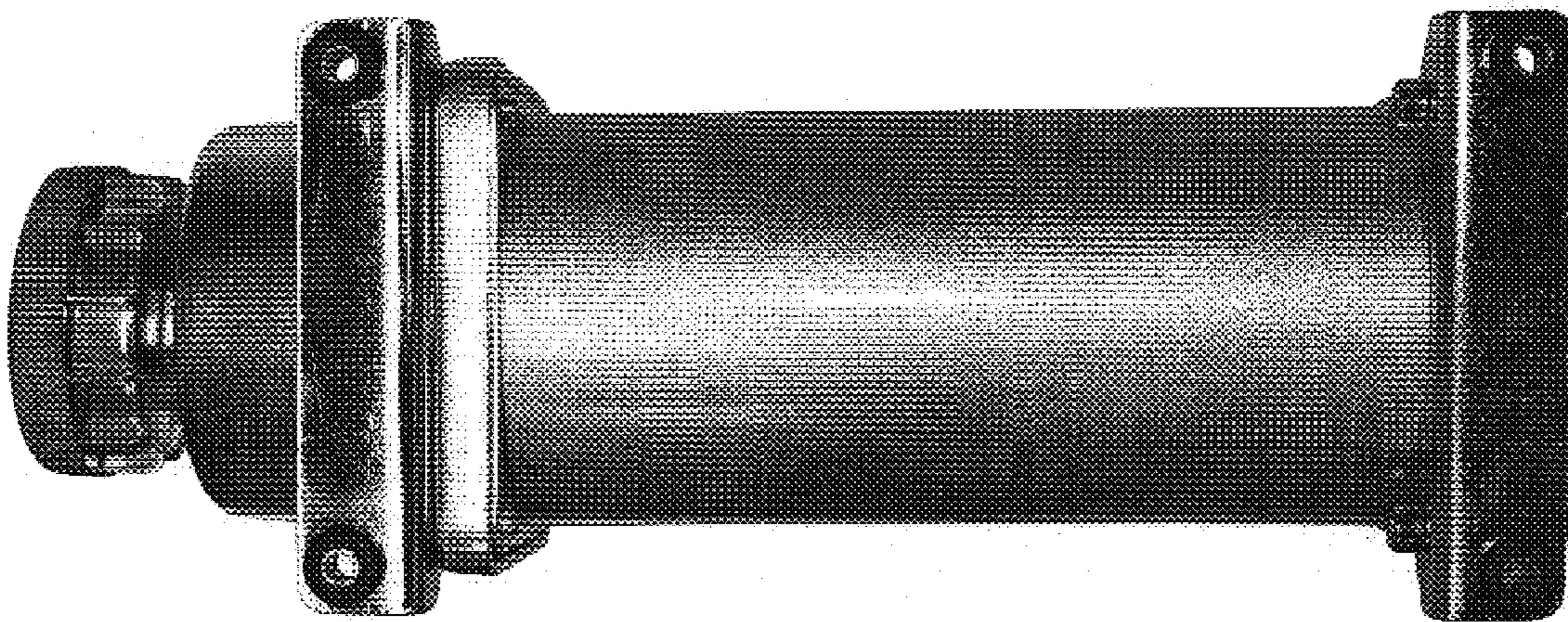


Figure 7