

US00D520024S

(12) **United States Design Patent**
Chen

(10) **Patent No.:** **US D520,024 S**

(45) **Date of Patent:** **** May 2, 2006**

(54) **PUMP**

(75) Inventor: **Hou-Chu Chen**, Taoyuan (TW)

(73) Assignee: **Delta Electroics Inc.**, Taoyuan Hsien (TW)

(**) Term: **14 Years**

(21) Appl. No.: **29/219,284**

(22) Filed: **Dec. 16, 2004**

(30) **Foreign Application Priority Data**

Jul. 30, 2004 (TW) 93304499

(51) **LOC (8) Cl.** **15-02**

(52) **U.S. Cl.** **D15/7**

(58) **Field of Classification Search** D15/7-9;
D23/231, 232; 417/410.1, 359, 415-416,
417/234, 321, 265, 405; 610/71, 150-153
See application file for complete search history.

(56) **References Cited**

U.S. PATENT DOCUMENTS

D482,370 S * 11/2003 Niwatsukino et al. D15/7

D484,146 S * 12/2003 Urano et al. D15/7
D492,325 S * 6/2004 Niwatsukino et al. D15/7
D504,900 S * 5/2005 Wang D15/7

* cited by examiner

Primary Examiner—Ralf Seifert

(74) *Attorney, Agent, or Firm*—Birch, Stewart, Kolasch & Birch, LLP

(57) **CLAIM**

The ornamental design for a pump, shown and described herein.

DESCRIPTION

FIG. 1 is a perspective view of a pump showing our new design;

FIG. 2 is a right side view thereof;

FIG. 3 is a top view thereof;

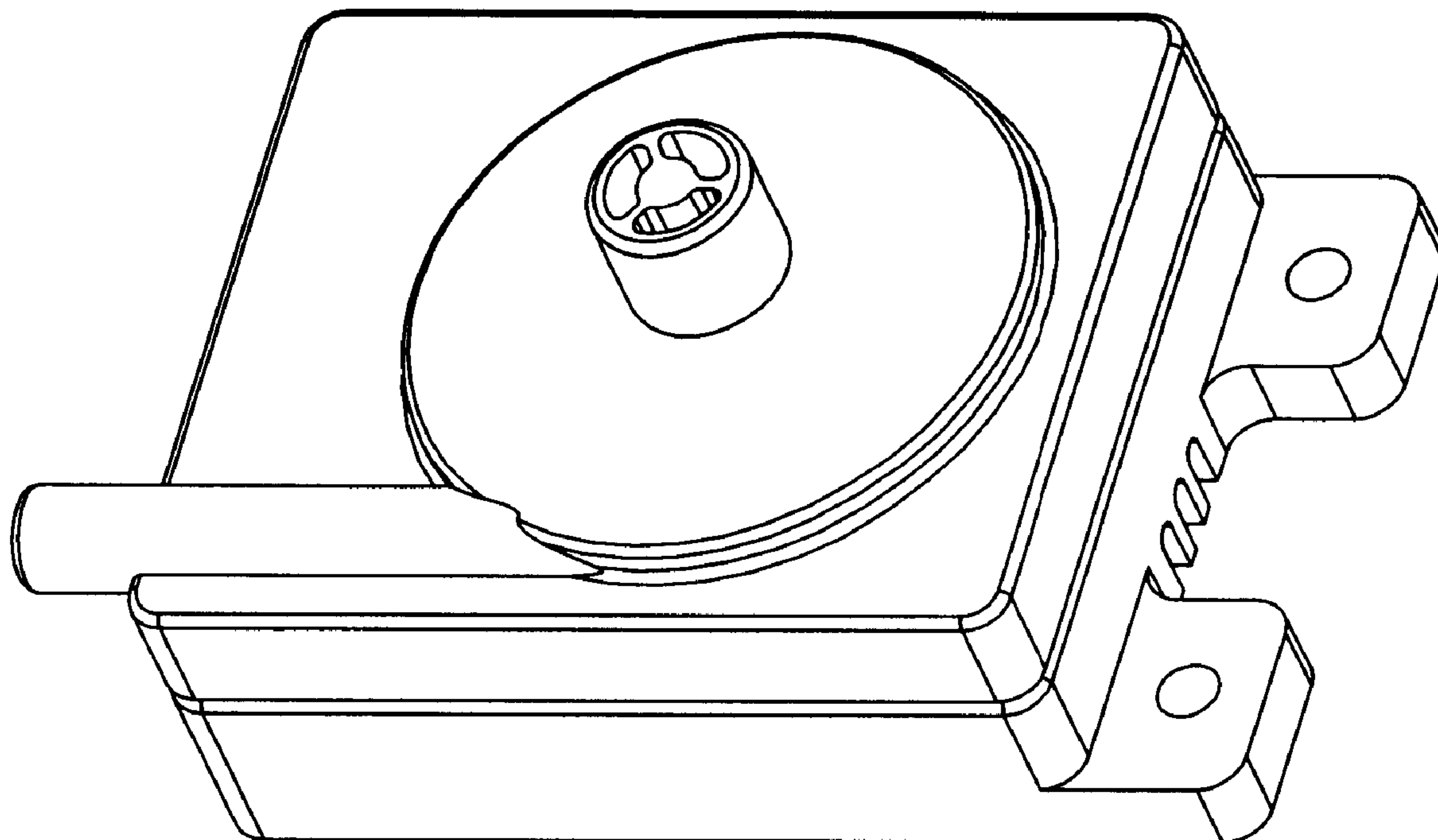
FIG. 4 is a front view thereof;

FIG. 5 is a bottom view thereof;

FIG. 6 is a left side view thereof; and,

FIG. 7 is a rear view thereof.

1 Claim, 7 Drawing Sheets



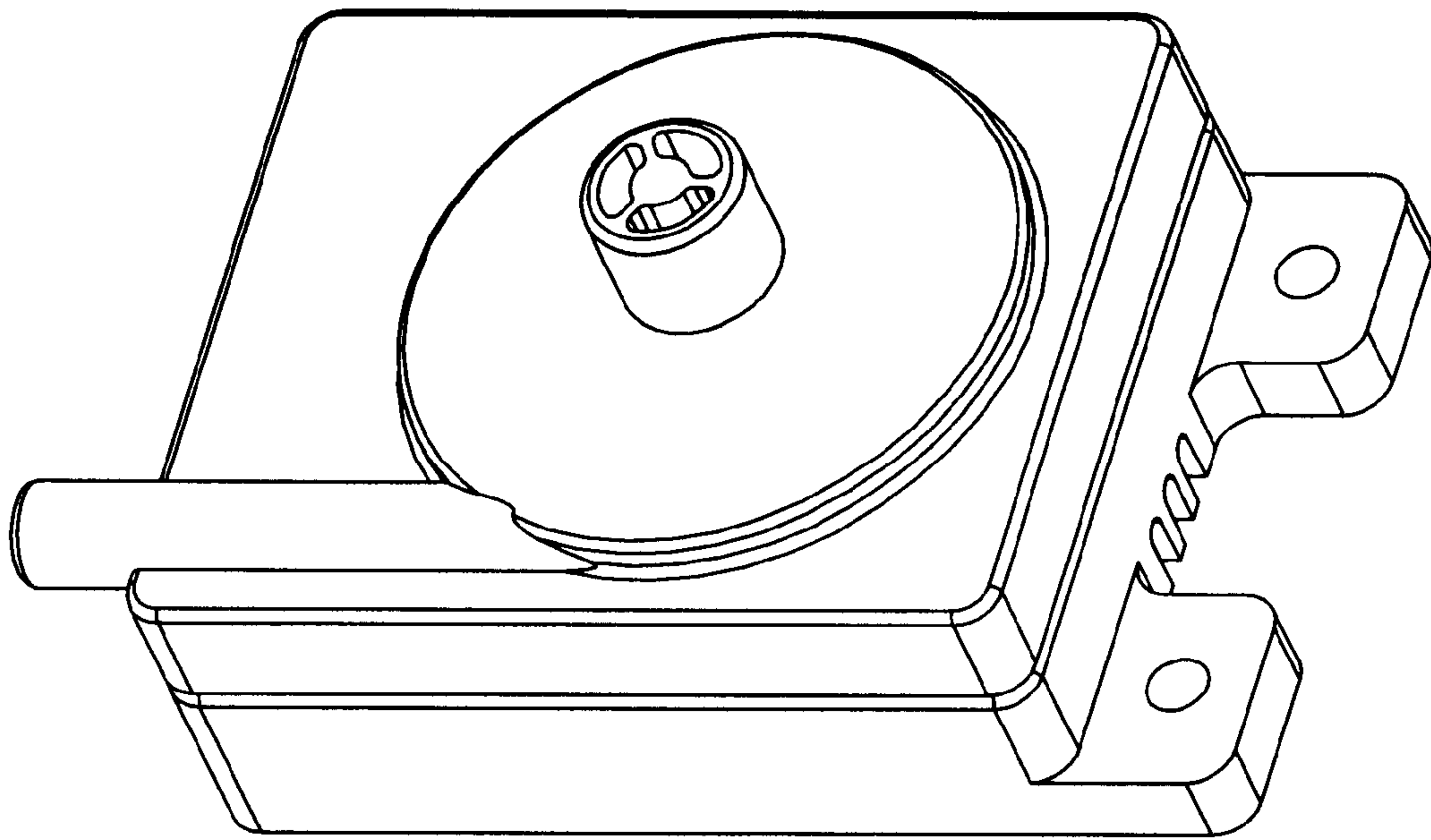


Fig.1

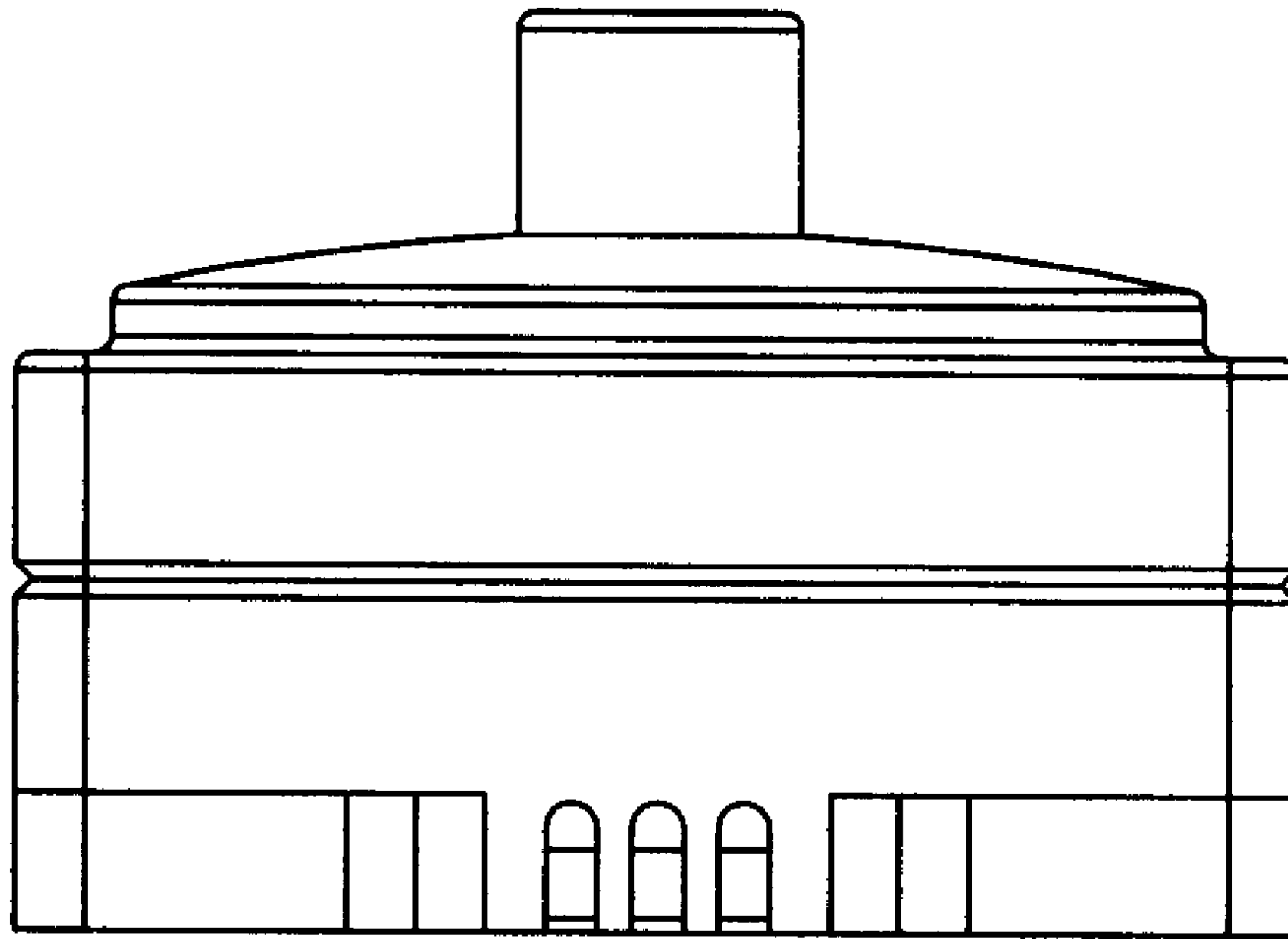


Fig.2

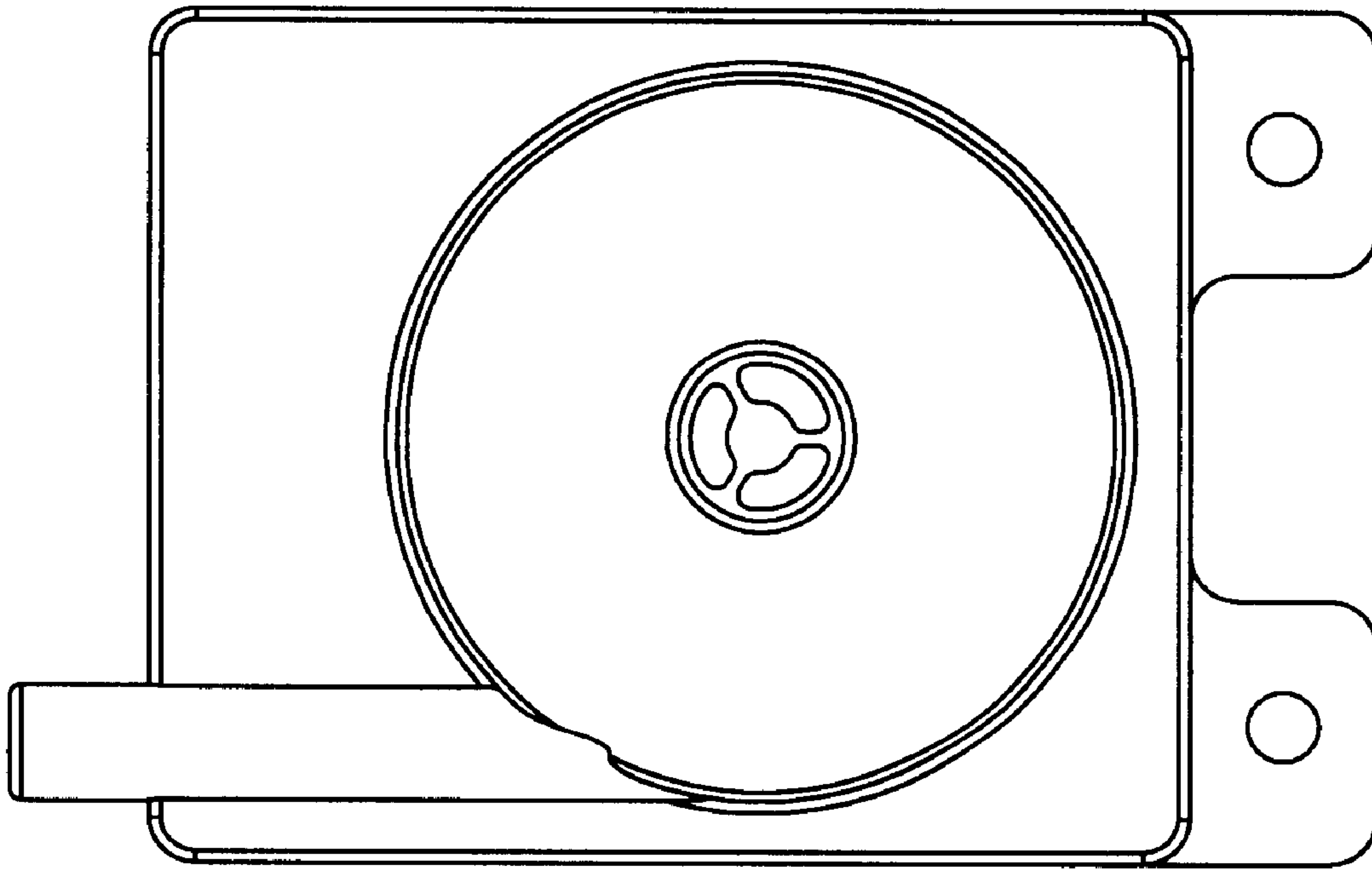


Fig.3

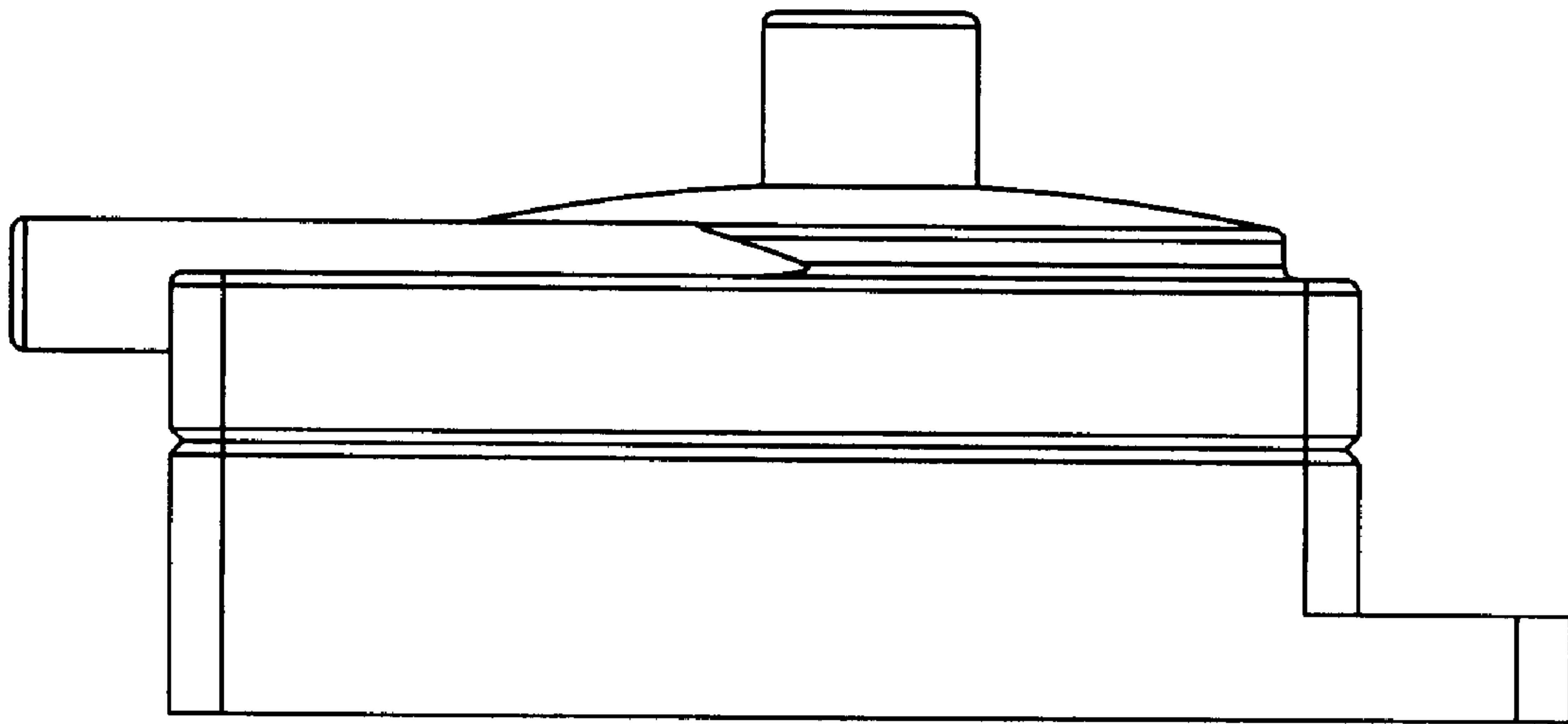


Fig.4

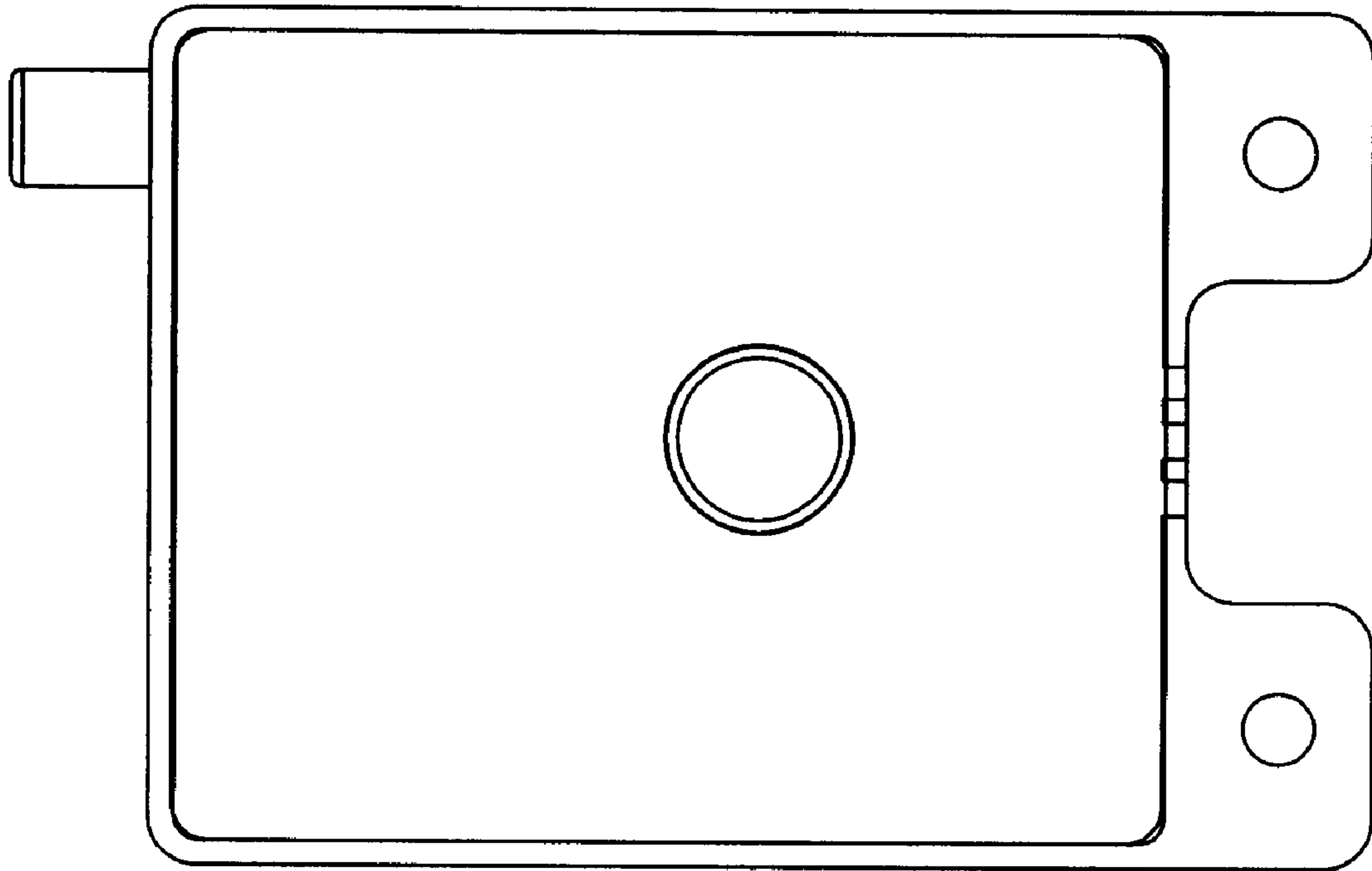


Fig.5

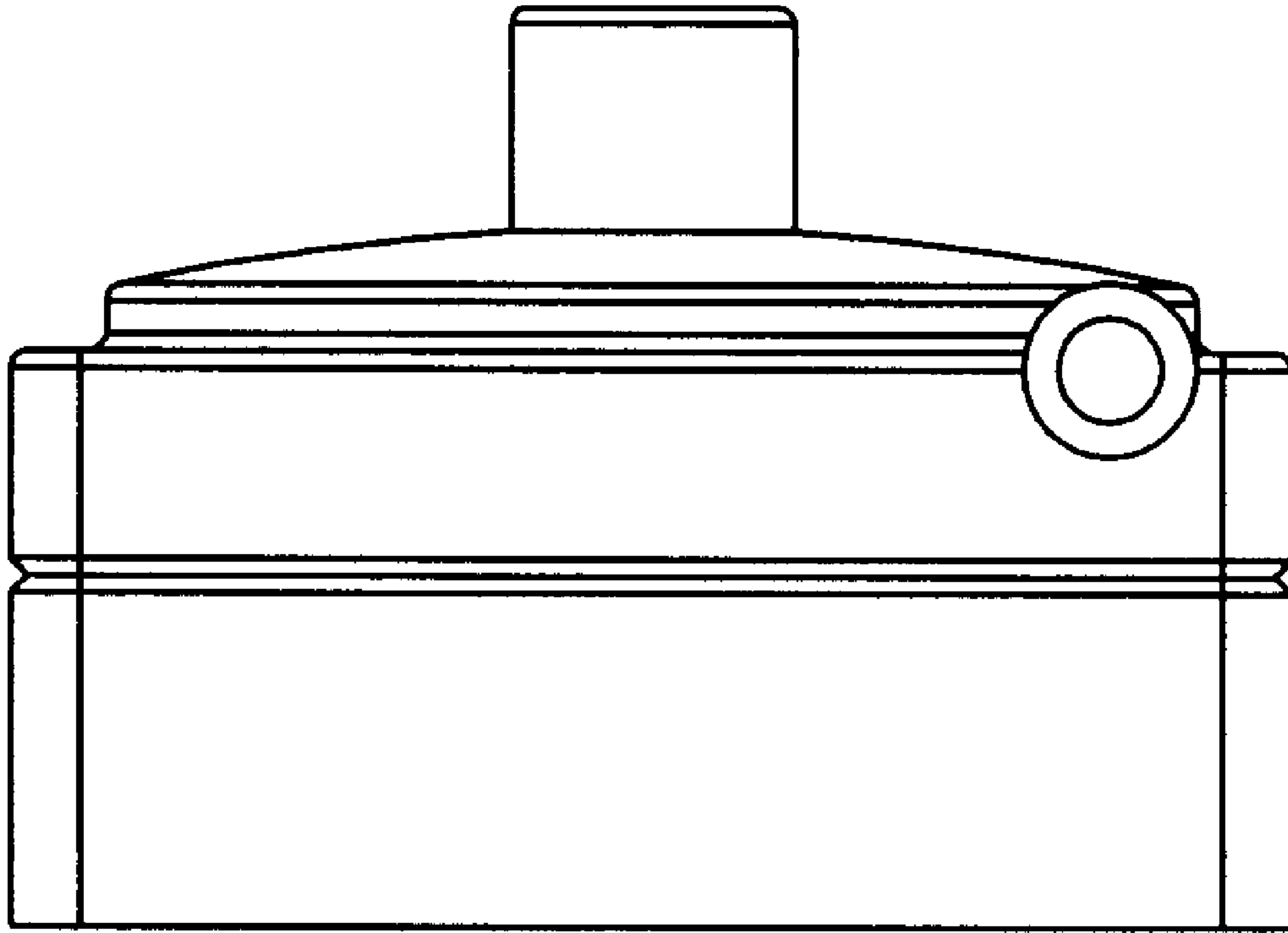


Fig.6

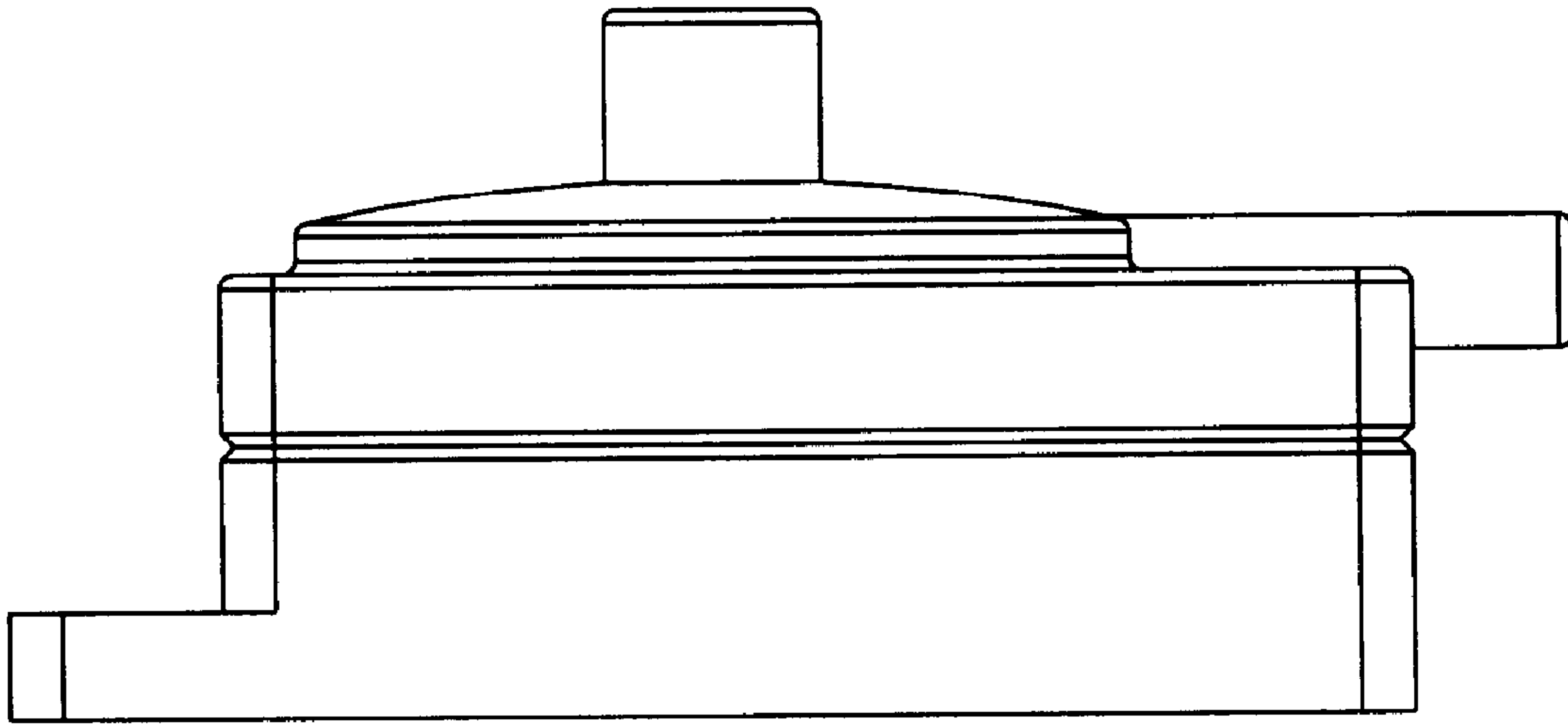


Fig.7