



US00D520023S

(12) **United States Design Patent**
Goto et al.

(10) **Patent No.:** **US D520,023 S**
(45) **Date of Patent:** **** May 2, 2006**

(54) **PUMP**

D492,325 S 6/2004 Niwatsukino et al.
D499,113 S * 11/2004 Murayama et al. D15/7
D504,900 S * 5/2005 Wang D15/7

(75) Inventors: **Nobuyuki Goto**, Fukuoka (JP);
Toshihiko Matsuda, Fukuoka (JP);
Tetsuya Anami, Oonojo (JP)

* cited by examiner

(73) Assignee: **Matsushita Electric Industrial Co., Ltd.**, Osaka (JP)

Primary Examiner—Ralf Seifert
(74) *Attorney, Agent, or Firm*—Brinks Hofer Gilson & Lione

(**) **Term: 14 Years**

(57) **CLAIM**

(21) Appl. No.: **29/217,565**

We claim the ornamental design for a pump, as shown and described.

(22) Filed: **Nov. 18, 2004**

DESCRIPTION

(51) **LOC (8) Cl.** **15-02**

(52) **U.S. Cl.** **D15/7**

(58) **Field of Classification Search** D15/7-9;
D23/231, 232; 417/410.1, 359, 415-416,
417/234, 321, 265, 405; 610/71, 150-153
See application file for complete search history.

FIG. 1 is a top perspective view of a pump of the present invention;
FIG. 2 is a bottom perspective view thereof;
FIG. 3 is first side view thereof;
FIG. 4 is a second side view thereof;
FIG. 5 is a third side view thereof;
FIG. 6 is a fourth side view thereof;
FIG. 7 is a top view thereof; and,
FIG. 8 is a bottom view thereof.

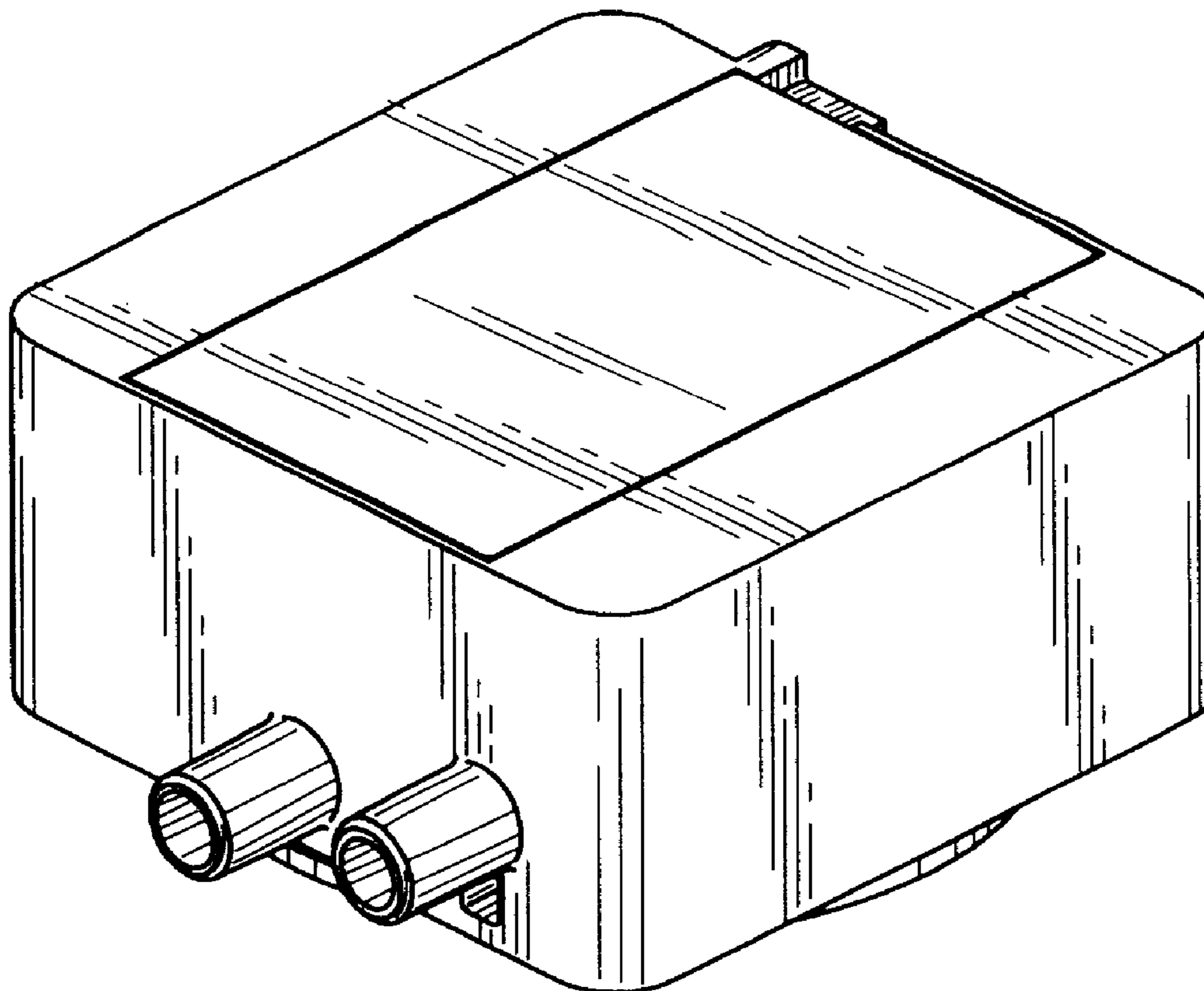
(56) **References Cited**

U.S. PATENT DOCUMENTS

D354,754 S 1/1995 Broughton
D454,885 S * 3/2002 Murayama et al. D15/7
D482,370 S 11/2003 Niwatsukino et al.
D482,698 S 11/2003 Niwatsukino et al.
D483,041 S 12/2003 Niwatsukino et al.
D484,146 S 12/2003 Urano et al.

The ornamental design which is claimed is shown in solid lines in the drawings. Any broken lines in the drawings are for illustrative purposes only and form no part of the claimed design.

1 Claim, 4 Drawing Sheets



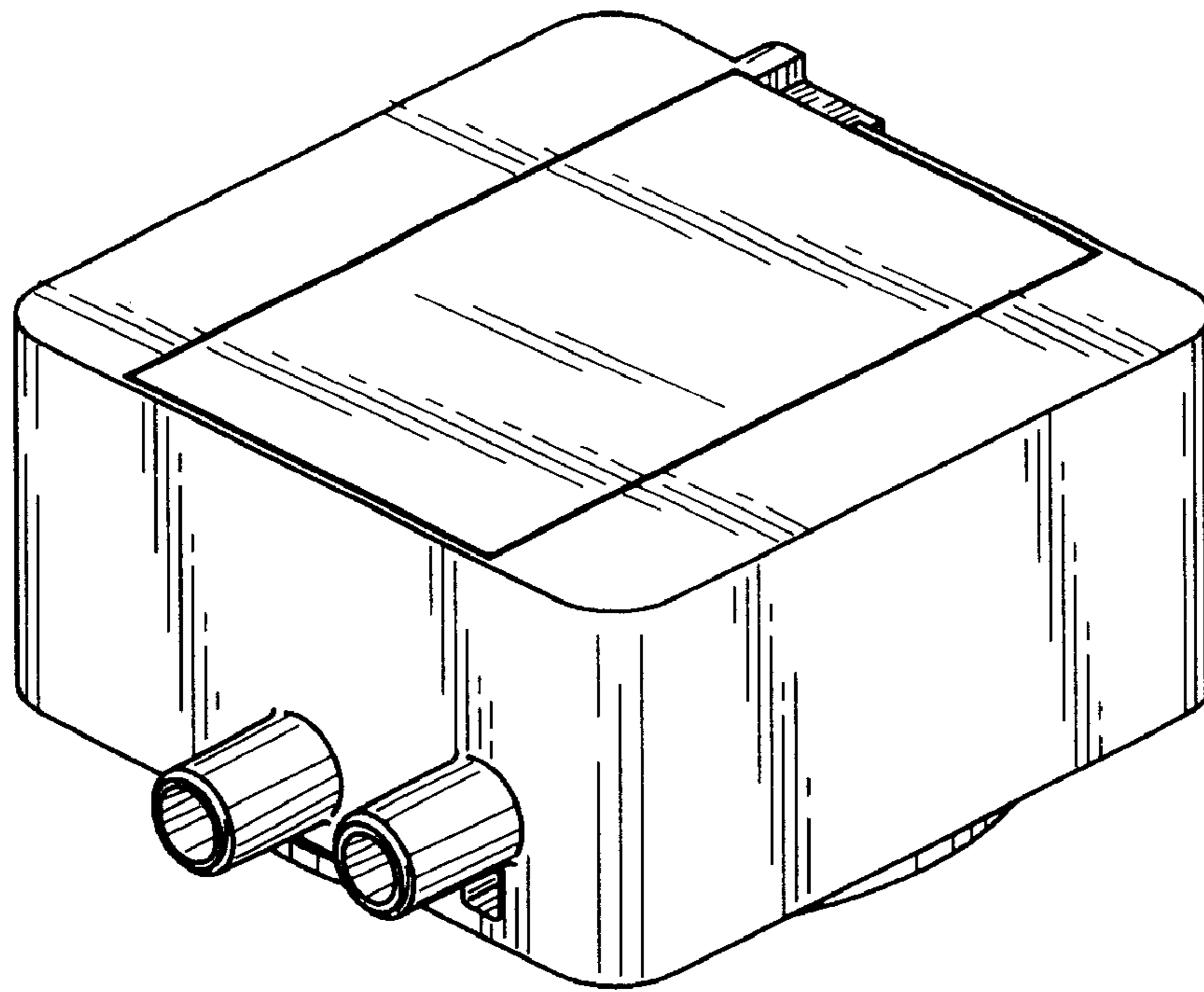


FIG. 1

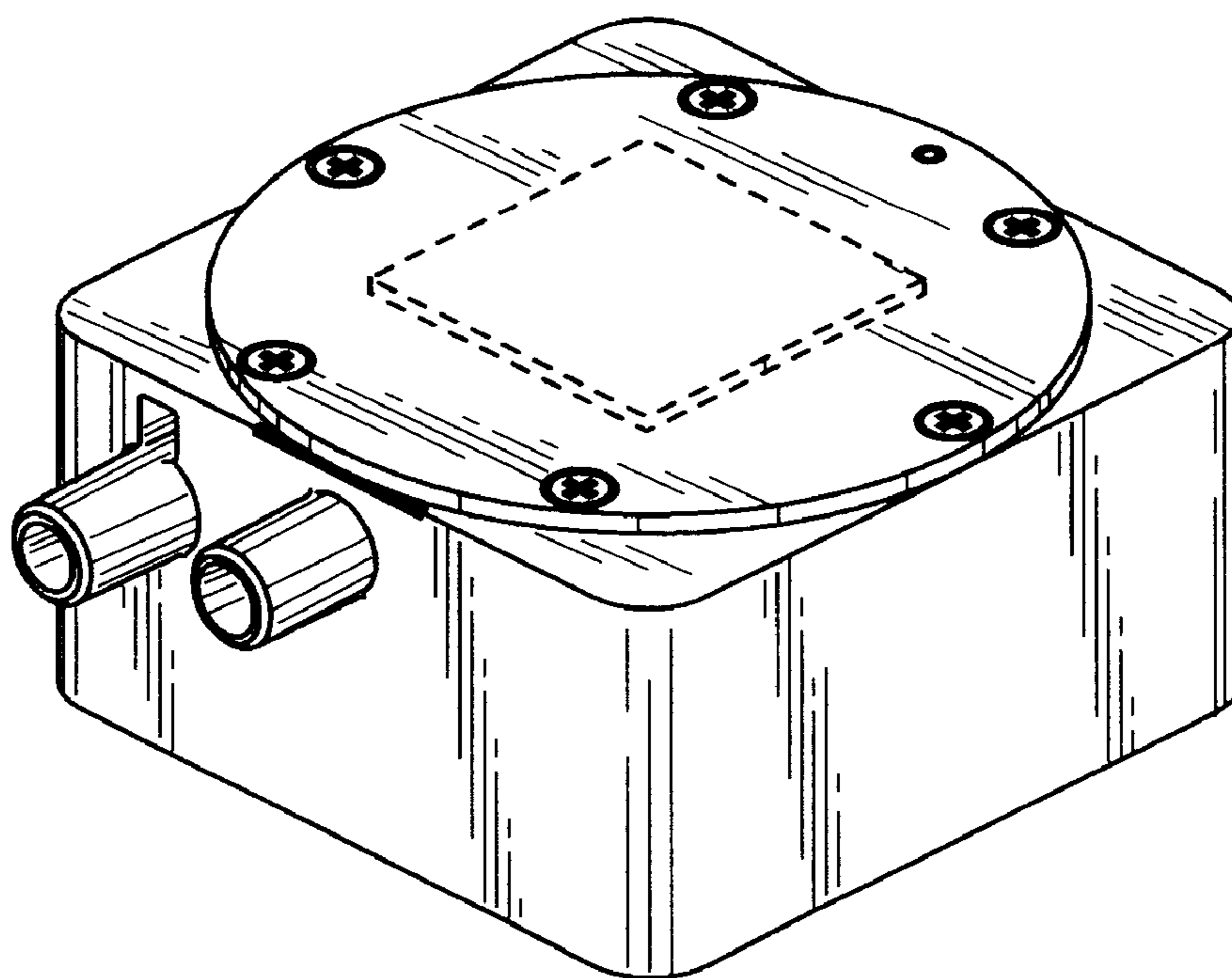


FIG. 2

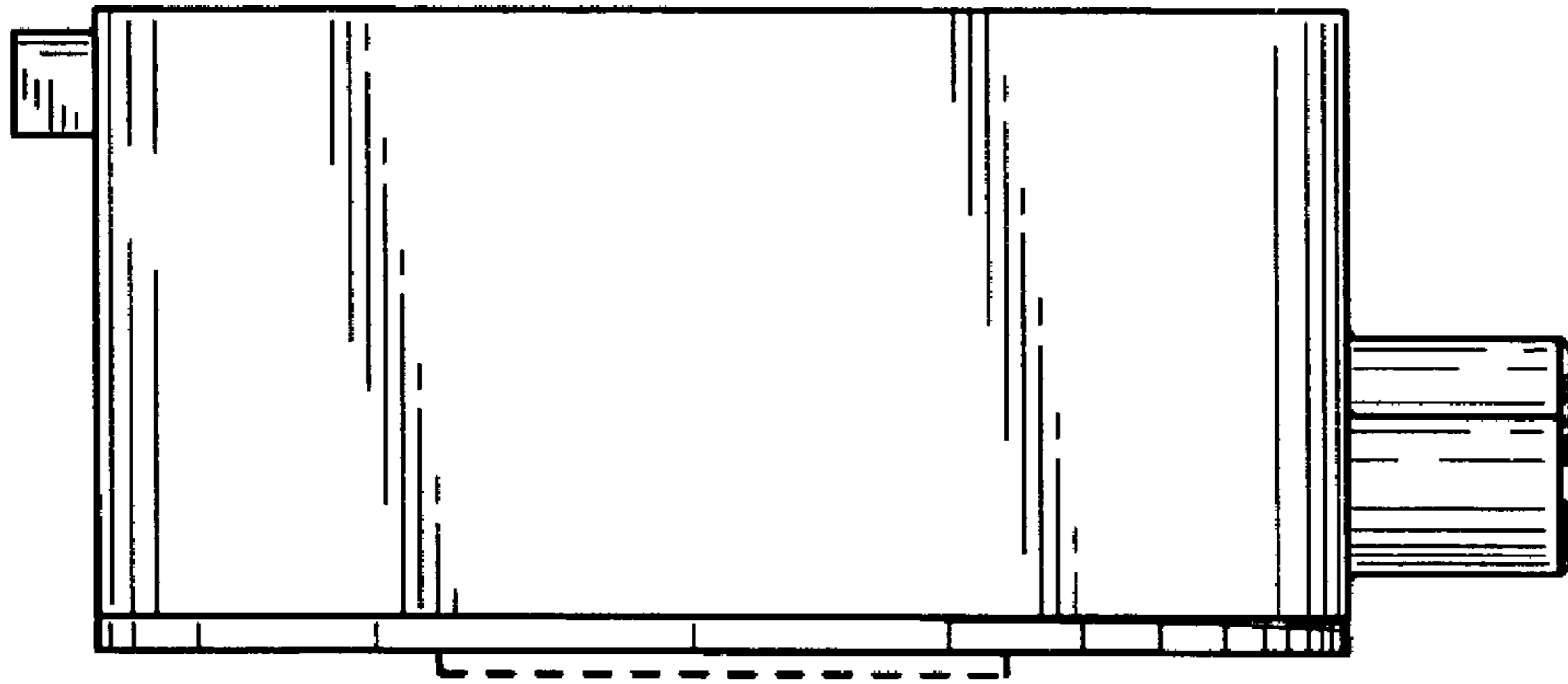


FIG. 3

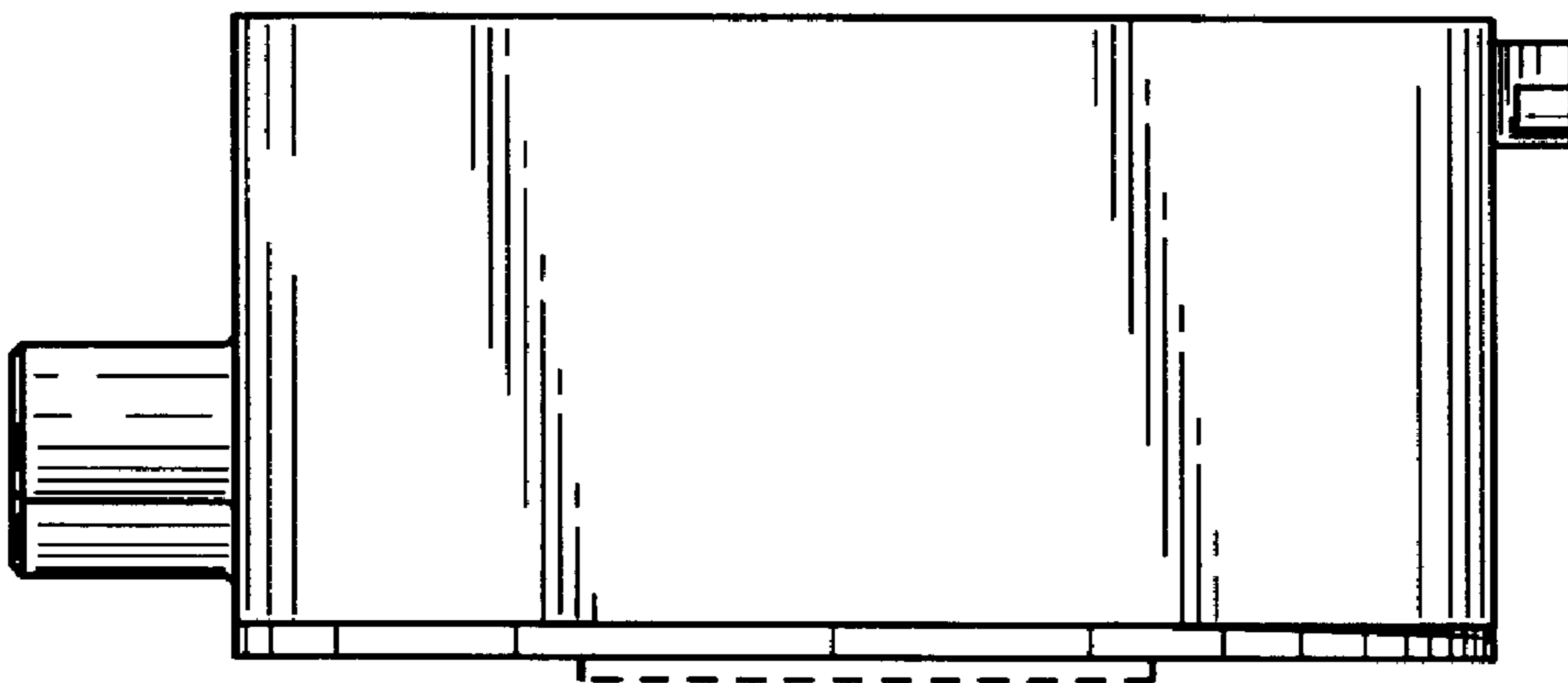


FIG. 4

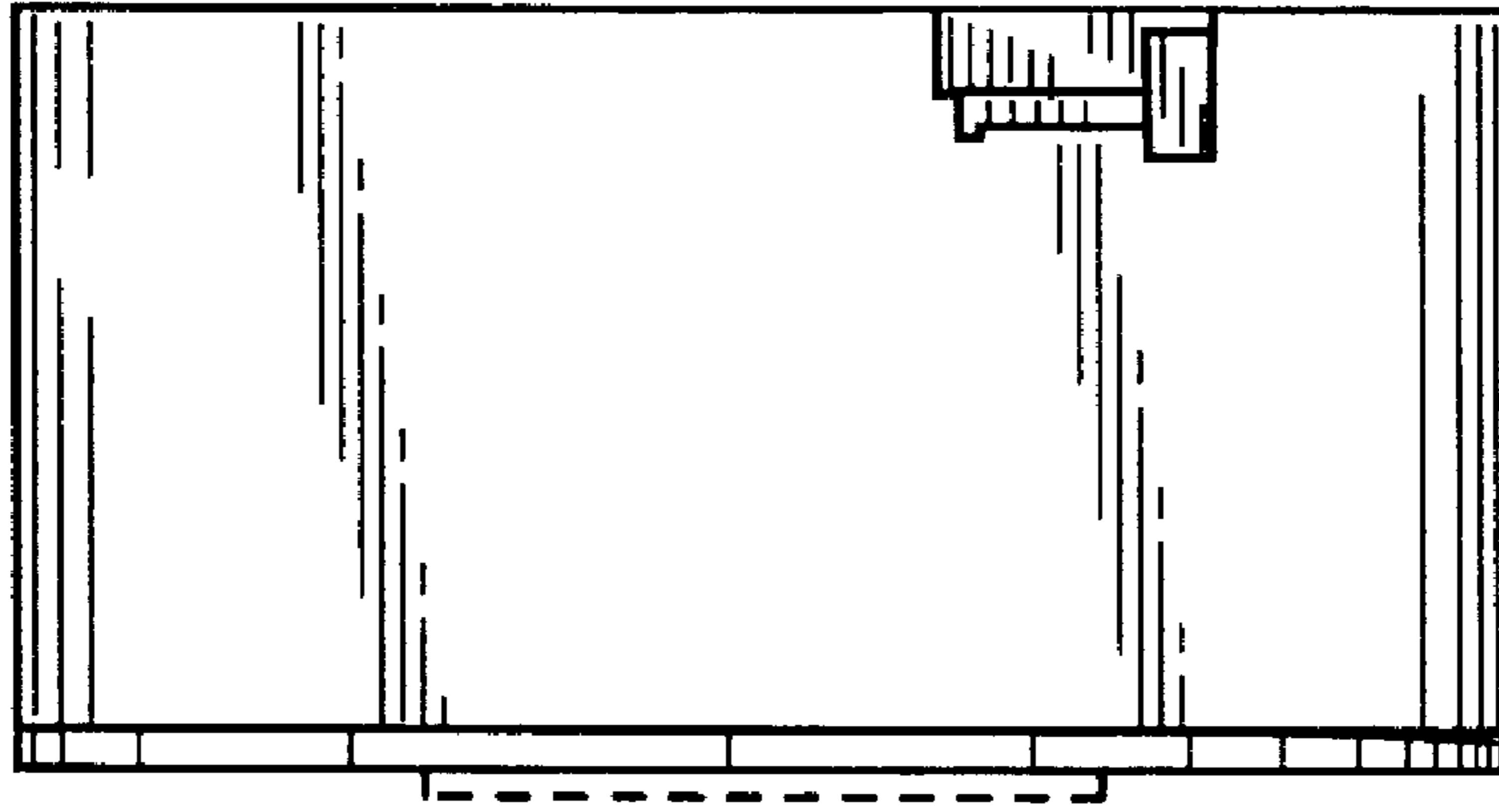


FIG. 5

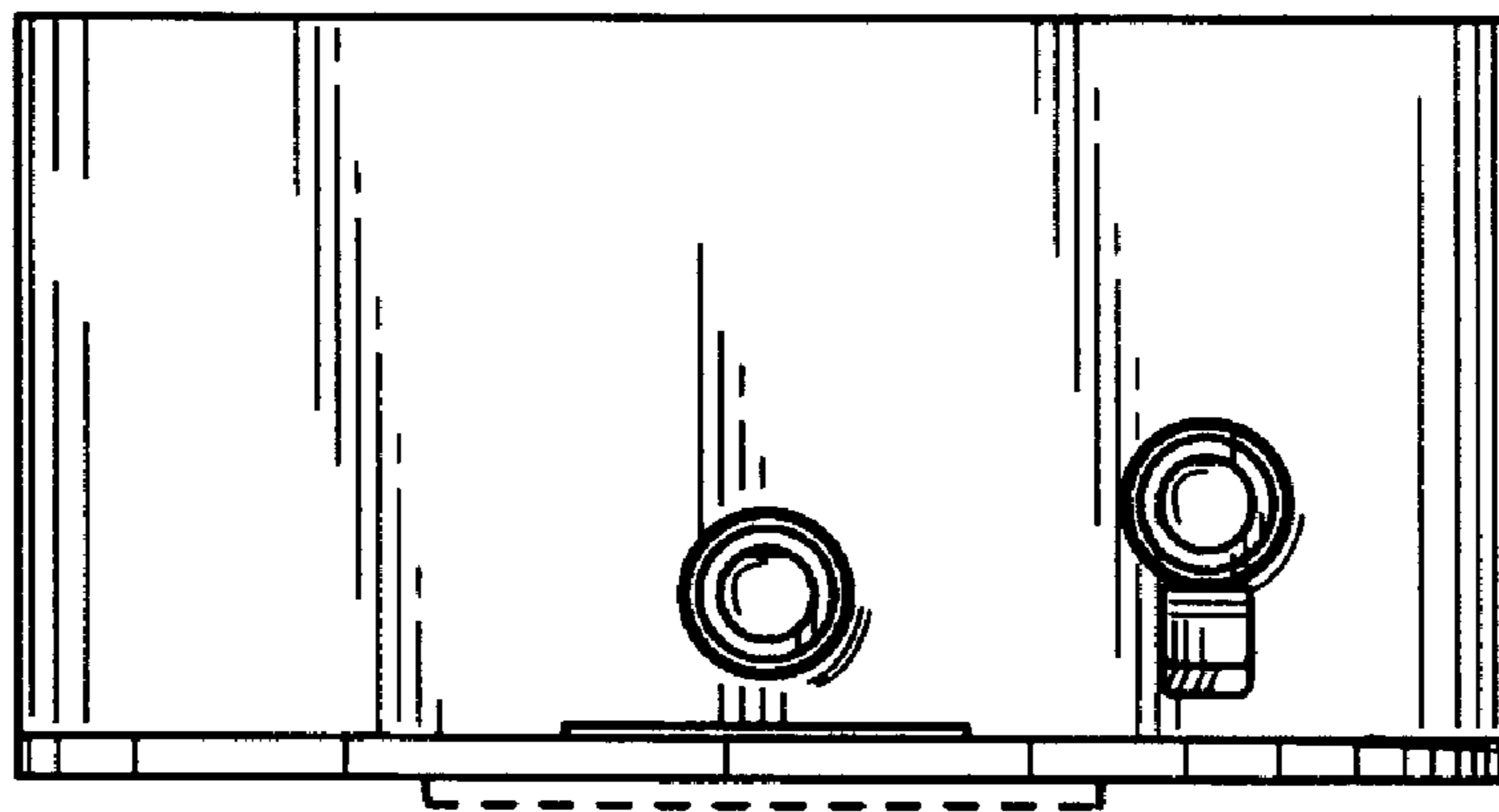


FIG. 6

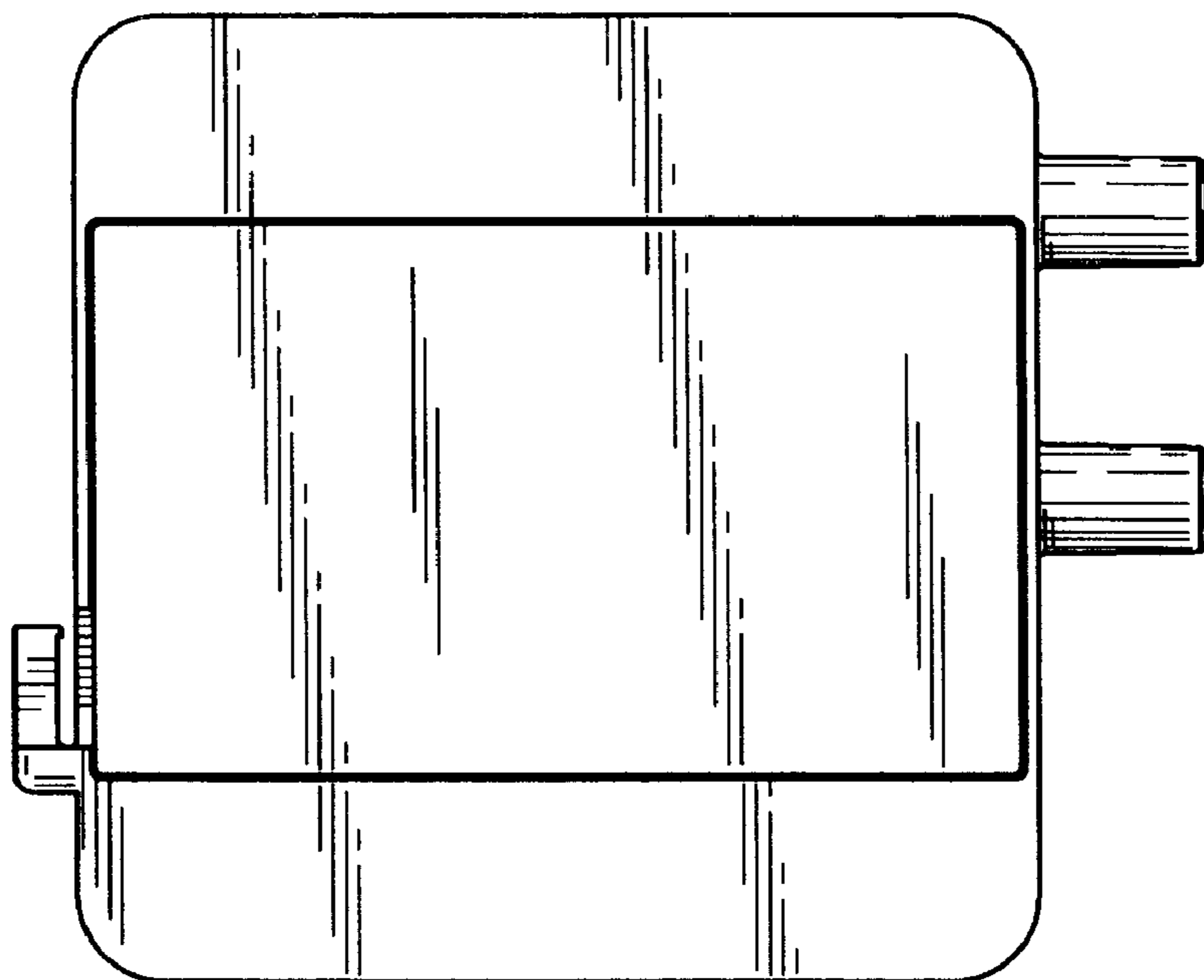


FIG. 7

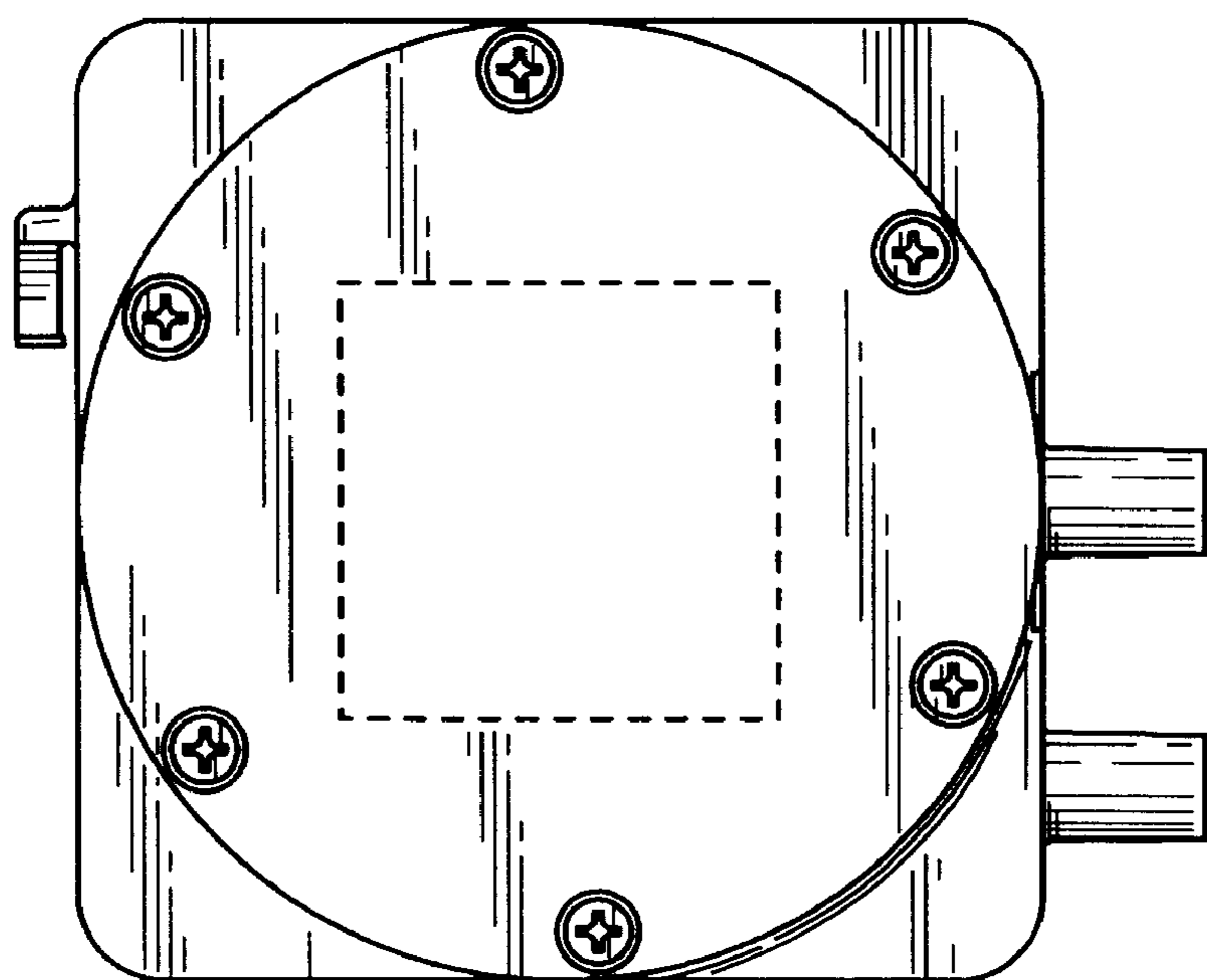


FIG. 8