



US00D520022S

(12) **United States Design Patent**
Nakamura et al.

(10) **Patent No.:** **US D520,022 S**

(45) **Date of Patent:** **** May 2, 2006**

(54) **BRACKET FOR OUTBOARD MOTOR**

(75) Inventors: **Daisuke Nakamura**, Shizuoka-ken (JP); **Isao Fujii**, Shizuoka-ken (JP); **Takashi Okajima**, Shizuoka-ken (JP)

(73) Assignee: **Yamaha Marine Kabushiki Kaisha** (JP)

(**) Term: **14 Years**

(21) Appl. No.: **29/220,097**

(22) Filed: **Dec. 23, 2004**

(51) **LOC (8) Cl.** **15-01**

(52) **U.S. Cl.** **D15/4**

(58) **Field of Classification Search** D15/1-5;
D12/300, 317; D8/349, 354, 363, 373, 380;
248/640-643, 351, 352, 354.4, 637, 503,
248/300; 440/49-50, 62, 52-53, 64, 55-56,
440/58, 3-4, 6-7, 111, 900; 290/42, 46, 54
See application file for complete search history.

(56) **References Cited**

U.S. PATENT DOCUMENTS

D272,356 S * 1/1984 Hall et al. D15/4
D274,909 S * 7/1984 Ferguson et al. D15/4
D275,289 S * 8/1984 Ferguson et al. D15/4
D289,296 S * 4/1987 Mahoney D15/4
D292,391 S * 10/1987 Schlesch D12/317

D297,013 S * 8/1988 McGuire D15/4
D323,509 S * 1/1992 Dimmitt D15/4
D330,898 S * 11/1992 Capra D15/4
D332,264 S * 1/1993 Pellegrino D15/4

* cited by examiner

Primary Examiner—Caron D. Veynar

Assistant Examiner—Maurice Stevens

(74) *Attorney, Agent, or Firm*—Ostrolenk, Faber, Gerb & Soffen, LLP

(57) **CLAIM**

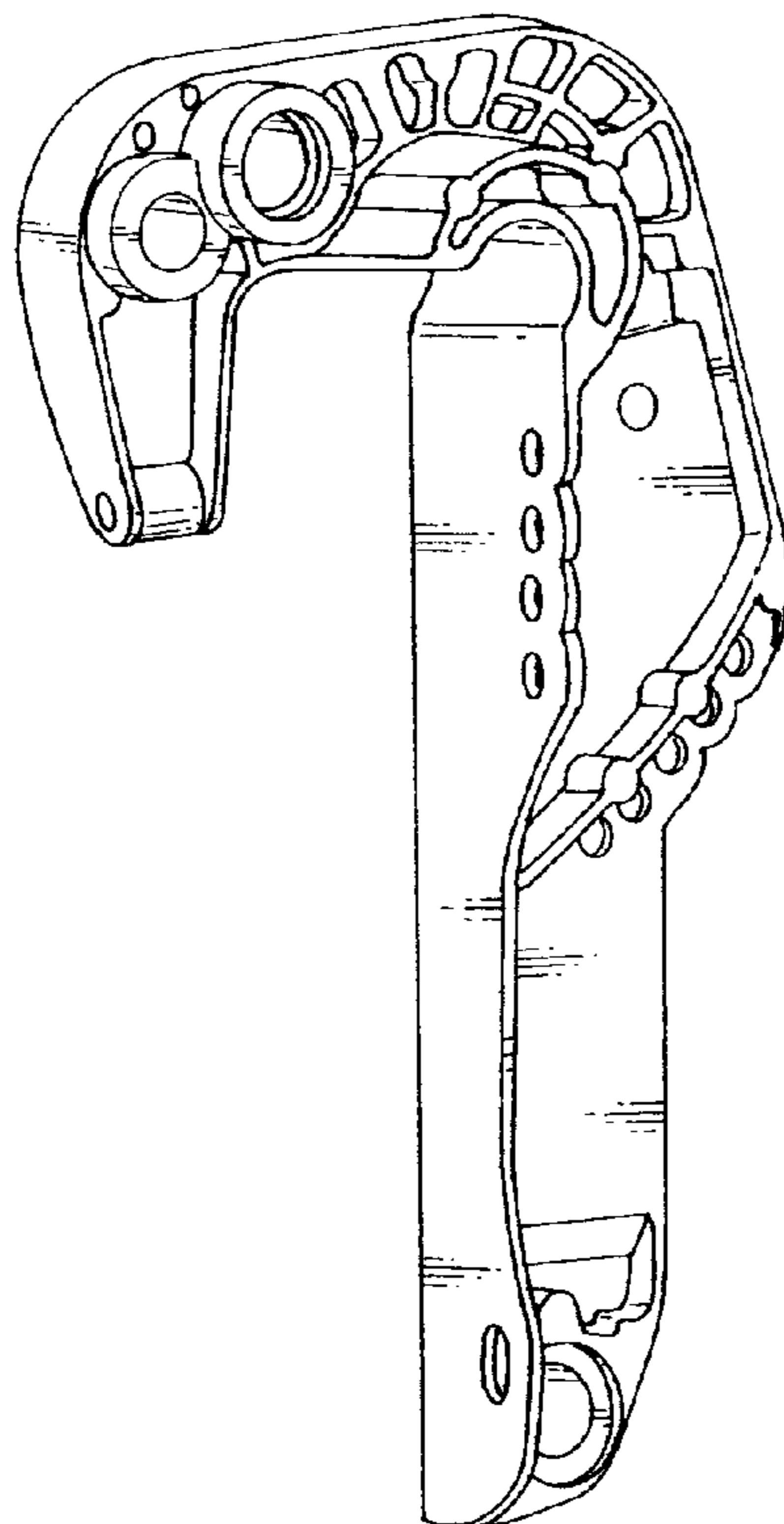
The ornamental design for a bracket for outboard motor, as shown and described.

DESCRIPTION

FIG. 1 is a front view of a bracket for outboard motor showing our new design;
FIG. 2 is a rear view thereof;
FIG. 3 is a left side view thereof;
FIG. 4 is a right side view thereof;
FIG. 5 is a plan view thereof;
FIG. 6 is a bottom view thereof;
FIG. 7 is a front and side perspective view;
FIG. 8 is a rear and side perspective view; and,
FIG. 9 is a view thereof in one application.

The broken line showing of environmental structure is for illustrative purposes only and forms no part of the claimed design.

1 Claim, 8 Drawing Sheets



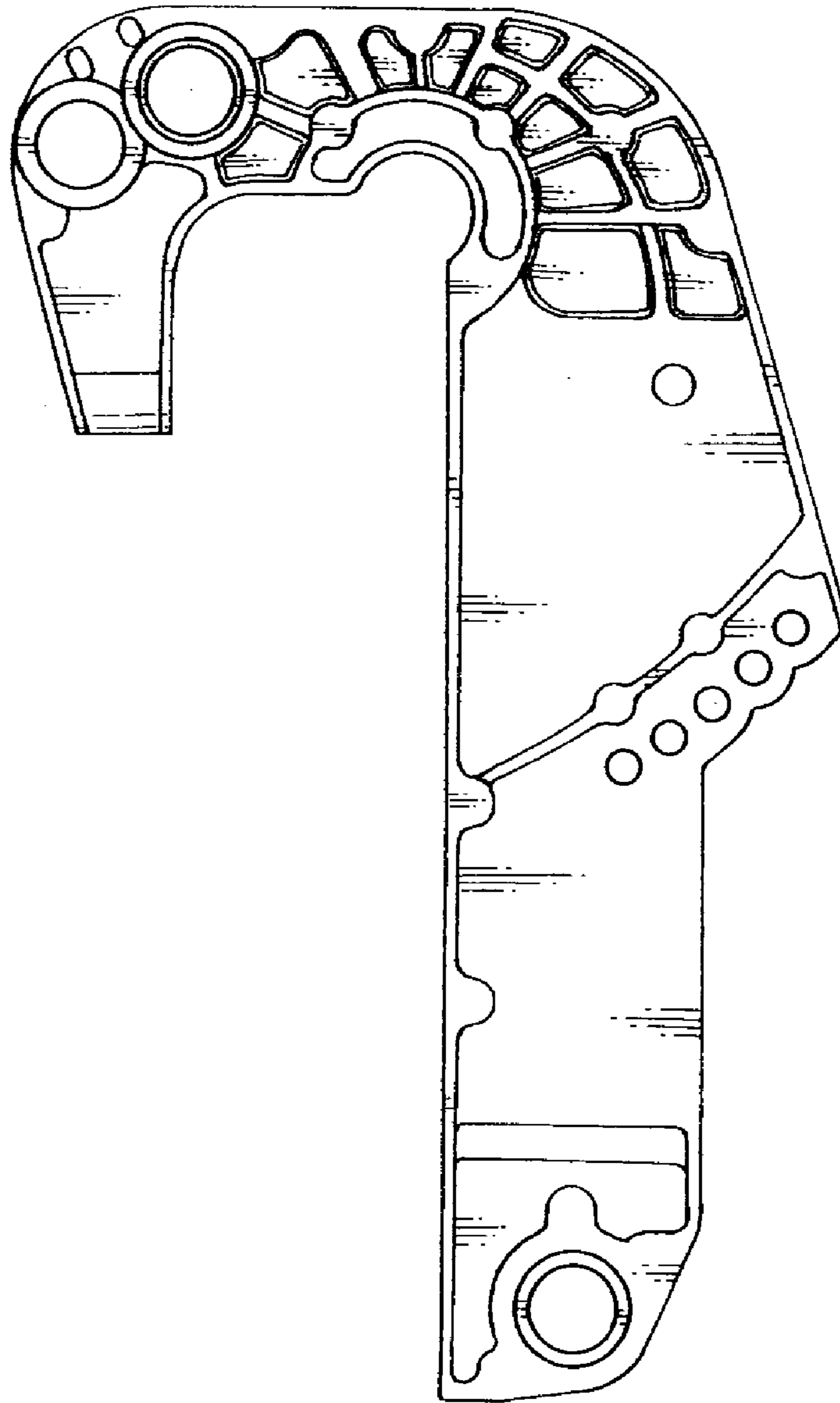


FIG. 1

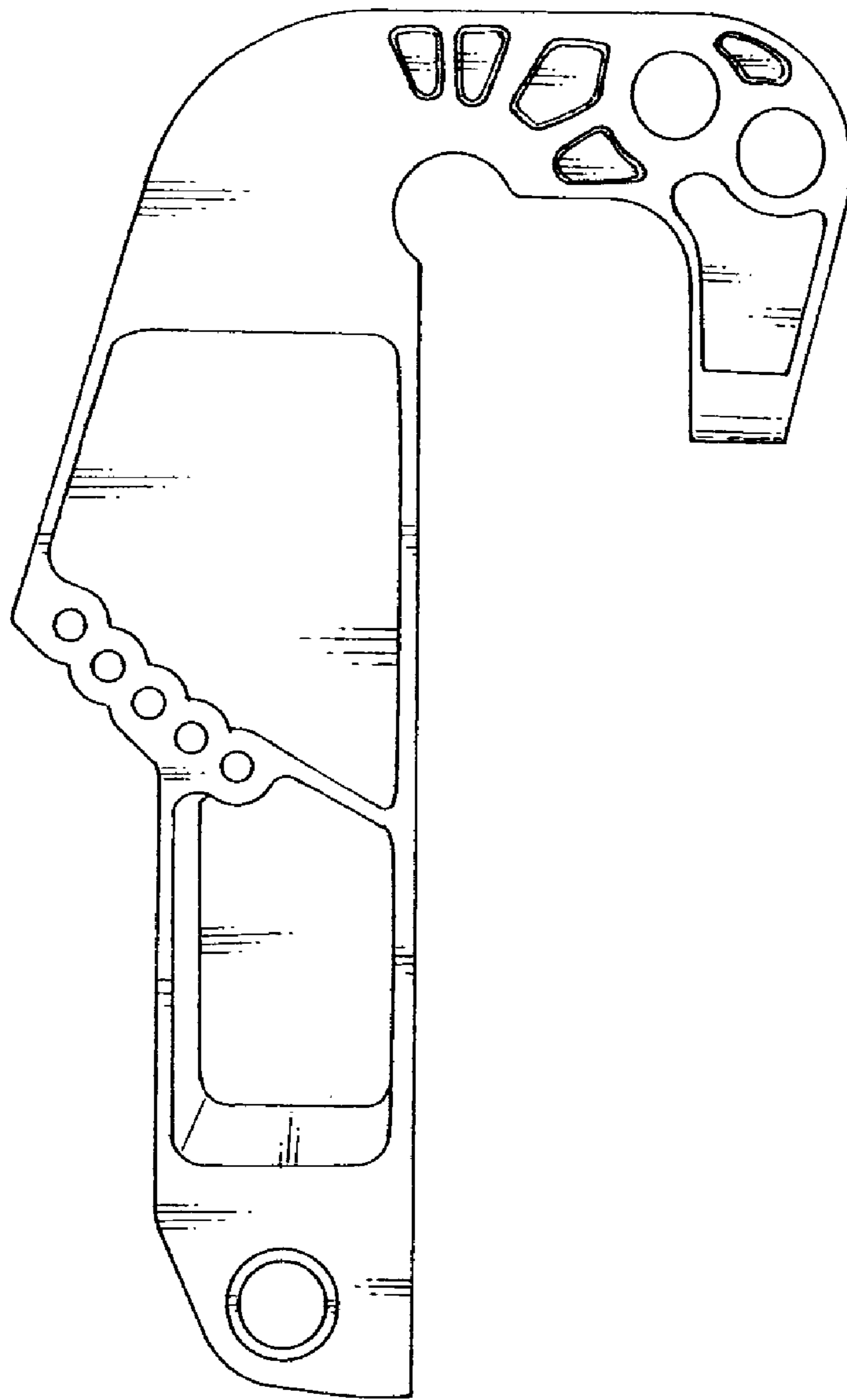


FIG. 2

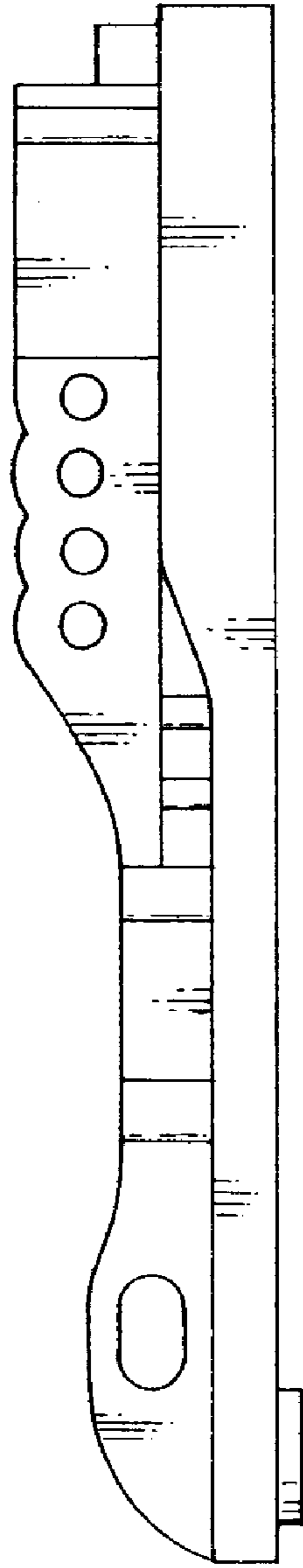


FIG. 3

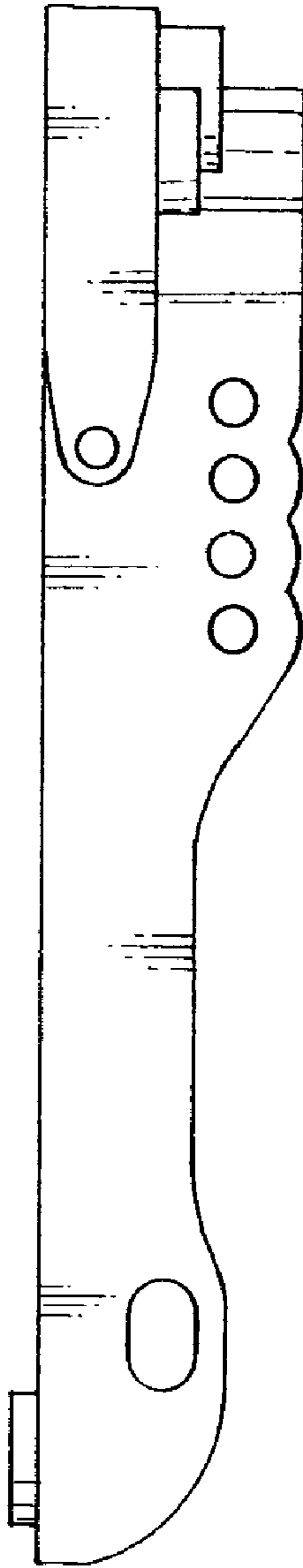


FIG. 4

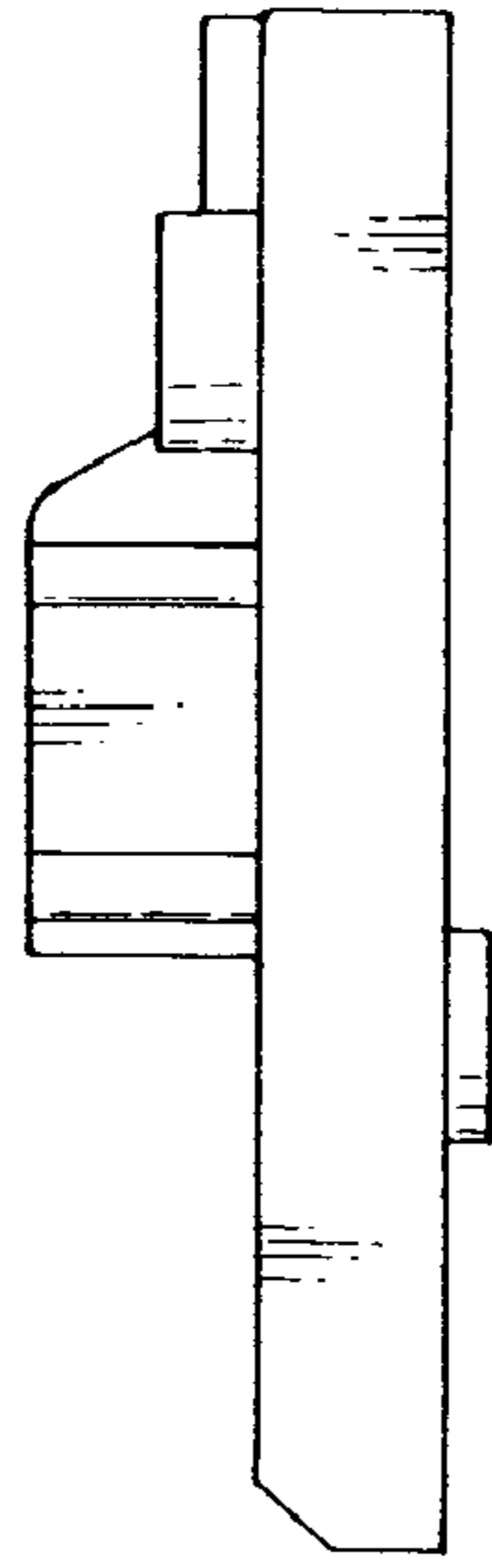


FIG. 6

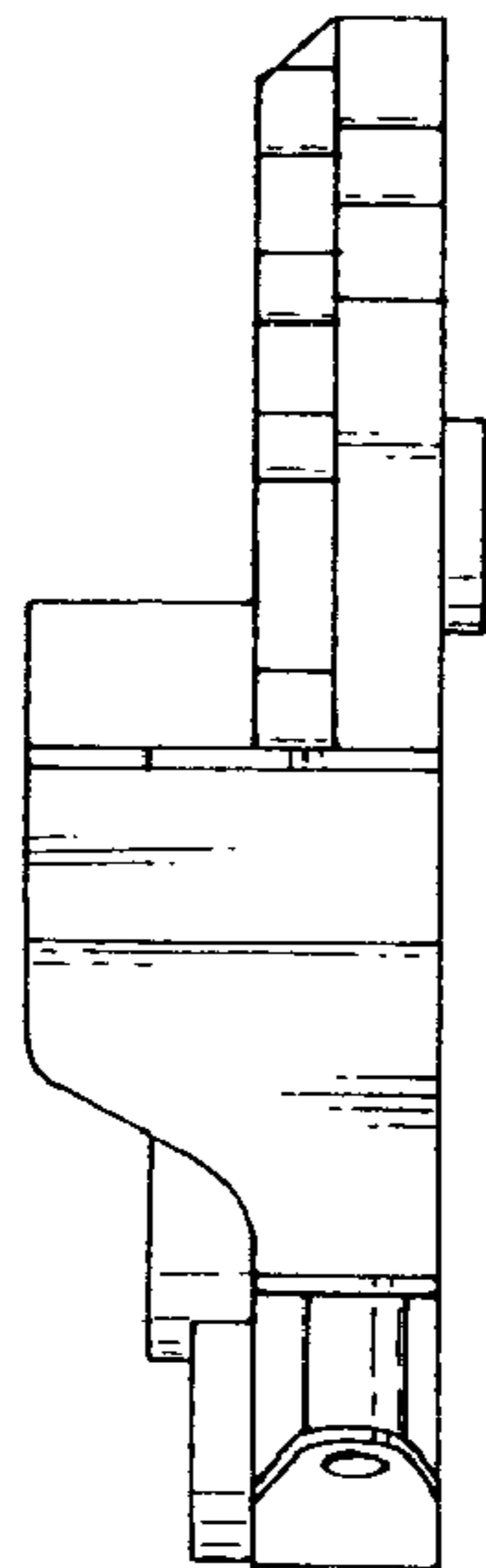


FIG. 5

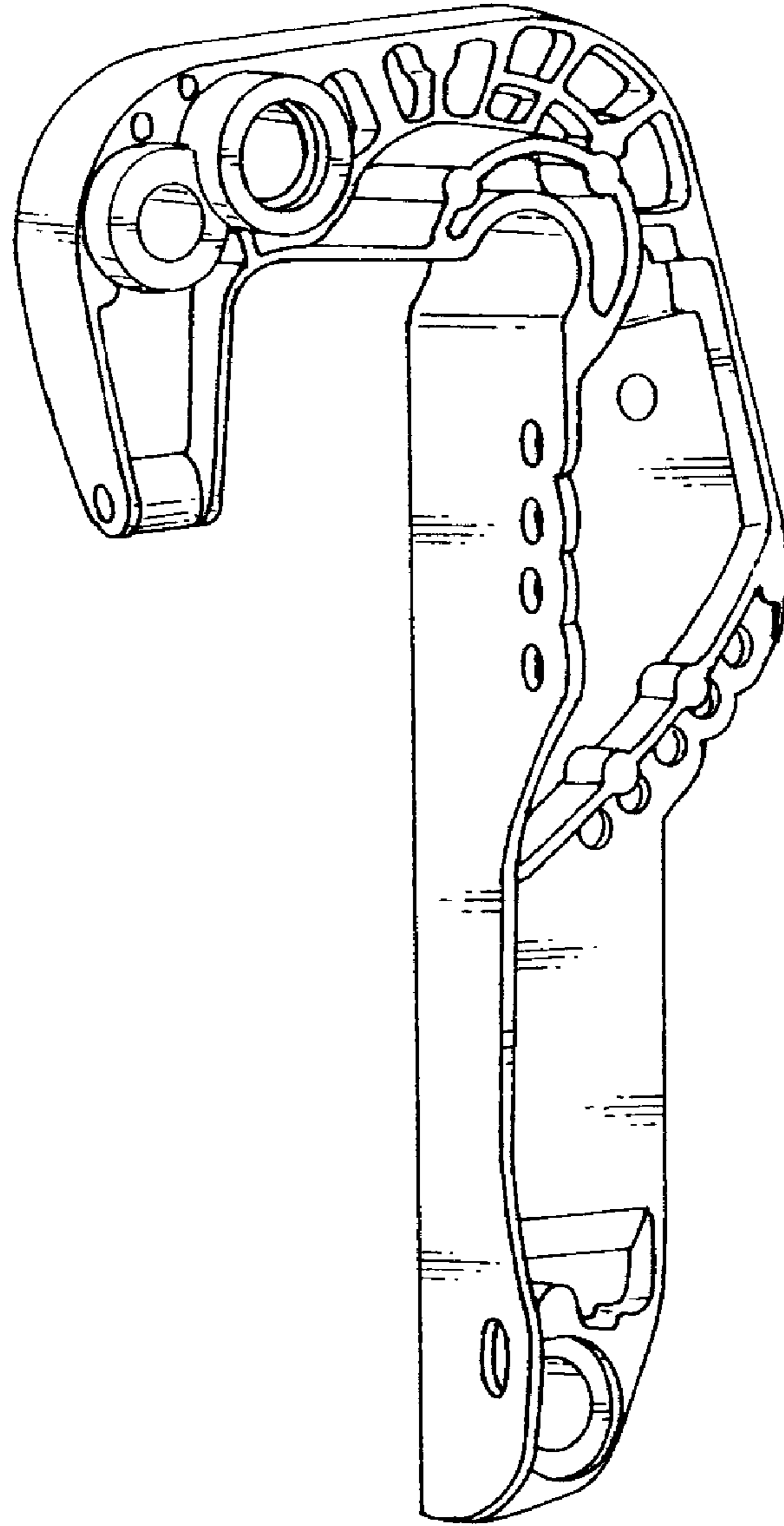


FIG. 7

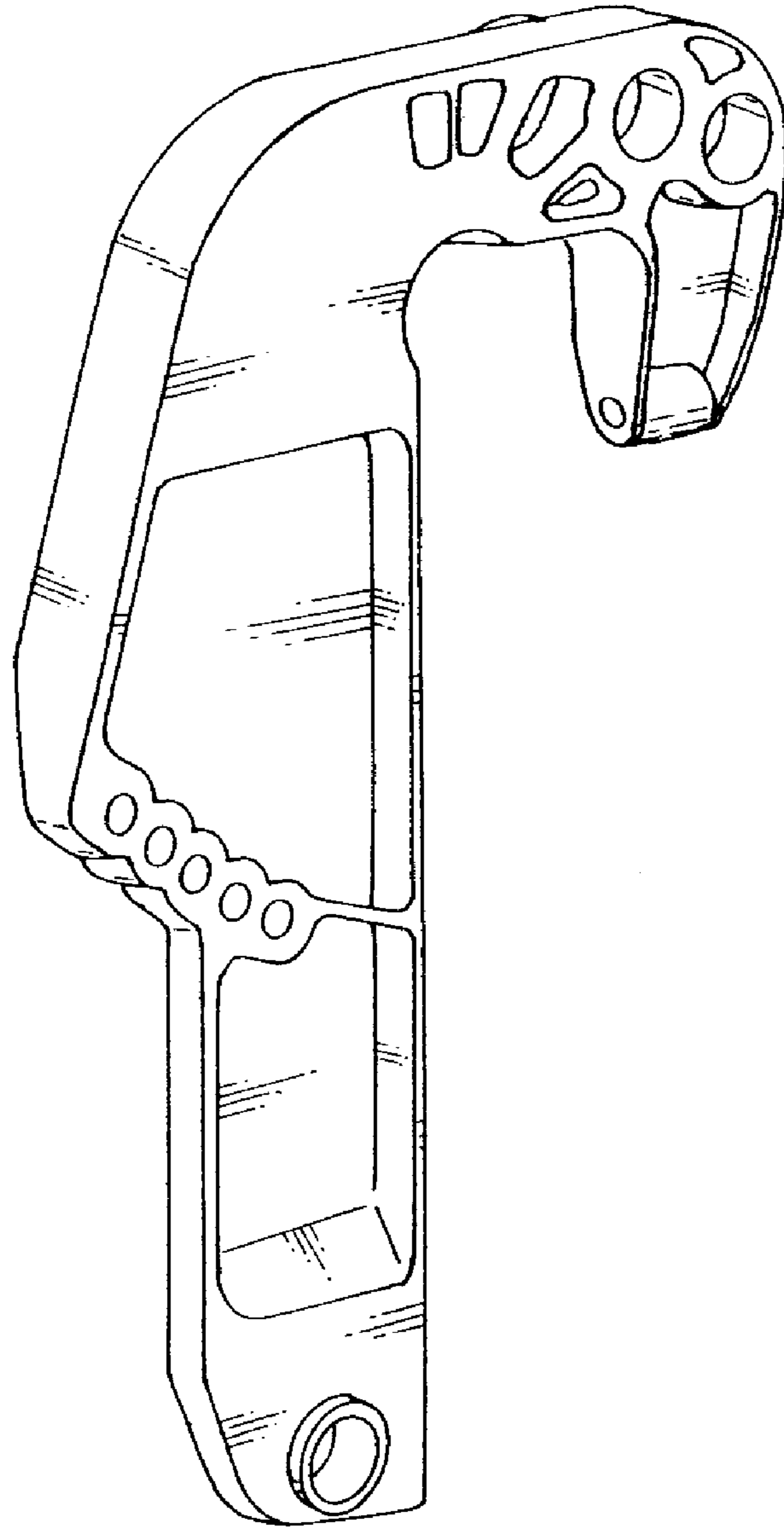


FIG. 8

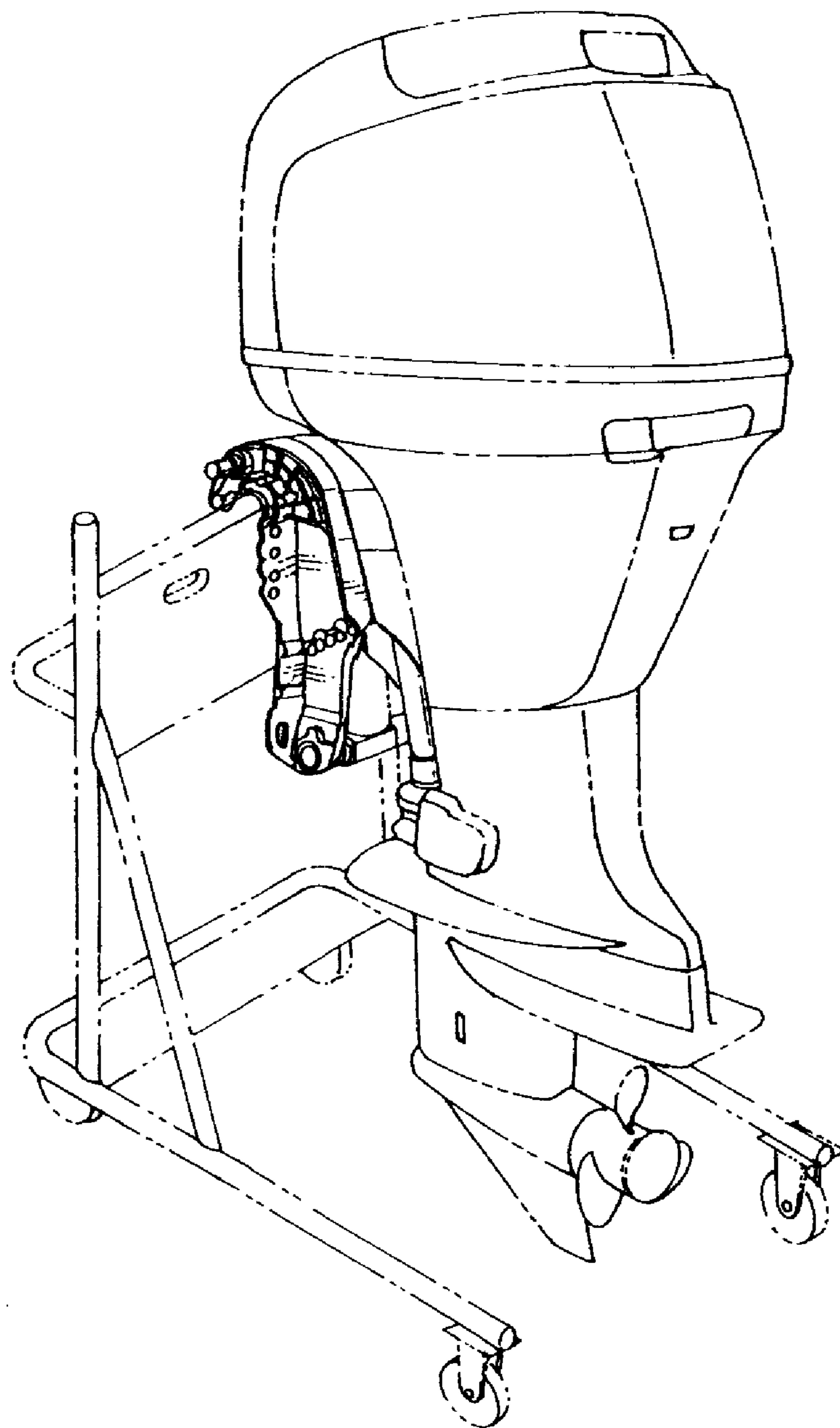


FIG. 9