



US00D520021S

(12) **United States Design Patent**  
**Nakamura et al.**

(10) **Patent No.:** **US D520,021 S**

(45) **Date of Patent:** **\*\* May 2, 2006**

(54) **BRACKET FOR OUTBOARD MOTOR**

(75) Inventors: **Daisuke Nakamura**, Shizuoka-ken (JP); **Isao Fujii**, Shizuoka-ken (JP); **Takashi Okajima**, Shizuoka-ken (JP)

(73) Assignee: **Yamaha Marine Kabushiki Kaisha** (JP)

(\*\*) Term: **14 Years**

(21) Appl. No.: **29/219,891**

(22) Filed: **Dec. 23, 2004**

(51) **LOC (8) Cl.** ..... **15-01**

(52) **U.S. Cl.** ..... **D15/4**

(58) **Field of Classification Search** ..... D15/1-5;  
D12/300, 317; D8/349, 354, 363, 373, 380;  
248/640-643, 351, 352, 354.4, 637, 503,  
248/300; 440/49-50, 62, 52-53, 64, 55-56,  
440/58, 3-4, 6-7, 111, 900; 290/42, 46, 54  
See application file for complete search history.

(56) **References Cited**

**U.S. PATENT DOCUMENTS**

D272,356 S \* 1/1984 Hall et al. .... D15/4  
D274,909 S \* 7/1984 Ferguson et al. .... D15/4  
D275,289 S \* 8/1984 Ferguson et al. .... D15/4  
D289,296 S \* 4/1987 Mahoney ..... D15/4  
D292,391 S \* 10/1987 Schlesch ..... D12/317

D297,013 S \* 8/1988 McGuire ..... D15/4  
D323,509 S \* 1/1992 Dimmitt ..... D15/4  
D330,898 S \* 11/1992 Capra ..... D15/4  
D332,264 S \* 1/1993 Pellegrino ..... D15/4

\* cited by examiner

*Primary Examiner*—Caron D. Veynar

*Assistant Examiner*—Maurice Stevens

(74) *Attorney, Agent, or Firm*—Ostrolenk, Faber, Gerb & Soffen, LLP

(57) **CLAIM**

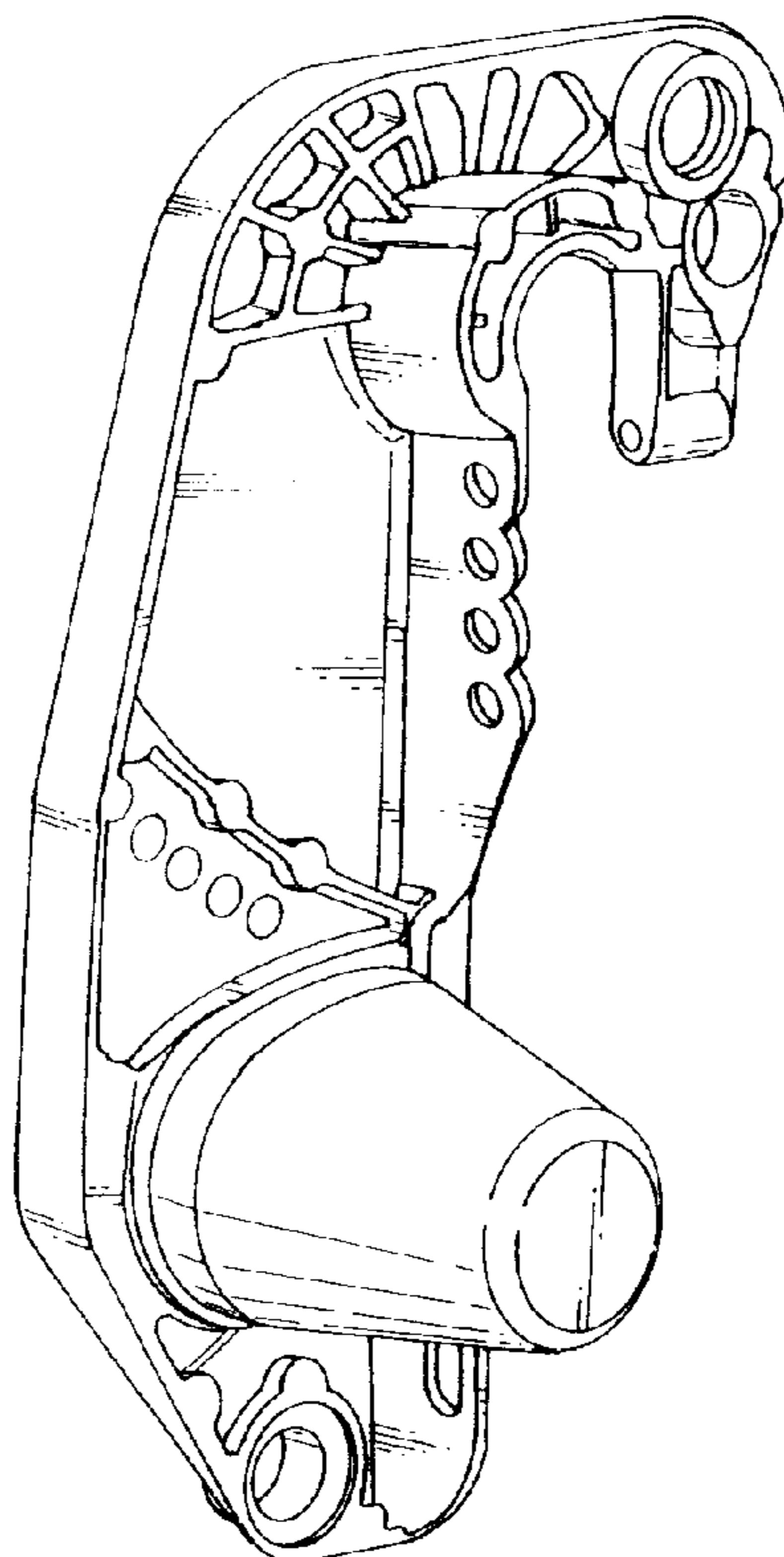
The ornamental design for a bracket for outboard motor, as shown and described.

**DESCRIPTION**

FIG. 1 is a front view of a bracket for outboard motor showing our new design;  
FIG. 2 is a rear view thereof;  
FIG. 3 is a left side view thereof;  
FIG. 4 is a right side view thereof;  
FIG. 5 is a plan view thereof;  
FIG. 6 is a bottom view thereof;  
FIG. 7 is a front and side perspective view;  
FIG. 8 is a rear and side perspective view; and,  
FIG. 9 is a view thereof in one application.

The broken line showing of environmental structure is for illustrative purposes only and forms no part of the claimed design.

**1 Claim, 8 Drawing Sheets**



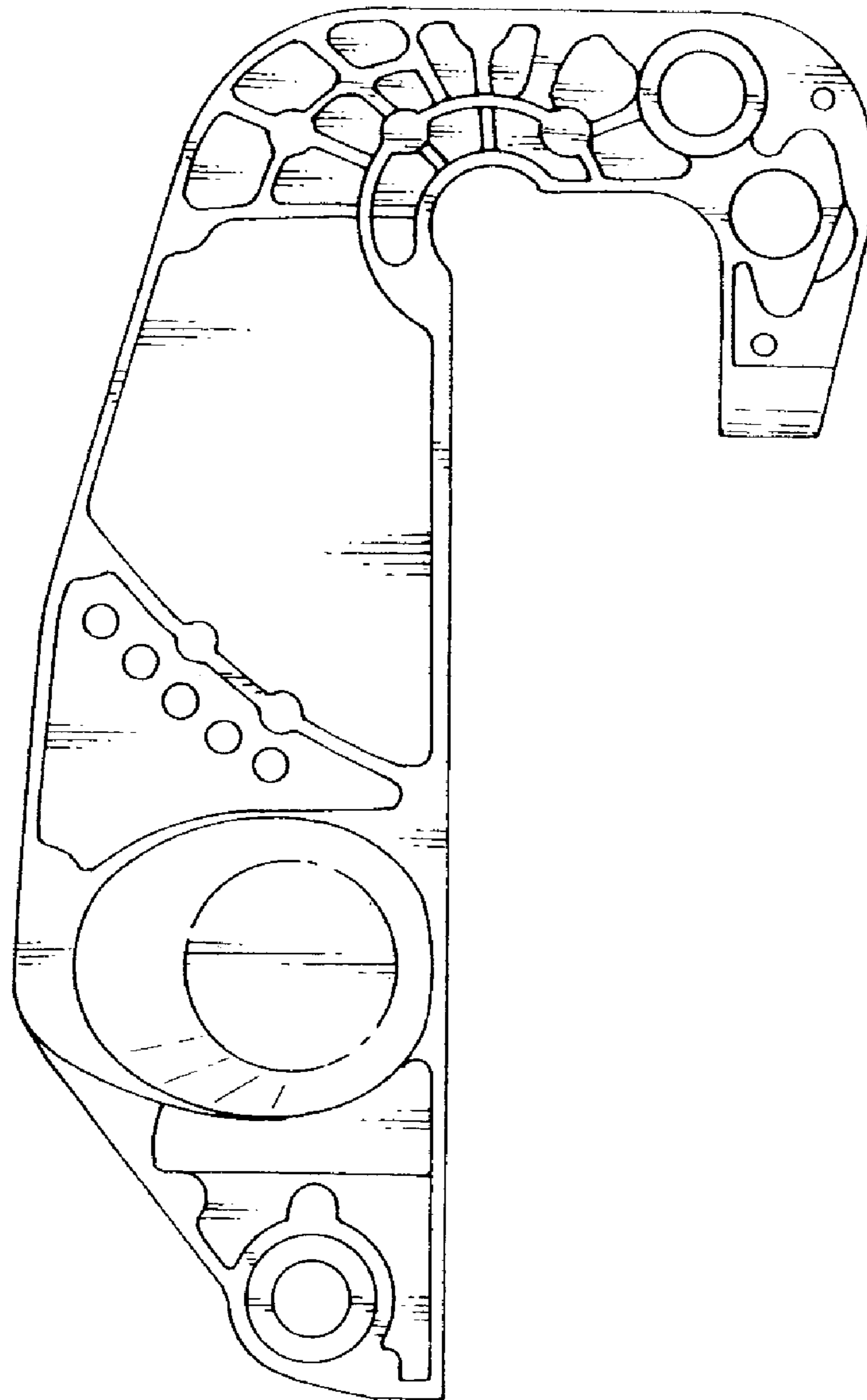


FIG. 1

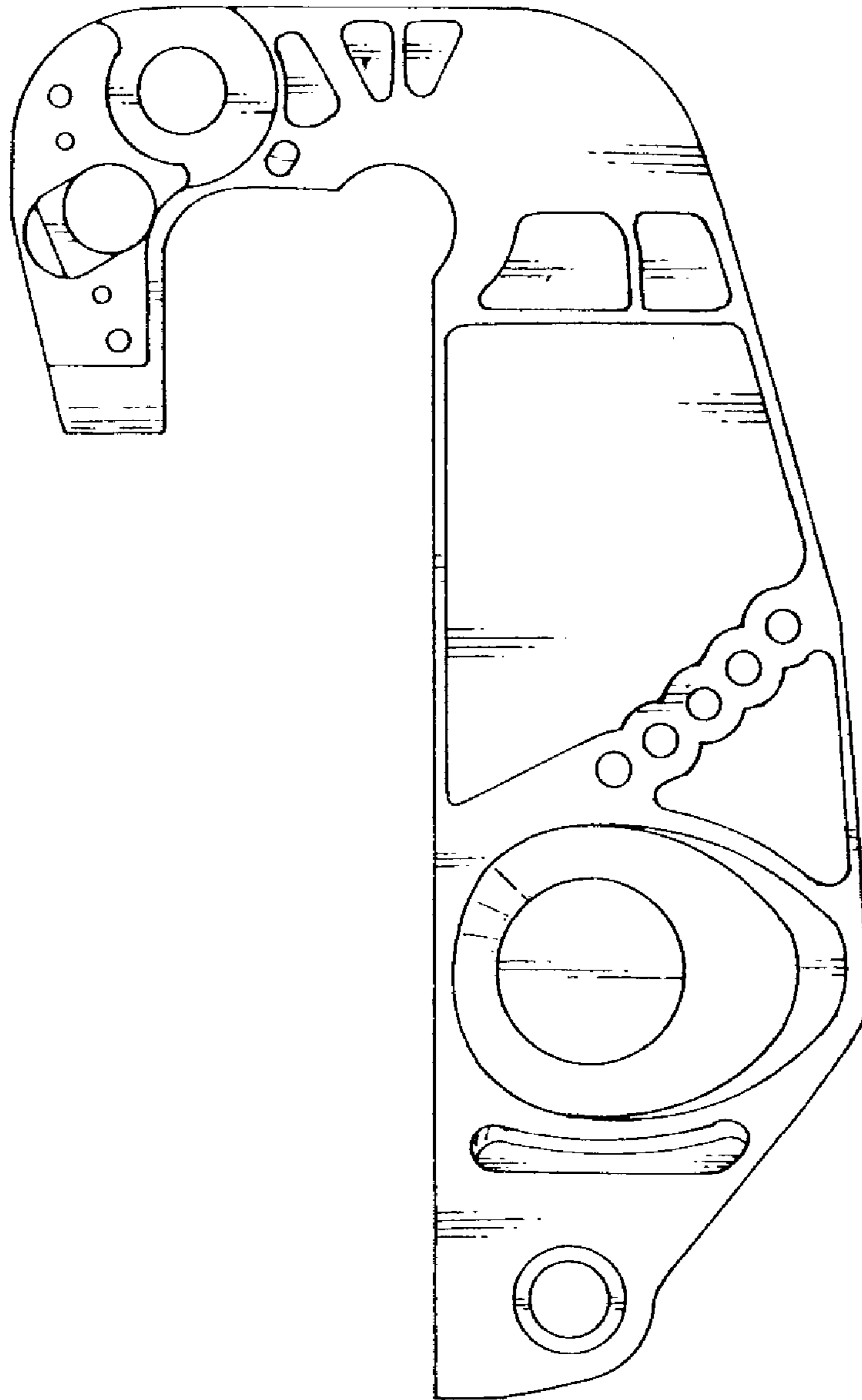


FIG. 2

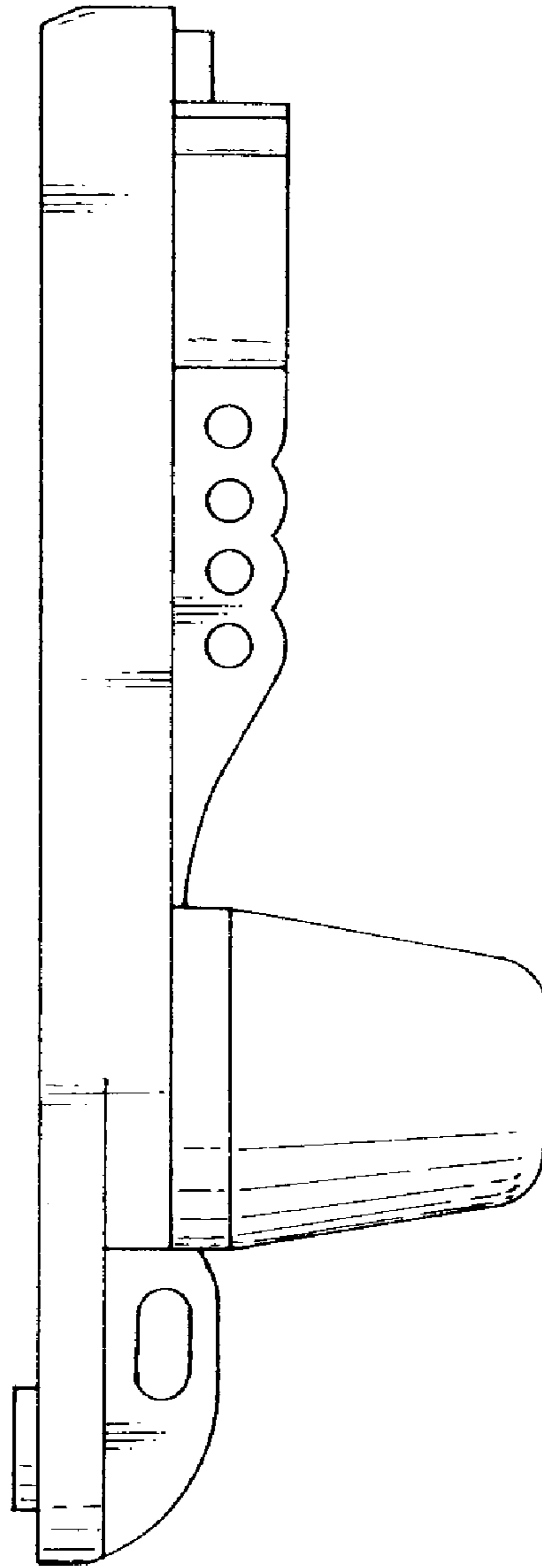


FIG. 3

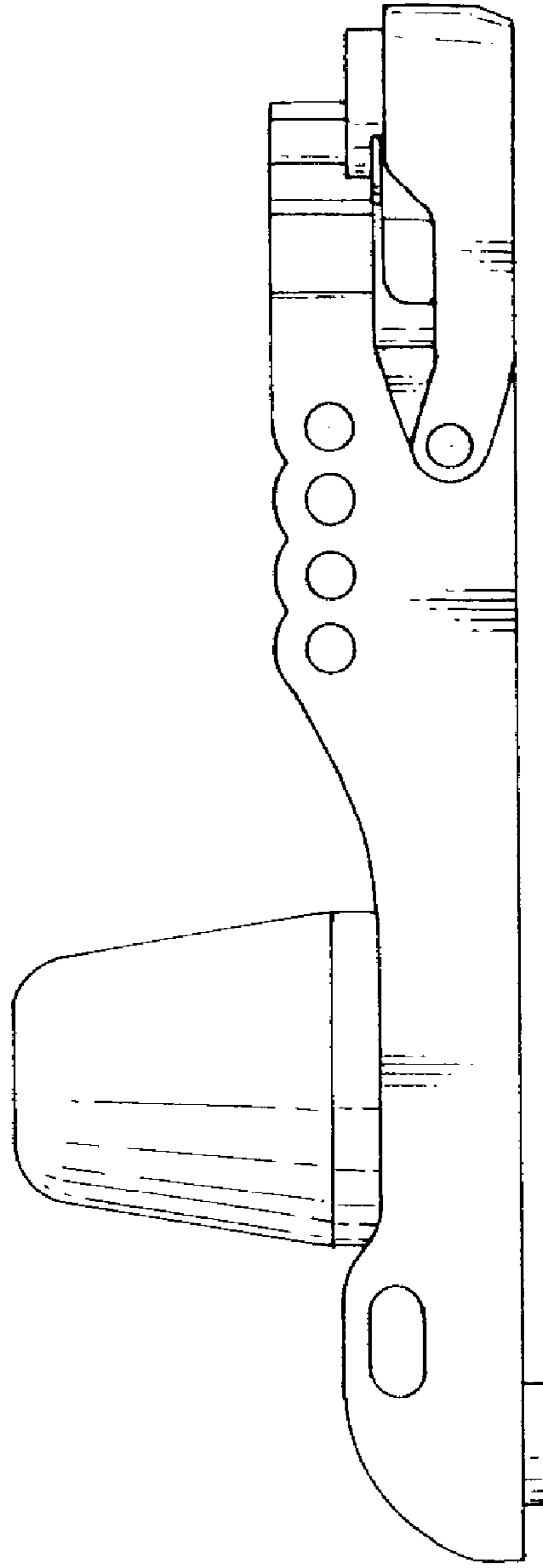


FIG. 4

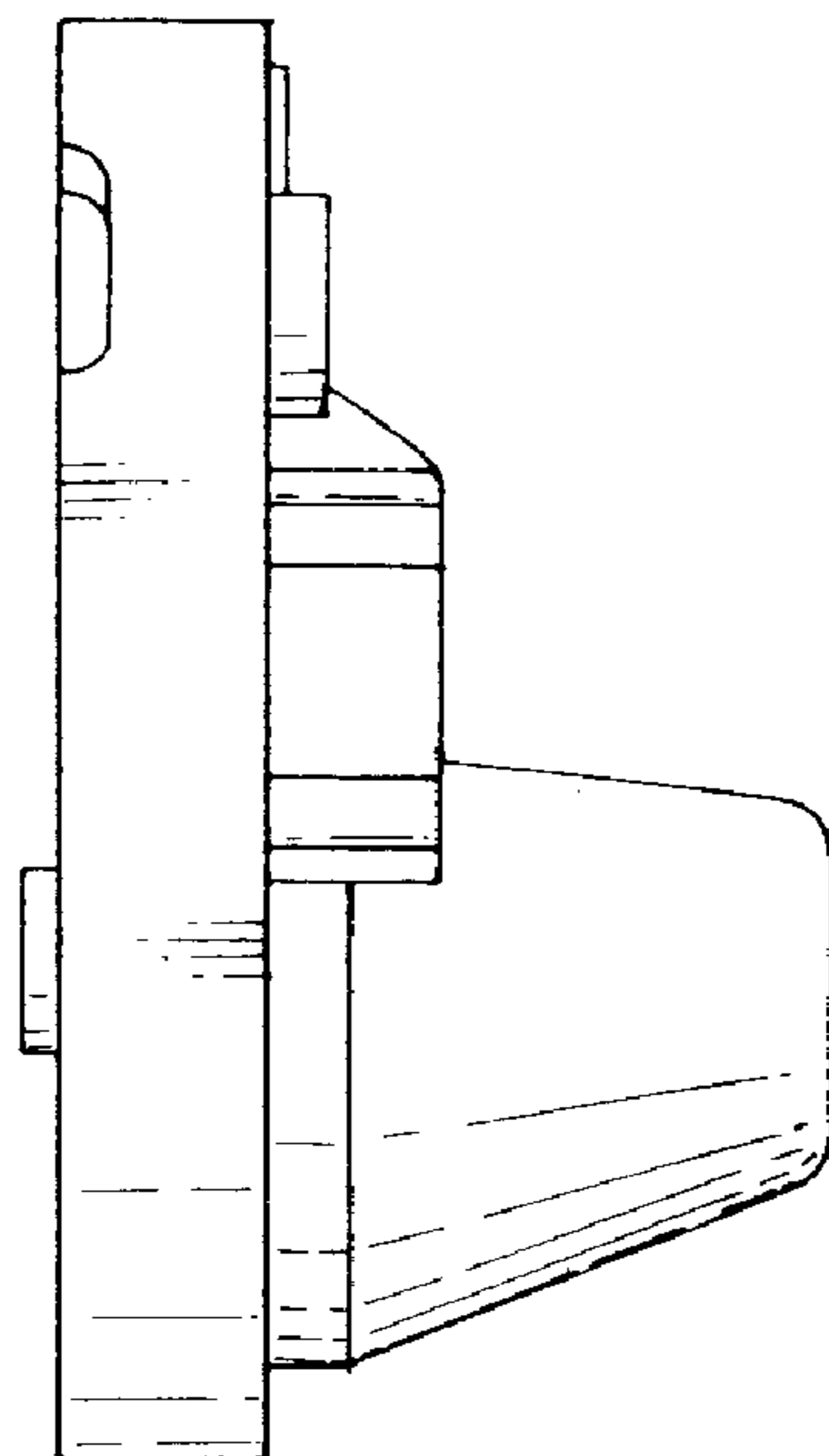


FIG. 5

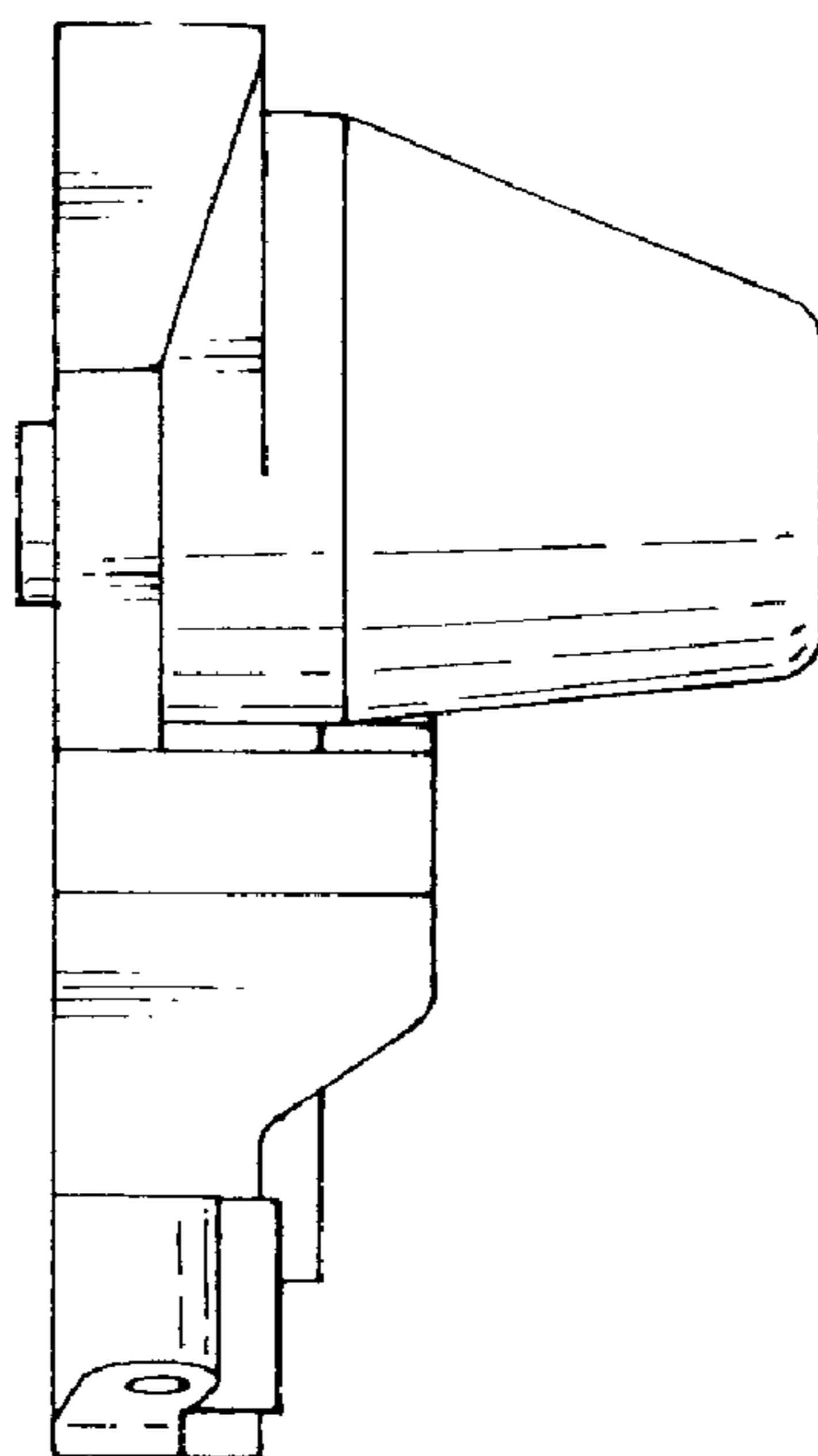


FIG. 6

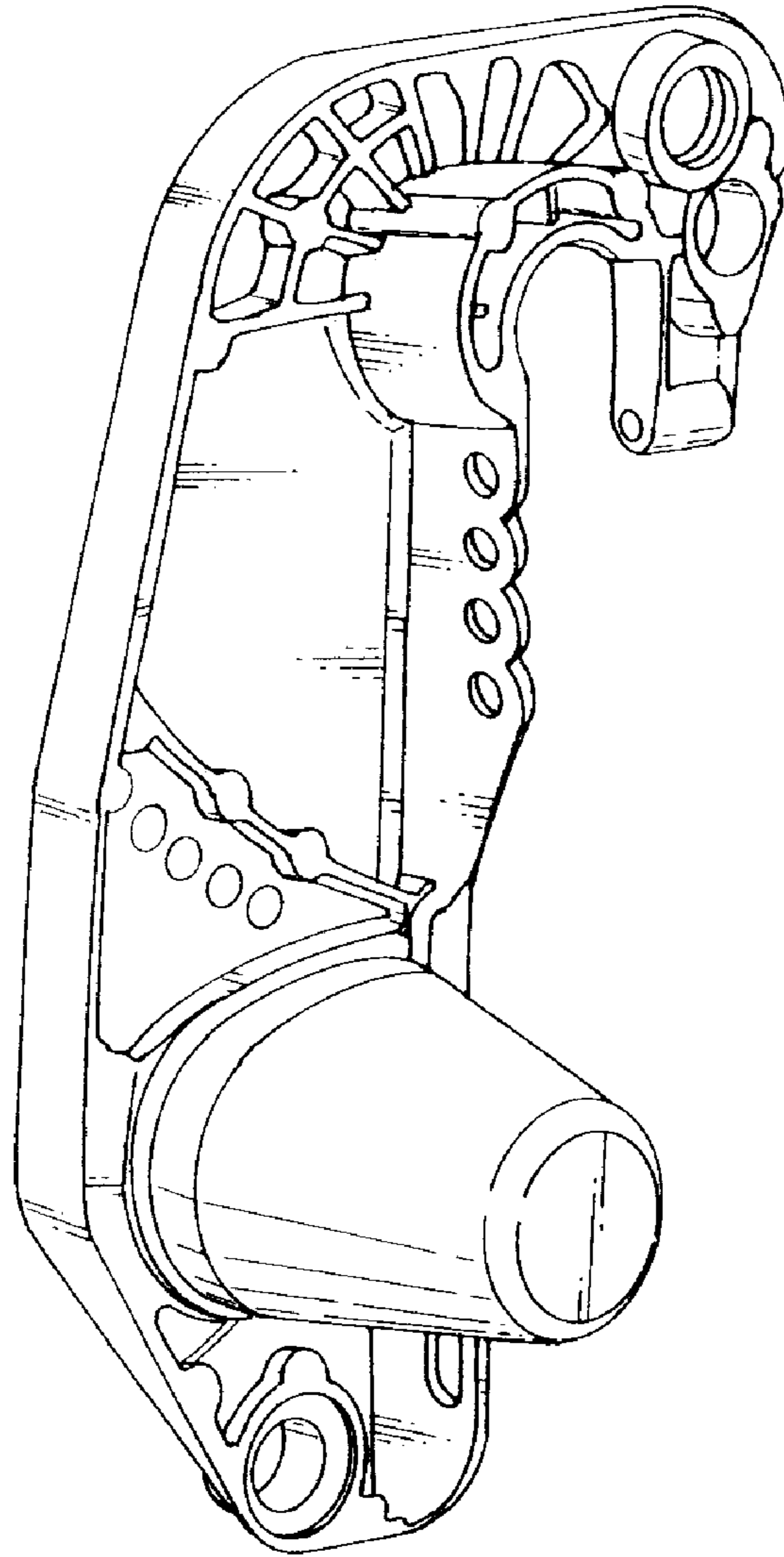


FIG. 7

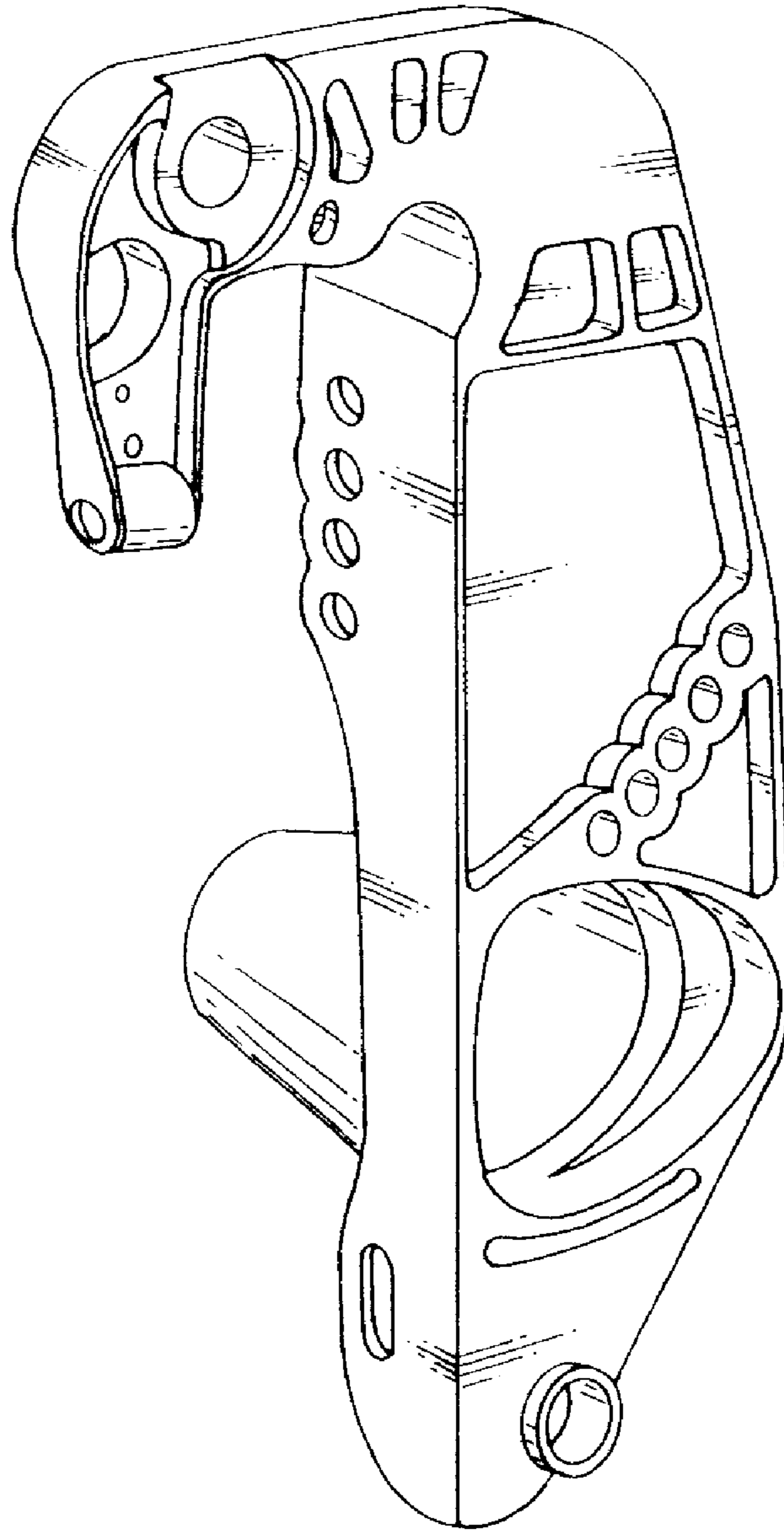


FIG. 8



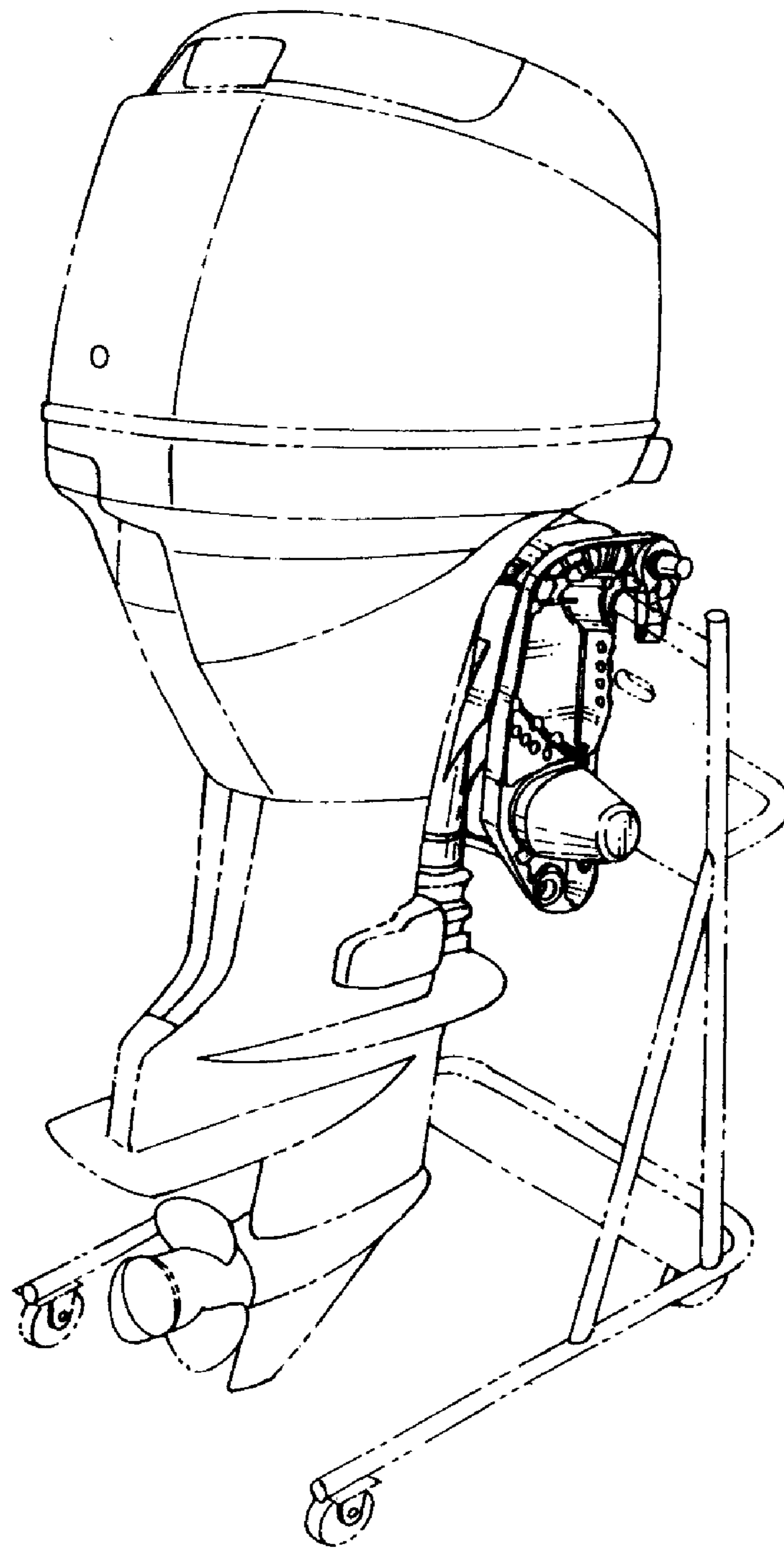


FIG. 9