

US00D520020S

(12) **United States Design Patent**
Senda et al.

(10) **Patent No.:** **US D520,020 S**

(45) **Date of Patent:** **** May 2, 2006**

(54) **PORTABLE MULTIMEDIA PLAYER**

(75) Inventors: **Haruki Senda**, Nagano (JP); **Shinji Hattori**, Nagano (JP); **Kenji Yanagisawa**, Nagano (JP); **Yuichi Takeuchi**, Nagano (JP)

(73) Assignee: **Seiko Epson Corporation**, Tokyo (JP)

(**) **Term:** **14 Years**

(21) **Appl. No.:** **29/217,673**

(22) **Filed:** **Nov. 22, 2004**

(30) **Foreign Application Priority Data**

May 28, 2004 (JP) 2004-015825

(51) **LOC (8) Cl.** **14-03**

(52) **U.S. Cl.** **D14/496**

(58) **Field of Classification Search** D14/496,
D14/483, 156-158, 135, 136, 160-165, 192,
D14/217, 474; 369/1, 6, 12, 83, 24.01, 273,
369/75.11; 370/342-345; 455/344-351; 273/148 B;
463/1, 43-47
See application file for complete search history.

(56) **References Cited**

U.S. PATENT DOCUMENTS

5,349,575 A * 9/1994 Park 369/1
5,825,408 A * 10/1998 Yuyama et al. 348/14.01
5,859,594 A * 1/1999 King et al. 340/7.55
6,639,577 B1 * 10/2003 Eberhard 345/102
D494,188 S * 8/2004 Huang D14/496

D499,423 S * 12/2004 Bahroocha et al. D14/496
D499,424 S * 12/2004 Bahroocha D14/496
D507,277 S * 7/2005 Sitoh D14/496
D510,937 S * 10/2005 Tsai D14/496
D511,347 S * 11/2005 Naruki D14/496

OTHER PUBLICATIONS

The design of a Compact Data Viewer (JPO Design Division document card No. HA16002403) disclosed on p. 155 in AXIS issued on Apr. 1, 2004, received by The National Center for Industrial Property General Information on Mar. 5, 2004.

* cited by examiner

Primary Examiner—Prabhakar Deshmukh

(74) *Attorney, Agent, or Firm*—Sughrue Mion, PLLC

(57) **CLAIM**

The ornamental design for a portable multimedia player, as shown.

DESCRIPTION

FIG. 1 is a perspective view of the front, right, and top sides of a portable multimedia player showing our new design; FIG. 2 is a perspective view of the rear, left and top sides thereof;

FIG. 3 is a front elevational view thereof;

FIG. 4 is a rear elevational view thereof;

FIG. 5 is a top plan view thereof;

FIG. 6 is a bottom plan view thereof;

FIG. 7 is a left side elevational view thereof; and,

FIG. 8 is a right side elevational view thereof.

1 Claim, 4 Drawing Sheets

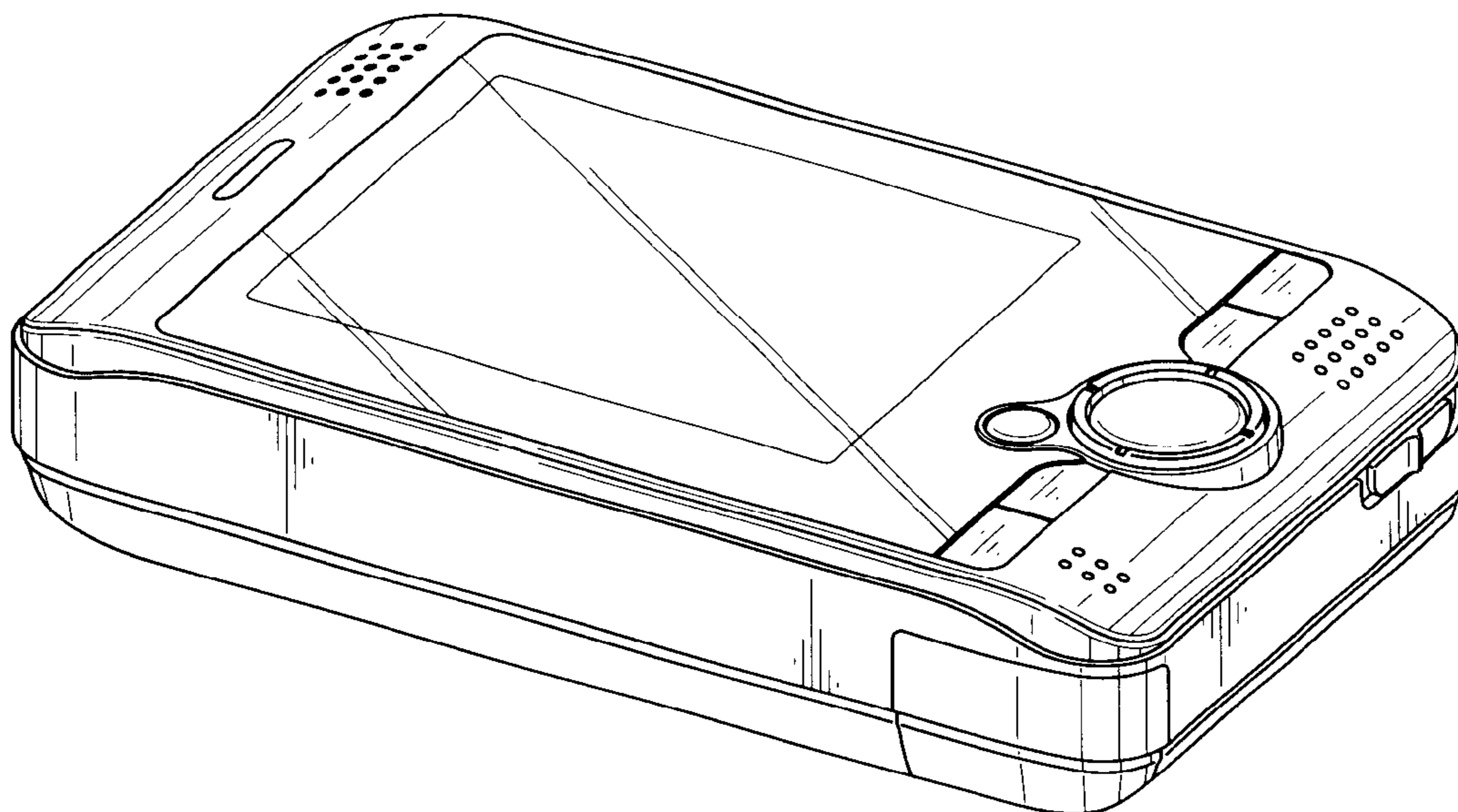


FIG. 1

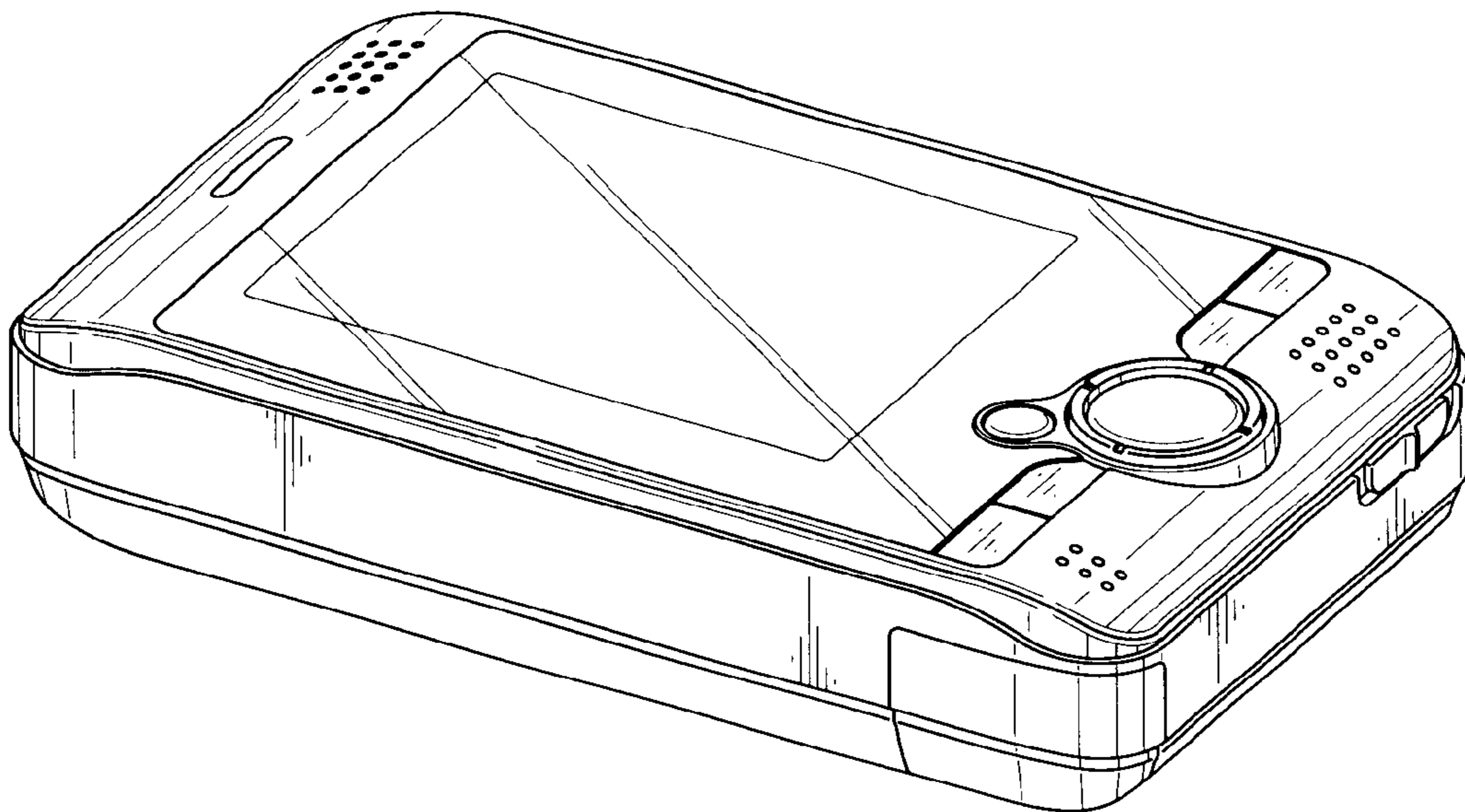


FIG. 2

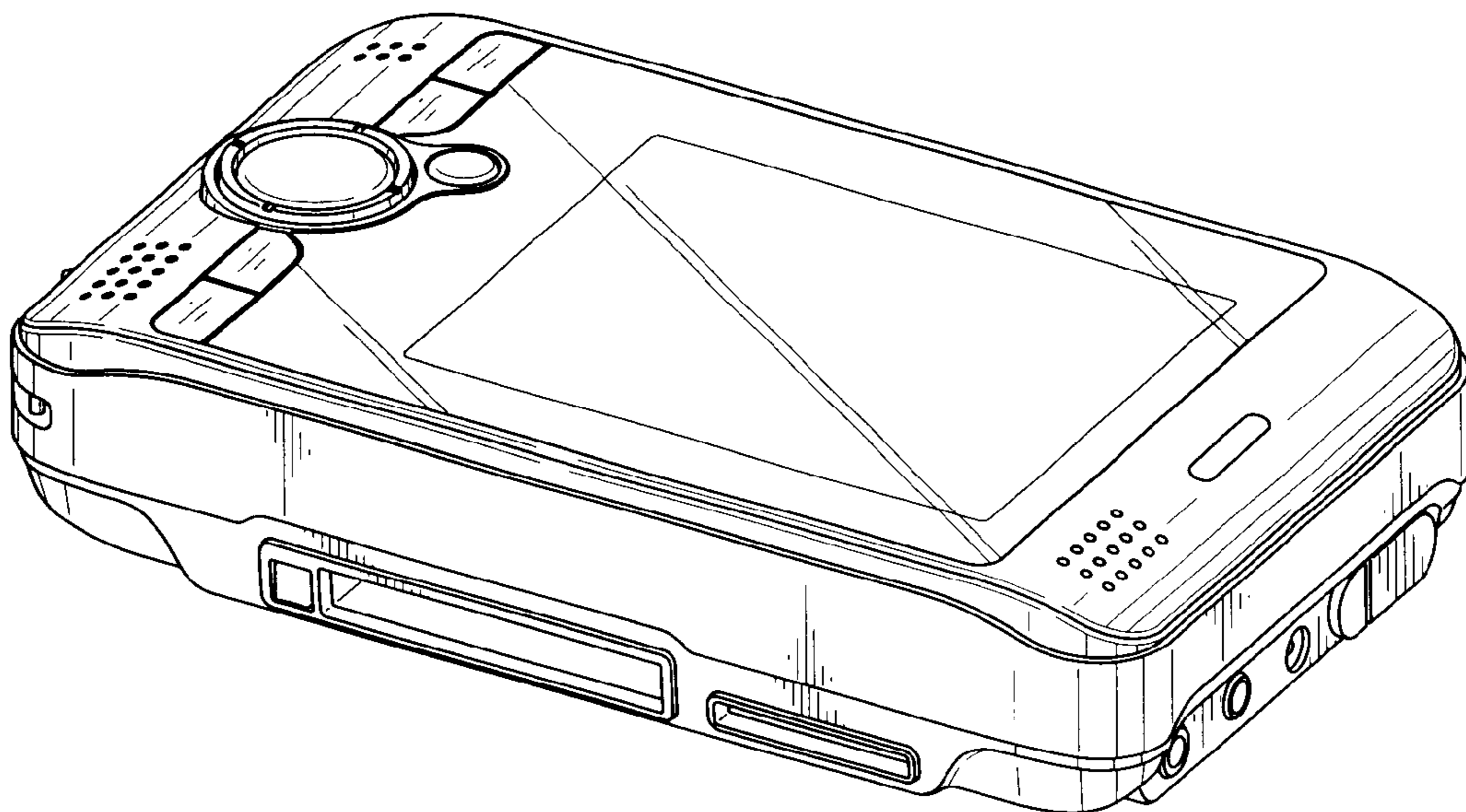


FIG. 3

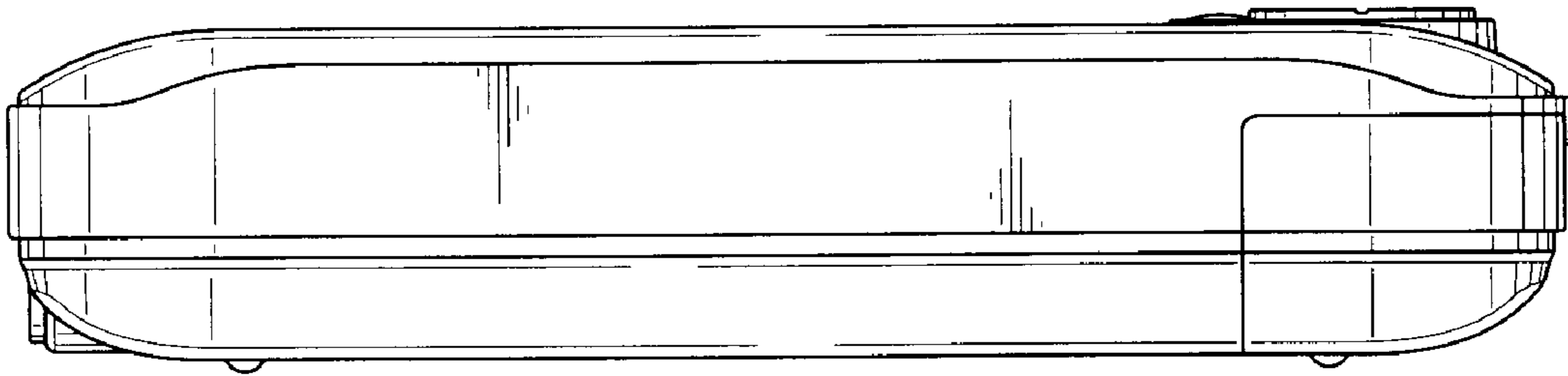


FIG. 4

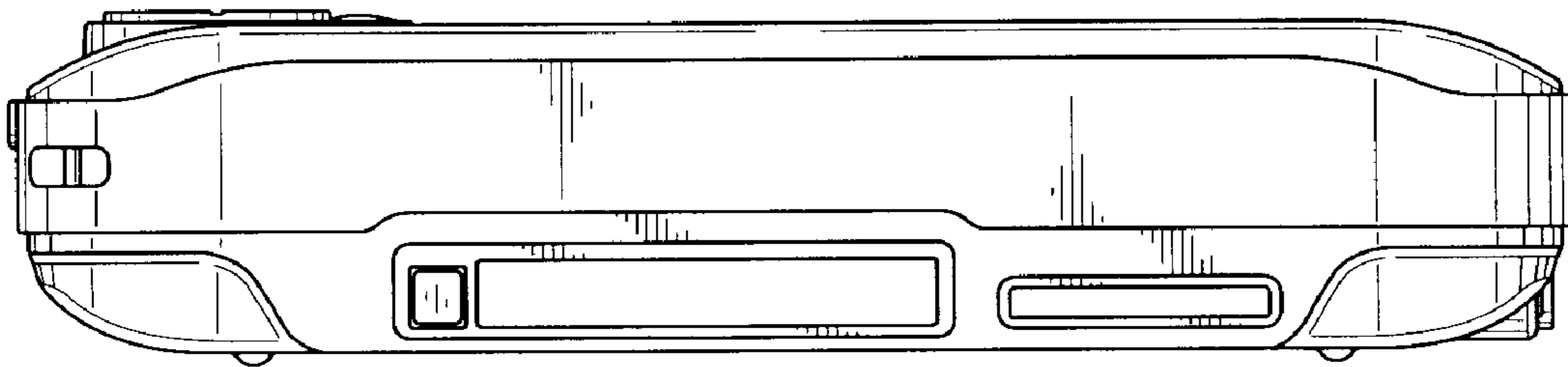


FIG. 5

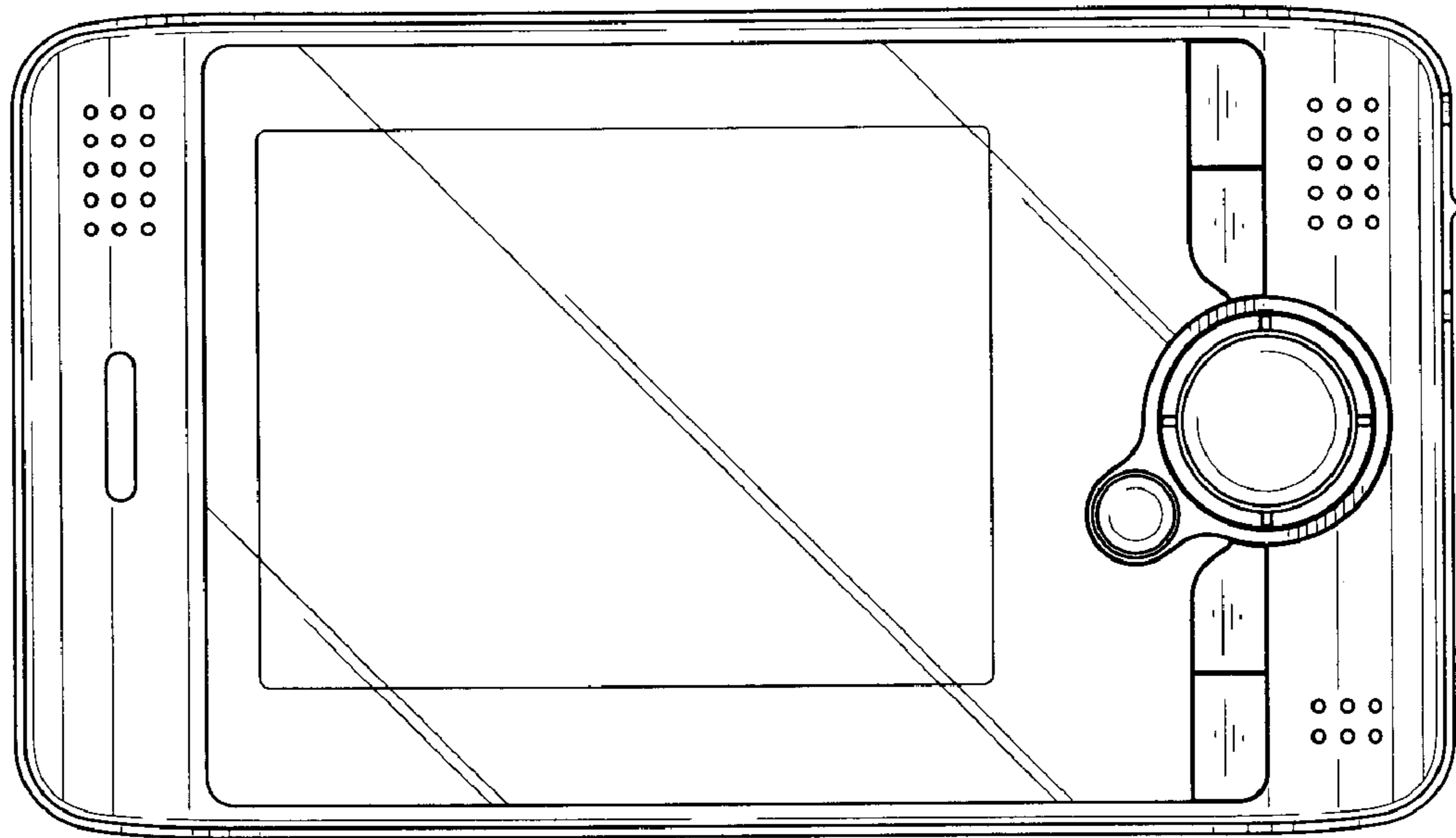


FIG. 6

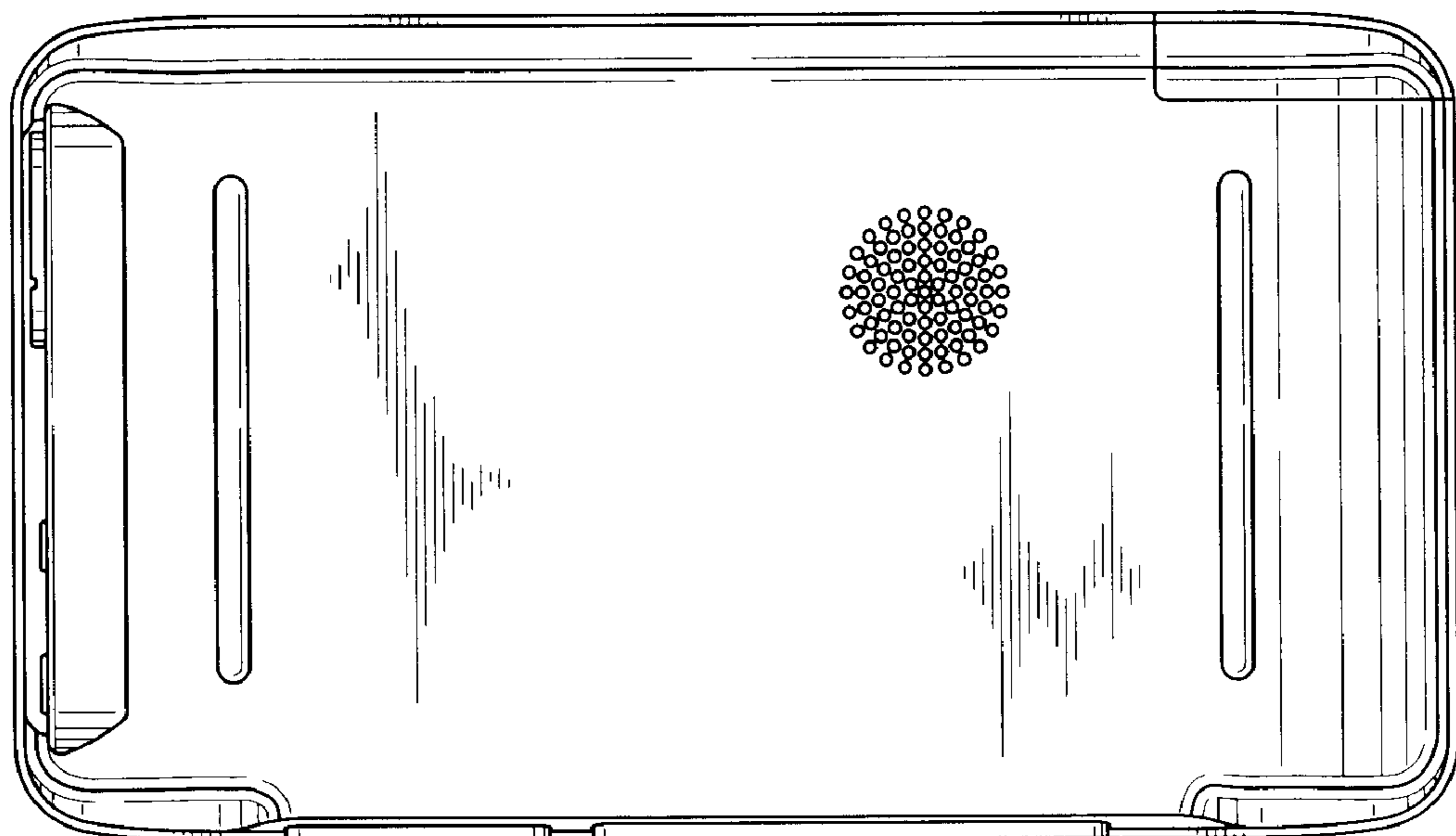


FIG. 7

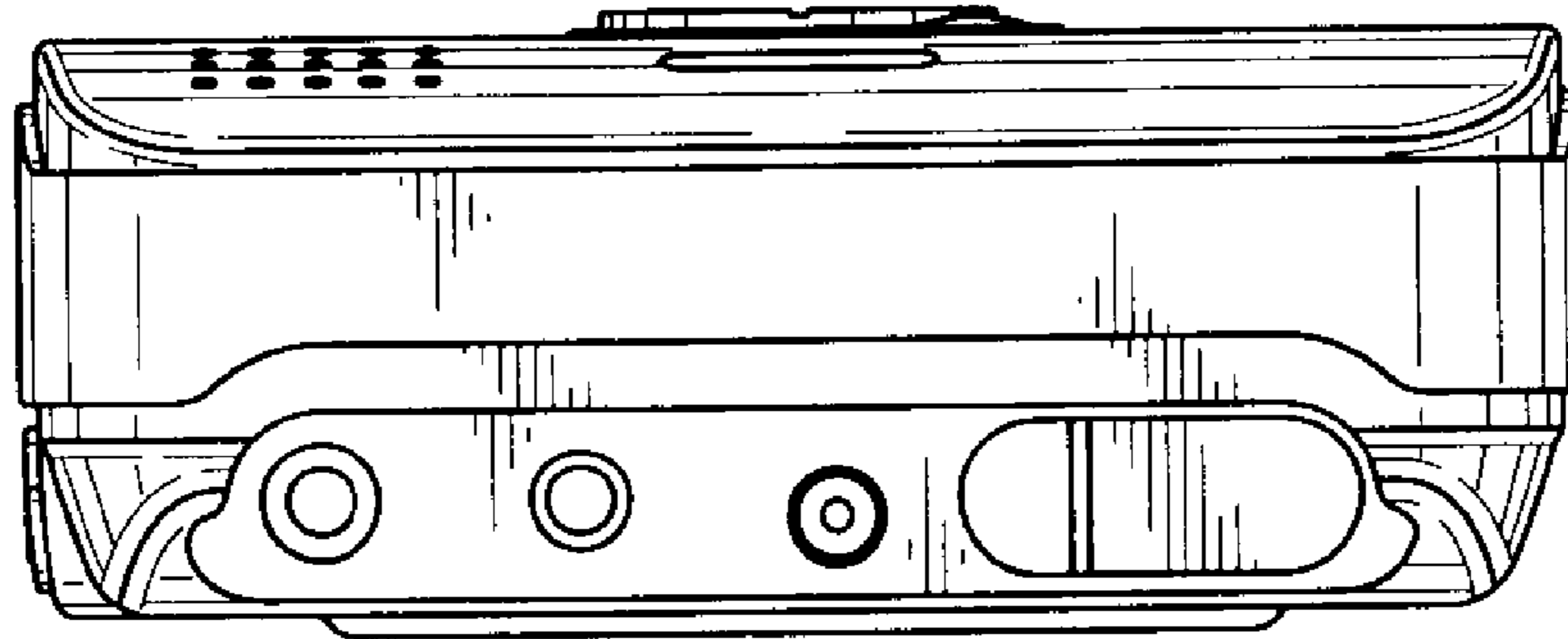


FIG. 8

