



US00D520017S

(12) **United States Design Patent**
van Kuijk et al.

(10) **Patent No.:** **US D520,017 S**

(45) **Date of Patent:** **** May 2, 2006**

(54) **SUPPORT FOR FLAT SCREENS**

(75) Inventors: **Ewald van Kuijk**, Eindhoven (NL);
Wim van Groesen, Tilburg (NL)

(73) Assignee: **Vogel's Holding B.V.**, Eindhoven (NL)

(**) Term: **14 Years**

(21) Appl. No.: **29/192,057**

(22) Filed: **Oct. 17, 2003**

(30) **Foreign Application Priority Data**

Apr. 18, 2003 (WO) DM/063 965

(51) **LOC (8) Cl.** **14-02**

(52) **U.S. Cl.** **D14/452**

(58) **Field of Classification Search** D14/432,
D14/447-448, 451, 452, 457; D8/380; 248/126,
248/286.1, 274.1; 362/430

See application file for complete search history.

(56) **References Cited**

U.S. PATENT DOCUMENTS

4,687,167 A * 8/1987 Skalka et al. 248/126
5,379,205 A * 1/1995 Peng 362/430

5,553,820 A * 9/1996 Karten et al. 248/286.1
D390,450 S * 2/1998 Rosen D8/380
D429,251 S * 8/2000 Sundy et al. D14/457
D435,852 S * 1/2001 Oddsen, Jr. D14/452
6,409,134 B1 * 6/2002 Oddsen, Jr. 248/274.1

* cited by examiner

Primary Examiner—Freda S. Nunn

(74) *Attorney, Agent, or Firm*—Ladas & Parry LLP

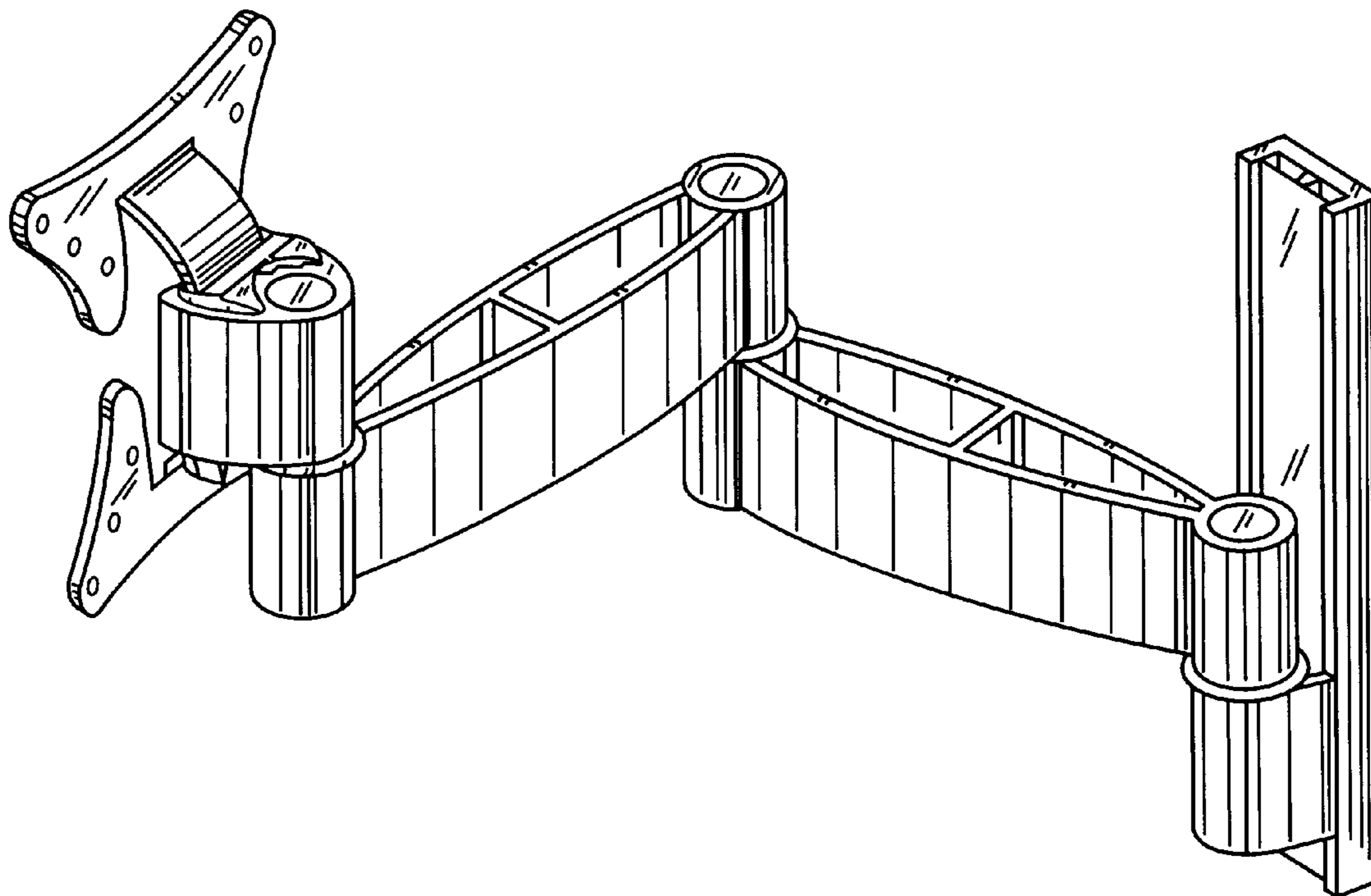
(57) **CLAIM**

The ornamental design for a “support for flat screens,” as shown and described.

DESCRIPTION

FIG. 1 is a perspective view showing an embodiment of the support for flat screens;
FIG. 2 is a front view of the embodiment of this invention;
FIG. 3 is a right side view of the embodiment of this invention; a left-side view thereof is a mirror image of the view shown in FIG. 3;
FIG. 4 is a rear view of the embodiment of this invention;
FIG. 5 is a top view of the embodiment of this invention; and,
FIG. 6 is a bottom view of the embodiment of this invention.

1 Claim, 6 Drawing Sheets



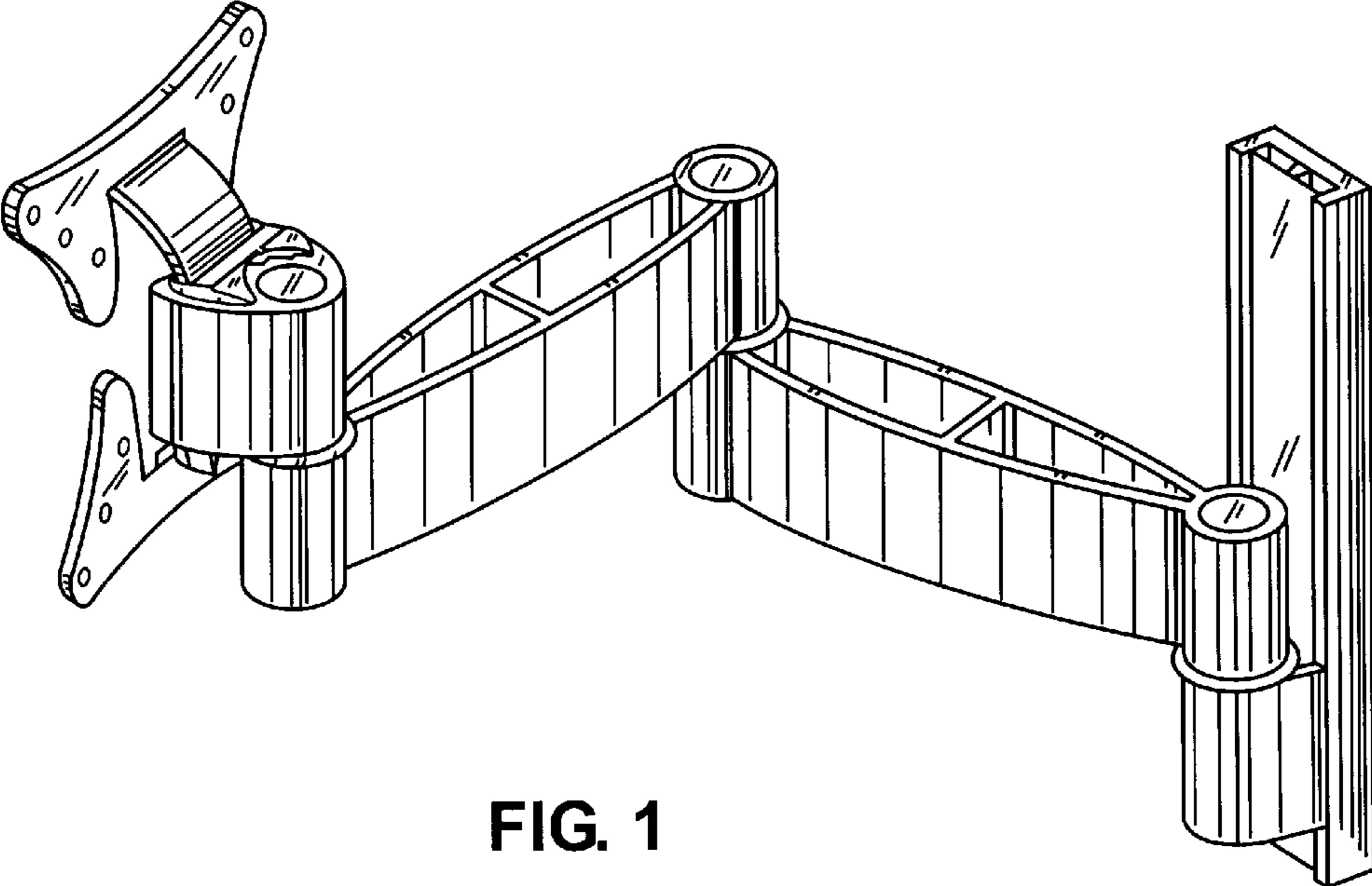


FIG. 1

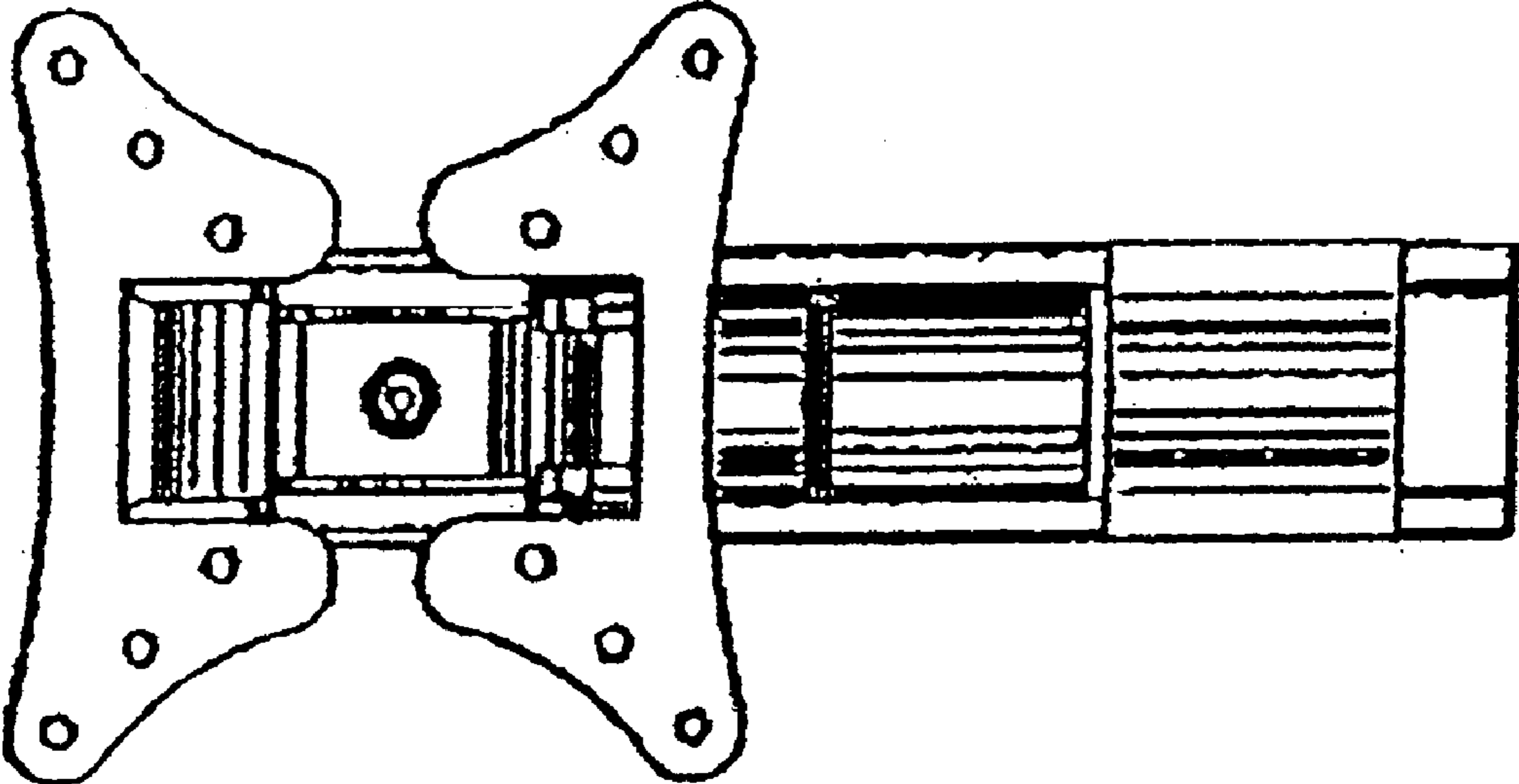


FIG. 2

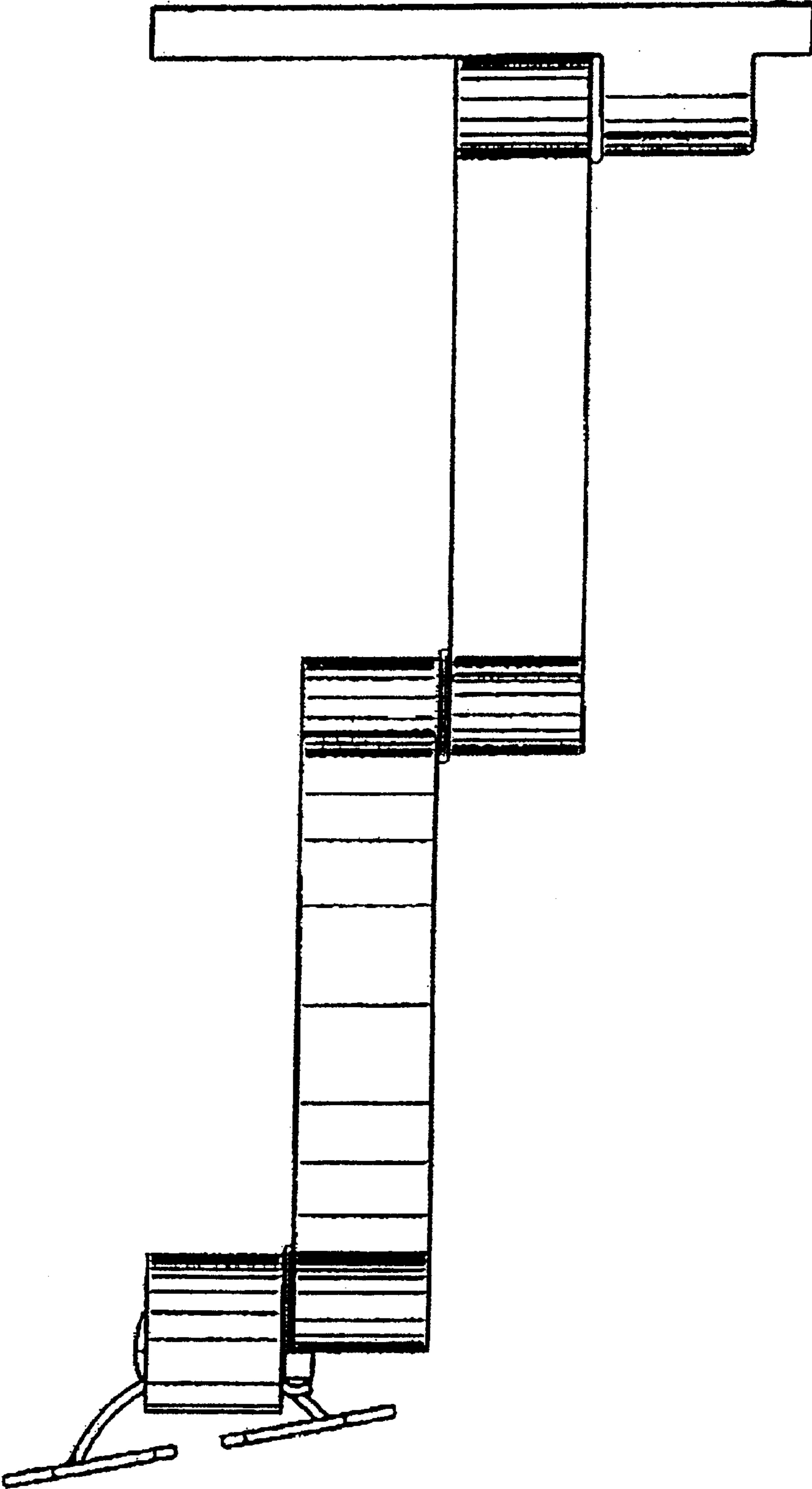


FIG. 3

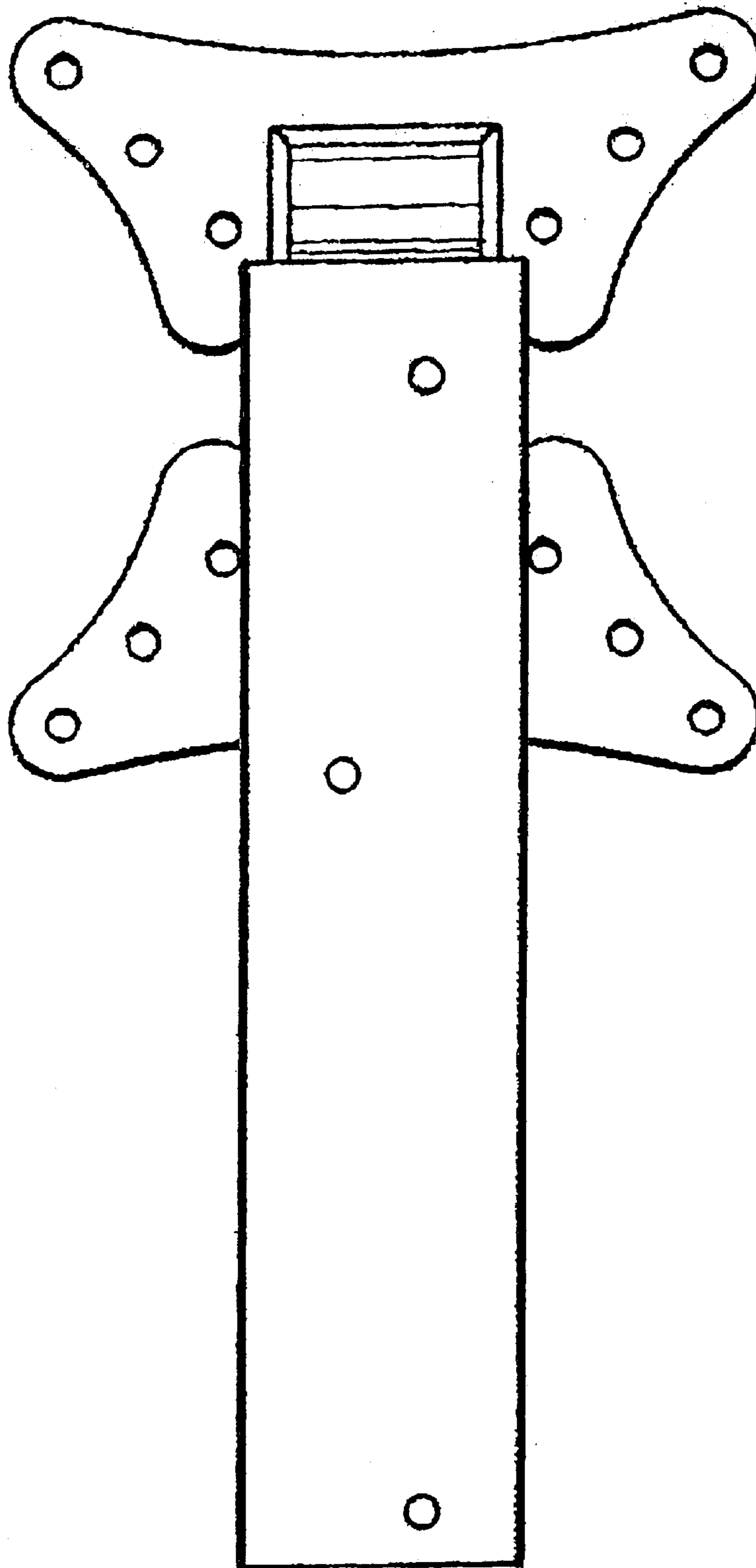


FIG. 4

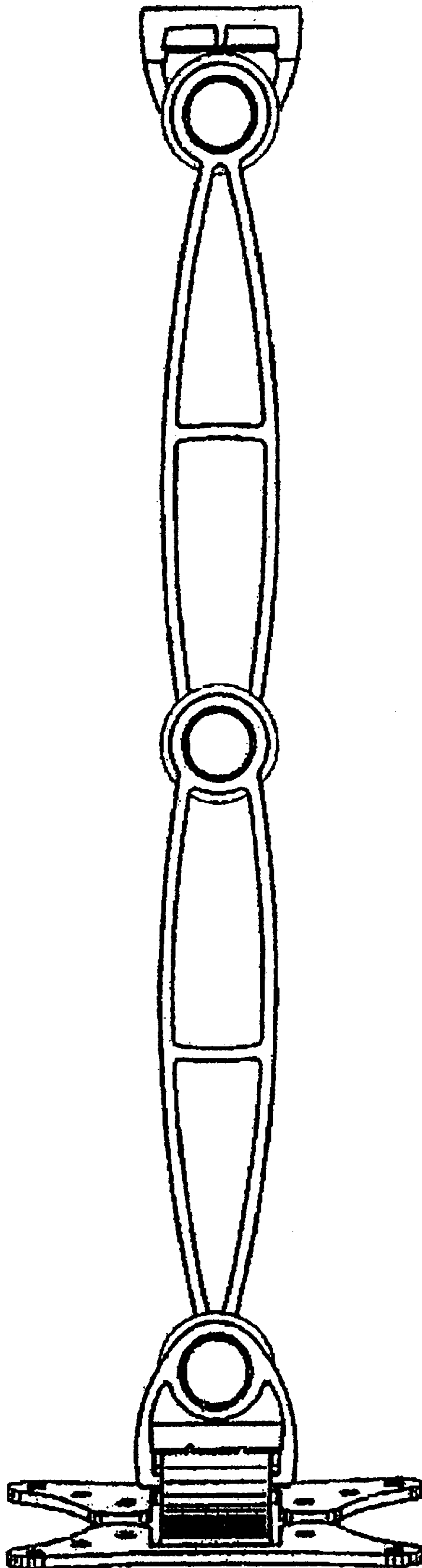


FIG. 5

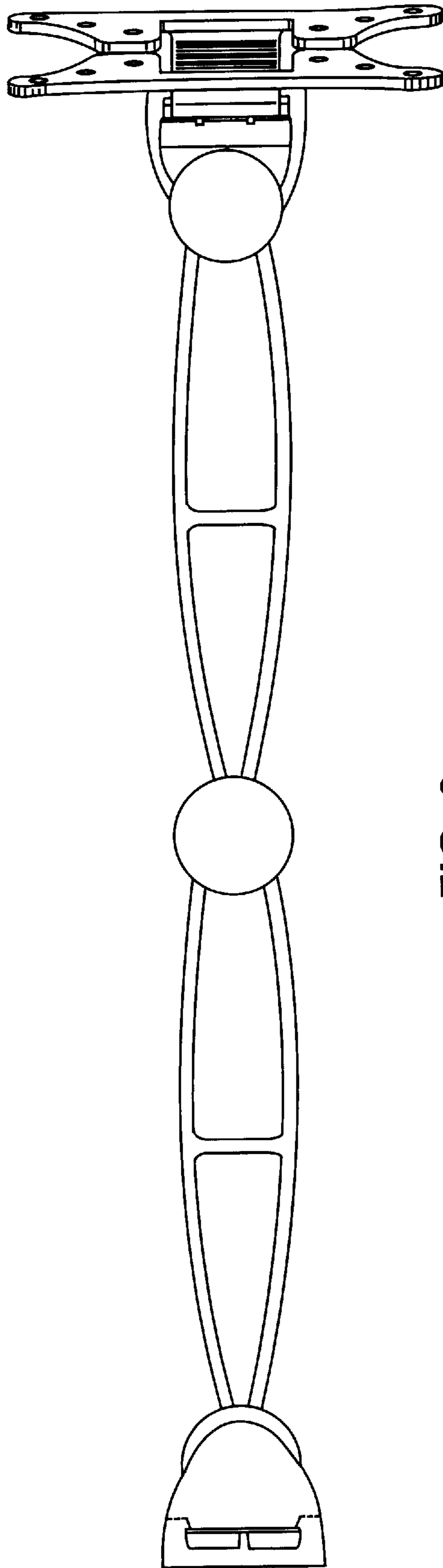


FIG. 6