



US00D520014S

(12) **United States Design Patent**
Harris et al.

(10) **Patent No.:** **US D520,014 S**

(45) **Date of Patent:** **** May 2, 2006**

(54) **PORTABLE COMPUTER MEDIA STATION**

(75) Inventors: **Jonathan R. Harris**, Cypress, TX
(US); **Kevin Massaro**, Cypress, TX
(US); **Mark Solomon**, Corvallis, OR
(US)

(73) Assignee: **Hewlett-Packard Development
Company, L.P.**, Houston, TX (US)

(**) Term: **14 Years**

(21) Appl. No.: **29/222,590**

(22) Filed: **Jan. 31, 2005**

(51) **LOC (8) Cl.** **14-02**

(52) **U.S. Cl.** **D14/434**

(58) **Field of Classification Search** D14/434,
D14/447, 432, 315; 361/686, 681, 725-727,
361/683, 818; 439/638, 372, 352, 639, 248,
439/654, 341; 248/917, 175, 918, 924, 441.1;
364/708.1; 710/303, 304; 312/223.2; 345/169;
320/107, 110, 113; 16/334; 403/93, 96; 428/317.1,
428/318.4, 319.1, 902, 922; D19/90, 34.1,
D19/91, 95, 75; D6/394; D8/349, 354; 211/42,
211/43

See application file for complete search history.

(56) **References Cited**

U.S. PATENT DOCUMENTS

D231,137 S	*	4/1974	Rosen	D19/90
5,187,645 A	*	2/1993	Spalding et al.	361/686
D349,696 S	*	8/1994	Hames	D14/447
D366,469 S	*	1/1996	Youens	D14/434
D371,119 S	*	6/1996	Youens et al.	D14/434
5,568,359 A	*	10/1996	Cavello et al.	361/686
D391,937 S	*	3/1998	Rosen	D14/452
5,751,547 A	*	5/1998	Honda et al.	361/686
5,899,421 A	*	5/1999	Silverman	248/175
6,091,602 A	*	7/2000	Helot	361/686

D440,809 S	*	4/2001	Hunt	D6/629
6,352,162 B1	*	3/2002	Yang et al.	211/43
6,545,864 B1	*	4/2003	Davis, IV	361/683
6,597,577 B1	*	7/2003	Tang et al.	361/724
D478,355 S	*	8/2003	Chen	D19/90

* cited by examiner

Primary Examiner—Alan P. Douglas
Assistant Examiner—Susan Moon Lee

(57) **CLAIM**

We claim the ornamental design for a portable computer media station, as shown and described.

DESCRIPTION

FIG. 1 is a right side view of the design for the portable computer media station in accordance with the present design;

FIG. 2 is a top view of the design for the portable computer media station in accordance with the present design;

FIG. 3 is a left side view of the design for the portable computer media station in accordance with the present design;

FIG. 4 is a front view of the design for the portable computer media station in accordance with the present design;

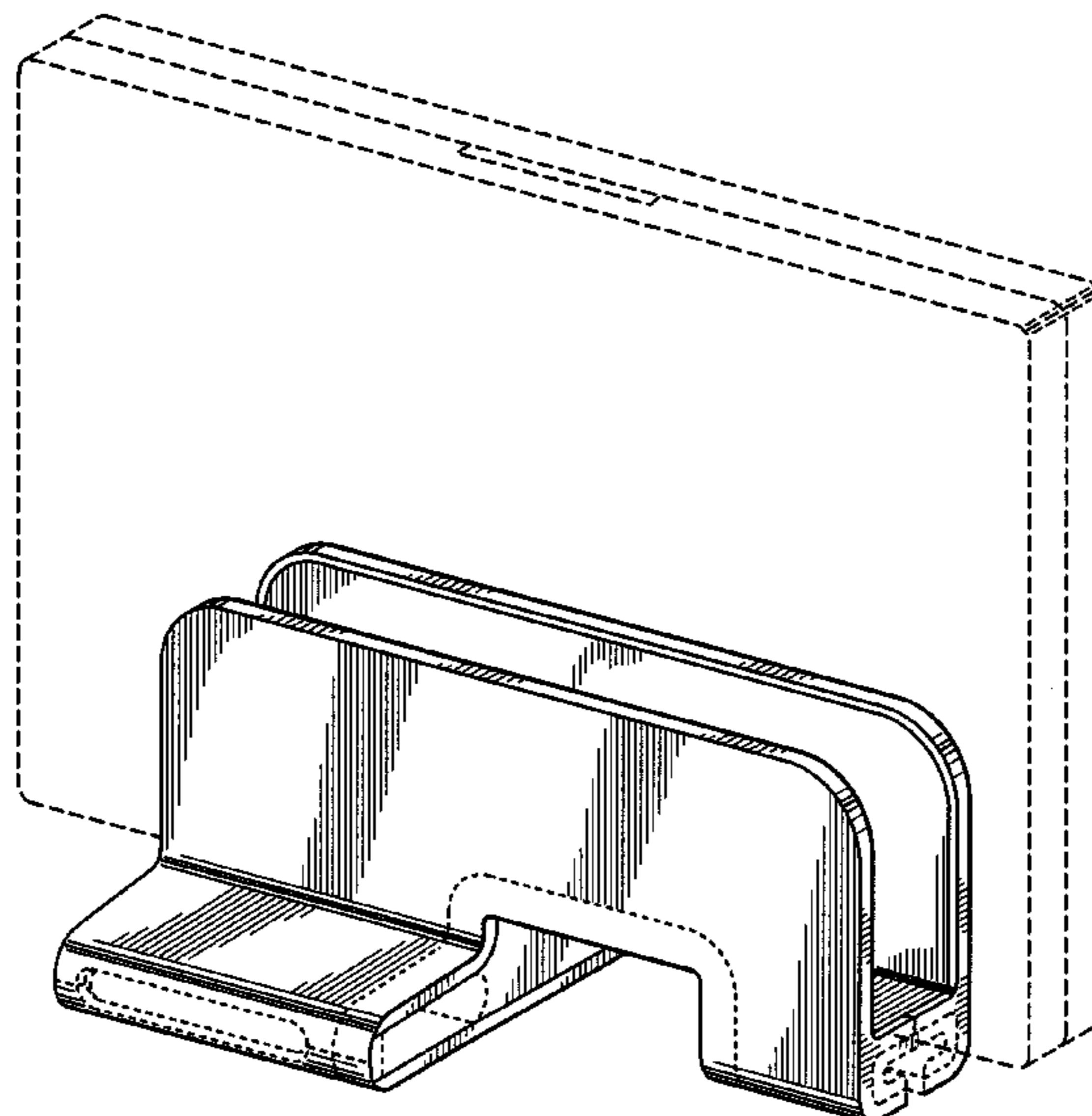
FIG. 5 is a rear view of the design for the portable computer media station in accordance with the present design;

FIG. 6 is a perspective view of the design for the portable computer media station in accordance with the present design; and,

FIG. 7 is a perspective view of the design for the portable computer media station in conjunction with a portable computer in accordance with the present design.

In these drawings, the solid lines illustrate the claimed ornamental design, whereas the broken lines illustrate environmental features that form no part of the claimed ornamental design.

1 Claim, 4 Drawing Sheets



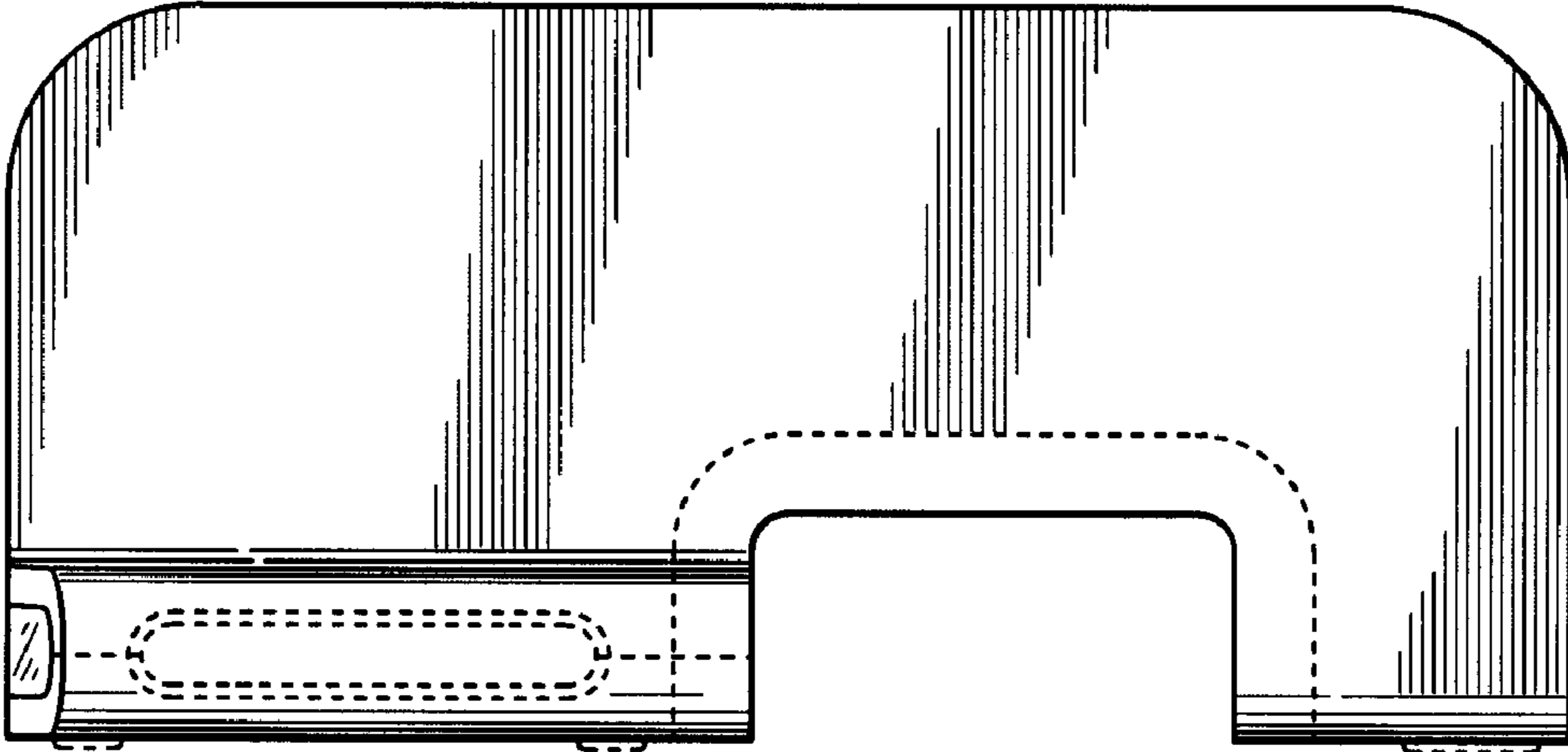


FIG. 1

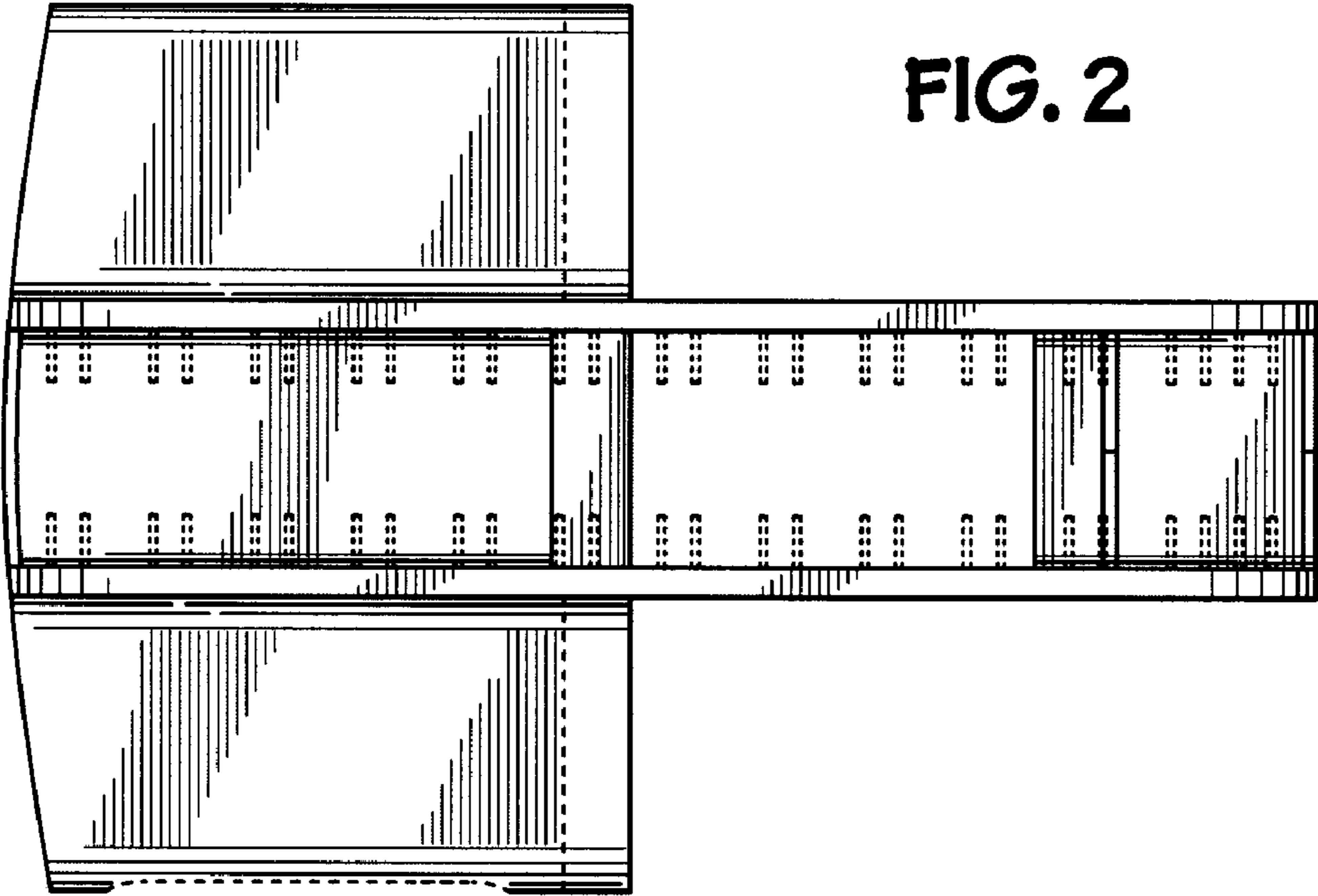


FIG. 2

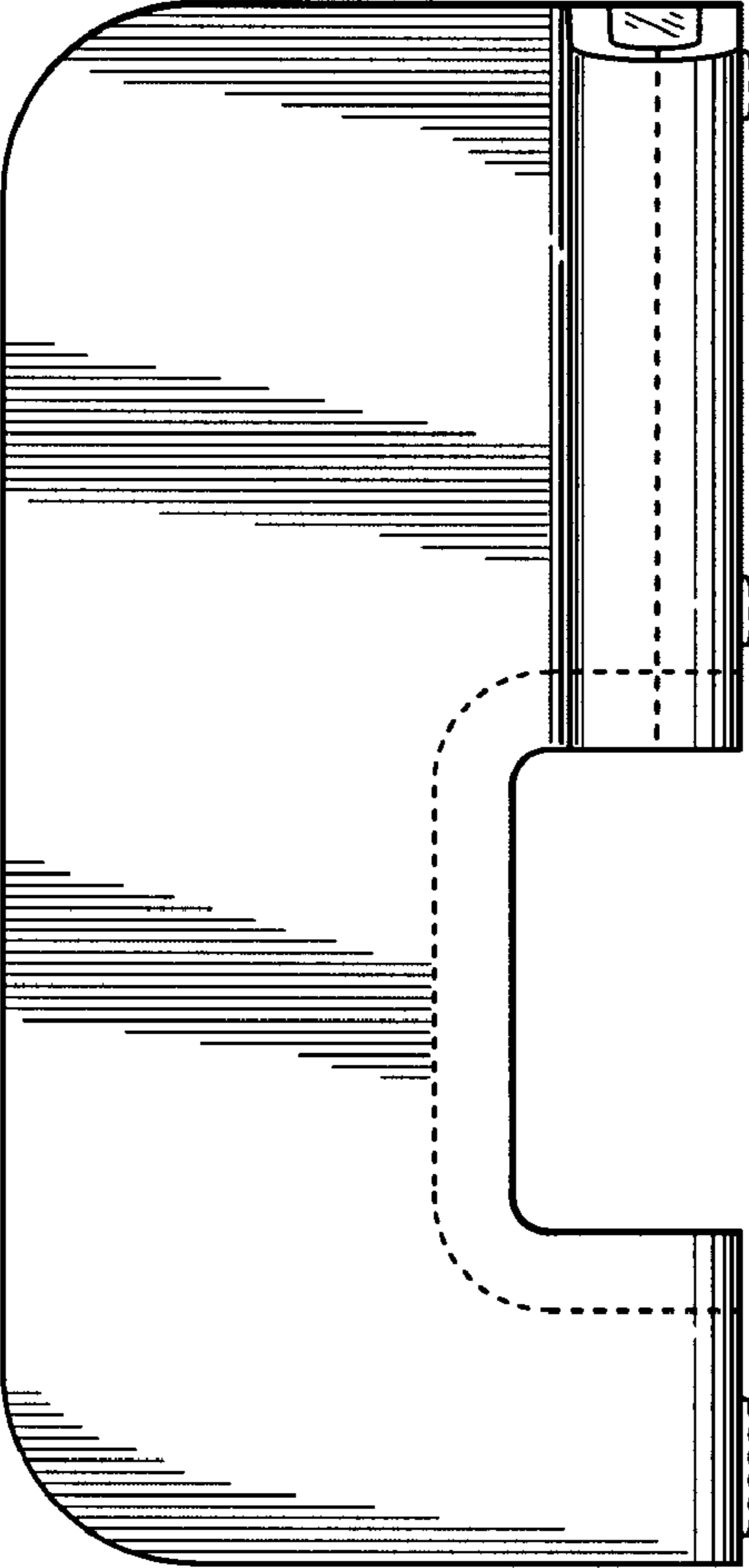


FIG. 3

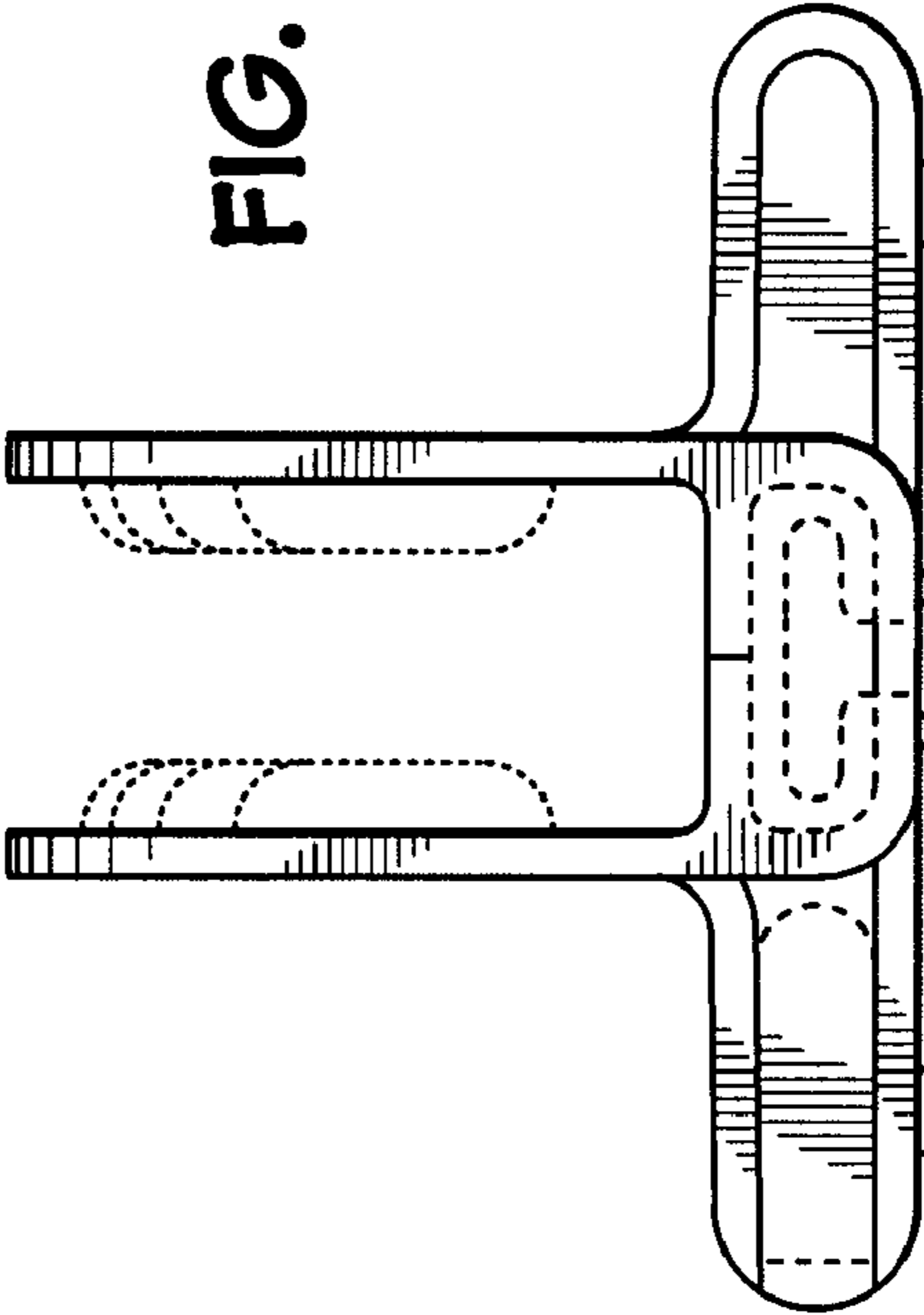


FIG. 5

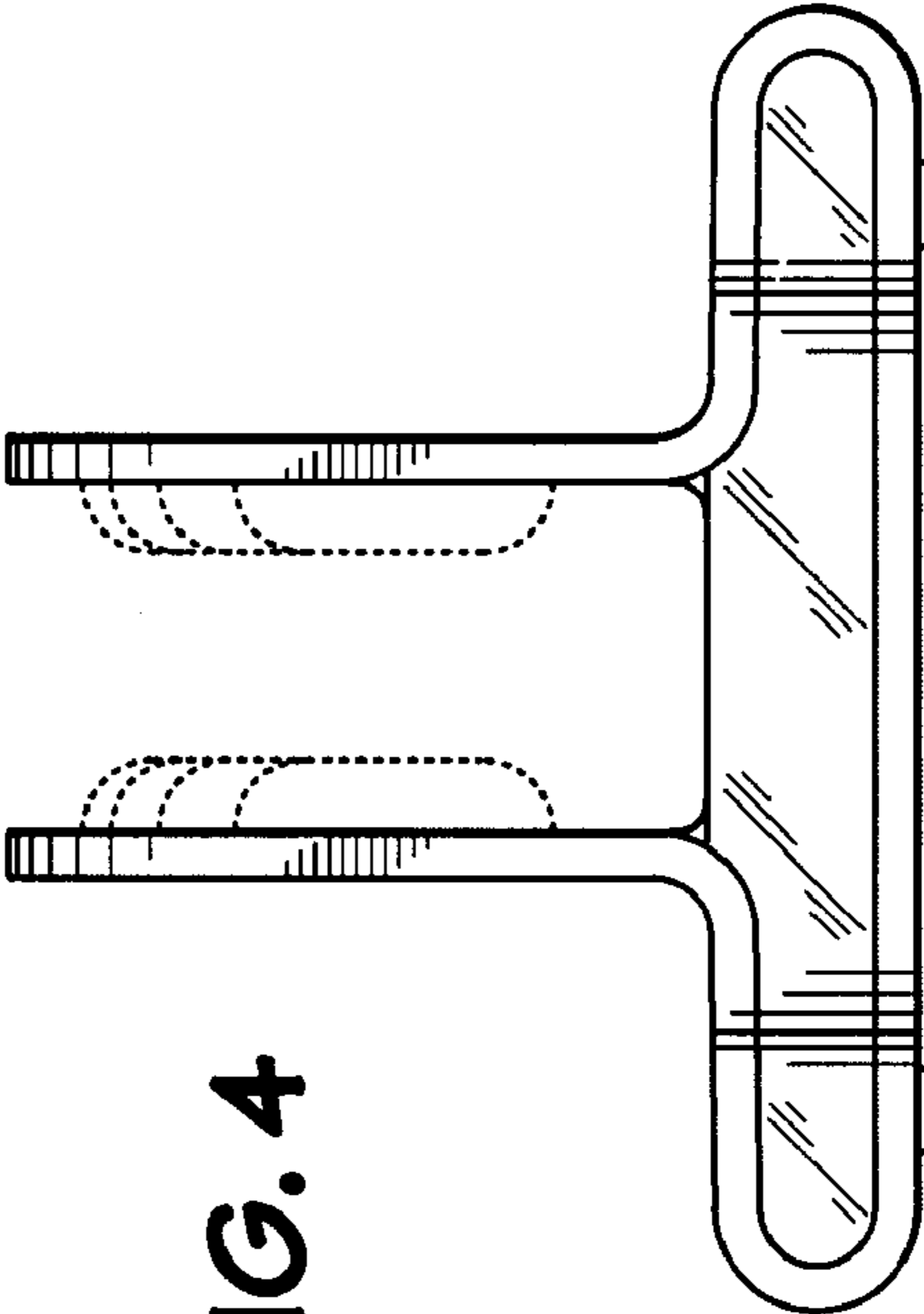


FIG. 4

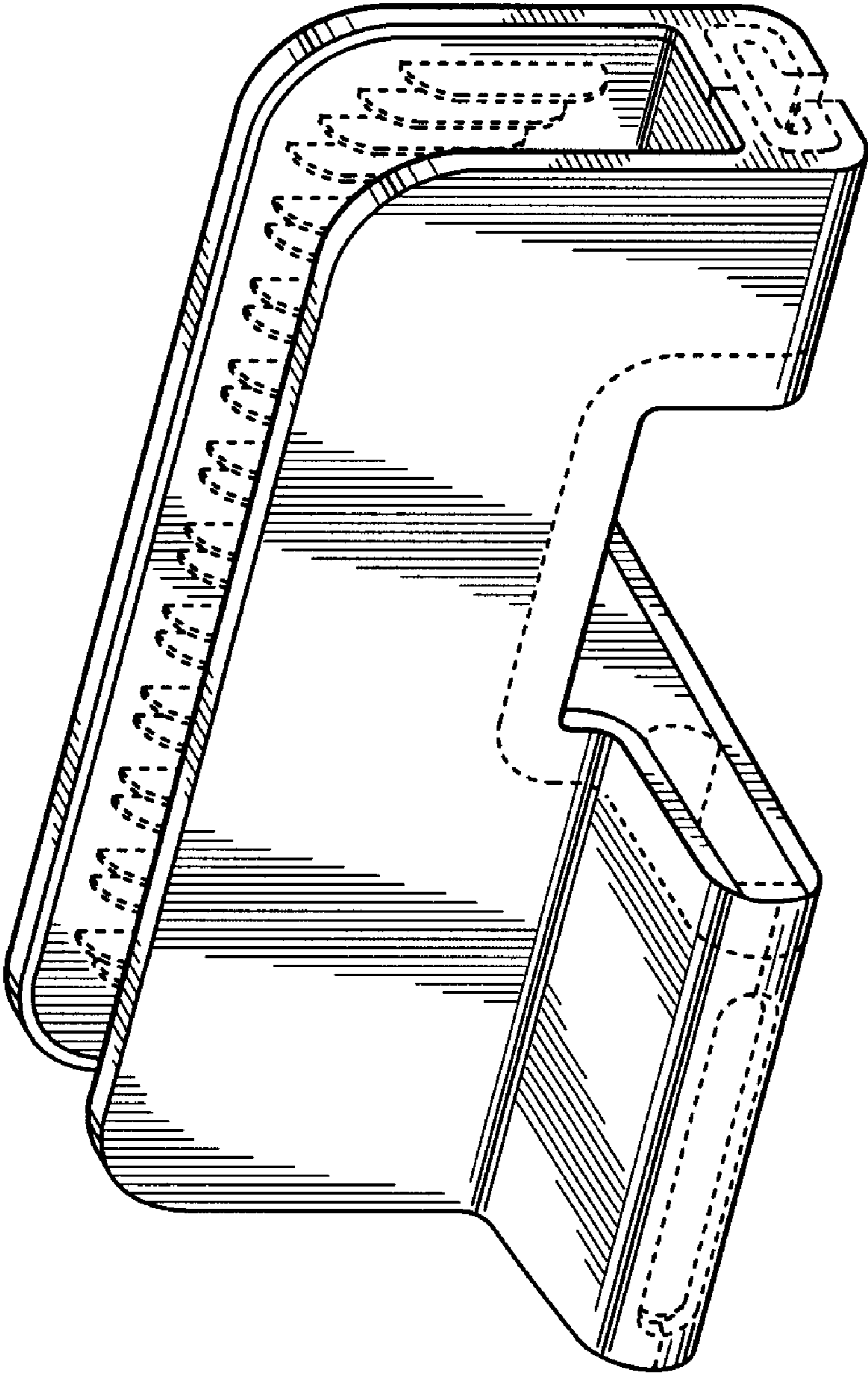


FIG. 6

FIG. 7

