



US00D520013S

(12) **United States Design Patent**
Yang

(10) **Patent No.:** **US D520,013 S**

(45) **Date of Patent:** **** May 2, 2006**

(54) **CRADLE**

(75) Inventor: **Deok-Joon Yang**, Seoul (KR)

(73) Assignee: **Reigncom Ltd.**, Seoul (KR)

(**) Term: **14 Years**

(21) Appl. No.: **29/221,336**

(22) Filed: **Jan. 12, 2005**

(30) **Foreign Application Priority Data**

Sep. 20, 2004 (KR) 30-2004-0029167

(51) **LOC (8) Cl.** **14-02**

(52) **U.S. Cl.** **D14/434**

(58) **Field of Classification Search** D14/434,
D14/447, 432, 433, 385, 357, 149, 457, 253,
D14/251, 356; D13/199, 107, 108, 118; 361/600,
361/679, 683, 686; 200/6 R; 206/701; 320/113-115,
320/107; 379/426; 455/557, 556.1, 556.2;
345/156, 901, 905; 439/374, 131, 529, 534,
439/929, 346, 31, 640; 235/472.01; 248/309.1,
248/221.11; 429/100

See application file for complete search history.

(56) **References Cited**

U.S. PATENT DOCUMENTS

5,052,943 A * 10/1991 Davis 439/357
5,248,264 A * 9/1993 Long et al. 439/347
D344,708 S * 3/1994 Ho D13/108
5,619,397 A * 4/1997 Honda et al. 361/686
5,691,618 A * 11/1997 Kobayashi et al. 320/115
D419,160 S * 1/2000 Davidson et al. D14/253

D429,242 S * 8/2000 Sun D14/253
D429,487 S * 8/2000 Loh et al. D14/447
D440,542 S * 4/2001 Hawkins et al. D14/346
D442,141 S * 5/2001 Ikenaga D13/107
D443,856 S * 6/2001 Lehtovaara D13/107
6,290,534 B1 * 9/2001 Sadler 439/534
D457,162 S * 5/2002 Hawkins et al. D14/434
D471,548 S * 3/2003 Zheng D14/253
D472,900 S * 4/2003 Matsumoto D14/447
6,608,749 B1 * 8/2003 Hubbard 361/683
2002/0032041 A1 * 3/2002 Hirai et al. 455/557

* cited by examiner

Primary Examiner—Alan P. Douglas

Assistant Examiner—Susan Moon Lee

(74) *Attorney, Agent, or Firm*—Lee, Hong, Degerman,
Kang & Schmadeka

(57) **CLAIM**

The ornamental design for a cradle, as shown and described.

DESCRIPTION

FIG. 1 is a perspective view of an embodiment of a cradle;
FIG. 2 is a front view thereof;
FIG. 3 is a rear view thereof;
FIG. 4 is a first side view thereof;
FIG. 5 is a second side view thereof;
FIG. 6 is a top view thereof;
FIG. 7 is a bottom view thereof; and,
FIG. 8 is a perspective view thereof, wherein an upright
portion of the cradle is rotatably moved to a bottom portion
of the cradle.

1 Claim, 8 Drawing Sheets

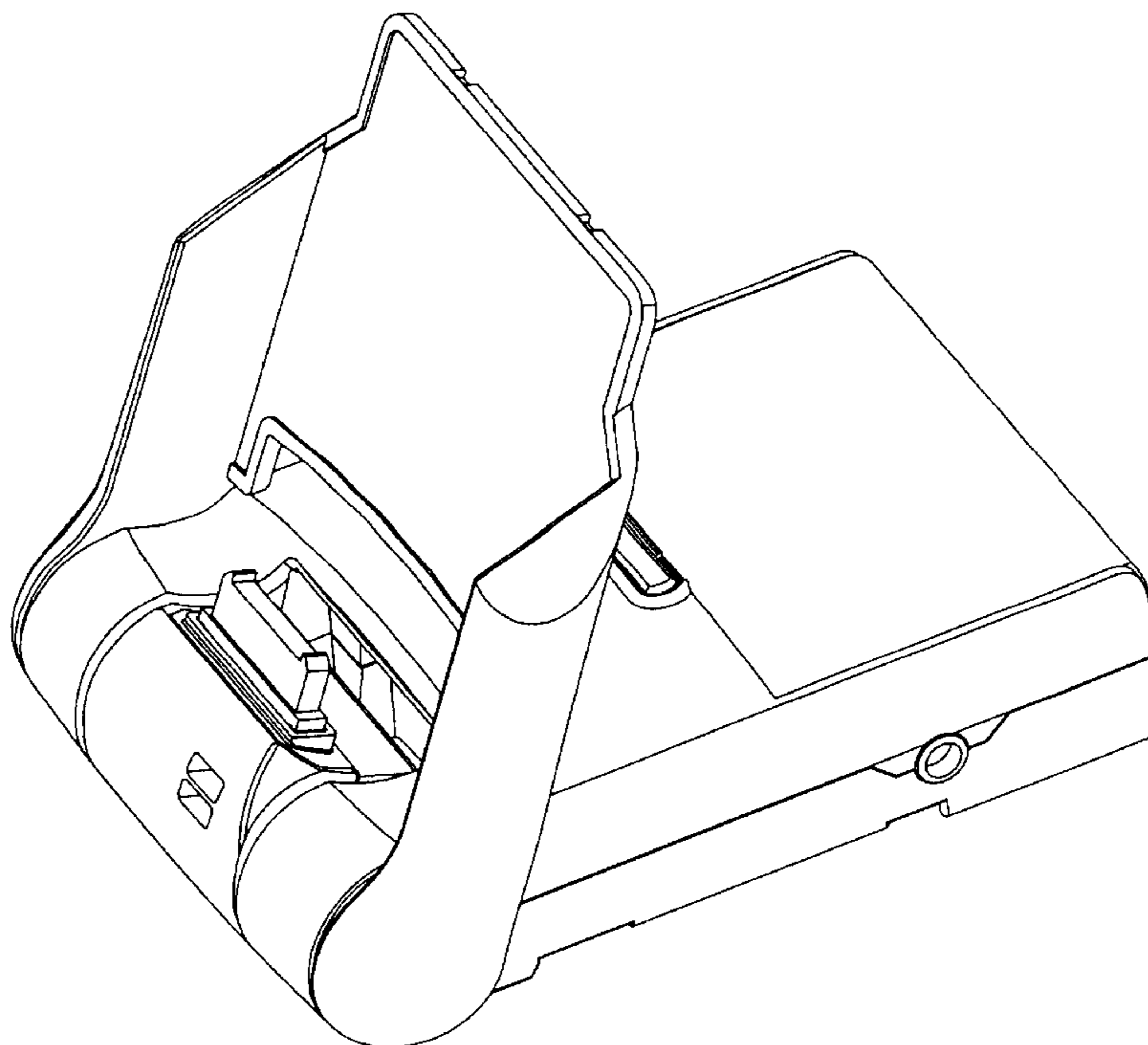


FIG. 1

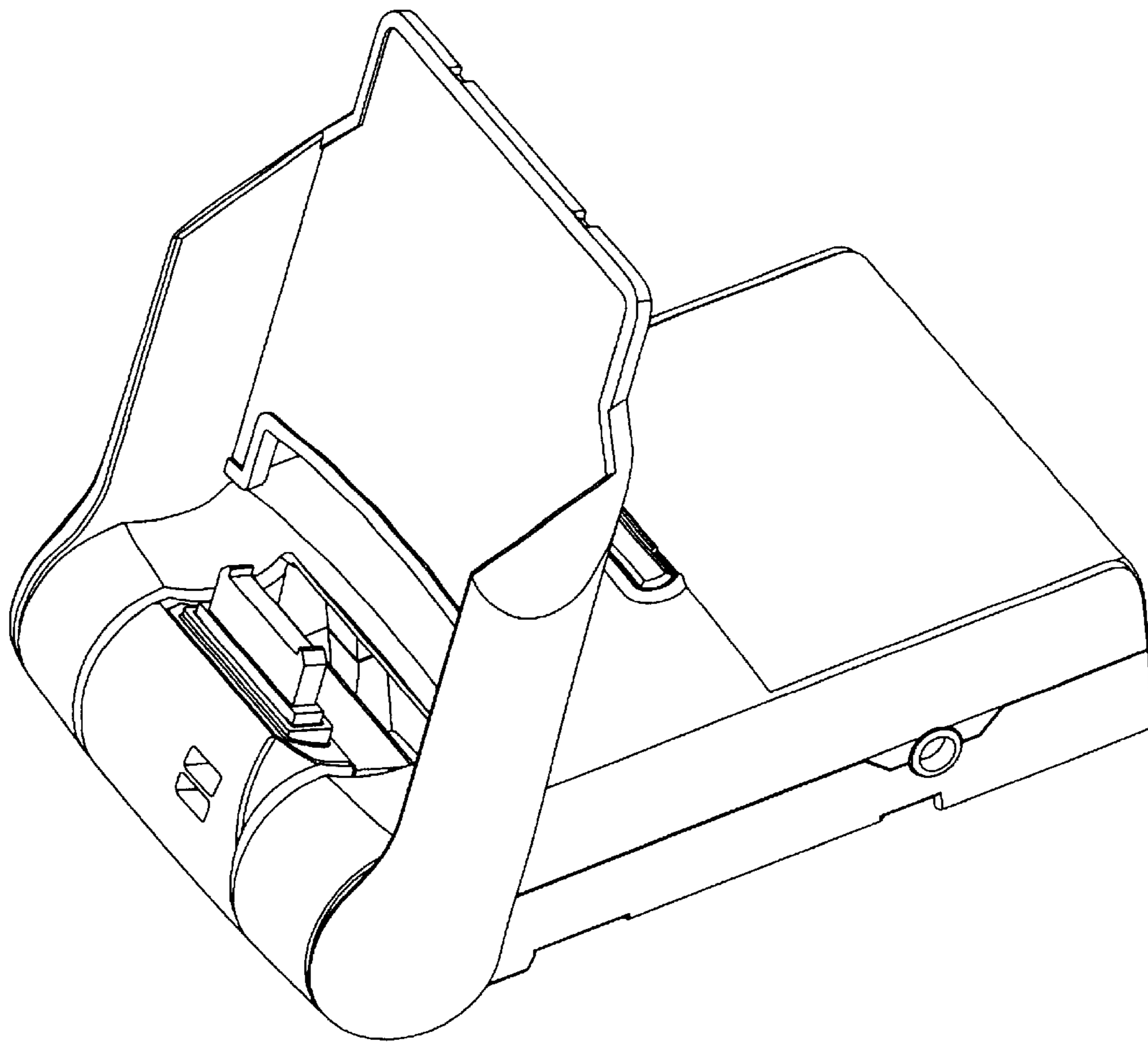


FIG. 2

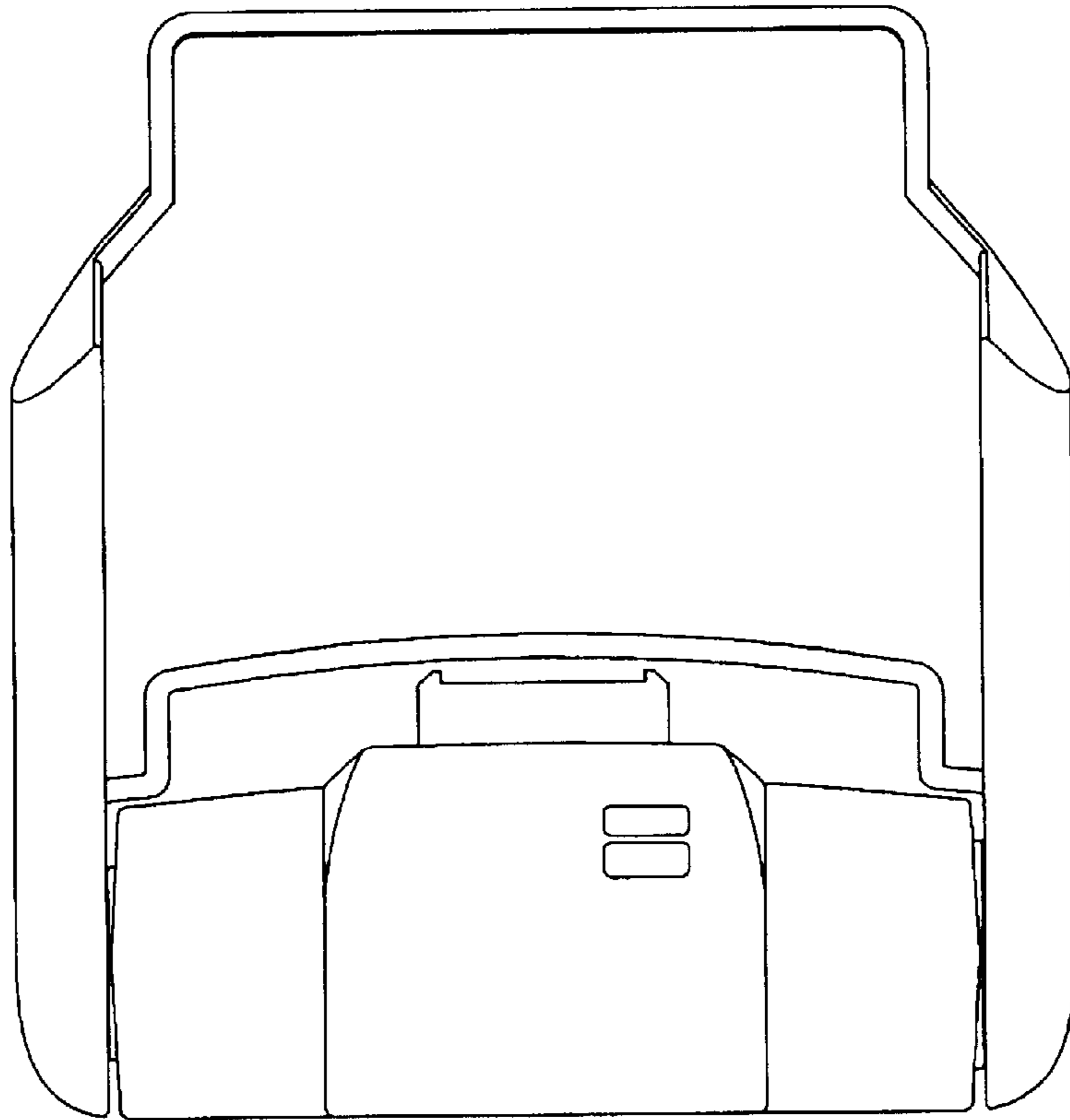


FIG. 3

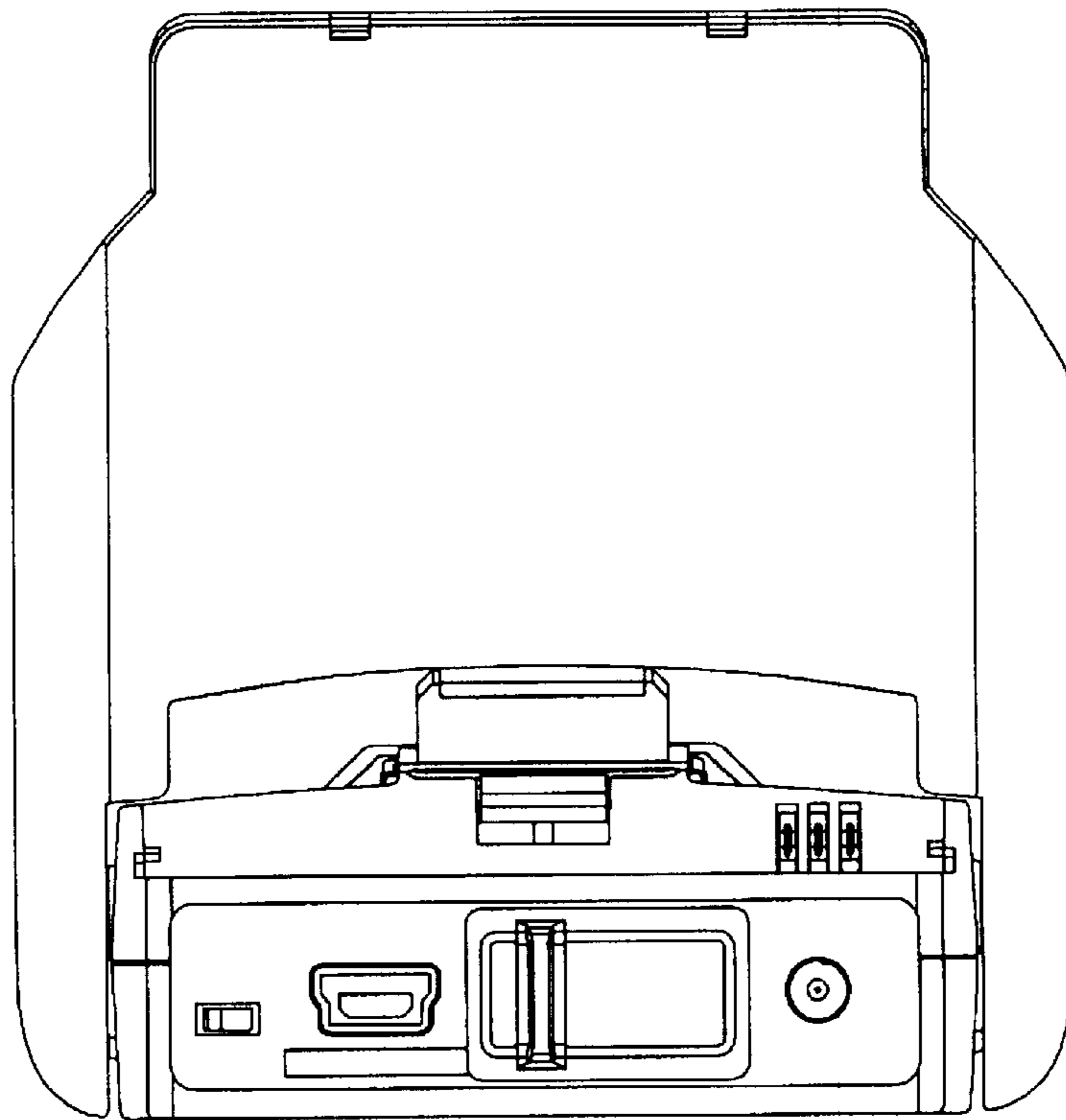


FIG. 4

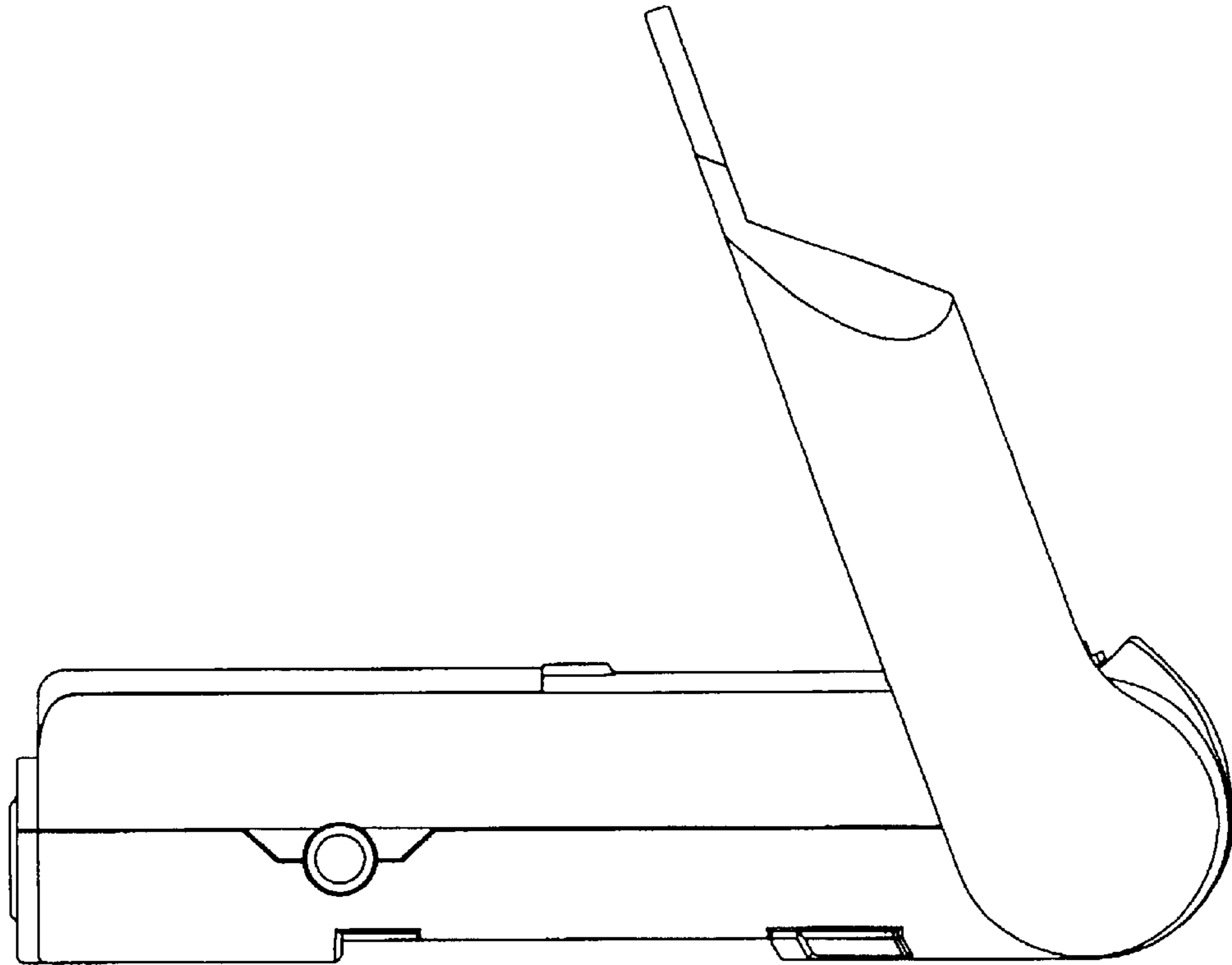


FIG. 5

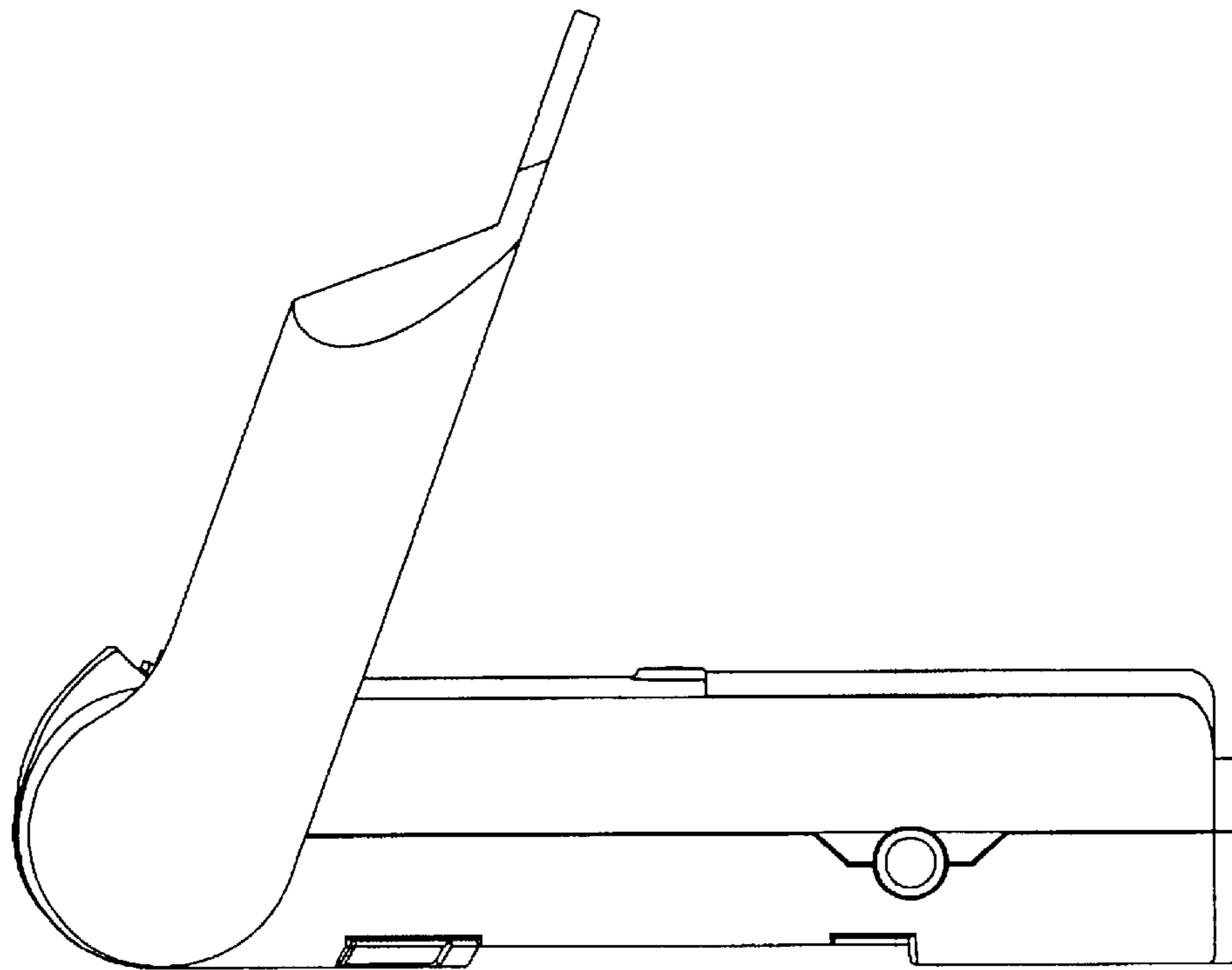


FIG. 6

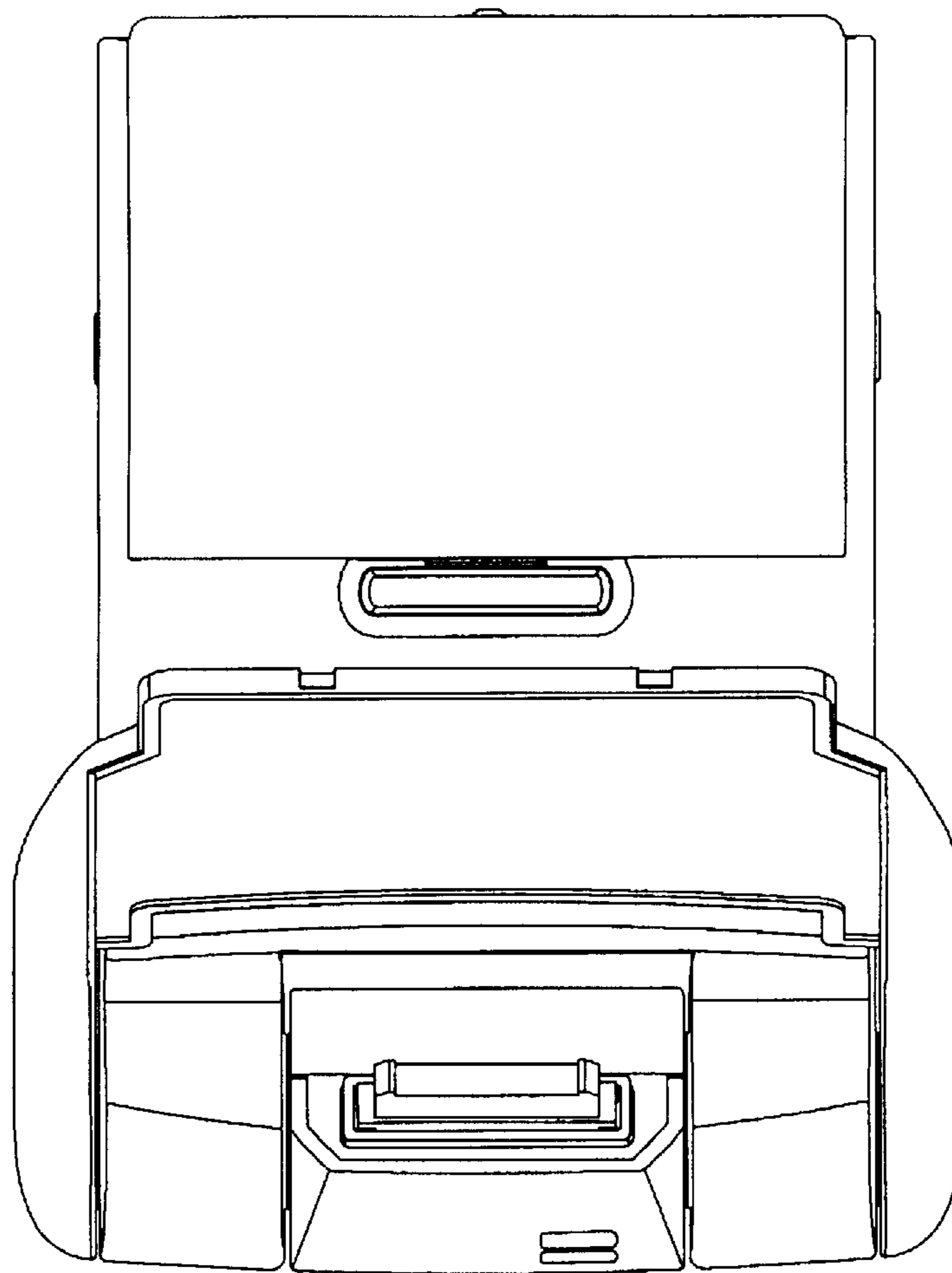


FIG. 7

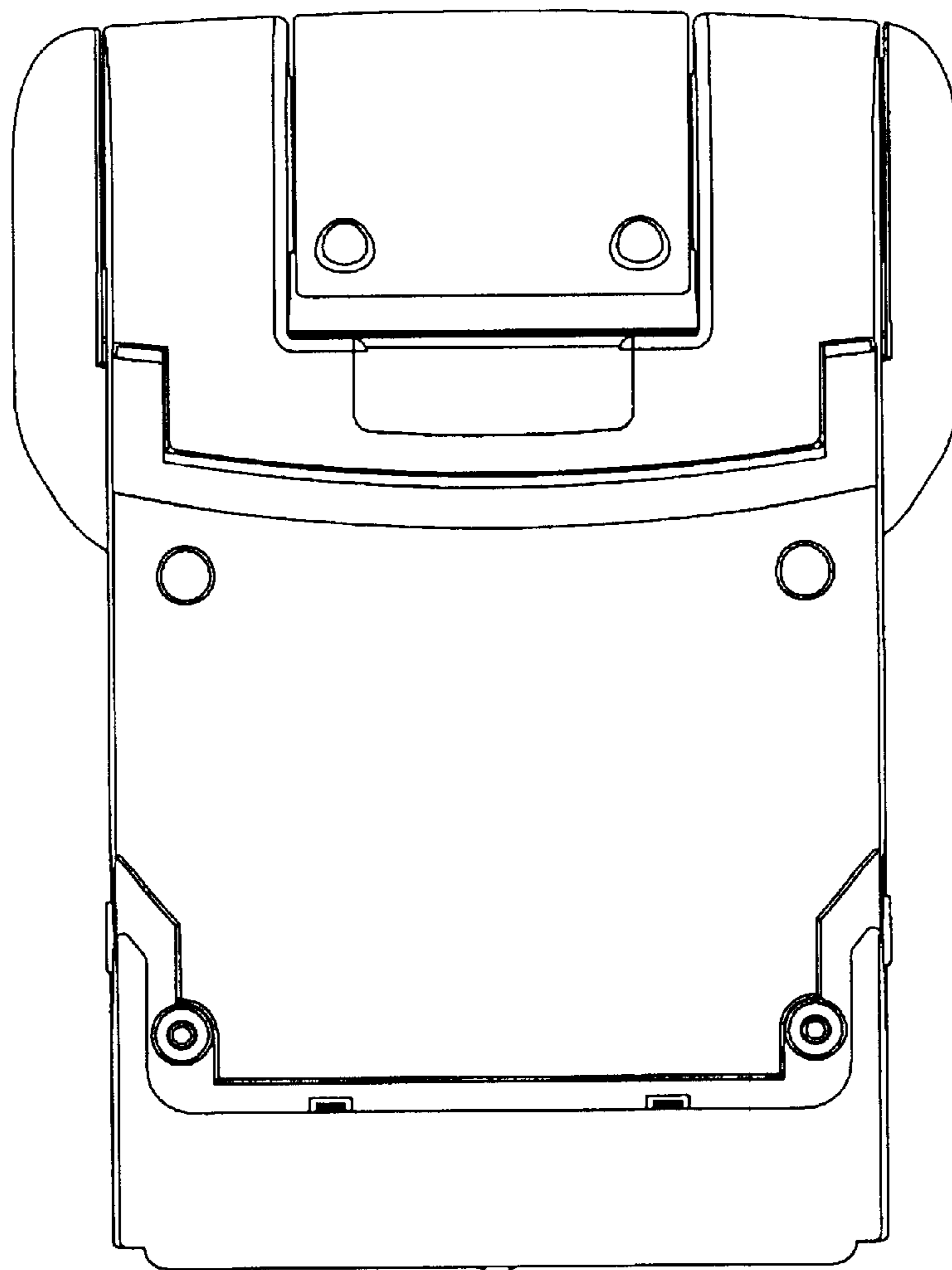


FIG. 8

