

US00D520006S

(12) **United States Design Patent**
Chen et al.

(10) **Patent No.:** **US D520,006 S**

(45) **Date of Patent:** **** May 2, 2006**

(54) **LCD MONITOR**

(75) Inventors: **Chang-Jung Chen**, Taipei (TW);
Chia-Chuan Lin, Banchiau (TW)

(73) Assignee: **Benq Corporation**, Taoyuan (TW)

(**) Term: **14 Years**

(21) Appl. No.: **29/231,673**

(22) Filed: **Jun. 8, 2005**

(30) **Foreign Application Priority Data**

Dec. 23, 2004 (TW) 93308060

(51) **LOC (8) Cl.** **14-02**

(52) **U.S. Cl.** **D14/375**

(58) **Field of Classification Search** D14/371-375,
D14/125-129, 356; 349/1, 2, 11, 62; 341/12;
345/104, 156, 168, 173, 87, 1.1, 901-905;
348/180, 184, 325, 739; 248/586, 183.3,
248/917-924

See application file for complete search history.

(56) **References Cited**

U.S. PATENT DOCUMENTS

D294,262 S * 2/1988 Thies et al. D14/375

D428,415 S * 7/2000 Shibata D14/356

D432,101 S * 10/2000 Oba D14/126
D433,021 S * 10/2000 Shibata D14/356
D453,022 S * 1/2002 Oba D14/374
D464,049 S * 10/2002 Goto D14/374
D467,920 S * 12/2002 Chen et al. D14/375
D488,139 S * 4/2004 Takami et al. D14/126
D491,901 S * 6/2004 Chin et al. D14/126

* cited by examiner

Primary Examiner—Freda S. Nunn

(74) *Attorney, Agent, or Firm*—Thomas, Kayden,
Horstemeyer & Risley

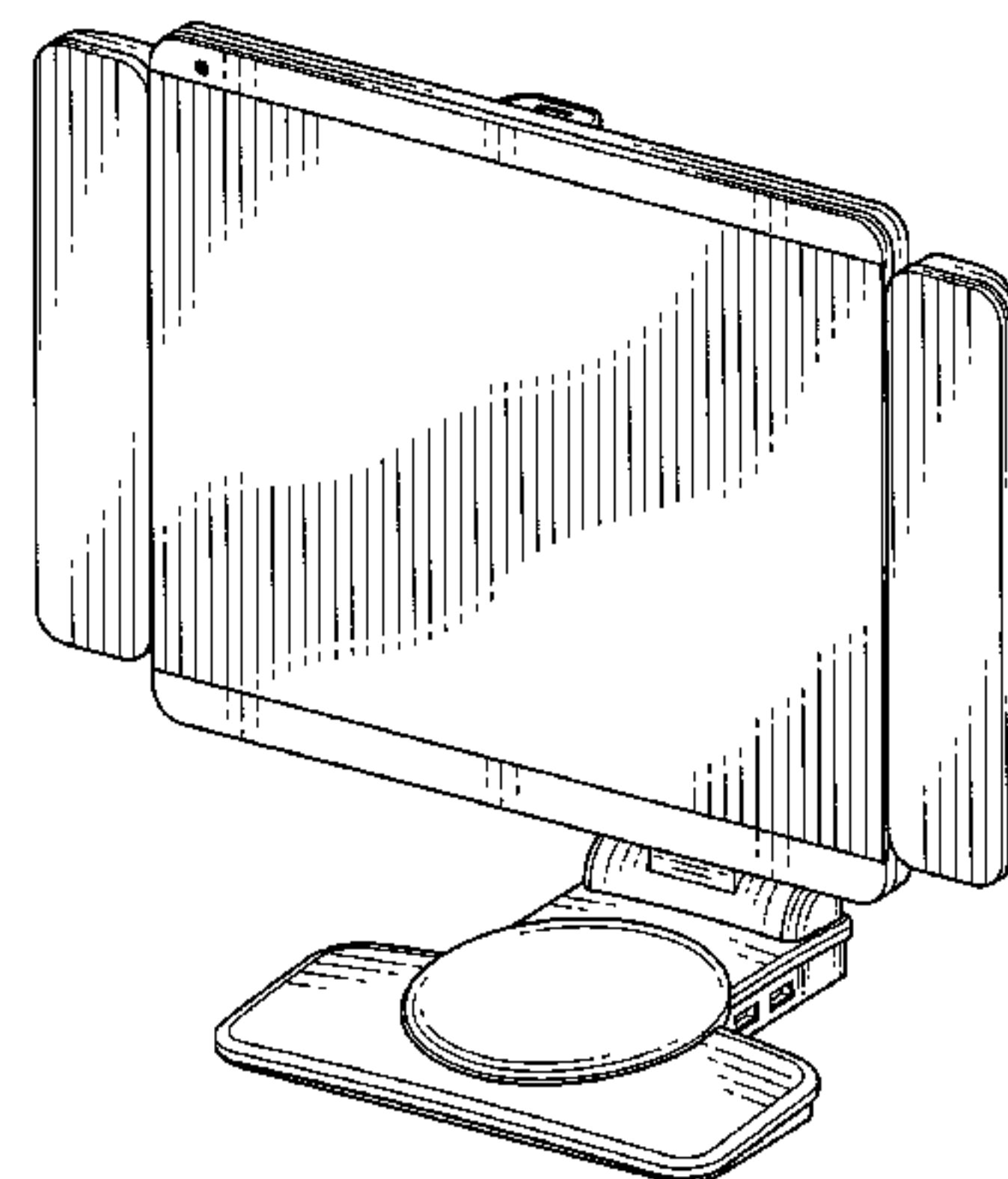
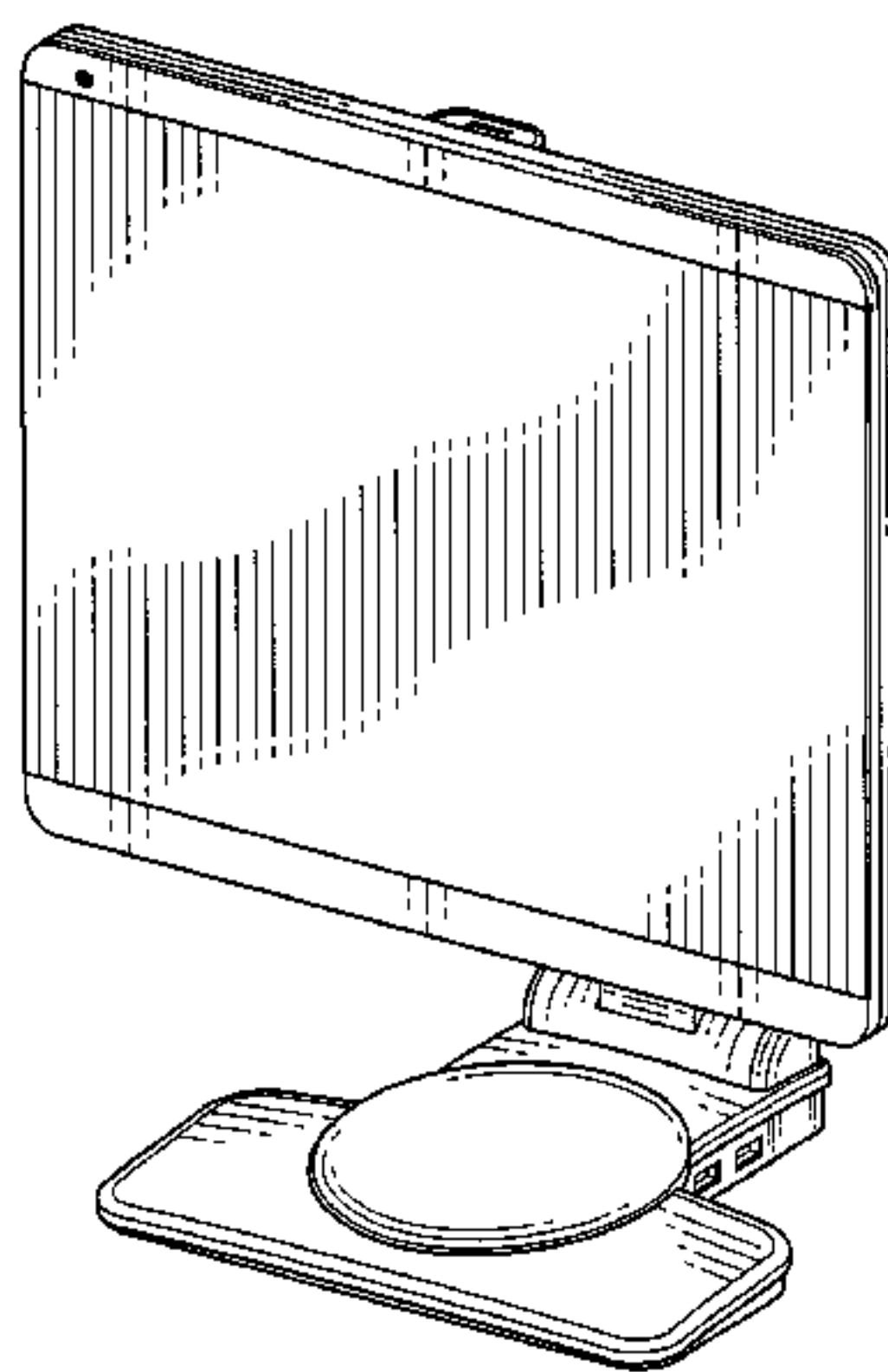
(57) **CLAIM**

The ornamental design for a LCD monitor, as shown and described.

DESCRIPTION

FIG. 1 is a perspective view thereof;
FIG. 2 is a front elevational view thereof;
FIG. 3 is a rear elevational view thereof;
FIG. 4 is a left side elevational view thereof;
FIG. 5 is a right side elevational view thereof;
FIG. 6 is a top plane view thereof;
FIG. 7 is a bottom plane view thereof;
FIG. 8 is a left perspective view thereof; and,
FIG. 9 is an alternate front perspective view thereof.

1 Claim, 9 Drawing Sheets



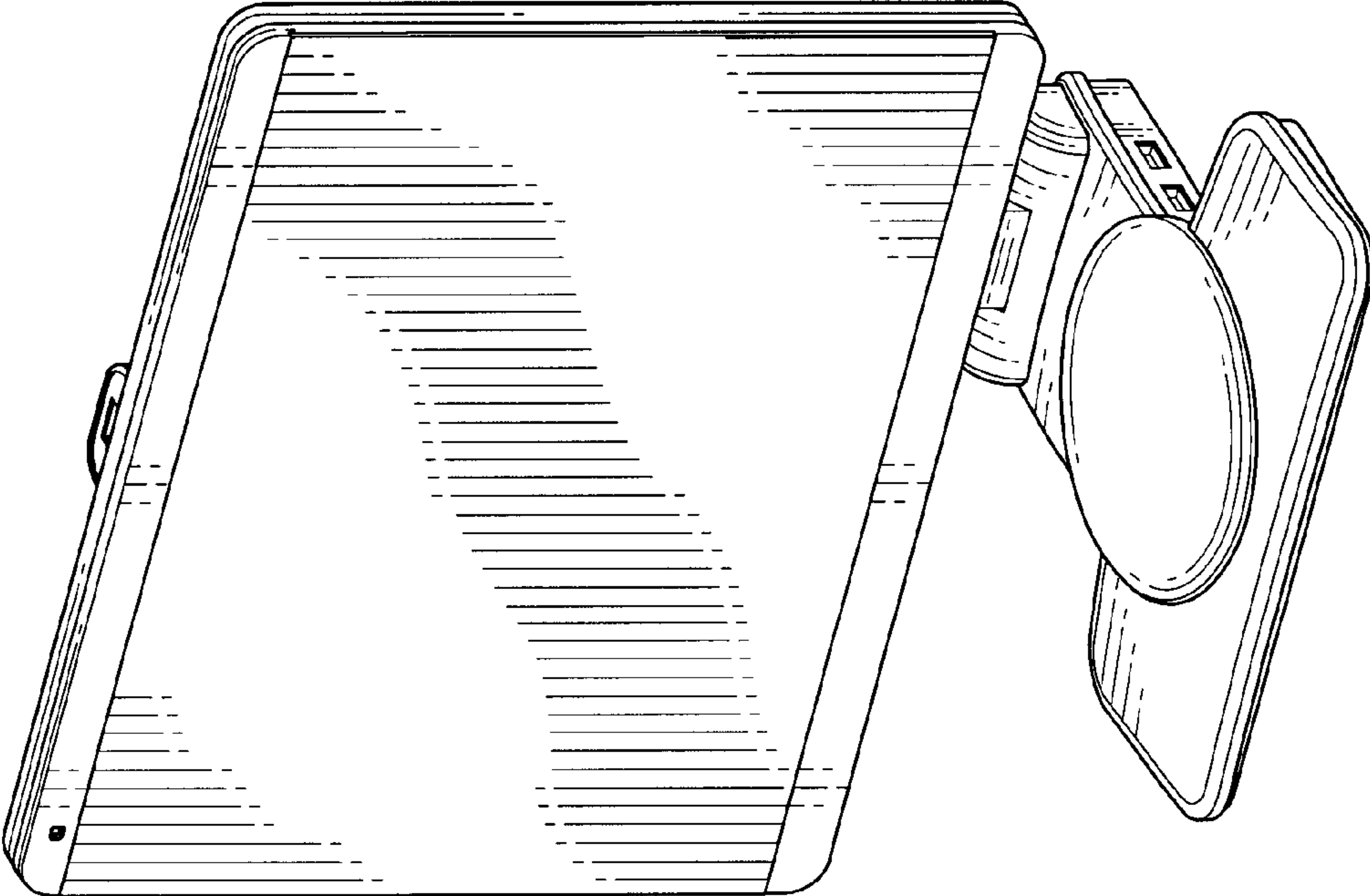


FIG. 1

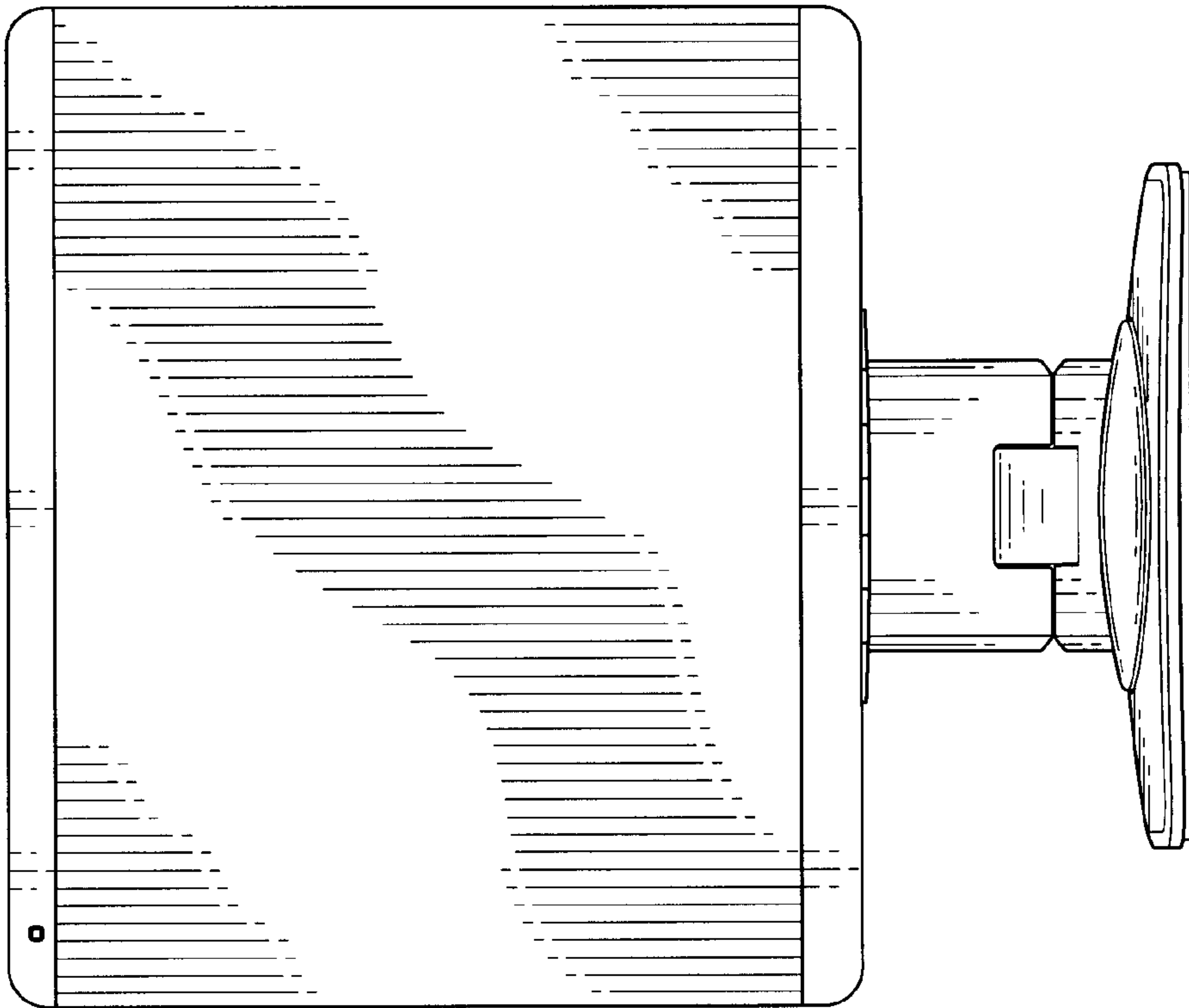


FIG. 2

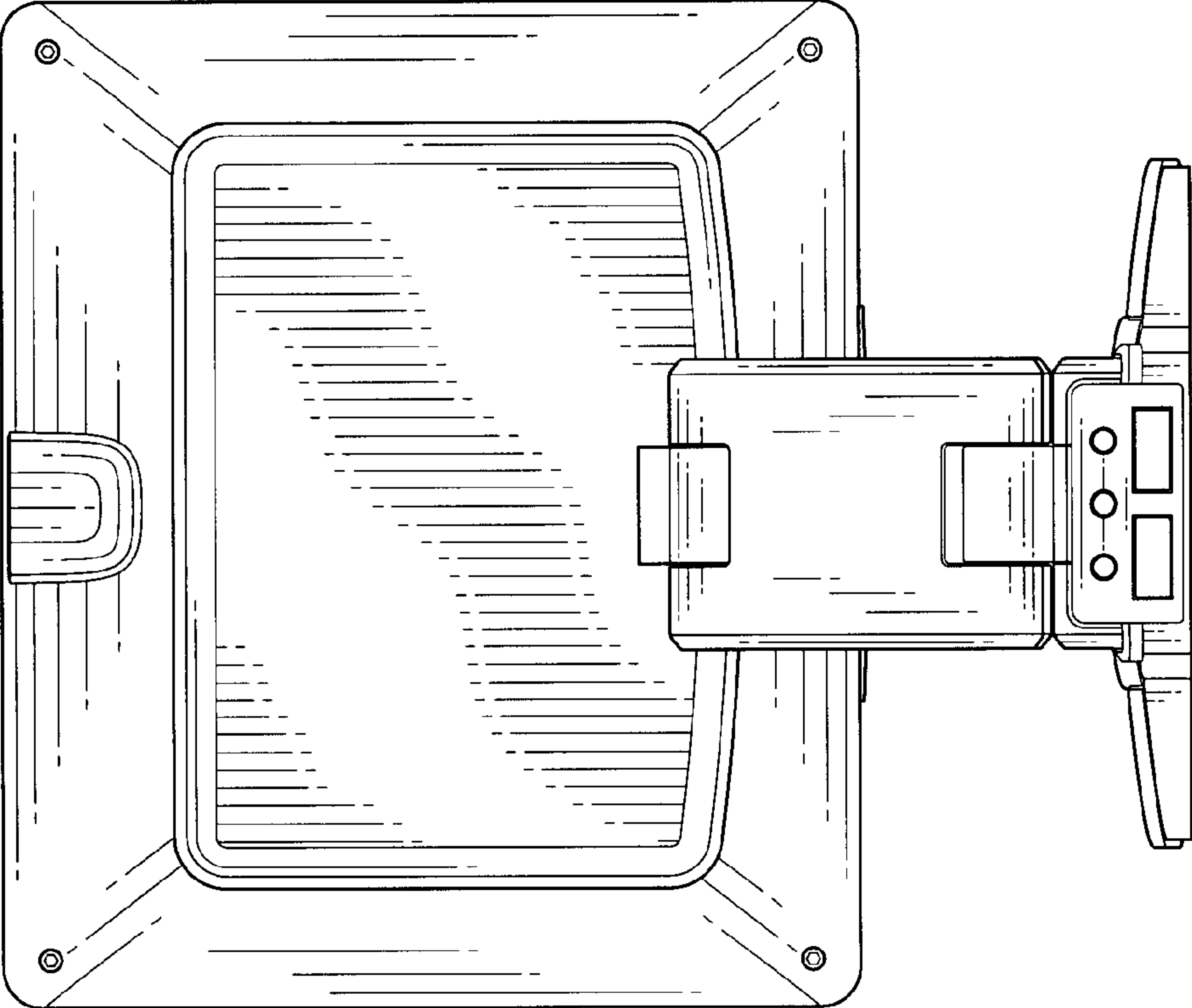


FIG. 3

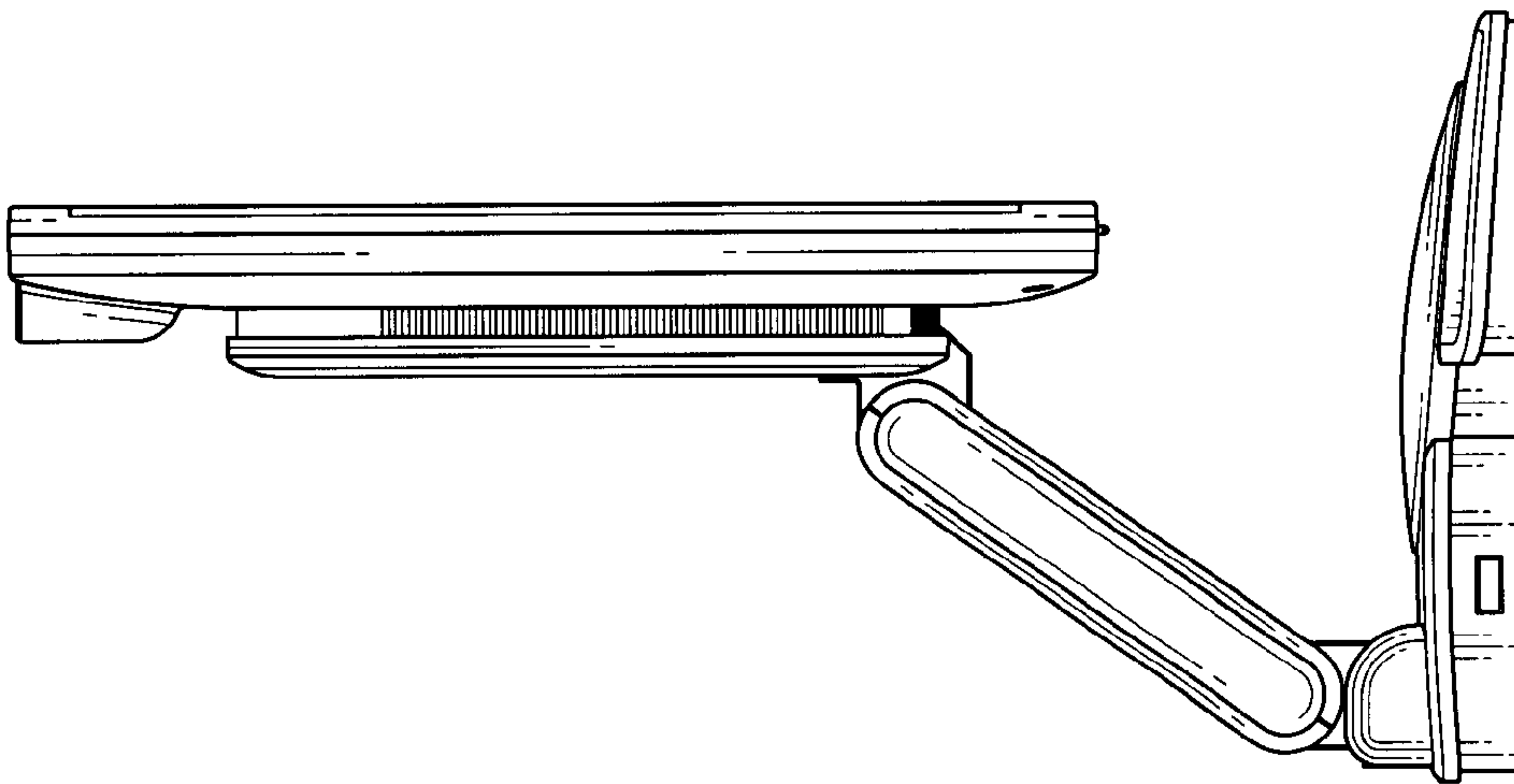


FIG. 4

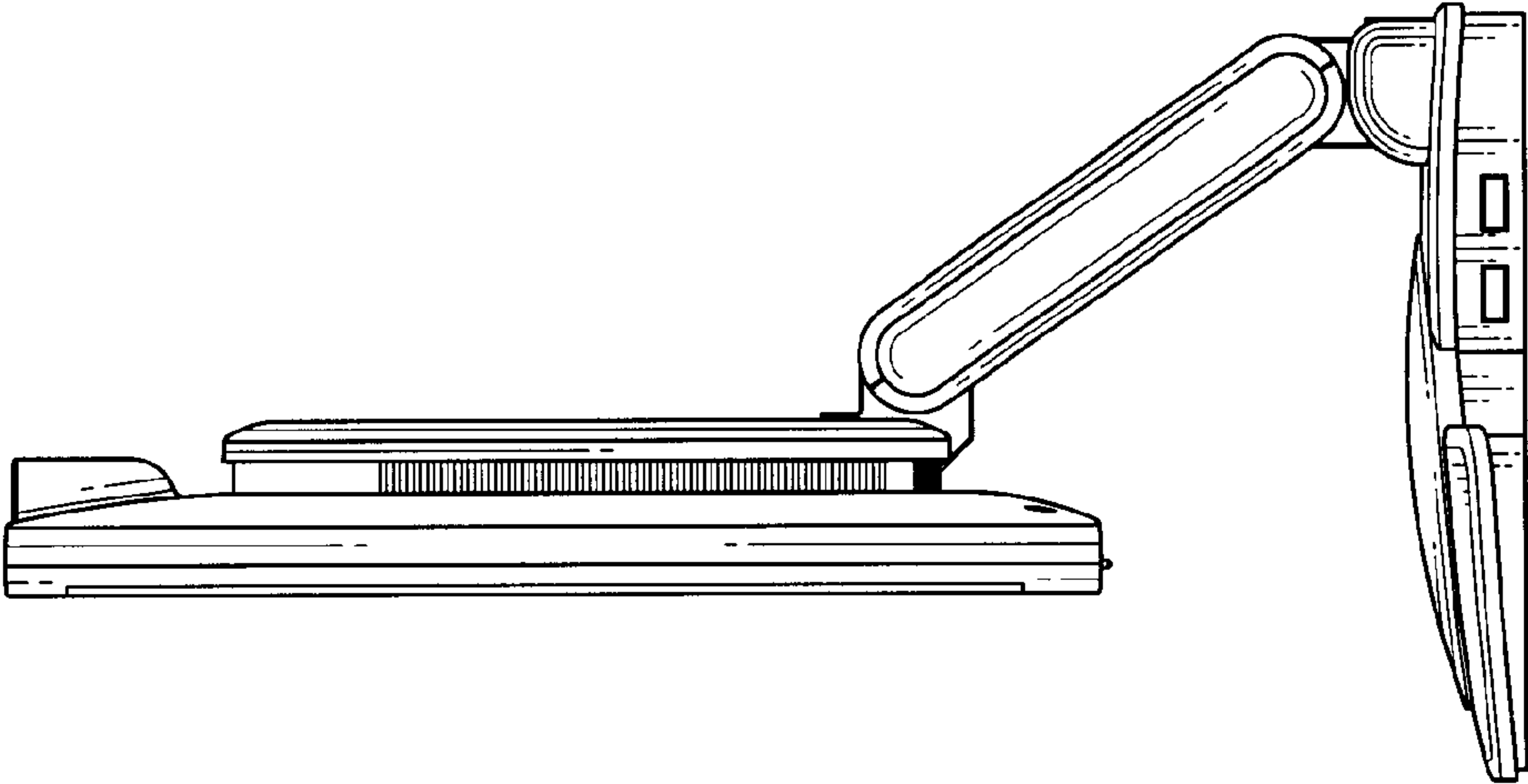


FIG. 5

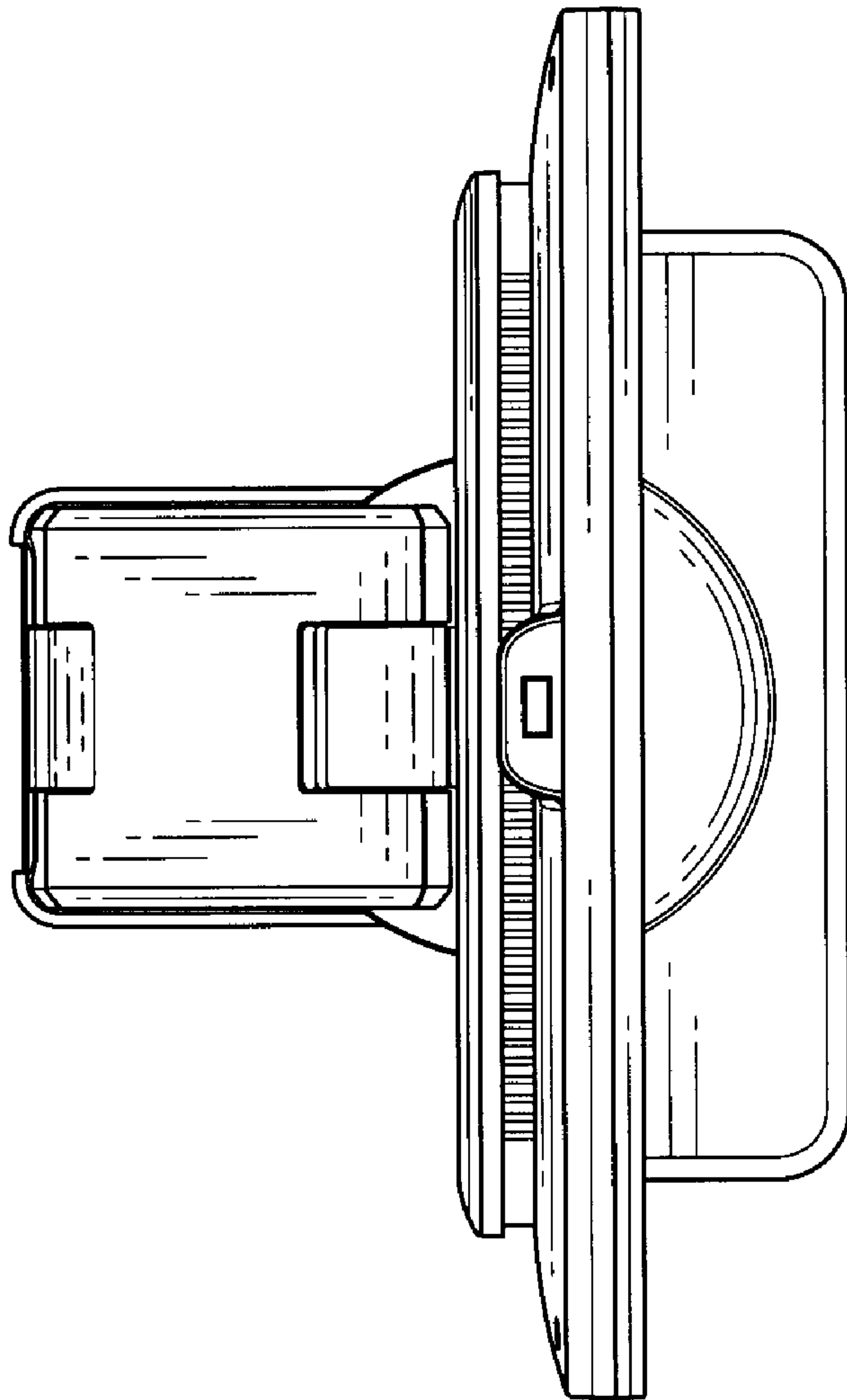


FIG. 6

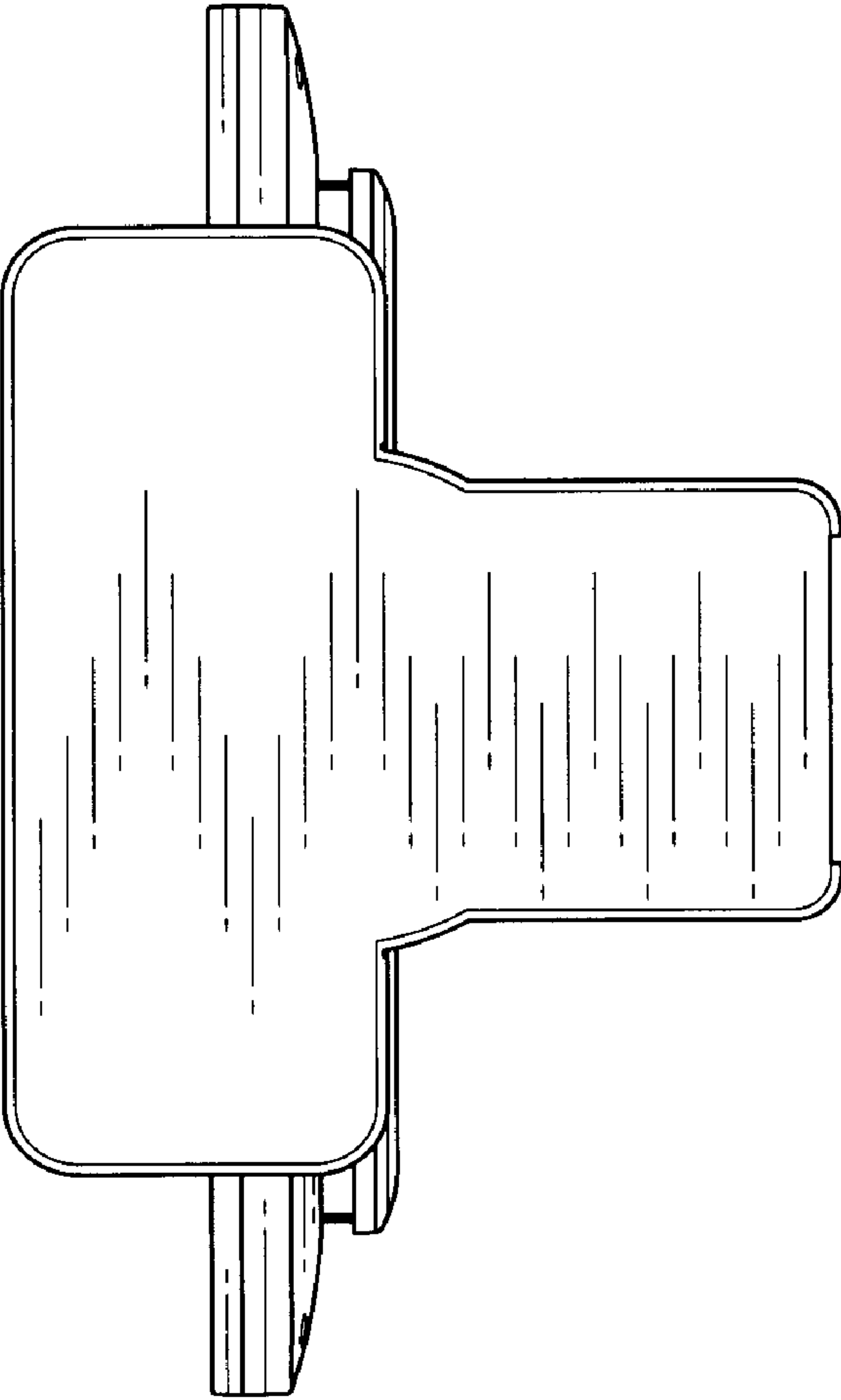


FIG. 7

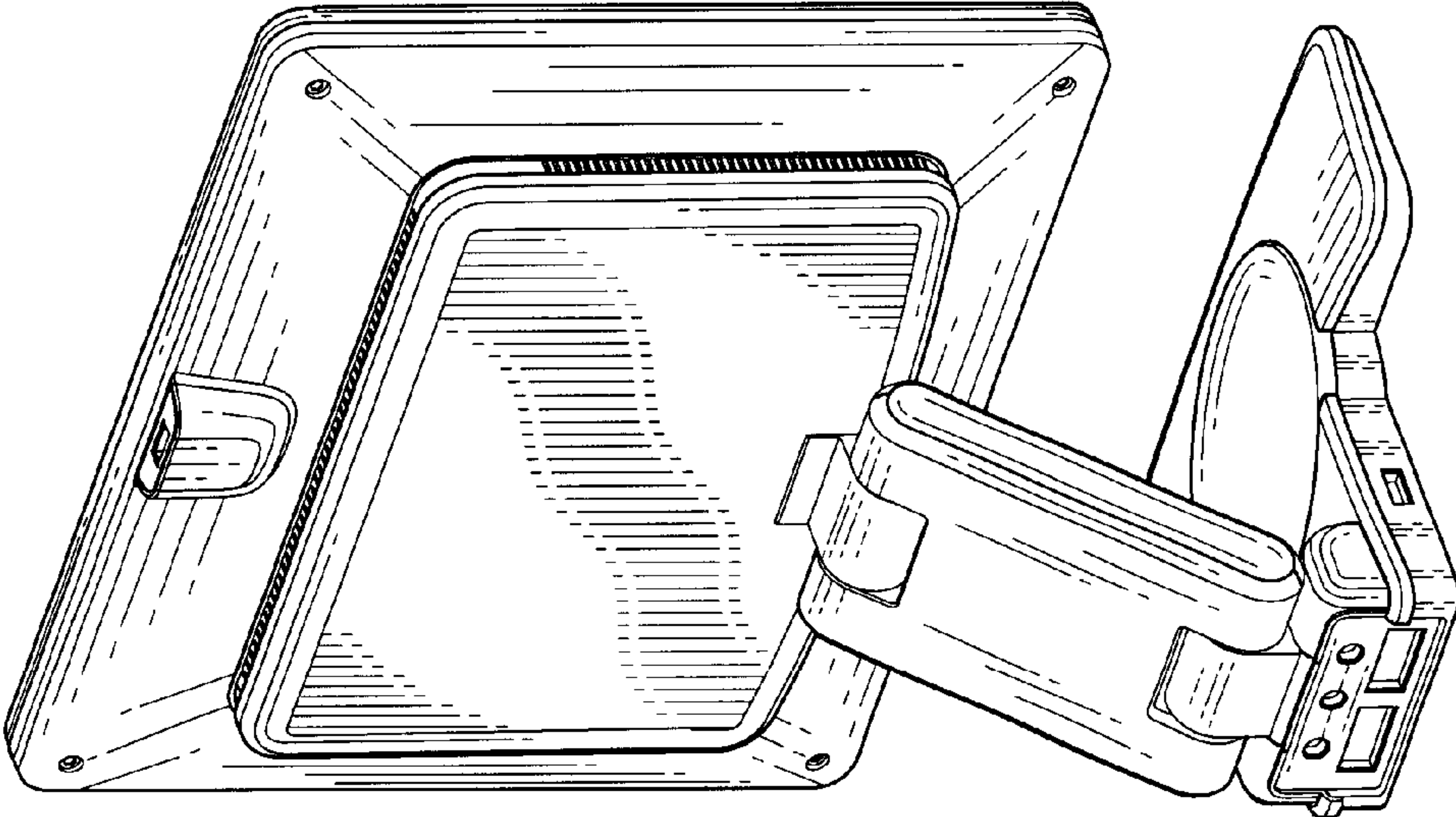


FIG. 8

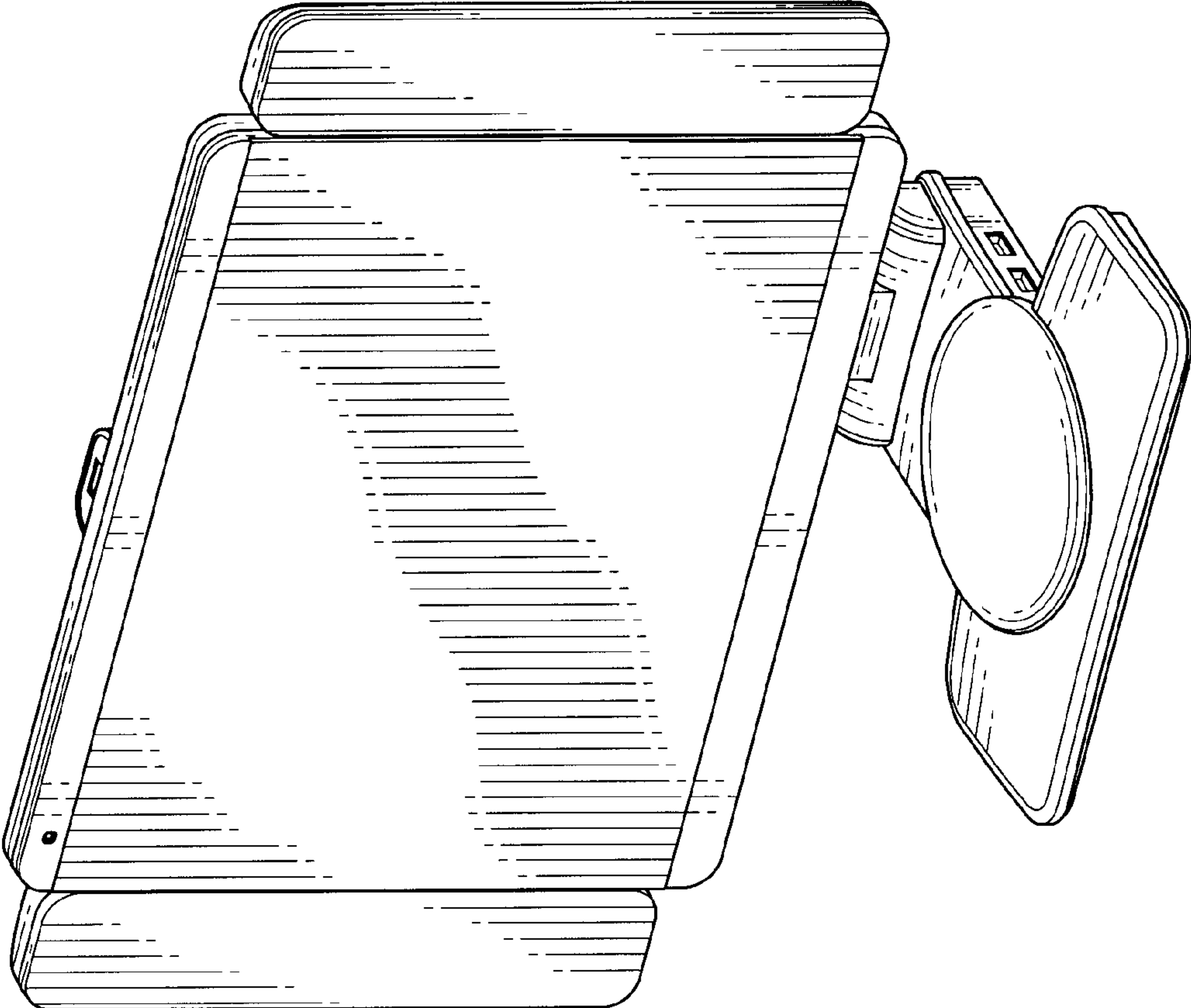


FIG. 9