



US00D520005S

(12) **United States Design Patent**
Depay

(10) **Patent No.:** **US D520,005 S**

(45) **Date of Patent:** **** May 2, 2006**

(54) **LCD MONITOR**

(75) **Inventor:** **Dean Depay**, San Jose, CA (US)

(73) **Assignee:** **Hewlett-Packard Development Company, L.P.**, Houston, TX (US)

(**) **Term:** **14 Years**

(21) **Appl. No.:** **29/226,162**

(22) **Filed:** **Mar. 23, 2005**

(51) **LOC (8) Cl.** **14-02**

(52) **U.S. Cl.** **D14/375**

(58) **Field of Classification Search** D14/371-375,
D14/125-129; 345/104, 156, 168, 173, 901-905;
348/180, 184, 325, 739; 248/917-924; 349/1,
349/2, 11, 62; 341/12
See application file for complete search history.

(56) **References Cited**

U.S. PATENT DOCUMENTS

D344,933 S	*	3/1994	Wiseman et al.	D14/375
D363,925 S	*	11/1995	Imai	D14/375
D489,721 S	*	5/2004	Peng et al.	D14/371
D496,046 S	*	9/2004	Lo	D14/375

* cited by examiner

Primary Examiner—Freda S. Nunn

(57) **CLAIM**

I claim the ornamental design for a LCD monitor, as shown and described.

DESCRIPTION

FIG. 1 is an right front perspective view of a design for a LCD monitor in accordance with a first embodiment, wherein the areas shown in broken lines are being depicted for illustrative purposes and do not form any part of the claimed design;

FIG. 2 is a right rear perspective view thereof, wherein the areas shown in broken lines are being depicted for illustrative purposes and do not form any part of the claimed design;

FIG. 3 is a front view thereof, wherein the areas shown in broken lines are being depicted for illustrative purposes and do not form any part of the claimed design;

FIG. 4 is a right side view thereof, wherein the areas shown in broken lines are being depicted for illustrative purposes and do not form any part of the claimed design;

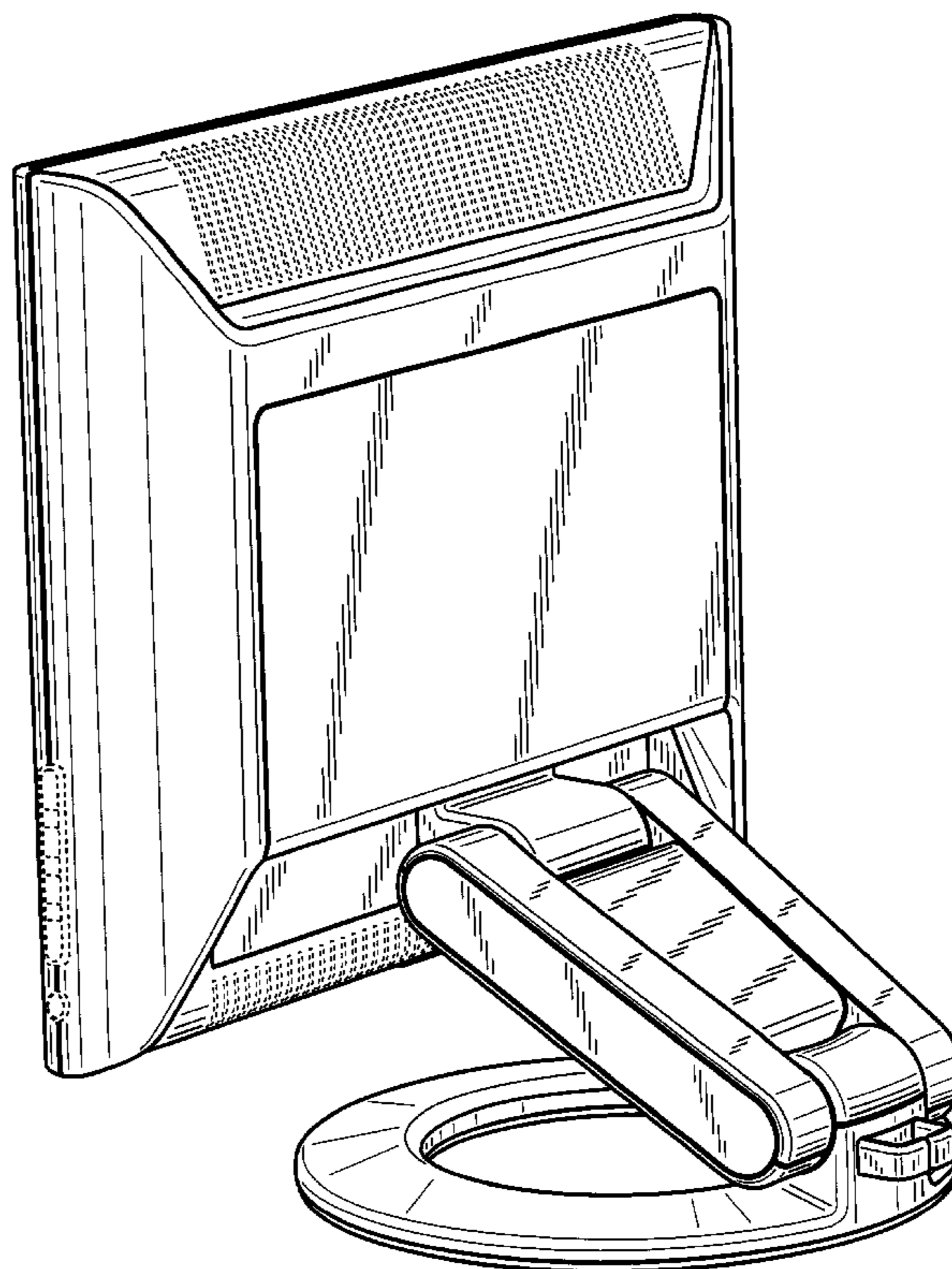
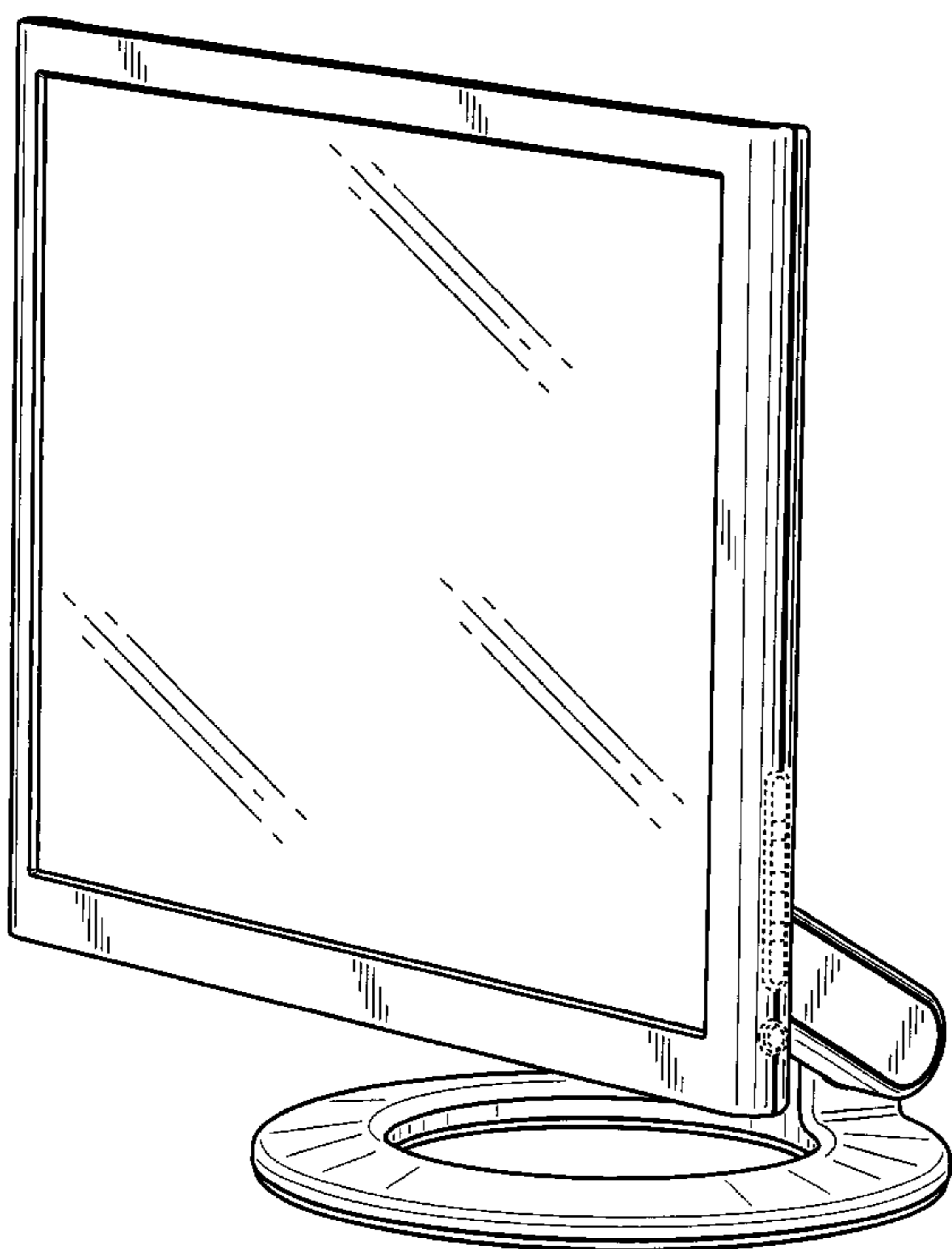
FIG. 5 is a rear view thereof, wherein the areas shown in broken lines are being depicted for illustrative purposes and do not form any part of the claimed design;

FIG. 6 is a left side view thereof;

FIG. 7 is a top view thereof, wherein the areas shown in broken lines are being depicted for illustrative purposes and do not form any part of the claimed design; and,

FIG. 8 is a bottom view thereof, wherein the areas shown in broken lines are being depicted for illustrative purposes and do not form any part of the claimed design.

1 Claim, 7 Drawing Sheets



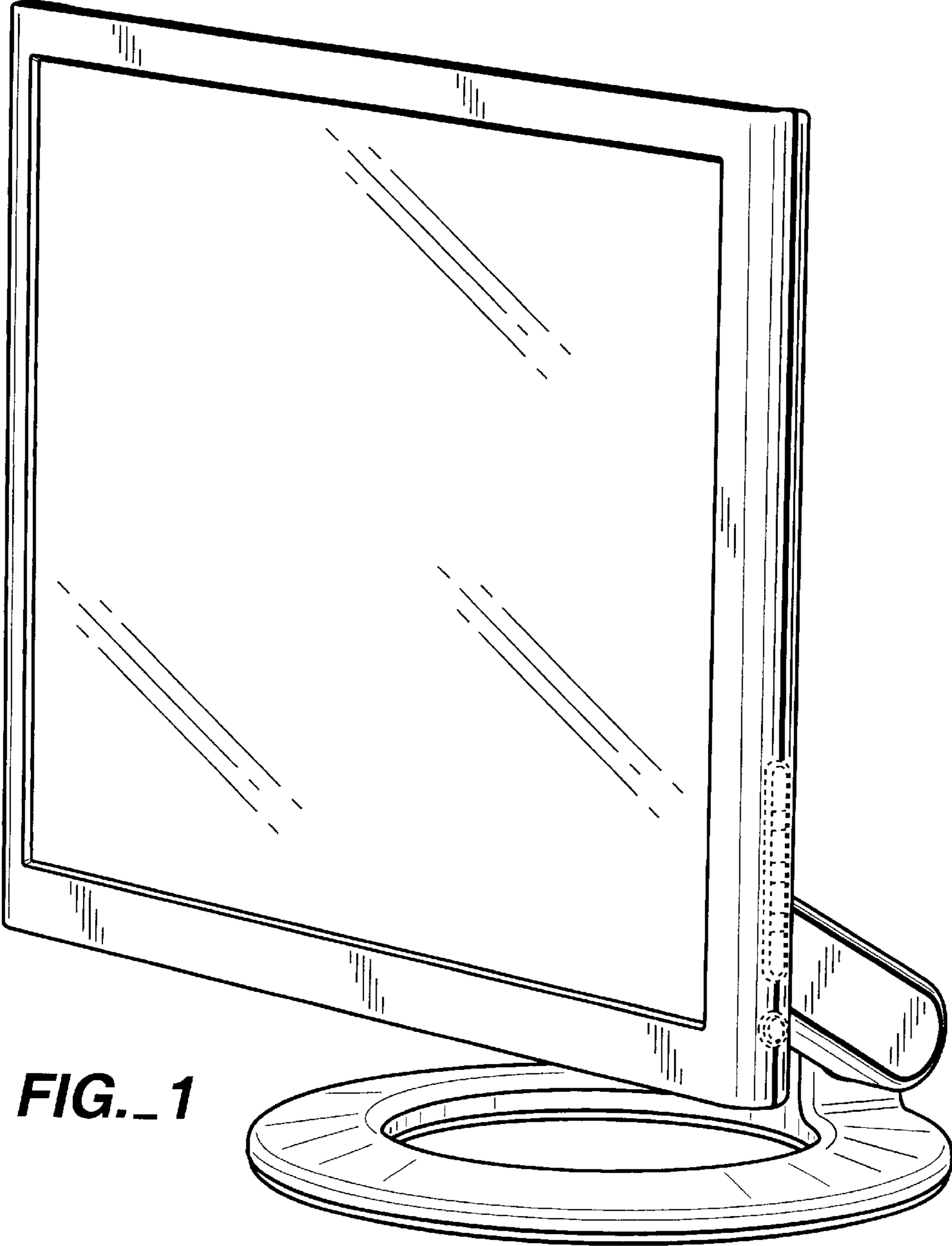


FIG. 1

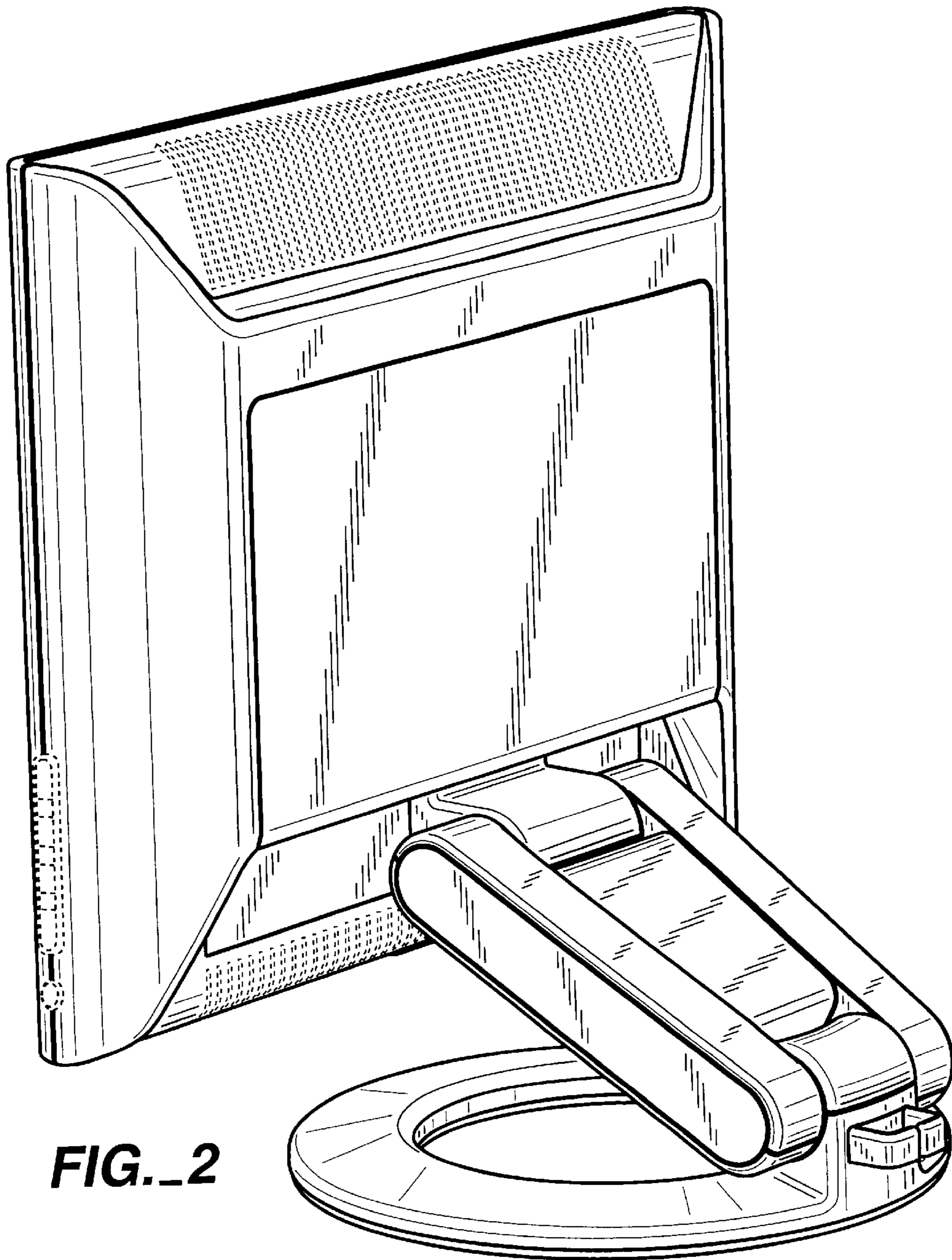


FIG. 2

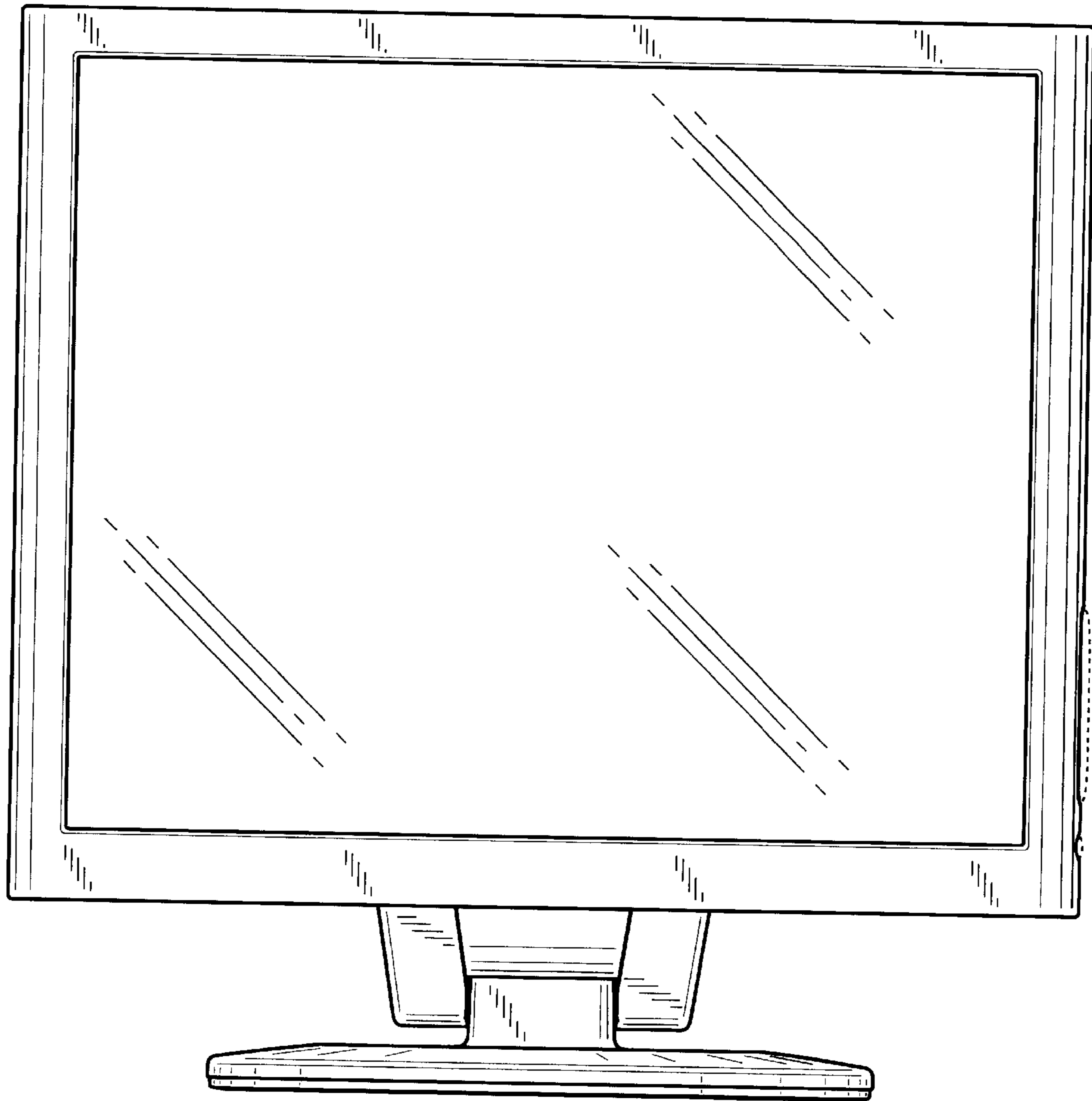


FIG._3

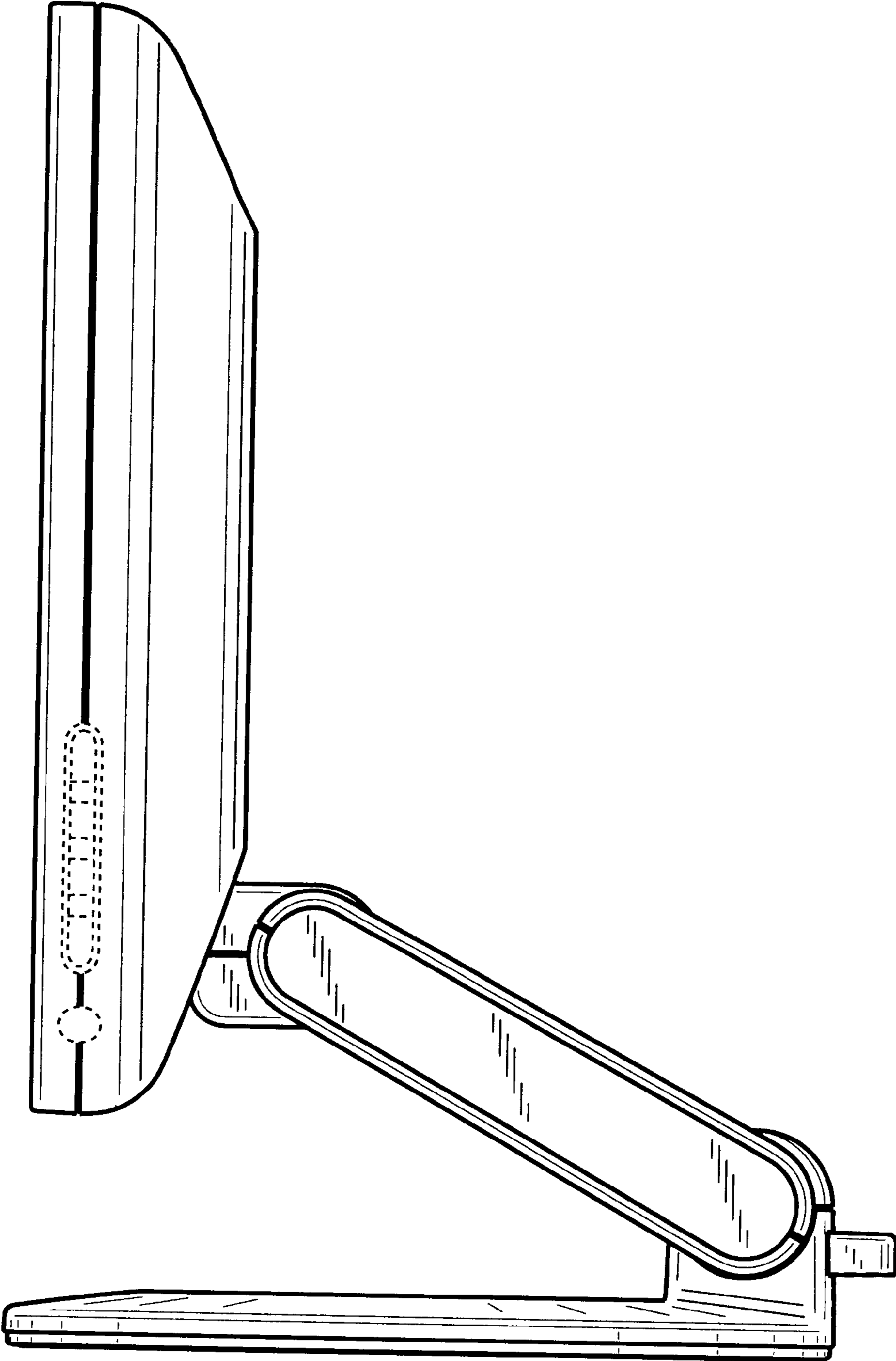


FIG. 4

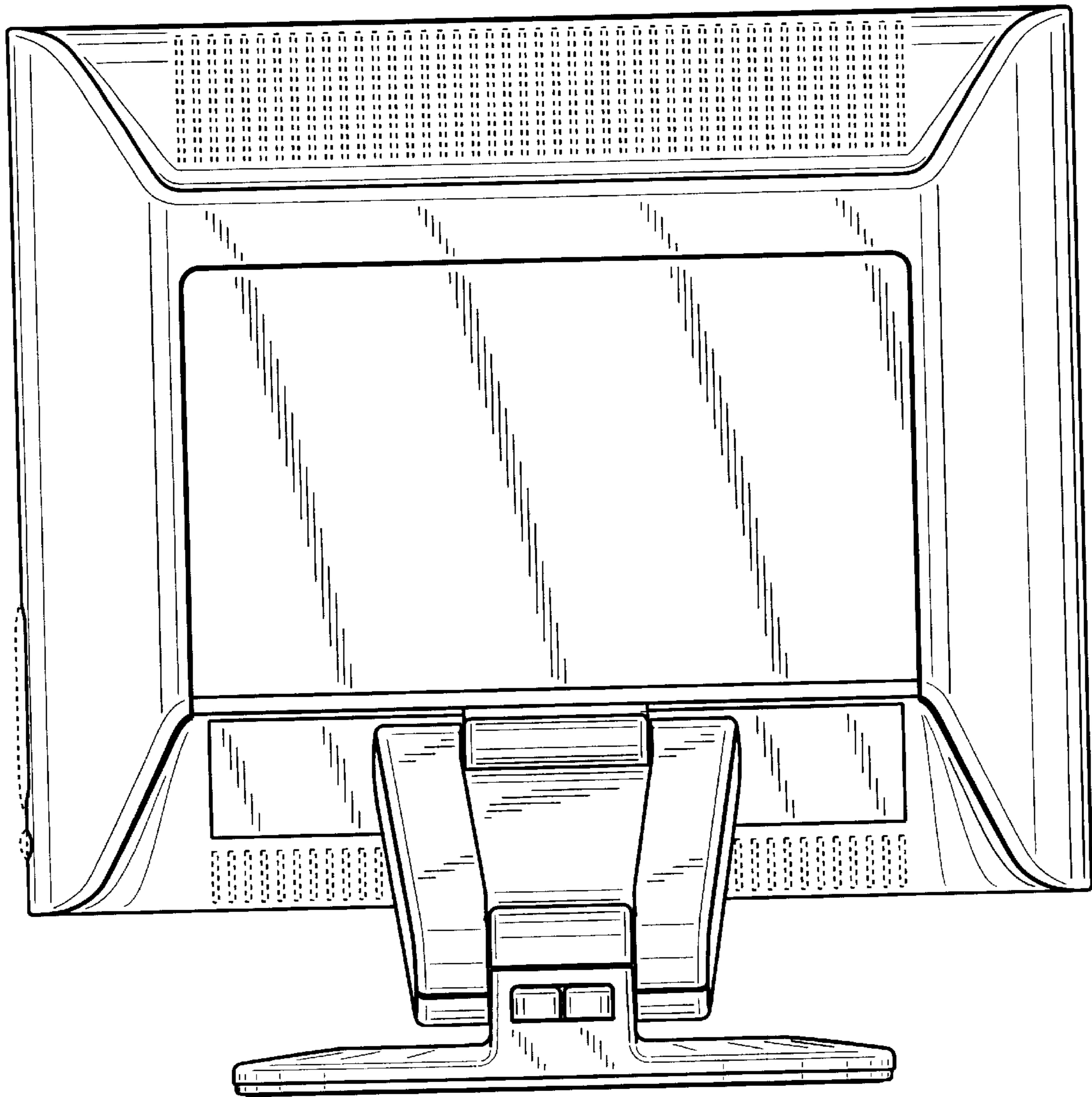


FIG. 5

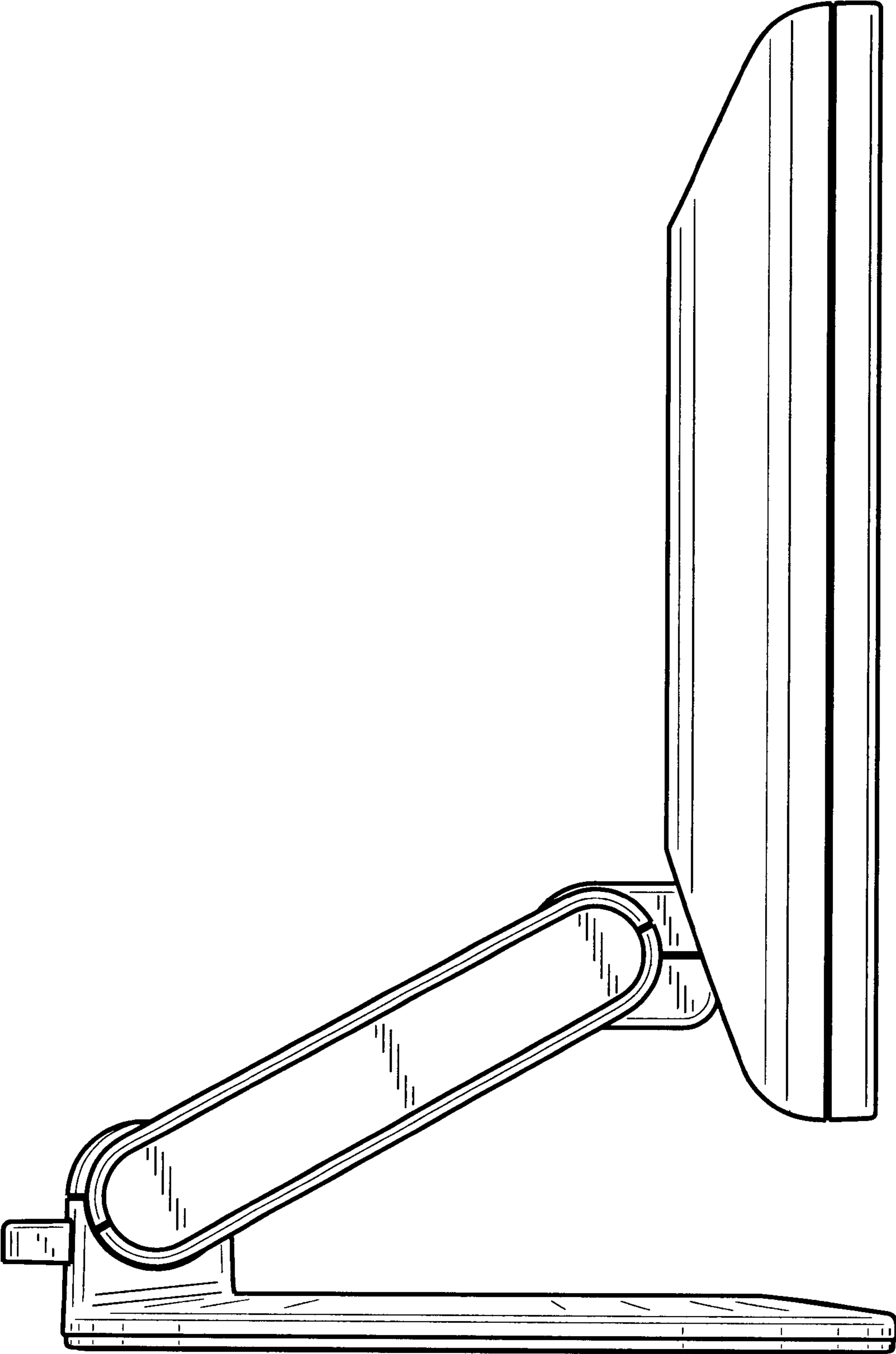


FIG. 6

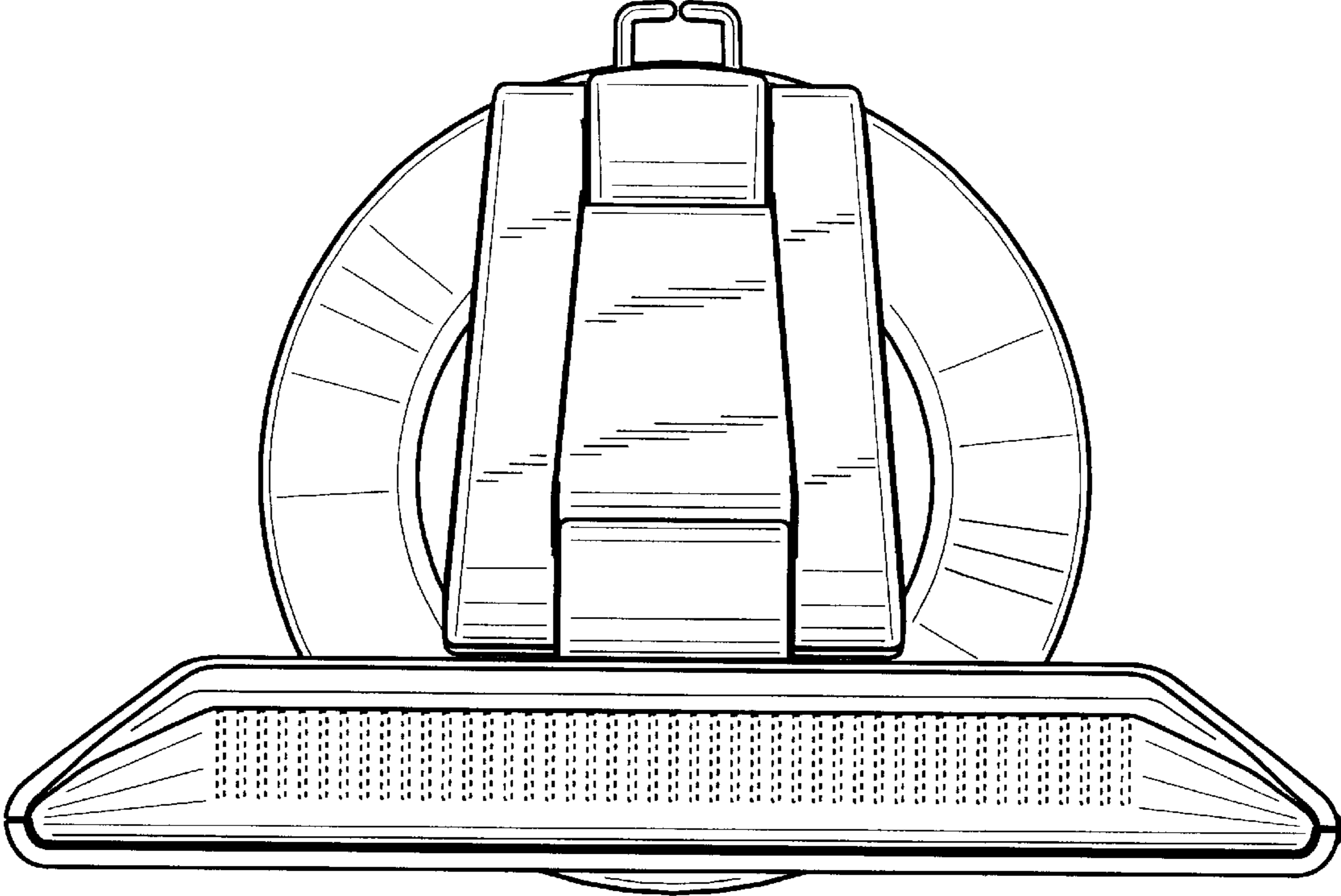


FIG. 7

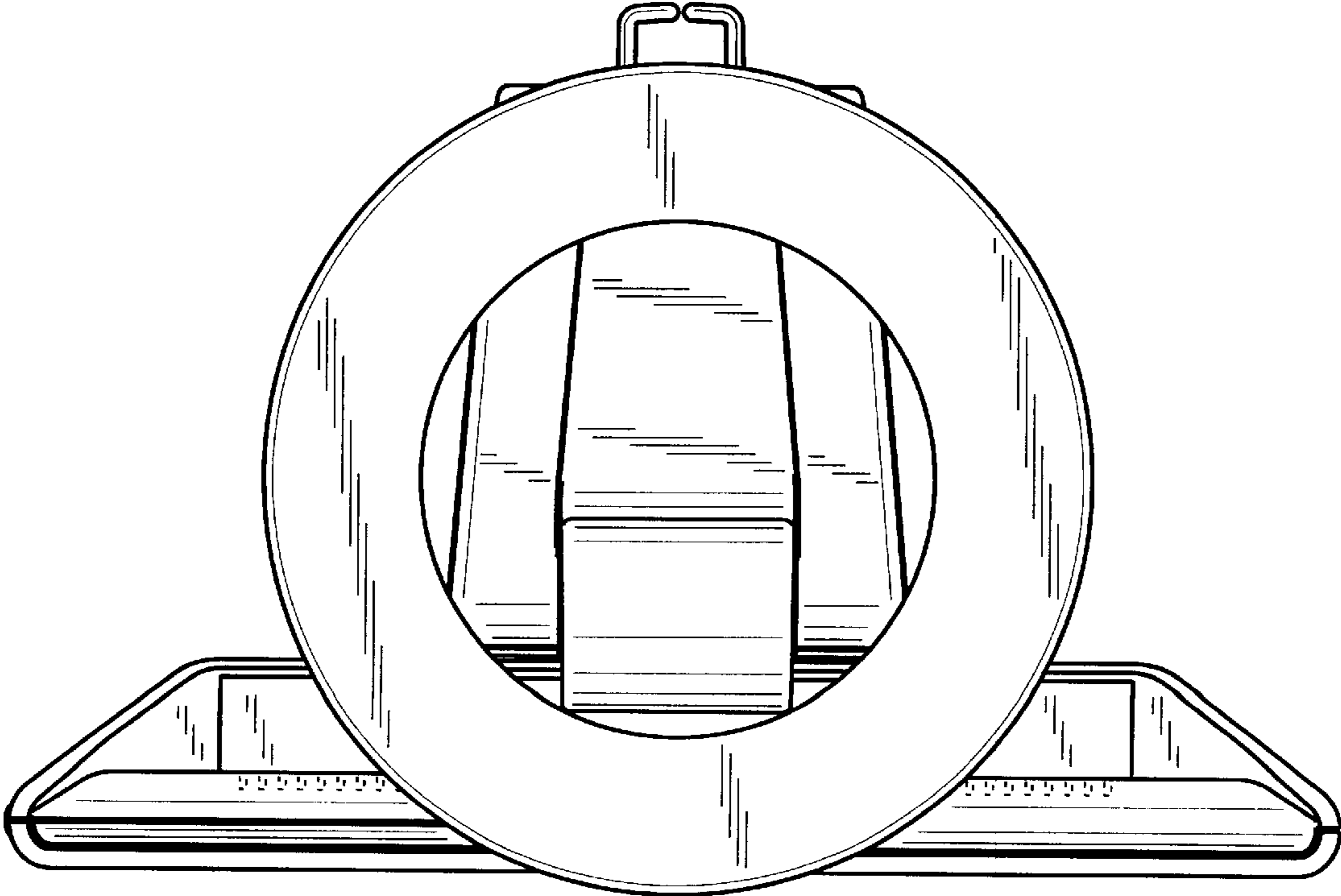


FIG. 8