

US00D520001S

(12) **United States Design Patent**
Katayama

(10) **Patent No.:** **US D520,001 S**

(45) **Date of Patent:** **** May 2, 2006**

(54) **IMAGE DATA WIRELESS TRANSMITTER**

(75) Inventor: **Noriko Katayama**, Tokyo (JP)

(73) Assignee: **Fuji Photo Film Co., Ltd.**, Kanagawa (JP)

(**) Term: **14 Years**

(21) Appl. No.: **29/222,335**

(22) Filed: **Jan. 31, 2005**

(30) **Foreign Application Priority Data**

Jul. 30, 2004 (JP) 2004-023047

(51) **LOC (8) Cl.** **14-02**

(52) **U.S. Cl.** **D14/358**

(58) **Field of Classification Search** 725/115,
725/117.1, 118, 123.1, 33-34, 147; D14/356,
D14/352, 300, 358, 299, 357, 240, 242, 432;
D18/56; 312/223.1, 352, 223.2; D13/162,
D13/184, 199, 147; 361/679, 683, 686, 724,
361/728; 455/69-74, 74.1, 554.2, 555, 557,
455/347, 67.11, 90.3, 91, 128, 552.1; D10/104;
174/50, 52.1, 59, 52.3; 358/1.15, 296, 401,
358/434, 439; 340/5.64; 379/419, 441, 428.01,
379/442; 385/134, 135; 439/709; 709/217,
709/219, 238, 200, 242; 382/239, 250

See application file for complete search history.

(56) **References Cited**

U.S. PATENT DOCUMENTS

D304,309 S	*	10/1989	Vories	D10/106
D332,443 S	*	1/1993	Sharpe	D13/184
D333,131 S	*	2/1993	Yamamoto	D14/357
D338,193 S	*	8/1993	Sasaki	D14/433
D339,807 S	*	9/1993	Tattari et al.	D14/240
D349,687 S	*	8/1994	Khoo et al.	D13/162
D350,544 S	*	9/1994	Sakuta et al.	D14/240
D358,380 S	*	5/1995	Sakaguchi	D14/357
D375,937 S	*	11/1996	Mergenthaler et al.	D13/110
D392,576 S	*	3/1998	Pun	D10/118
D393,644 S	*	4/1998	Cho et al.	D14/240

5,860,550 A	*	1/1999	Miller et al.	220/4.23
D405,424 S	*	2/1999	Winkler et al.	D13/168
D405,766 S	*	2/1999	Hartel et al.	D13/184
5,959,250 A	*	9/1999	Daoud	174/65 R
D415,133 S	*	10/1999	Mah	D14/432
D418,481 S	*	1/2000	Lin	D13/152
D431,485 S	*	10/2000	Huang	D10/104
D432,082 S	*	10/2000	Chang	D13/123
D436,932 S	*	1/2001	Roth et al.	D13/162
D450,686 S	*	11/2001	Beaumont et al.	D14/140.2
D452,241 S	*	12/2001	Kitajima et al.	D14/358
D454,873 S	*	3/2002	Clark et al.	D14/358
D463,912 S	*	10/2002	Liebe	D3/294
D464,623 S	*	10/2002	Pogagetz et al.	D13/123
6,510,226 B1	*	1/2003	Thomann et al.	379/413.04
D472,555 S	*	4/2003	Tomino	D14/433
D477,609 S	*	7/2003	Heath et al.	D14/496
D479,823 S	*	9/2003	Andre et al.	D13/110
D481,379 S	*	10/2003	Nagai et al.	D14/240
D481,387 S	*	10/2003	Poon	D14/356
D483,281 S	*	12/2003	Cobigo	D10/104

* cited by examiner

Primary Examiner—Alan P. Douglas

Assistant Examiner—Susan Moon Lee

(74) *Attorney, Agent, or Firm*—Young & Thompson

(57) **CLAIM**

The ornamental design for an image data wireless transmitter, as shown.

DESCRIPTION

FIG. 1 is a top, front and side perspective view of an image data wireless transmitter, showing my new design; FIG. 2 is a front elevational view thereof; FIG. 3 is a rear elevational view thereof; FIG. 4 is a top plan view thereof; FIG. 5 is a bottom plan view thereof; FIG. 6 is a side elevational view thereof from the left of FIG. 2; FIG. 7 is a side elevational view thereof from the right of FIG. 2; and, FIG. 8 is a top, rear and side perspective view thereof.

1 Claim, 4 Drawing Sheets

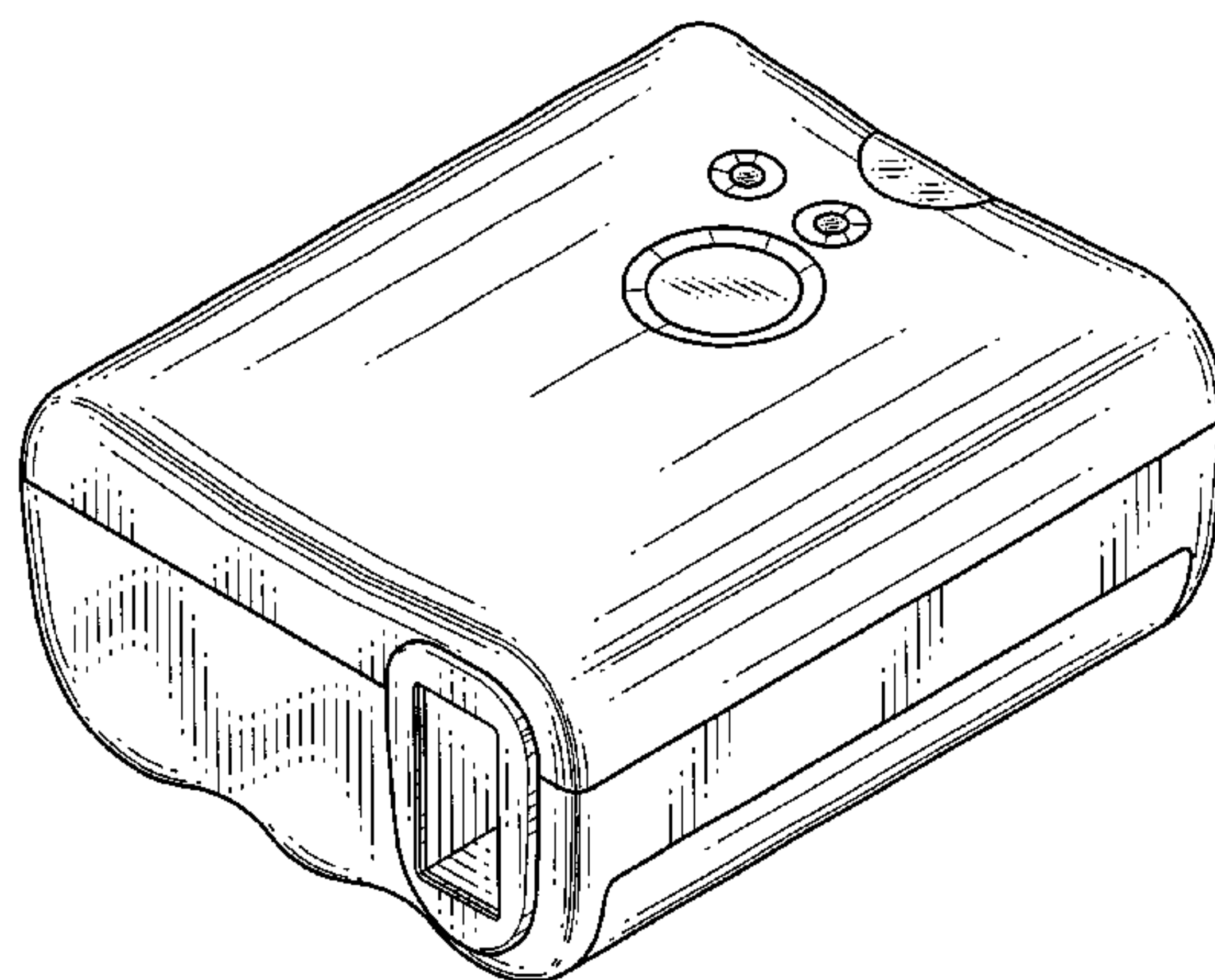


FIG.1

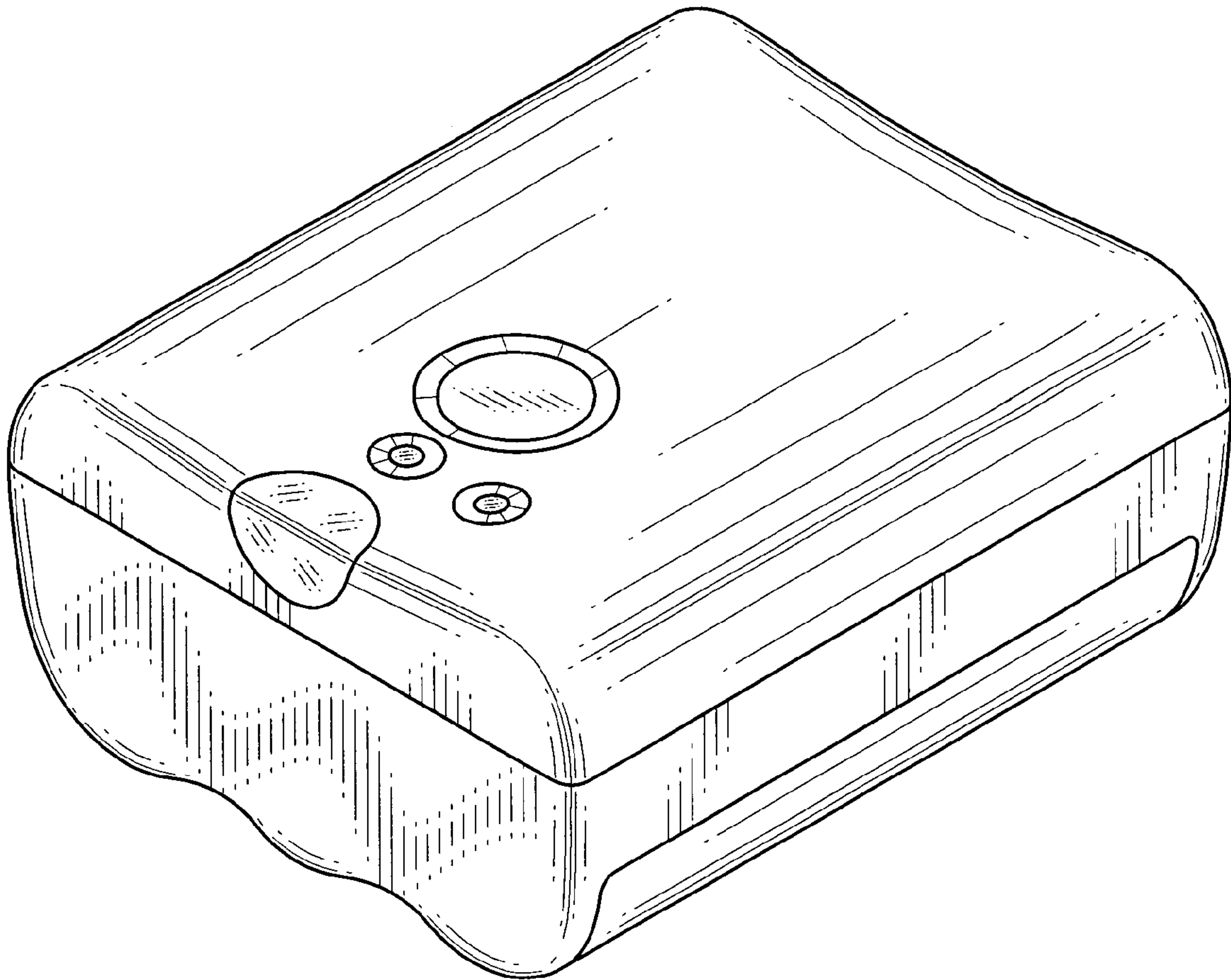


FIG.2

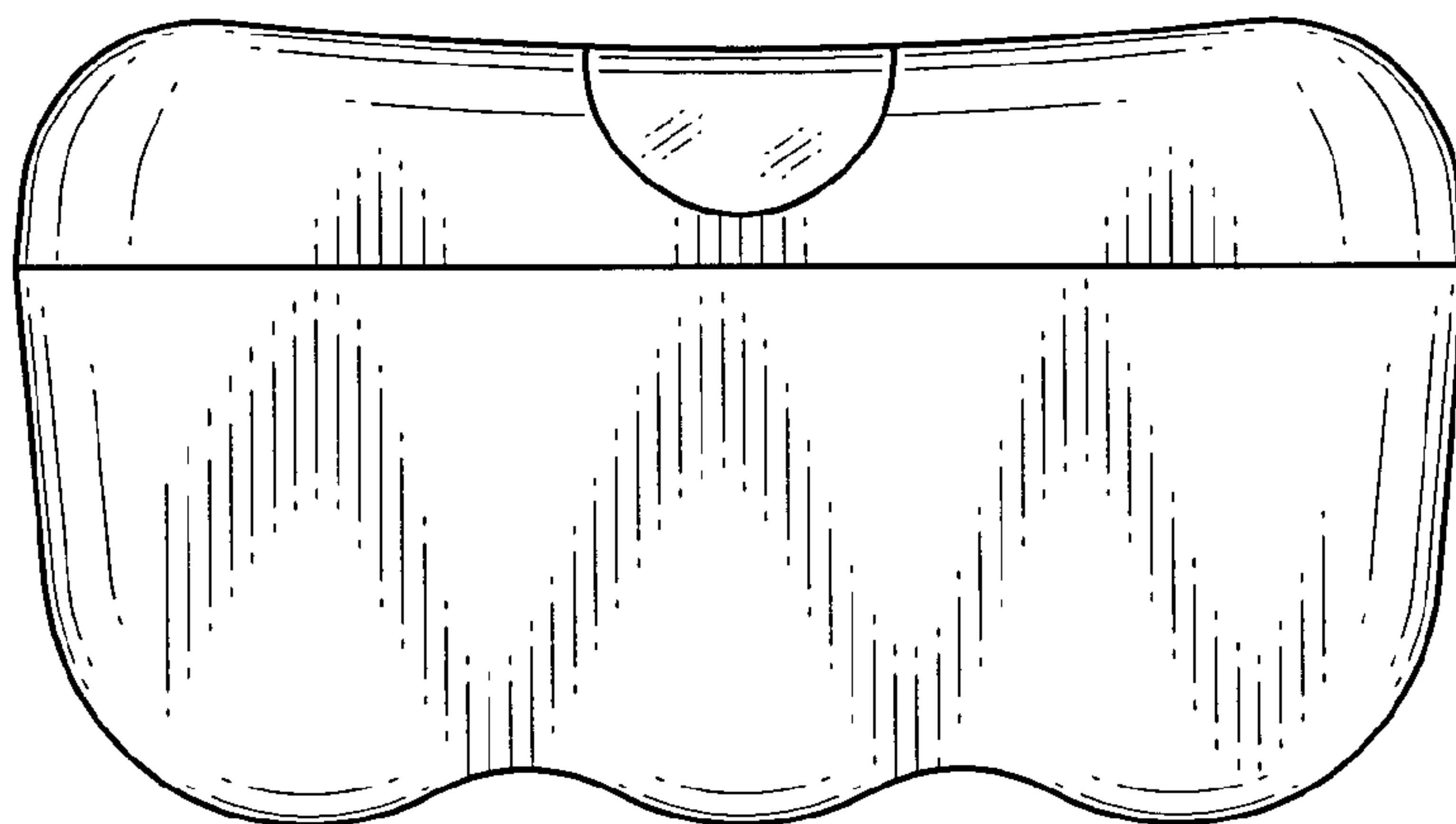


FIG.3

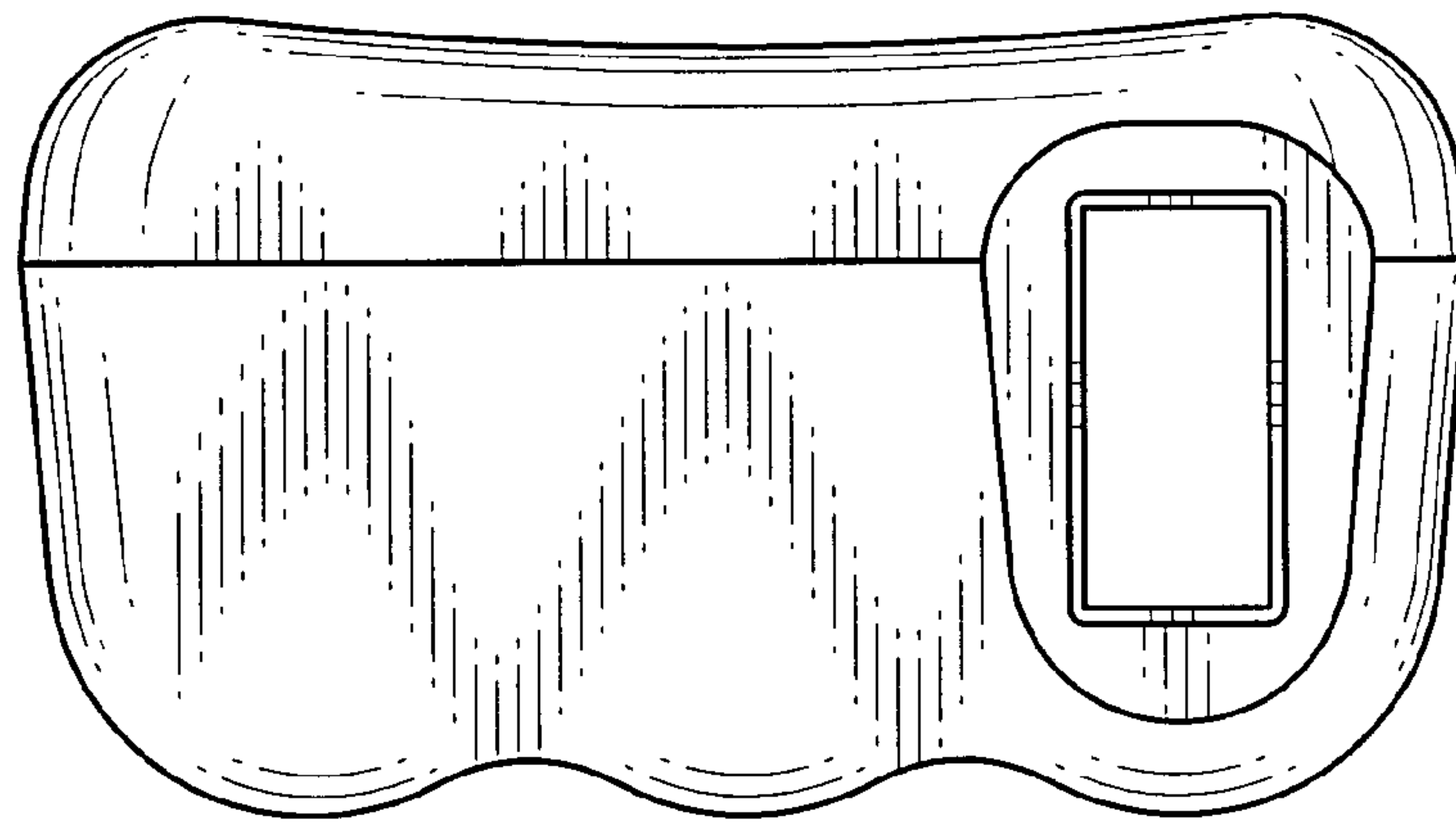


FIG.4

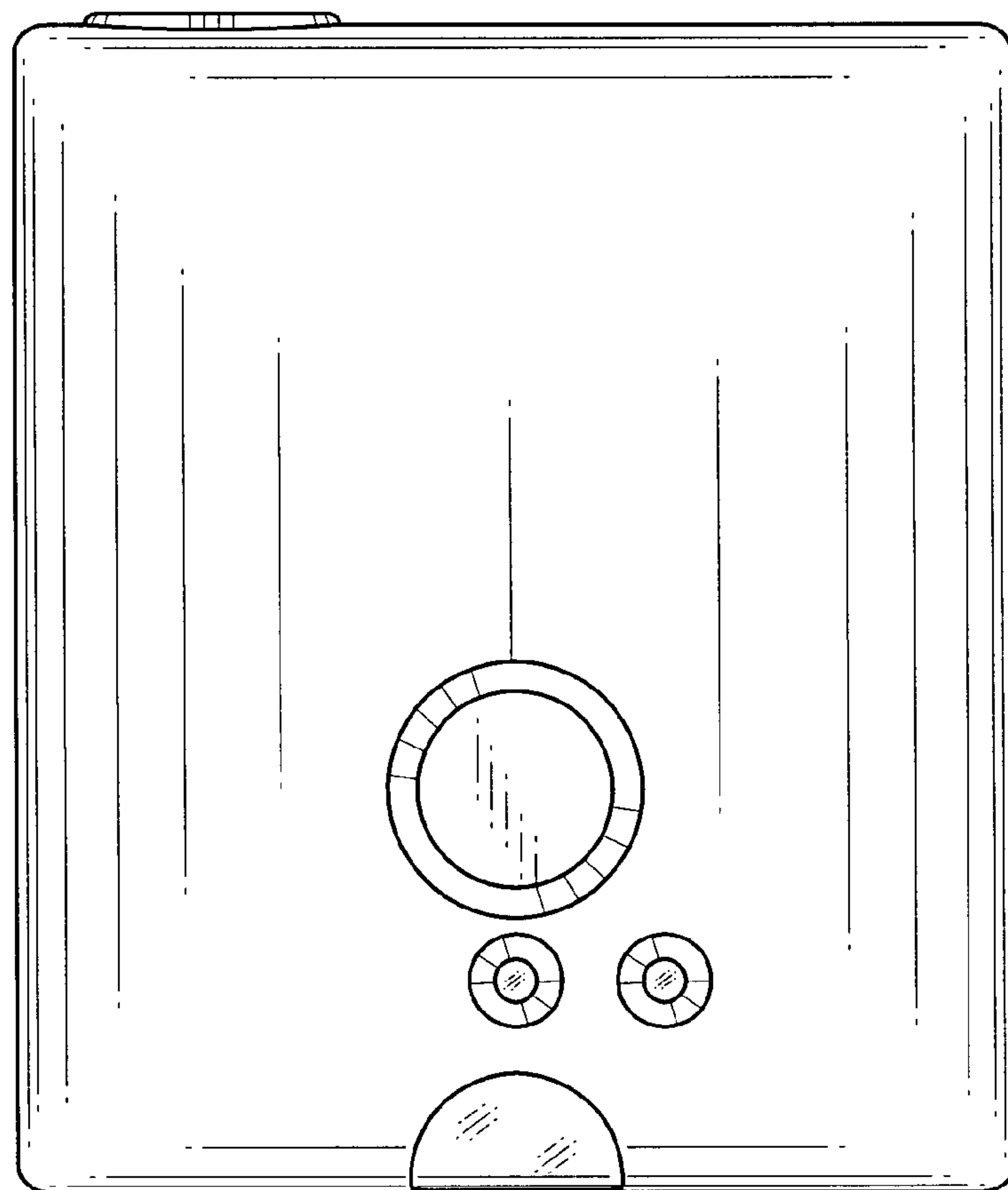


FIG.5

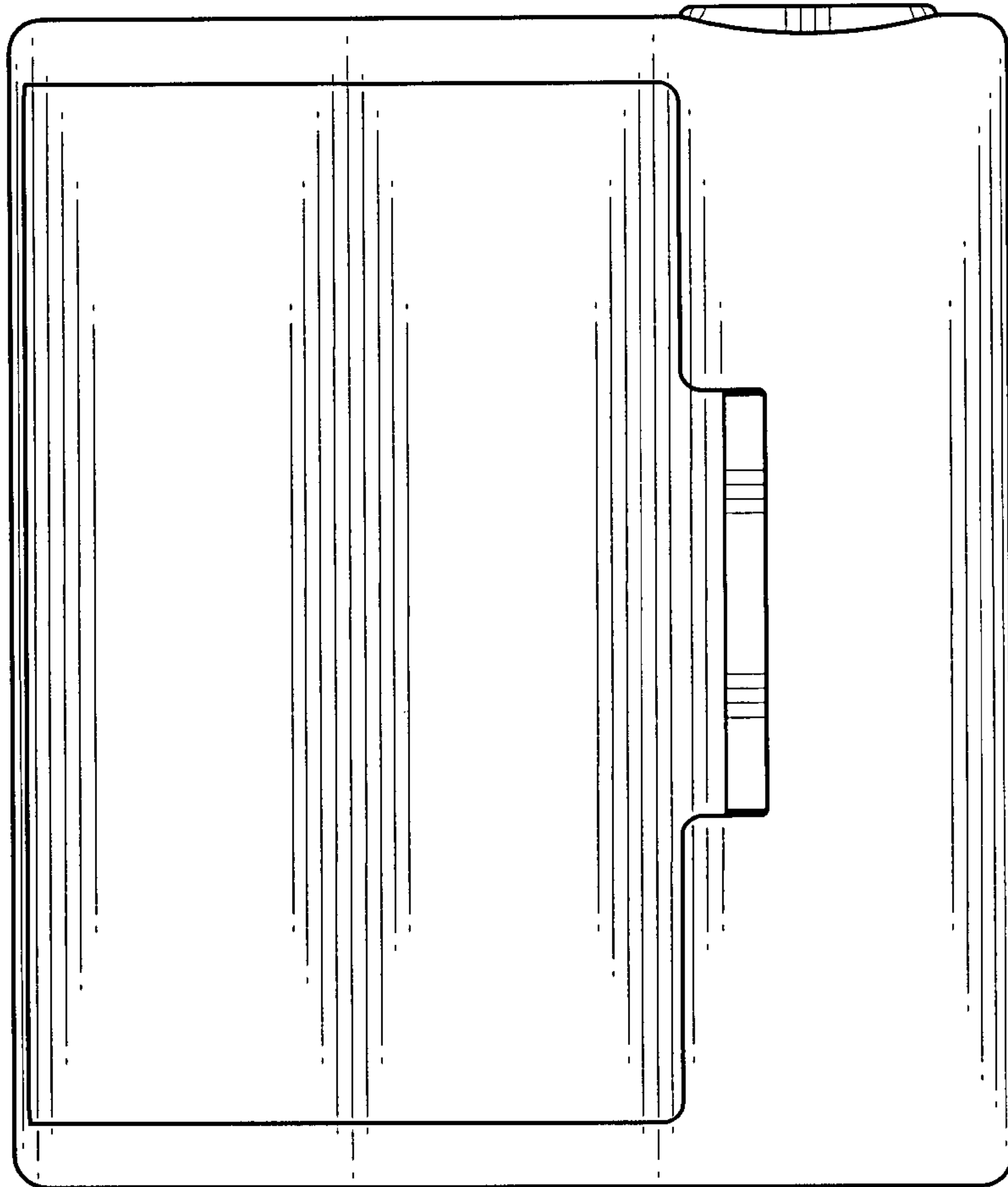


FIG.6

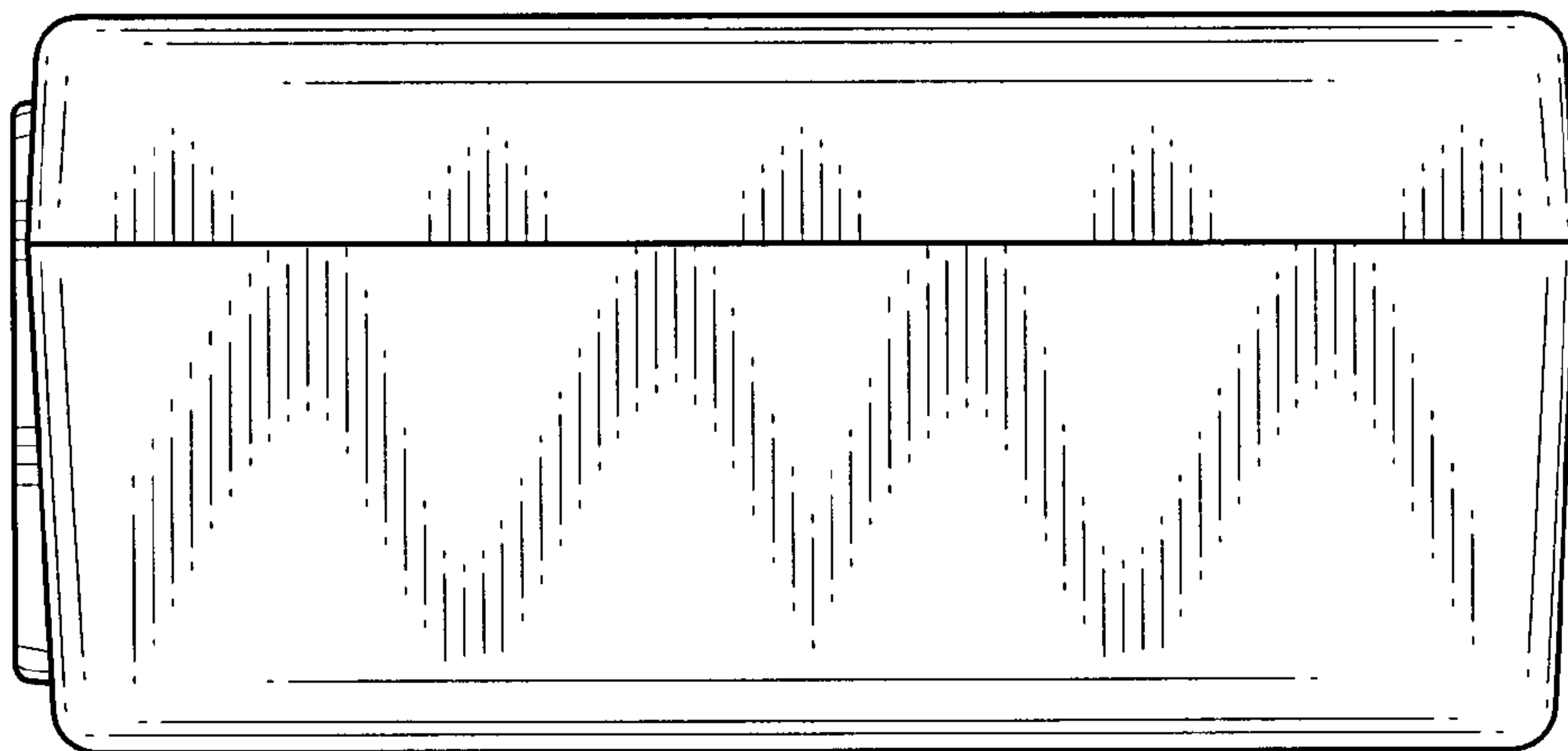


FIG.7

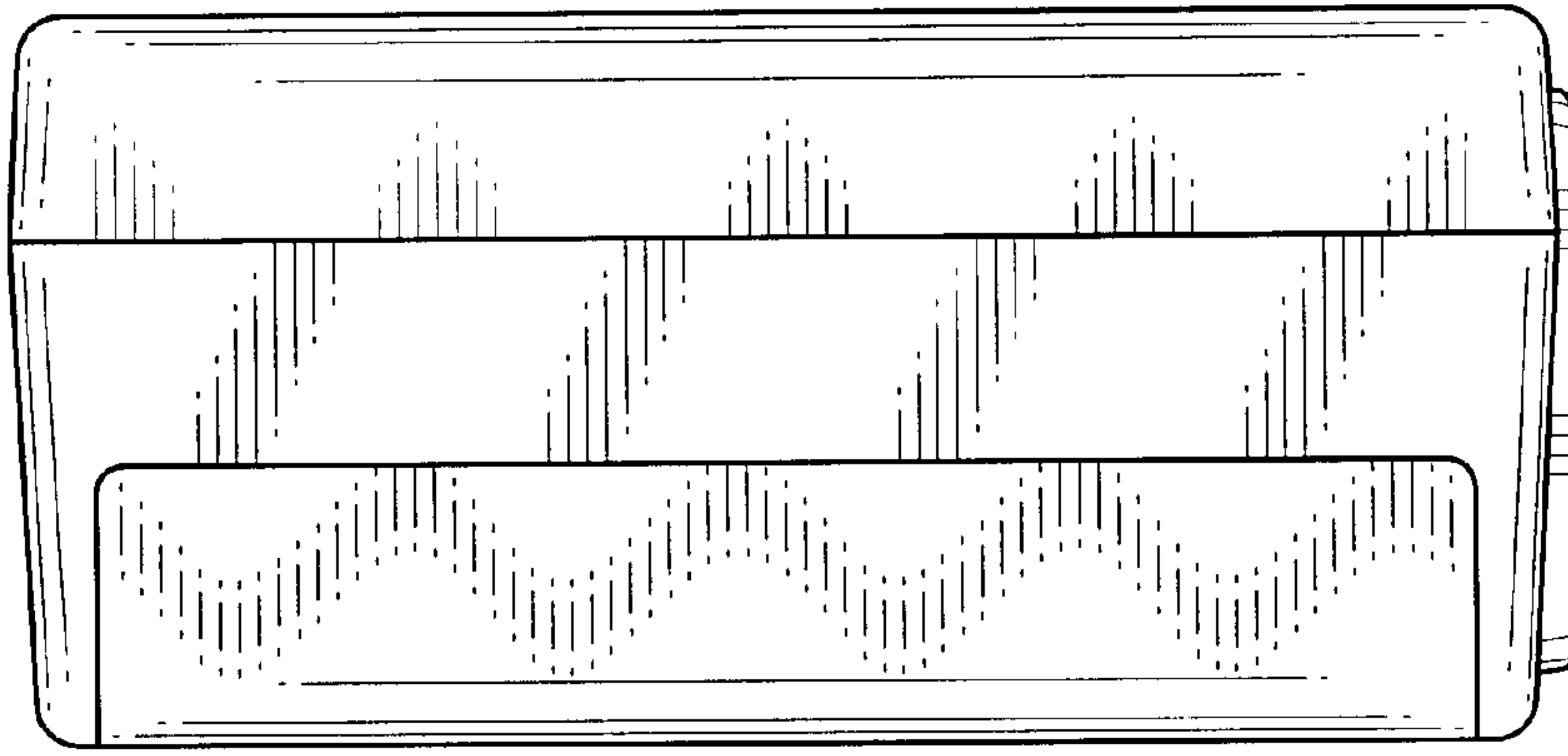


FIG.8

