



US00D519995S

(12) **United States Design Patent** (10) **Patent No.:** **US D519,995 S**
Quilling, II (45) **Date of Patent:** **** May 2, 2006**

(54) **ISO/DIN AUTO STEREO HEAD UNIT MOUNTING DEVICE WITH RADIO/CLIMATE HOUSING**

(75) Inventor: **R. Spencer Quilling, II**, Deland, FL (US)

(73) Assignee: **Metra Electronics Corporation**, Holly Hill, FL (US)

(**) Term: **14 Years**

D482,024 S	11/2003	Quilling, II et al.	D14/224
D483,027 S	12/2003	Quilling, II et al.	D14/224
D484,495 S	12/2003	Quilling, II et al.	D14/224
D485,260 S	1/2004	Quilling, II et al.	D14/224
D488,462 S	* 4/2004	Quilling et al.	D14/224
D492,287 S	* 6/2004	Quilling, II	D14/224
D492,288 S	* 6/2004	Quilling, II	D14/224
D492,668 S	* 7/2004	Quilling, II	D14/224
D496,028 S	* 9/2004	Quilling, II	D14/224
D496,354 S	* 9/2004	Quilling, II	D14/224
D497,158 S	* 10/2004	Pietras et al.	D14/257

(21) Appl. No.: **29/201,507**

(22) Filed: **Mar. 17, 2004**

(51) **LOC (8) Cl.** **14-01**

(52) **U.S. Cl.** **D14/258; D12/415**

(58) **Field of Classification Search** D14/445, D14/260.1, 258, 257, 224, 217, 198, 197, D14/196, 195, 194, 193, 192, 188, 168, 167, D14/156, 136, 191, 157; D12/415, 420; 455/344, 455/350, 347; 248/27.3, 27.1, 558
See application file for complete search history.

(56) **References Cited**

U.S. PATENT DOCUMENTS

D304,194 S	* 10/1989	Fuller et al.	D14/257
D310,370 S	* 9/1990	Repasky et al.	D14/258
D311,404 S	* 10/1990	Repasky	D14/258
5,106,039 A	4/1992	Gross	248/27.1
5,467,947 A	11/1995	Quilling, II	248/27.1
D375,043 S	* 10/1996	Biasotti et al.	D14/191
D379,459 S	* 5/1997	Biasotti et al.	D14/191
D401,591 S	11/1998	Jones, Jr.	D14/224
5,862,468 A	* 1/1999	Kim	455/321
D415,492 S	* 10/1999	Metzler	D14/188
D418,838 S	1/2000	Jones, Jr.	D14/224
D422,280 S	* 4/2000	Zeitman	D14/156
D444,074 S	* 6/2001	Duke	D10/15
D459,721 S	* 7/2002	Gonopolskaya et al. ...	D14/257
D478,903 S	* 8/2003	Metzler	D14/257
D481,378 S	10/2003	Quilling, II et al.	D14/224
D481,707 S	11/2003	Quilling, II et al.	D14/224
D481,708 S	* 11/2003	Quilling et al.	D14/224
D482,023 S	11/2003	Quilling, II et al.	D14/224

OTHER PUBLICATIONS

Honda Metra Dash Kit Jan. 12, 2005 http://www.audiowarehouse.peachhost.com/ct_PR99-7864.htm.*

Honda Dash Kit Jan. 12, 2005 http://www.autotoys.com/x/catalog/HONDA_ACCORD_20032004_T2_TOP_MOUNT_TURBO2_DASH_KIT_p_164.html.*

* cited by examiner

Primary Examiner—Joel A. Sincavage

Assistant Examiner—Austin Murphy

(74) *Attorney, Agent, or Firm*—Fitzpatrick, Cella, Harper & Scinto

(57)

CLAIM

I claim the ornamental design for an ISO/DIN auto stereo head unit mounting device with radio/climate housing, as shown and described.

DESCRIPTION

FIG. 1 is a right front perspective view of a flat-faced auto stereo head unit mounting device with a radio/climate control housing unit, showing my design;

FIG. 2 is a front elevation view of FIG. 1;

FIG. 3 is a left side elevation view of FIG. 1; the right side elevation being a mirror image thereof;

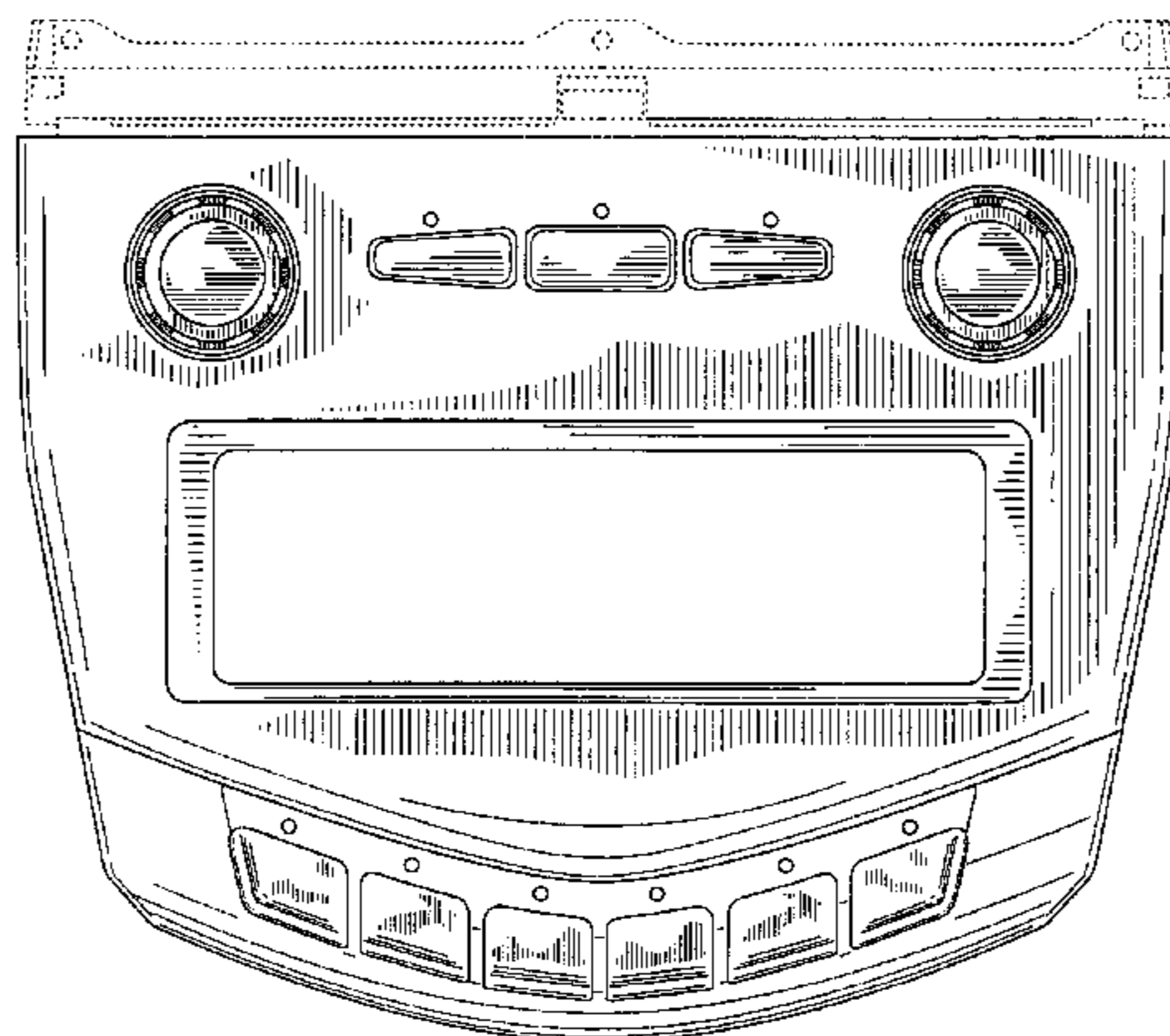
FIG. 4 is a top plan view of FIG. 1;

FIG. 5 is a bottom plan view of FIG. 1; and,

FIG. 6 is a rear elevation view of FIG. 1.

The appearance of my design for an ISO/DIN auto stereo head unit mounting device with radio/climate housing, characterized by a curved front surface with an aperture adapted to accept an ISO/DIN auto stereo head unit

1 Claim, 6 Drawing Sheets



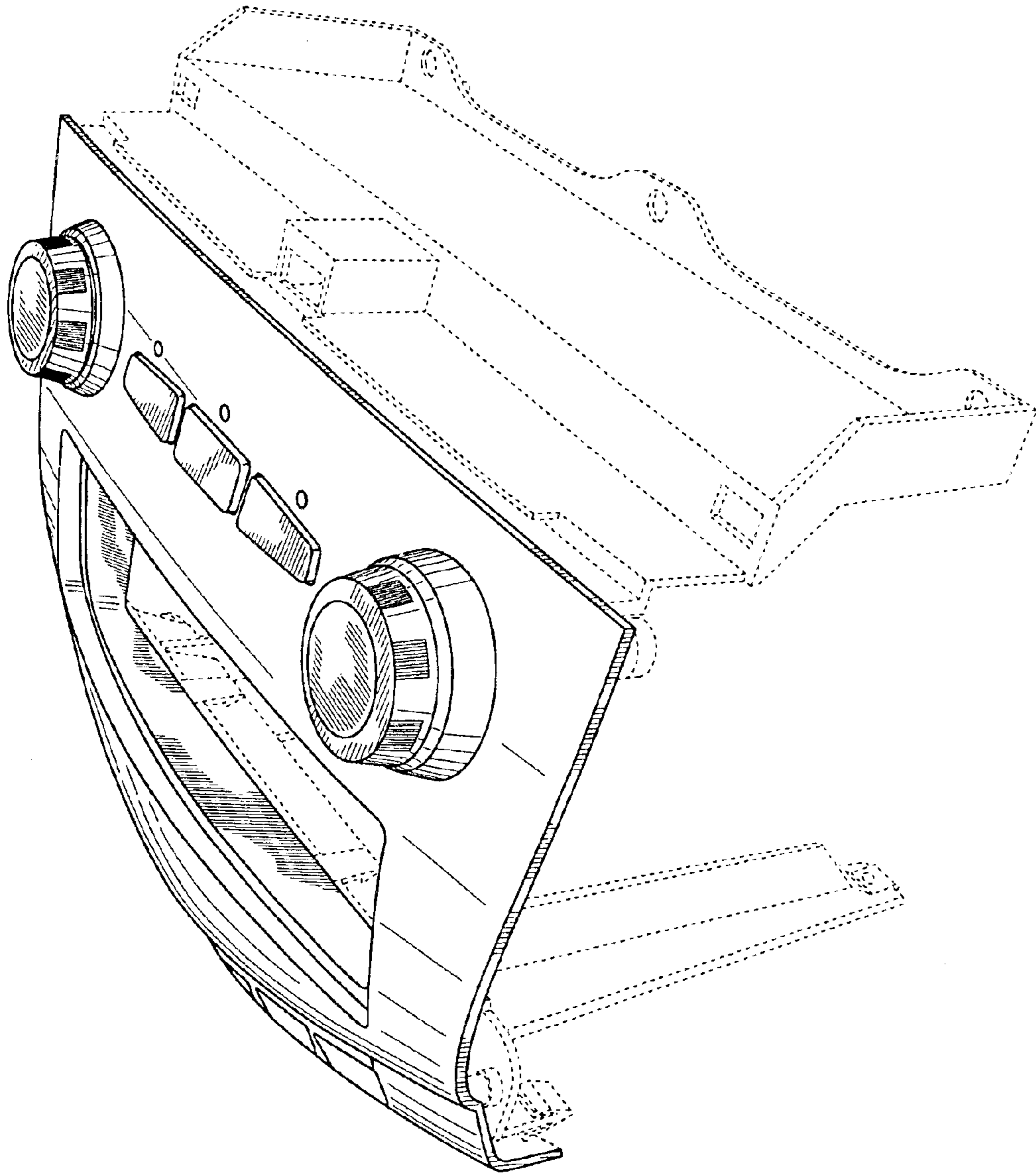


FIG. 1

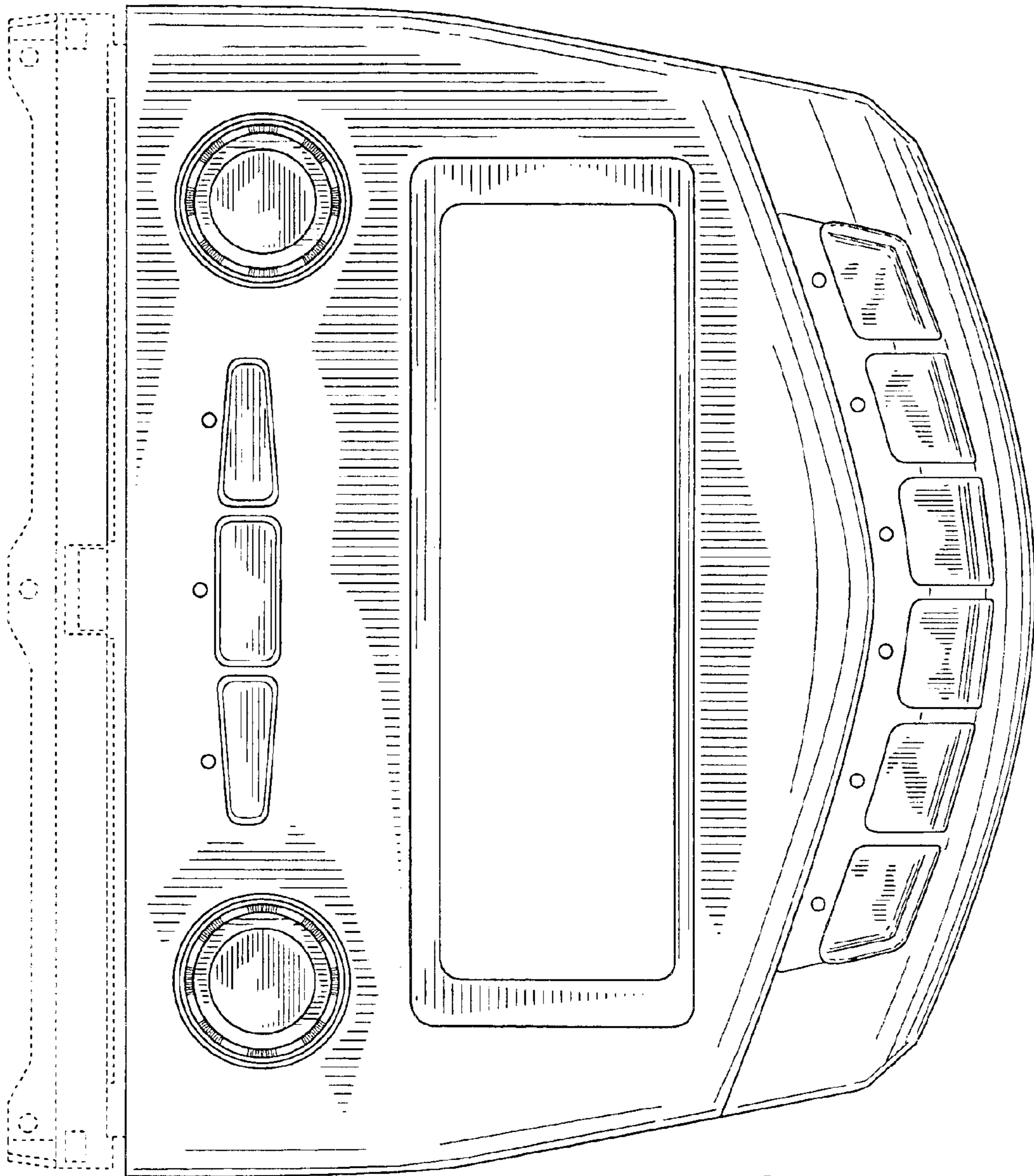
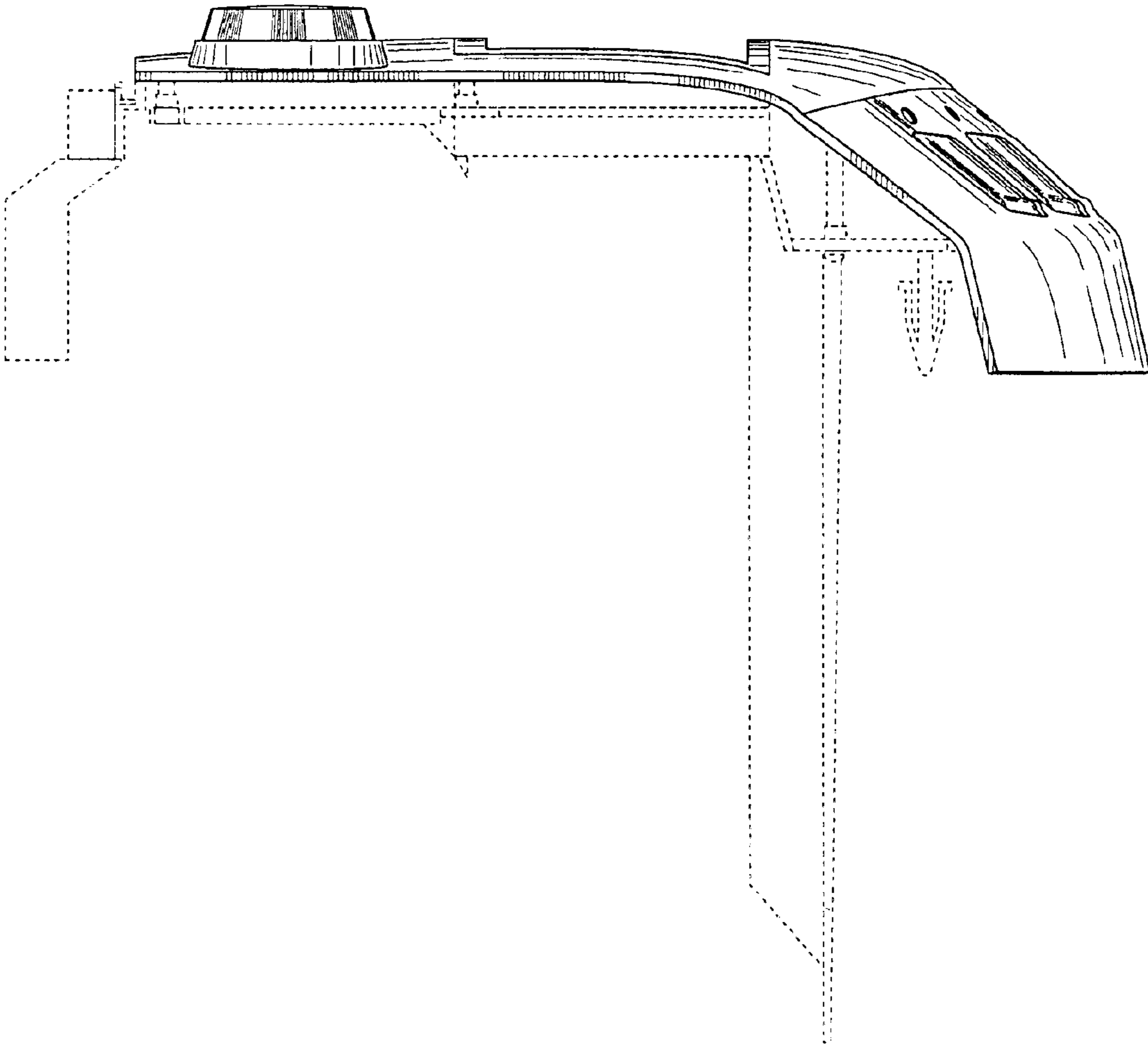


FIG. 2

FIG. 3



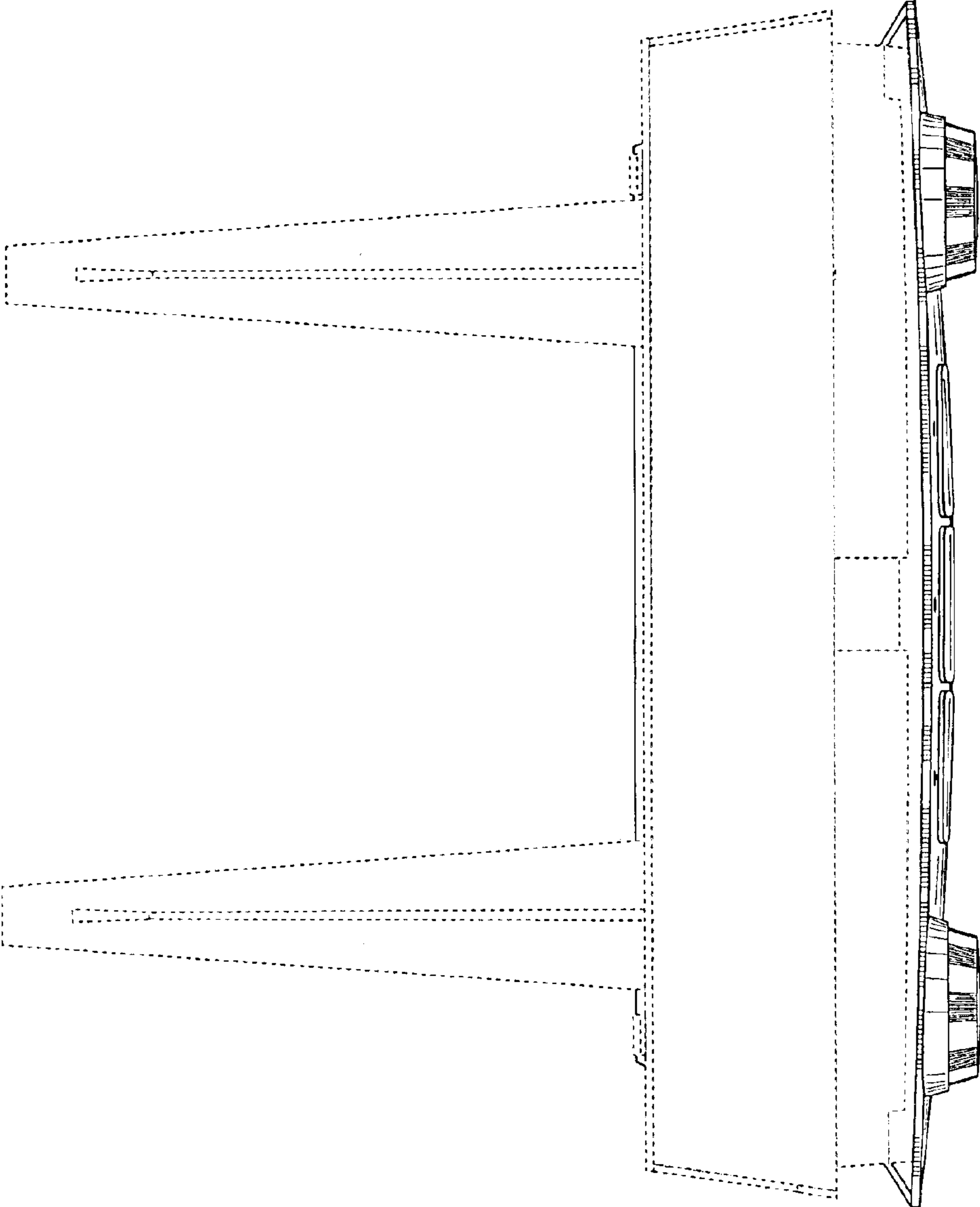


FIG. 4

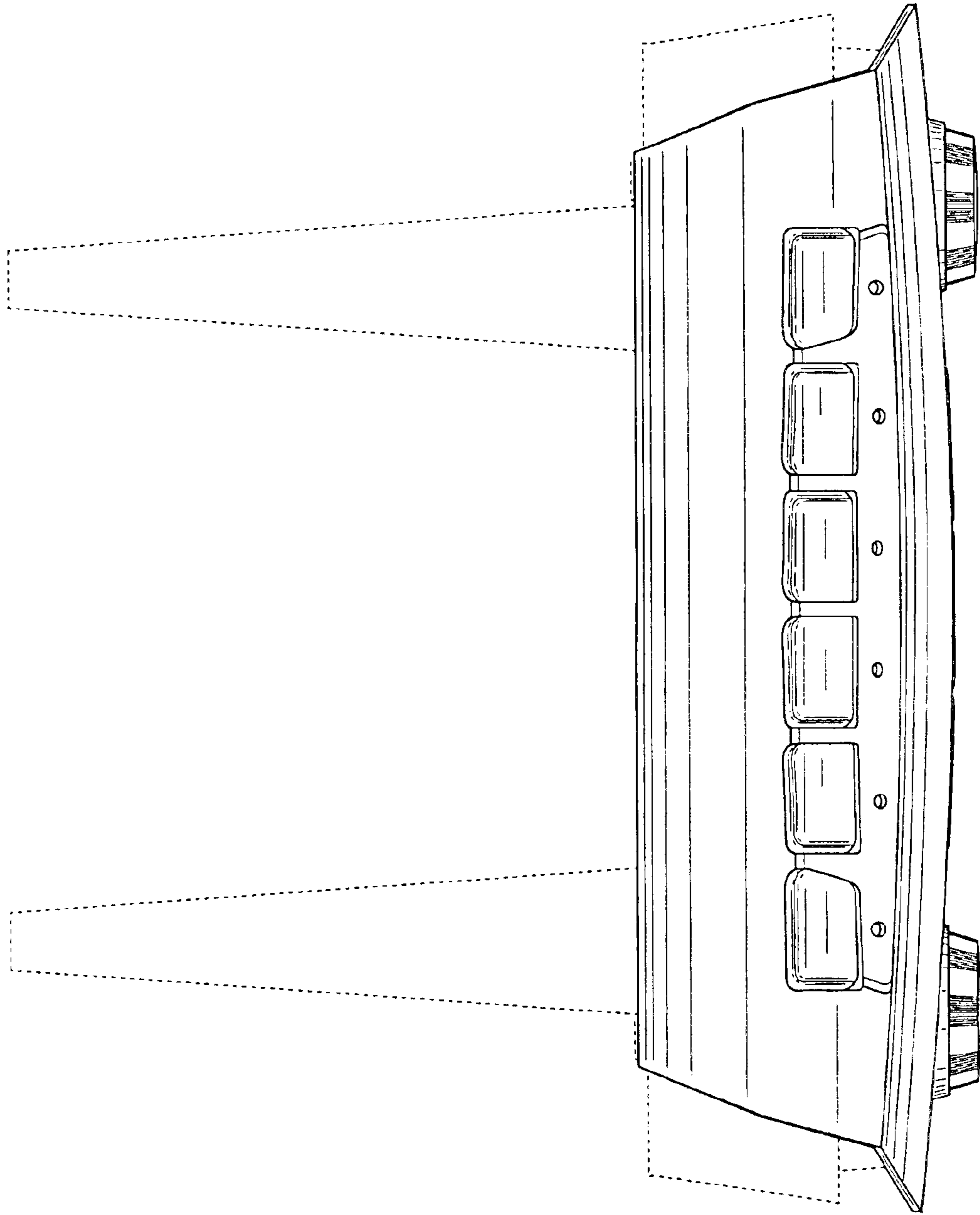


FIG. 5

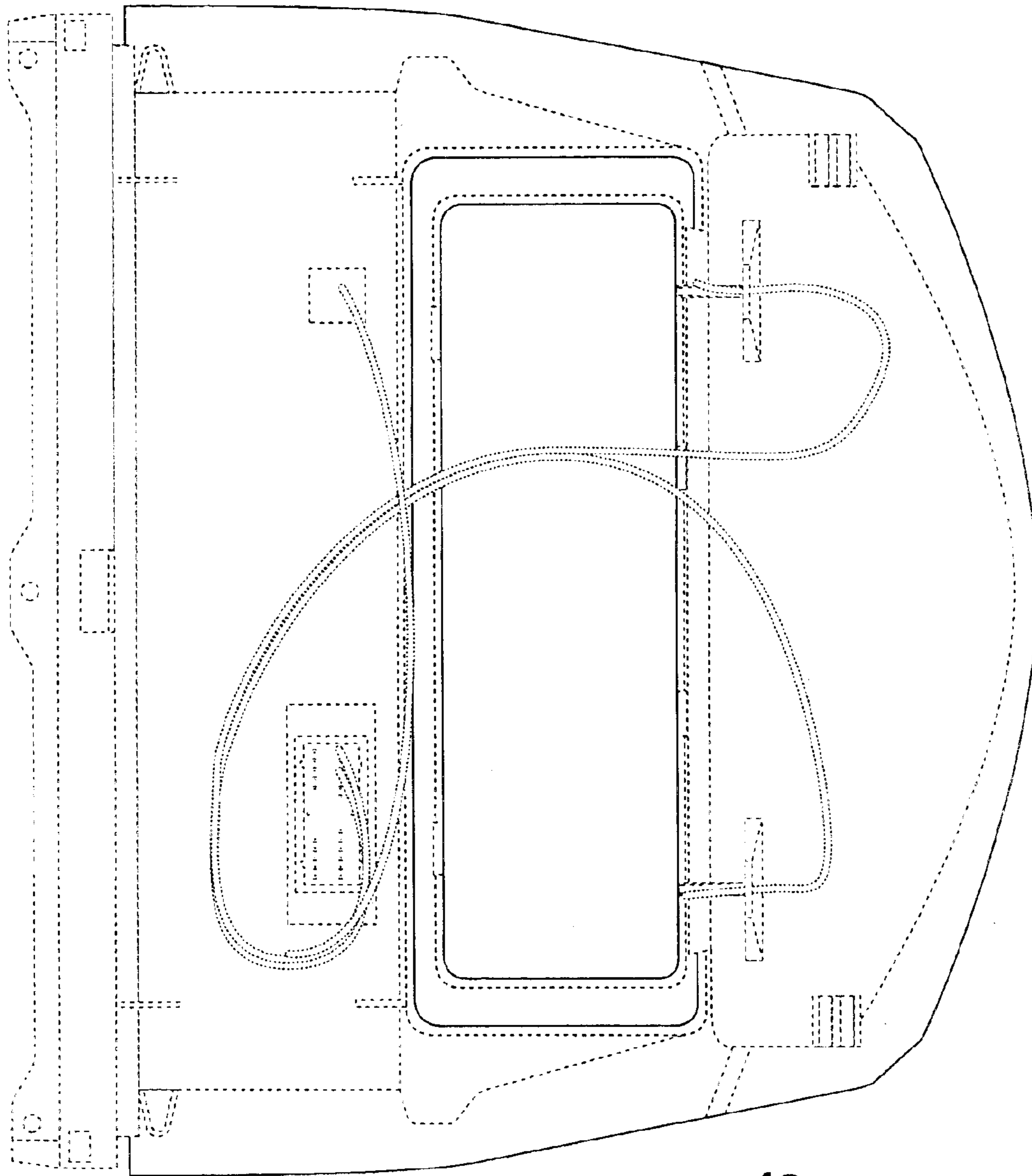


FIG. 6